

Please read the Product Safety Guide first before you set up your machine. Then, please read this Quick Setup Guide for the correct setup and installation.

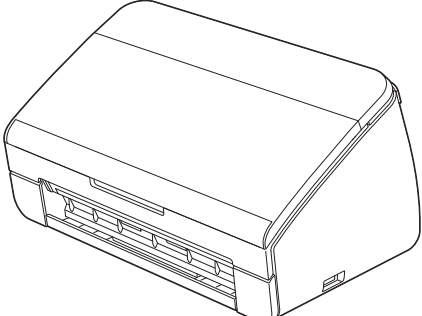
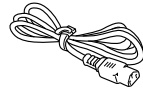

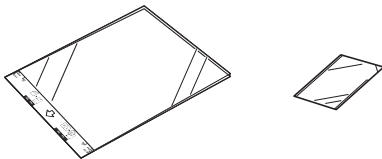
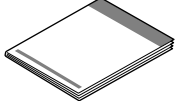


**WARNING**

WARNING indicates a potentially hazardous situation which, if not avoided, could result in death or serious injuries.

1

Unpack the machine and check the components

■ The components included in the box may differ depending on your country.

	 AC Power Cord	 USB Interface Cable
	 Carrier Sheet/ Plastic Card Carrier Sheet	 Quick Setup Guide
 Product Safety Guide	 DVD-ROM	

**WARNING**

- Plastic bags are used in the packing of your machine. To avoid danger of suffocation, keep these plastic bags away from babies and children. Plastic bags are not toys.
- Only use the power cord supplied with this product.

**Note**

- We recommend that you save the original packaging in case you must ship your machine.
- Please use the supplied USB cable if you wish to connect the machine to a computer.

USB cable

It is recommended to use a USB 2.0 cable (Type A/B) that is no more than 2 metres long.

- Remove the protective tape and film covering the machine.
- Make sure you have all the components.

2 Connect the power cord

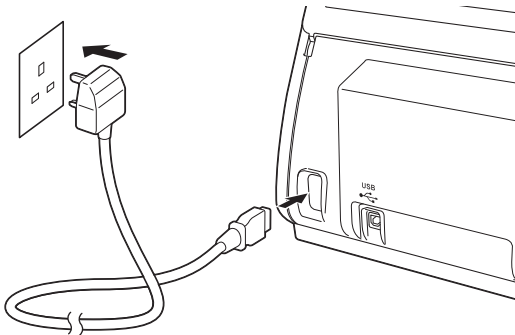
⚠ Important

DO NOT connect the USB cable yet.

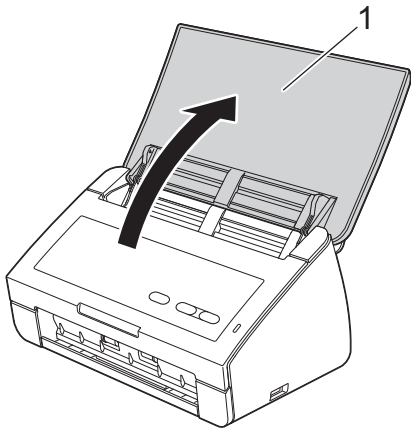
a Connect the power cord.

⚠ WARNING

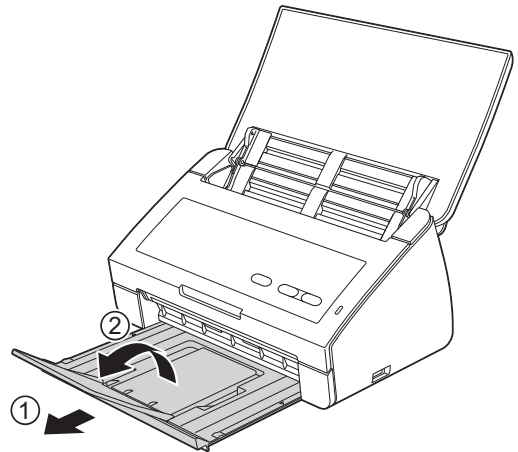
The machine must be fitted with an earthed plug.



b Open the Top Cover (1).



c Pull the Output Tray out of the machine and then unfold the Document Stopper.



For Windows® Users:

Now go to

Page 3

For Macintosh Users:

Now go to

Page 5



For USB interface users

(Windows® XP Home/XP Professional/Windows Vista®/Windows® 7)

3

Before you install

Make sure that your computer is ON and you are logged on with Administrator rights.

Important

- DO NOT connect the USB cable yet.
- If there are any programs running, close them.

Note

- The screens may differ depending on your operating system.
- The DVD-ROM includes Nuance™ PaperPort™ 12SE. This software supports Windows® XP Home (SP3 or greater), XP Professional (SP3 or greater), Windows Vista® (SP2 or greater) and Windows® 7. Update to the latest Windows® Service Pack before installing MFL-Pro Suite.

4

Install MFL-Pro Suite

a Put the supplied DVD-ROM into your DVD-ROM drive.

Note

If the Brother screen does not appear automatically, go to **Computer (My Computer)**, double-click the DVD-ROM icon, and then double-click **start.exe**.

b

The DVD-ROM Top Menu will appear. Click **Install MFL-Pro Suite** and click **Yes** if you accept the license agreements. Follow the on-screen instructions.

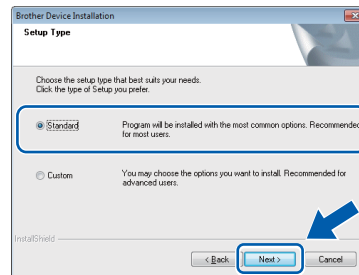


Note

For Windows Vista® and Windows® 7, when the User Account Control screen appears, click **Allow** or **Yes**.

c

Choose **Standard**, and then click **Next**. The installation continues.

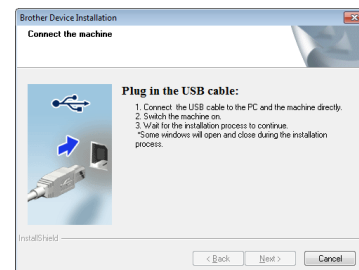


Note

For Windows Vista® and Windows® 7, when the Windows® Security screen appears, click the check box and click **Install** to complete the installation correctly.

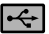
d

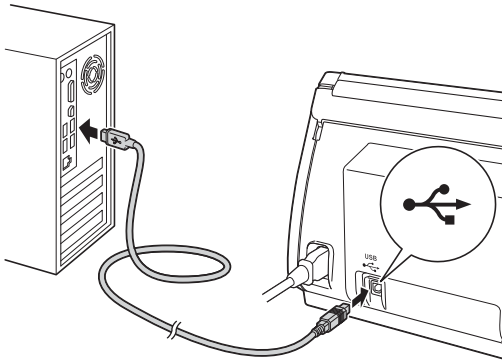
When this screen appears, go to the next step.





5 Connect the USB cable

- a Connect the USB cable to the USB port marked with a  symbol on your machine. Connect the cable to your computer.



- b The installation will continue automatically. Multiple screens will appear during the installation.

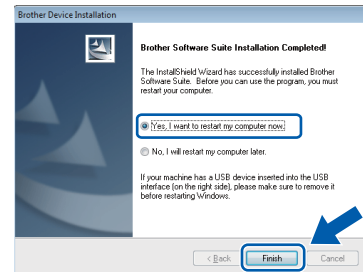
Important

DO NOT cancel any of the screens during the installation. It may take a few seconds for all screens to appear.


- c When the **On-Line Registration** screen is displayed, make your selection and follow the on-screen instructions.

6 Finish and restart

- a Click **Finish** to restart your computer. After restarting the computer, you must log on with Administrator rights.



Note

*If an error message appears during the software installation, run the **Installation Diagnostics** located in  (**Start**)/**All Programs**/Brother/**ADS-2100**.*

- b The following screens will appear.
 - When the **Software Update Setting** screen appears, choose the software update setting you want and click **OK**.
 - When the Brother Product Research & Support Program starts up, follow the on-screen instructions.

Note

Internet access is required for the software update and the Brother Product Research & Support Program.

Finish The installation is now complete.

Now go to

Proceed to Install Optional Applications on page 7.



For USB interface users (Mac OS X 10.5.8 - 10.7.x)

3 Before you install

Make sure your machine is connected to the power and your Macintosh is ON. You must be logged on with Administrator rights.


Note

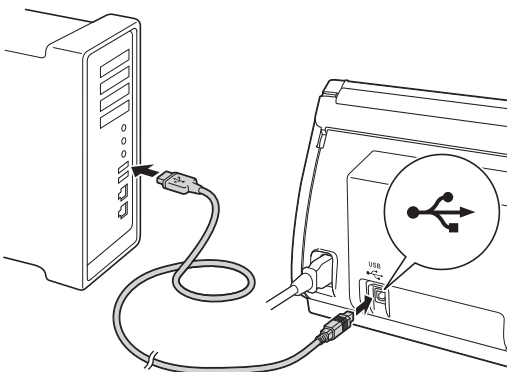
For Mac OS X 10.5.0 to 10.5.7 users, upgrade to Mac OS X 10.5.8 - 10.7.x before installation.

4 Connect the USB cable

Important

- DO NOT connect the machine to a USB port on a keyboard or a USB hub.
- Connect the machine directly to your Macintosh.

- a** Connect the USB cable to the USB port marked with a  symbol on your machine. Connect the cable to your computer.

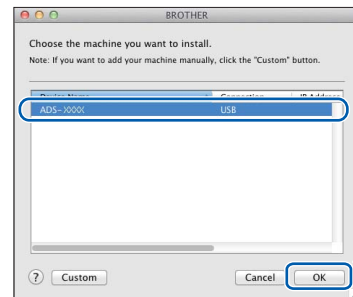


5 Install MFL-Pro Suite

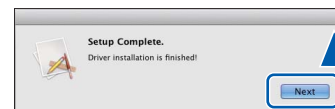
- a** Put the supplied installer DVD-ROM into your DVD-ROM drive.
- b** Double-click the **Start Here OSX** icon to install.



- c** Please follow the on-screen instructions. After the installation, the Brother software will search for the Brother device. This will take a few moments to complete.
- d** Choose your machine from the list, and then click **OK**.



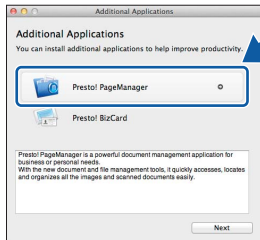
- e** When this screen appears, click **Next**.



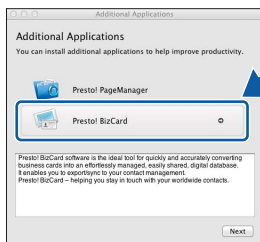


6 Install Presto! PageManager and Presto! BizCard

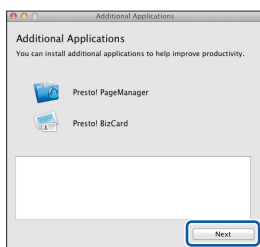
- a** Click **Presto! PageManager** and follow the on-screen instructions.



- b** Click **Presto! BizCard** and follow the on-screen instructions.



- c** Click **Next**.



- d** Click **Close**.



Finish

The installation is now complete.

1 Install optional applications

Nuance PDF Converter Professional 7

Nuance PDF Converter Professional 7 offers a variety of features for handling PDF files. It can unlock and open PDF files for viewing, editing, annotation and re-assembly.

Enter the Nuance serial number that is shown on the sleeve of the MFL-Pro Suite DVD-ROM package when installing Nuance PDF Converter Professional 7.

NewSoft Presto! BizCard 6

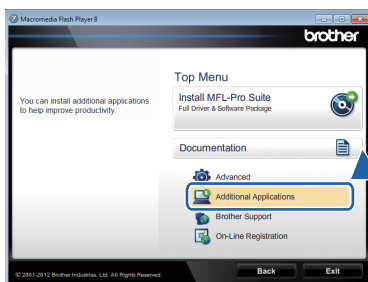
Presto! BizCard lets you manage the information from scanned business cards, such as names, companies, mailing addresses, phone/fax numbers and e-mail addresses, on your computer. Simply scan, or import your business cards and Presto! BizCard automatically saves the data and image for each card. Different viewing modes are available for easy searching, editing, creating, and sorting.



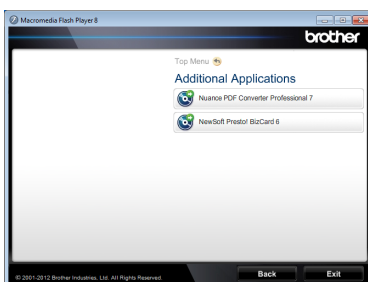
Note

Make sure you are logged on with Administrator rights.

- a Open the top menu again by ejecting and then reinserting the DVD-ROM or by double-clicking the **start.exe** program.
- b The DVD-ROM Top Menu will appear. Click **Additional Applications**.



- c Click the button for the application you want to install.



- d Go back to the **Additional Applications** screen to install more applications.

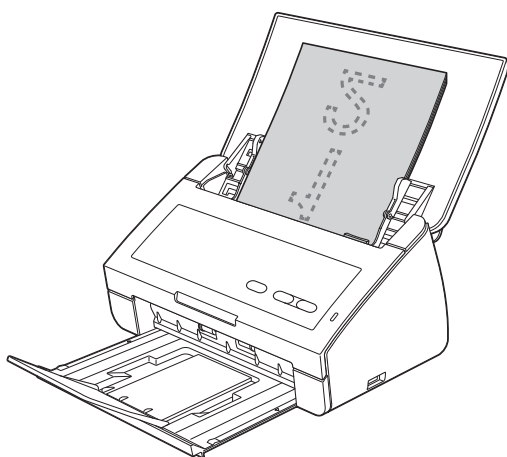
1

Scanning a document

You can scan and save documents as PDF files using the Scan to File feature.

To scan documents and configure various settings, please ensure you have installed the driver and connected the machine to your computer by following the instructions in this guide.

- a** Confirm that the machine is connected to your computer via USB.
- b** Load your document.



- c** Press the **Scan to PC** key. The machine starts to feed and scan your document.

The scanned data is saved in PDF format on the computer that is connected to the machine via the USB cable.


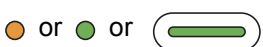



Note

- You can change Scan to PC settings, such as the saved file format, using ControlCenter. For details, see the User's Guide on the DVD-ROM.
- You can use ControlCenter or the scanner driver to initiate scanning from the computer, as well as save scanned data onto a USB flash memory drive connected to the machine. For details, see the User's Guide on the DVD-ROM.

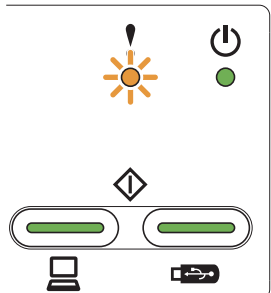
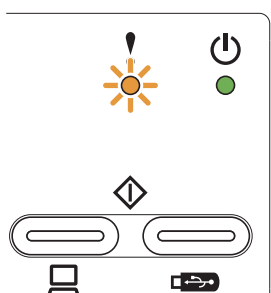

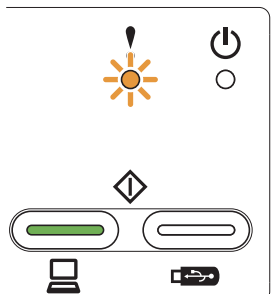
LED Indications

The LED indications shown in the table below are used in the illustrations in this chapter.

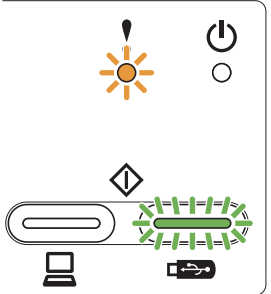
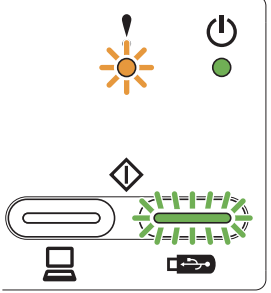
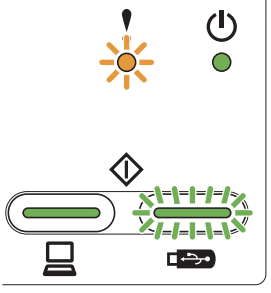
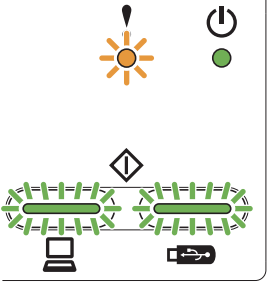
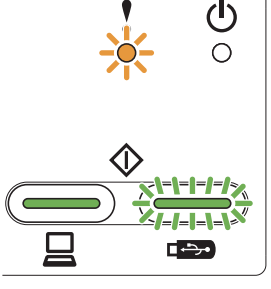
	The LED is off.
	The LED is on.
	The LED is blinking.

 **Note**

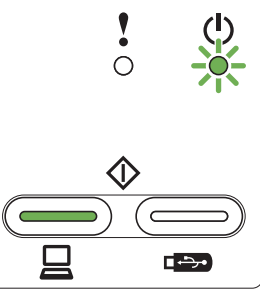
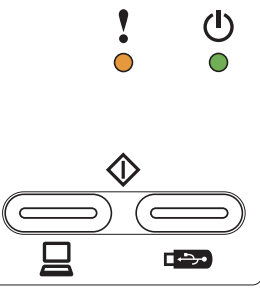
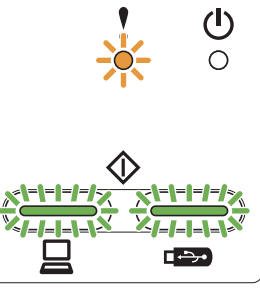
Refer to the User's Guide for more details and the other LED Indications.

	<p>Document Jam</p> <p>Clear the document jam and then do the following:</p> <ul style="list-style-type: none"> ■ Load the card vertically when scanning cards. ■ Select Long Paper (Normal Width) or Long Paper (Narrow Width) from the Scan Size or Document Size drop-down list when scanning a long document.
	<p>Multifeed Detection</p> <p>Multiple pages have fed at the same time. Press any key and then do the following:</p> <ul style="list-style-type: none"> ■ Uncheck the Multifeed Detection check box when scanning business cards. ■ Check the Plastic Card Mode check box when scanning a plastic card. ■ Check the Carrier Sheet Mode check box when scanning using the Carrier Sheet. <p>Confirm that the data scanned before the multifeed occurred has been saved, and start scanning again from the next page or from the beginning.</p> <p> Note</p> <p><i>The data scanned before the multifeed occurred is not saved when scanning using the Scan to USB key on the control panel unless the file type is JPEG.</i></p>
	<p>Front Cover is Open</p> <p>Close the Front Cover of the machine.</p>

LED Indications

	<p>Storage Full</p> <p>The connected USB flash memory drive is full. Press any key and then do one of the following:</p> <ul style="list-style-type: none">■ Delete unused files or folders from the USB flash memory drive and then try again.■ Use a USB flash memory drive that has available space.
	<p>Protected Device</p> <p>The connected USB flash memory drive is write-protected. Disconnect the protected USB flash memory drive, press any key and then do one of the following:</p> <ul style="list-style-type: none">■ Turn off the USB flash memory drive's write-protection and then try again.■ Use a USB flash memory drive that has write-protection turned off.
	<p>Unsupported Device</p> <p>Disconnect the unsupported USB device such as a mobile device, which does not support USB flash memory drive mode, from the USB port.</p>
	<p>Hub is Unusable</p> <p>A Hub or USB flash memory drive with a Hub has been connected to the USB direct interface. Disconnect any unsupported devices, such as a USB hub or a USB flash memory drive that contains a hub.</p>
	<p>Access Error</p> <p>The USB flash memory drive was disconnected when being accessed. Press any key.</p>

LED Indications

	<p>Remote Setup</p> <p>Remote Setup is in process. To cancel Remote Setup, click the Cancel button in the Remote Setup window on your computer.</p>
	<p>All Blank Page Skipped</p> <p>All scanned pages were skipped as blank pages. Press any key and then do one of the following:</p> <ul style="list-style-type: none">■ Place your document, face down, top edge first in the document feeder.■ Set Blank Page Skip to off.
	<p>Unusable Device</p> <p>Disconnect the unusable device from the USB port. Turn the machine off and then on by unplugging the power cord from the electrical socket and then plugging it back in again.</p>

Trademarks

The Brother logo is a registered trademark of Brother Industries, Ltd.

Brother is a registered trademark of Brother Industries, Ltd.

Windows Vista is either a registered trademark or trademark of Microsoft Corporation in the United States and/or other countries.

Windows and Windows Server are registered trademarks of Microsoft Corporation in the United States and/or other countries.

Macintosh and Mac OS are trademarks of Apple Inc., registered in the United States and other countries.

Nuance, the Nuance logo, PaperPort and ScanSoft are trademarks or registered trademarks of Nuance Communications, Inc. or its affiliates in the United States and/or other countries.

Each company whose software title is mentioned in this manual has a Software License Agreement specific to its proprietary programs.

Any trade names and product names of companies appearing on Brother products, related documents and any other materials are all trademarks or registered trademarks of those respective companies.

Compilation and Publication

Under the supervision of Brother Industries, Ltd., this manual has been compiled and published, covering the latest product descriptions and specifications.

The contents of this manual and the specifications of this product are subject to change without notice.

Brother reserves the right to make changes without notice in the specifications and materials contained herein and shall not be responsible for any damages (including consequential) caused by reliance on the materials presented, including but not limited to typographical and other errors relating to the publication.

Copyright and License

©2012 Brother Industries, Ltd. All rights reserved.