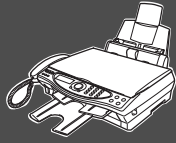


Before you can use the MFC, you must set up the hardware and install the driver. Please read this "Quick Setup Guide" for proper set up and installation instructions.

Step 1



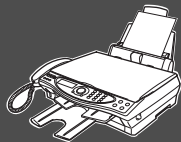
Setting Up the MFC



Step 2



Installing the Driver & Software



Setup is Complete!

For the latest driver and to find the best solution for your problem or question, access the Brother Solutions Center directly from the driver or go to <http://solutions.brother.com>  
Keep this "Quick Setup Guide", User's Guide and supplied CD-ROM in a convenient place for quick and easy reference at all times.

Setting Up  
the MFC

Windows®

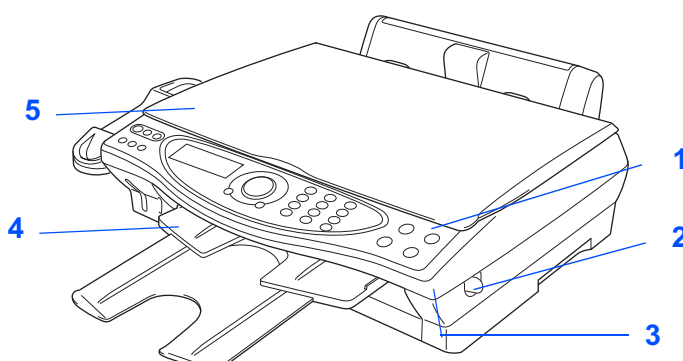
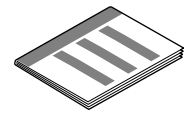

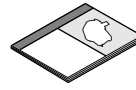

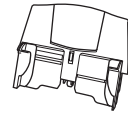

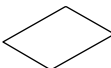
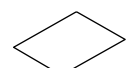

Installing the Driver & Software

Mac® OS  
8.6-9.2

Mac® OS X  
10.1/10.2.1 or greater

# Getting Started

## Carton Components

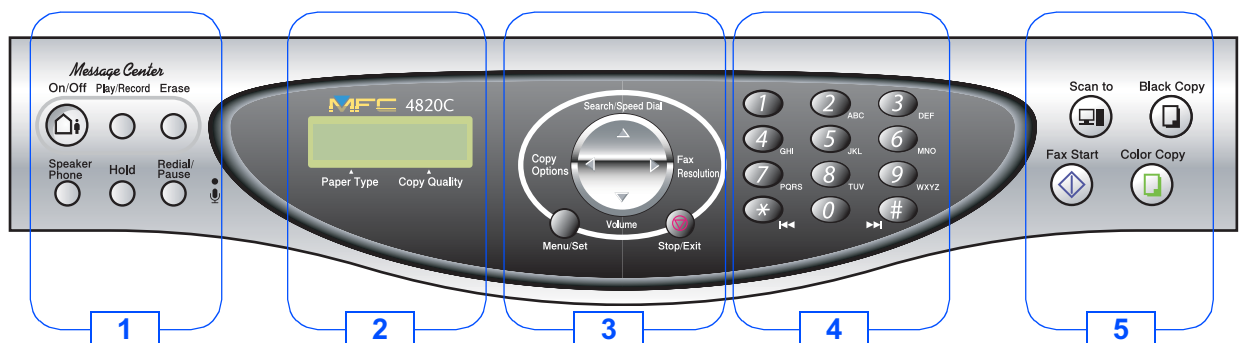
 <p><b>MFC</b></p> <p>1. Control Panel 2. Scanner Cover Release Lever 3. Scanner Cover</p> <p>4. Output Paper Support 5. Document Cover</p>		 <p><b>Quick Setup Guide</b></p>
		 <p><b>CD-ROM</b></p>
		 <p><b>User's Guide</b></p>
 <p><b>Telephone Handset</b></p>	 <p><b>Paper Tray</b></p>	 <p><b>Ink Cartridges (Black, Cyan, Yellow, Magenta)</b></p>
 <p><b>Test Sheet (USA only)</b></p>	 <p><b>Accessory Order Form</b></p>	 <p><b>Telephone Line Cord</b></p>

Carton components may differ from one country to another.  
Save all packing materials and the carton.



- You must use the appropriate USB cable.
- The interface cable is not a standard accessory. Please purchase an appropriate USB interface cable.
- Use only a USB interface cable that is no longer than 6 feet long (2 meters).

## Control Panel



<b>1. Telephone and Message Center keys</b>	<b>2. Liquid Crystal Display (LCD)</b>	<b>4. Dial Pad</b>
	<b>3. Navigation keys</b>	<b>5. Scan, Fax and Copy keys</b>



For the details of the control panel, see "MFC-4820C Control Panel Overview" in Chapter 1 of the User's Guide.

# Table of Contents





## Step 1 Setting Up the MFC

1. Removing the Protective Parts .....	2
2. Attaching the Paper Tray.....	2
3. Loading Paper .....	2
4. Installing the Handset.....	3
5. Install Phone Line and Power Cord .....	3
6. Installing the Ink Cartridges .....	4
7. Color Block Quality and Alignment Check .....	6
8. Setting the LCD Contrast .....	7
9. Selecting a Receive Mode .....	8
10. Setting Up the Message Center .....	8
11. Setting a Date and Time .....	9
12. Setting Your Station ID .....	9
13. Selecting Your Language (Canada Only).....	10
14. Sending in the Product Registration and Test Sheet (USA Only) .....	10

## Step 2 Installing the Driver & Software

Windows®	Supplied CD-ROM (MFC Software Suite) .....	12
	For Windows® 98/98SE/Me/2000 Professional/XP Users.....	14
	■ For Windows® 98/98SE/Me Users Only .....	17
	■ For Windows® 2000 Professional Users Only.....	19
	■ For Windows® XP Users Only .....	20

Macintosh®	For Mac® OS 8.6 - 9.2 Users .....	22
	For Mac® OS X 10.1 / 10.2.1 or greater Users .....	24

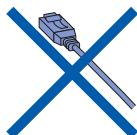
 <p><b>Warning</b></p>	 <p><b>Hint</b></p>	 <p><b>Hint</b></p>	 <p><b>User's Guide</b></p>
<p>Indicates warnings that must be observed to prevent possible personal injury.</p>	<p>Indicates cautions that must be observed to use the MFC properly or prevent damage to the MFC.</p>	<p>Indicates notes and useful tips to remember when using the MFC.</p>	<p>Indicates reference to the User's Guide.</p>

## 1 Removing the Protective Parts

- 1 Remove the protective tape.

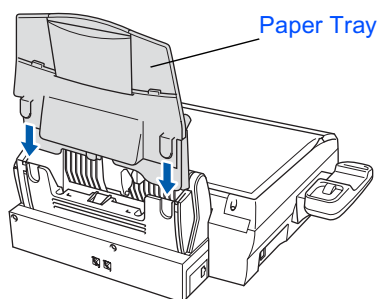


**Do NOT connect the USB cable.**  
Connecting the USB cable is done when installing the driver.



## 2 Attaching the Paper Tray

- 1 Insert the paper tray from above into the back of the MFC.

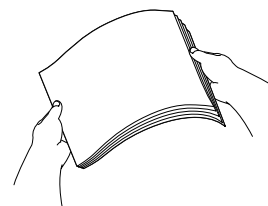


## 3 Loading Paper

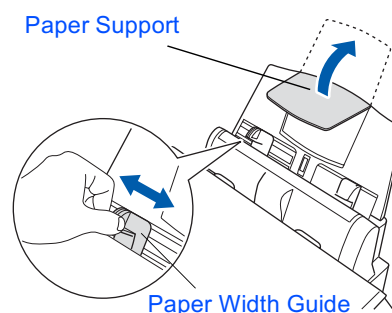


You can load up to 100 sheets of 20 lb (75 g/m<sup>2</sup>) paper.  
For more details, see "Paper Capacity of the Paper Tray" in Chapter 2 of the User's Guide.

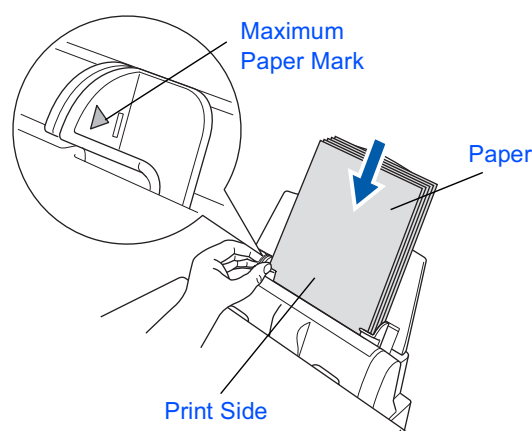
- 1 Fan the stack of paper well to avoid paper jams and misfeeds.



- 2 Unfold the paper support and then press and slide the paper guide to fit the paper width.

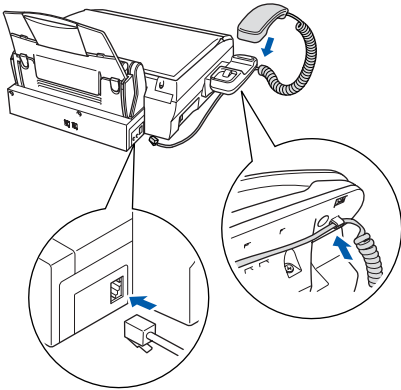


- 3 Gently insert the paper. Make sure the print side is towards you and the paper is below the maximum paper mark.

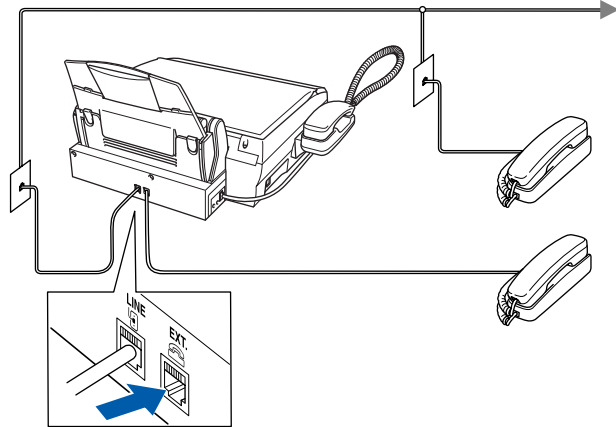


## 4 Installing the Handset

- 1 Connect the curled handset cord to the MFC and the other end to the handset.



If you are sharing one phone line with an external telephone, connect it as shown below.



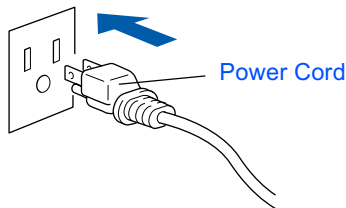
If you are sharing one phone line with an external telephone answering machine, connect it as shown below.



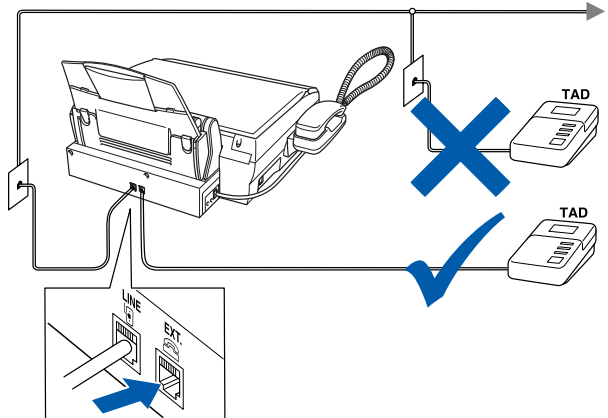
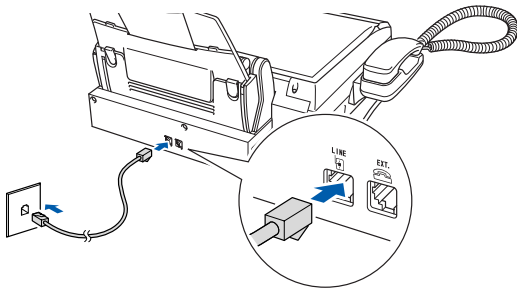
Please select Receive Mode to MANUAL if you have an external answering machine. For more details, see "Connecting the MFC" in Chapter 1 of the User's Guide.

## 5 Install Phone Line and Power Cord

- 1 Connect the power cord.



- 2 Connect the telephone line cord. Connect one end of the telephone line cord to the jack on the MFC marked **LINE** and the other end to a modular wall jack.



Do not connect the USB cable yet.

### Warning

- The MFC must be grounded using a 3-prong plug.
- Since the MFC is grounded through the power outlet, you can protect yourself from potentially hazardous electrical conditions on the telephone network by keeping the power to your MFC on when you connect it to a telephone line. Similarly, you can protect yourself when you want to move your MFC by disconnecting the telephone line first and then the power cord.

Windows®

Mac® OS  
8.6-9.2

Mac® OS X  
10.1/10.2.1 or greater

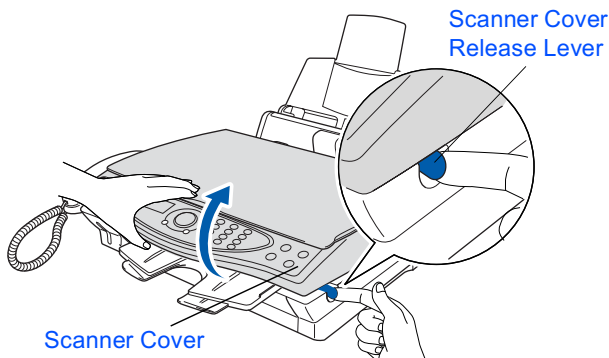
## 6

### Installing the Ink Cartridges

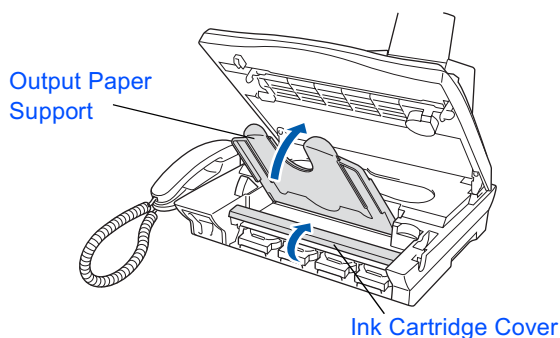
- 1 Make sure that the power is turned on. The LCD shows;

CHECK CARTRIDGE  
Open cover, then...

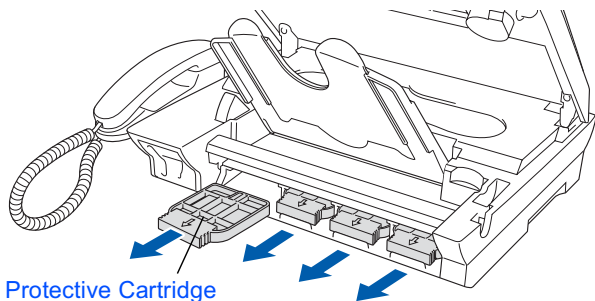
- 2 Pull the scanner cover release lever to open the scanner cover and lift it to the opening position.



- 3 Lift the output paper support and ink cartridge cover.



- 4 Remove the yellow plastic protective cartridges.

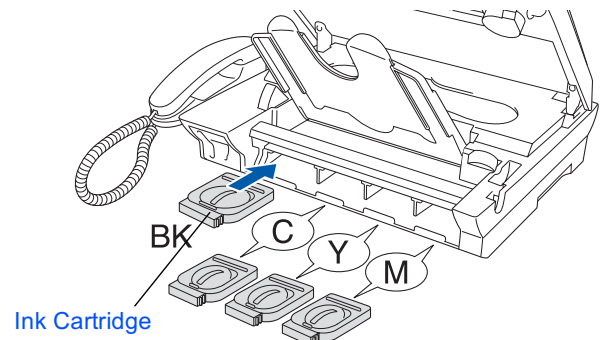


Do not throw away the yellow plastic protective cartridges. You will need them in the future to transport the machine.

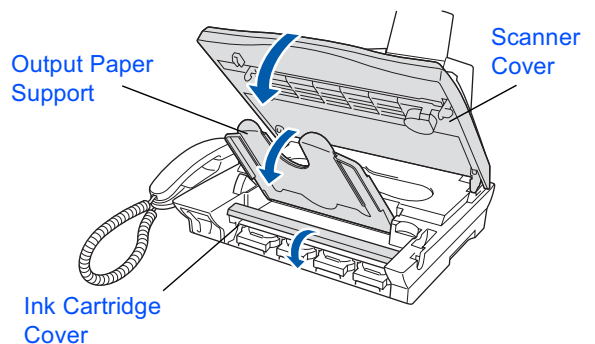
- 5 Insert the ink cartridges into the slot for each color until it clicks.



• DO not peel any film off the cartridge.



- 6 Close the ink cartridge cover, the output paper support and the scanner cover. When the MFC is setup for the first time, the machine will prepare the Brother unique ink tube system for use for the first time. This process will occur only once, the first time ink cartridges are installed. The preparation process will last up to four minutes.



PREPARING SYSTEM  
APPROX 4 MINUTES

PREPARING SYSTEM  
PLEASE WAIT



- **DO NOT** remove ink cartridges if you do not need to replace them. If you do so, it may reduce the ink quantity and the MFC will not know the quantity of ink left in the cartridge.
- **DO NOT** shake the ink cartridges. If ink stains your body or clothing, wash with soap or detergent immediately.
- Brother strongly recommends that you do not refill the ink cartridges provided with your machine. We also strongly recommend that you continue to use only Genuine Brother Brand replacement ink cartridges. Using or attempting to use potentially incompatible inks and/or cartridges in your machine may cause damage to the machine itself and/or it may result in unsatisfactory print quality. Our warranty coverage does not apply to any problem that was caused by the use of unauthorized third party ink and/or cartridges. To protect your investment and guarantee your print quality please continue to replace consumed ink cartridges with only Genuine Brother Branded Supplies.
- **DO NOT** insert and remove the cartridges repeatedly. If you do so, the ink may seep out of the cartridge.



*If you mix the colors by installing an ink cartridge in the wrong position, you must clean the print head by running several cleaning cycles after correcting the cartridge installation. (See “Cleaning the print head” on page 23-9 of the User’s Guide.)*

Windows®

Mac® OS  
8.6-9.2Mac® OS X  
10.1/10.2.1 or greater

## 7 Color Block Quality and Alignment Check

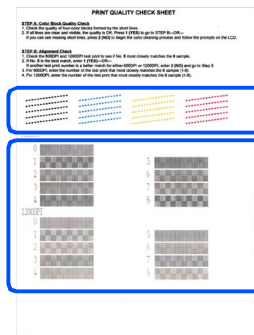
- 1 After the cleaning cycle is finished, the LCD shows;

SET PAPER AND  
PRESS FAX START

- 2 Make sure the paper is loaded in the paper tray.

Press the **Fax Start** key.

- 3 The MFC starts printing the PRINT QUALITY CHECK SHEET (only during initial ink cartridge installation).



Check in **Step A**

Check in **Step B**

### Step A: Color Block Quality Check

- 1 The LCD shows:

IS STEP "A" OK?  
1. YES 2. NO

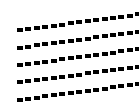
Check the quality of the four color blocks formed by the short lines printed on the sheet.  
(BLACK/CYAN/YELLOW/MAGENTA)

- 2 If all lines are clear and visible, press the **1** key on the dial pad to go to **STEP B: Alignment Check.**

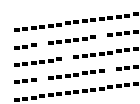
---OR---

If you can see missing short lines, press the **2** key on the dial pad and go to **3**.

OK



Poor



- 3 The LCD asks you if the print quality is OK for each color. Press the **1** key or **2** key on the dial pad.

BLACK OK?  
1. YES 2. NO

When you have finished selecting the **1** key (YES) or the **2** key (NO) for each color, the LCD shows:

START CLEANING?  
1. YES 2. NO

Press the **1** key (YES), and then MFC starts cleaning the colors.

After cleaning is finished, press the **Fax Start** key. The MFC starts printing the PRINT QUALITY CHECK SHEET again and goes back to the first step of STEP A.

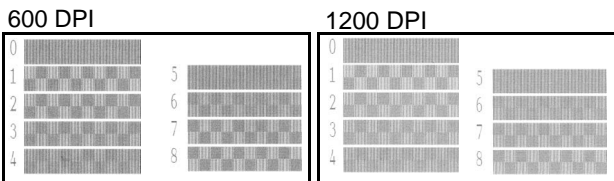
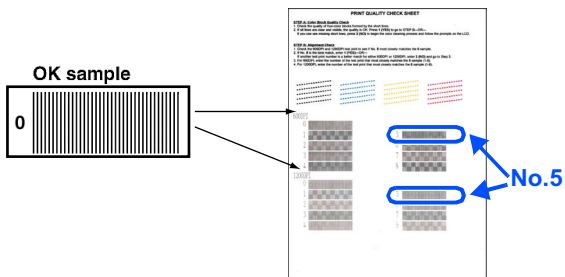


## Step B: Alignment Check

- 1 The LCD shows:

```
IS STEP "B" OK?
1.YES 2.NO
```

Check the 600 DPI and 1200 DPI test print to see if **No.5** most closely matches the OK sample (**No.0**). Press the **1** key if **No.5** matches it.



If another test print number is a better match for either 600 DPI or 1200 DPI, press the **2** key to select NO and go to **2**.

- 2 For 600 DPI, select the number from 1 to 8 that most closely matches the **No.0** sample and enter it using the dial pad.

```
600DPI ADJUST
SELECT BEST #
```

- 3 For 1200 DPI, enter the number from 1 to 8 that most closely matches the **No.0** sample.

```
1200DPI ADJUST
SELECT BEST #
```

The Quality check is now complete.

You can adjust the LCD contrast for a sharper and more vivid display. If you are having difficulty seeing the LCD from your position, we recommend the following contrast settings for improved viewing.

- 1 Press **Menu/Set**, **1**, **7**.

```
GENERAL SETUP
7.LCD CONTRAST
```

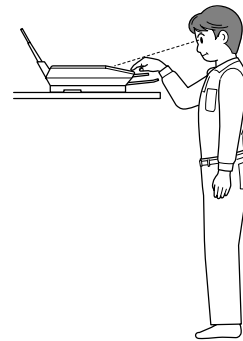
- 2 Press **▲** to increase the contrast.  
---OR---  
Press **▼** to decrease the contrast.

- 3 Press **Menu/Set**.

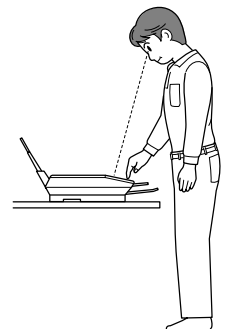
- 4 Press **Stop/Exit**.



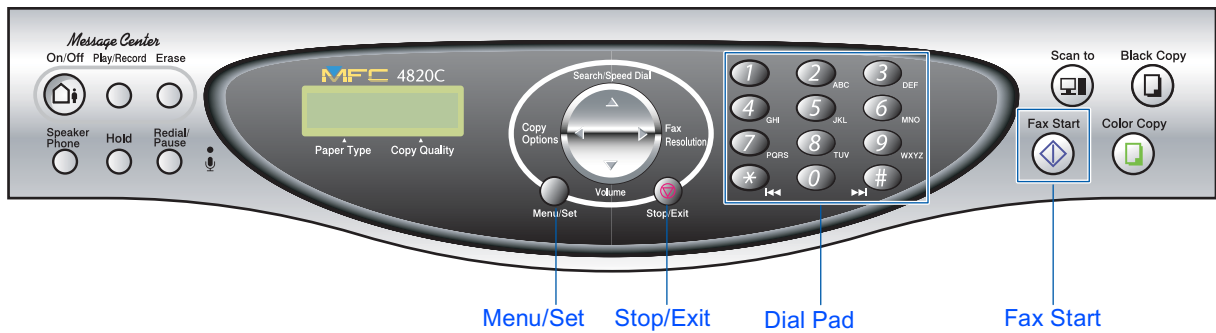
```
SELECT ↑ ↓ & SET
-■0000+
```



```
SELECT ↑ ↓ & SET
-■1100+
```



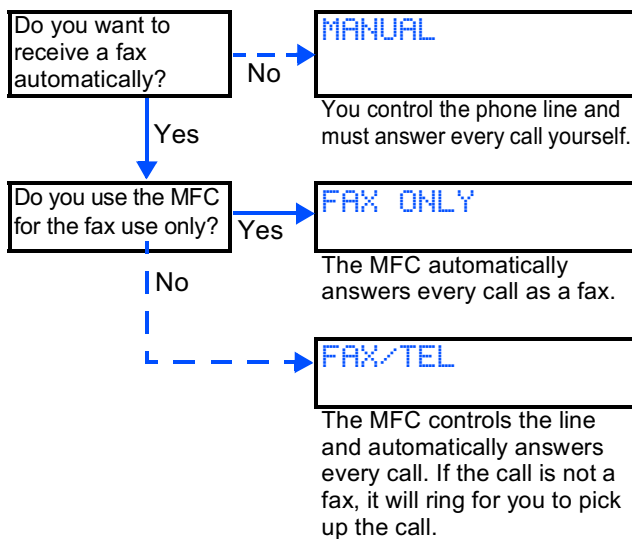
```
SELECT ↑ ↓ & SET
-■1111+
```



## 9 Selecting a Receive Mode

Choose the Receive mode which best suits your needs.

- 1 Press the **Menu/Set** key.
- 2 Press **2** key.
- 3 Press **1** key.
- 4 Press **1** key.
- 5 Press **▲** to select the mode.
- 6 Press **Menu/Set** key.
- 7 Press the **Stop/Exit** key.



For more details, see "Setup Receive" in Chapter 5 of the User's Guide.

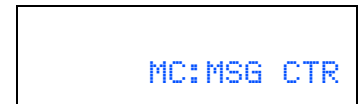
## 10 Setting Up the Message Center

You must record an outgoing message in order to use the Message Center mode.

- 1 Record Message Center Outgoing Message (MSG CTR OGM).

See "Recording Message Center Outgoing Message" in Chapter 9 of the User's Guide.

- 2 Activate Message Center mode.  
Press and hold until it lights and the LCD shows:



If the Message Center Mode is ON, it overrides your Receive Mode setting. The built-in digital Message Center answers voice calls. If the call is a fax, you can receive a fax automatically. For more details, see "Message Center" in Chapter 9 of the User's Guide.

## 11 Setting a Date and Time

The MFC displays the date and time, and prints it on every fax you send.

- 1 Press the **Menu/Set** key.
- 2 Press the **1** key.
- 3 Press the **3** key.
- 4 Enter the last two digits of the year on the dial pad, and then press the **Menu/Set** key.

```
DATE/TIME
YEAR: 2003
```

(e.g. Enter **0, 3** for 2003.)

- 5 Enter the two digits for the month on the dial pad, and then press the **Menu/Set** key.

```
DATE/TIME
MONTH: 09
```

(e.g. Enter **0, 9** for September.)

- 6 Enter the two digits for the day on the dial pad, and then press the **Menu/Set** key.

```
DATE/TIME
DAY: 06
```


(e.g. Enter **0, 6**.)

- 7 Enter the time in 24-hour format on the dial pad, and then press the **Menu/Set** key.

```
DATE/TIME
TIME: 15:25
```

(e.g. Enter **1, 5, 2, 5** for 3:25 P.M.)

- 8 Press the **Stop/Exit** key.

 If you want to repeat from step 1, press the **Stop/Exit** key.

## 12 Setting Your Station ID


You should store your name and fax number to be printed on all fax pages that you send.



- 1 Press the **Menu/Set** key.
- 2 Press the **1** key.
- 3 Press the **4** key.
- 4 Enter your fax number (up to 20 digits) on the dial pad, and then press the **Menu/Set** key.

```
STATION ID
FAX: 908XXXXXXXXX
```


- 5 Use the dial pad to enter your name (up to 20 characters), and then press the **Menu/Set** key.

```
STATION ID
NAME: ANDY
```


 Refer to the following chart for entering your name.

 If you need to enter a character that is on the same key as the previous character, press  to move the cursor to the right.

Press key	One time	Two times	Three times	Four times
2	A	B	C	2
3	D	E	F	3
4	G	H	I	4
5	J	K	L	5
6	M	N	O	6
7	P	Q	R	S
8	T	U	V	8
9	W	X	Y	Z

 For more details, see "Setting the Station ID" in Chapter 4 of the User's Guide.

- 6 Press the **Stop/Exit** key.

 If you want to repeat from step 1, press the **Stop/Exit** key.

## 13 Selecting Your Language (Canada Only)

- 1 Press the **Menu/Set** key.
- 2 Press the **1** key.
- 3 Press the **9** key.
- 4 Select your language (ENGLISH or FRENCH) by using **⬆**, and then press the **Menu/Set** key.

```
LOCAL LANGUAGE
ENGLISH
```

- 5 Press the **Stop/Exit** key.

- 5 Press the **2** key.

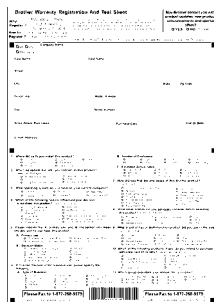


You can also register your product on-line using the On-Line Registration link from the installation CD-ROM or go to [www.registermybrother.com](http://www.registermybrother.com).

Go to page 12  
install the driver

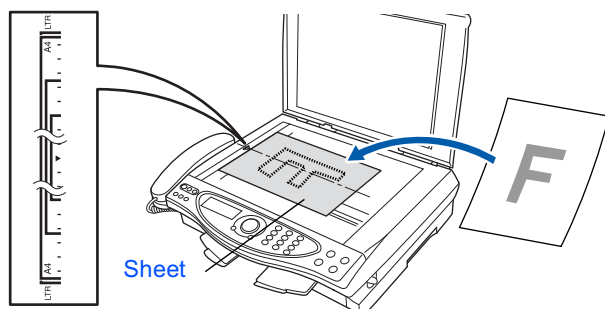
## 14 Sending in the Product Registration and Test Sheet (USA Only)

- 1 Fill out the Product Registration and Test Sheet.



- 2 Place the sheet face down on the scanner glass.

Center the sheet



- 3 Enter the fax number: 1-877-268-9575.

- 4 Press the **Fax Start** key.

The LCD shows:

```
NEXT PAGE?
1.YES 2.NO(DIAL)
```

## Supplied CD-ROM (MFC Software Suite)

You can find a variety of information on the CD-ROM.

### Windows®



#### Install Software

You can install printer, PC FAX Send, scanner drivers and the various utility items, including PaperPort, TextBridge OCR and PhotoPrinter 4.



#### On-Line Registration

You will be pointed to a directory on the Brother Product Registration Web Page.



#### Documentation

View the User's Guide and other documentation in PDF format. (Viewer included)



#### Brother Support

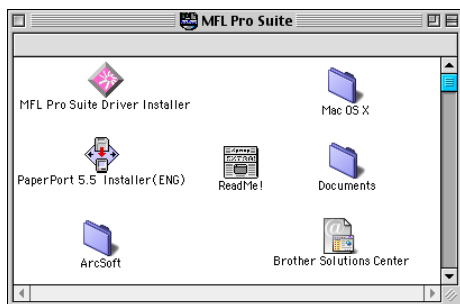
View contact information for Brother Customer Service and how to locate a Brother Authorized Service Center.



#### Help

Helpful hits.

### Macintosh®



#### MFL Pro Suite Driver Installer

You can install printer, PC FAX Send, and scanner drivers for OS 8.6 - 9.2.



#### Documents

View the User's Guide and other documentations in PDF format.



#### PaperPort 5.5 Installer (ENG)

You can install a document management application used to view scanned documents (Mac OS X not supported).



#### PhotoPrinter® 4

Arcsoft PhotoPrinter® 4 software is for editing and printing your images including templates that aid you in printing multiple images on one page and the ability to crop, rotate and add special effects to your picture.



#### Mac OS X (For Native Mac OS X 10.1/10.2.1 only)

You can install the printer and scanner driver and remote setup program for Mac OS X.



#### Brother Solutions Center

You can access the Brother Solutions Center which is a Web site offering information about your Brother product including FAQs, User Guides, Driver updates and Tips for using your machine.



#### ReadMe!

You can get important information and troubleshooting tips.



Follow the instructions on this page for your operating system.

Setting Up  
the MFC

Windows®



For Windows® 98/98SE/Me/2000 Professional/XP Users ..... Go to page 14

Windows®

Macintosh®



For Mac® OS 8.6 to 9.2 Users ..... Go to page 22

Mac® OS  
8.6-9.2



For Mac® OS X 10.1 / 10.2.1 or greater Users .... Go to page 24

Mac® OS X  
10.1/10.2.1 or greater

## For Windows® 98/98SE/Me/2000 Professional/XP Users

**Make sure that you have completed the instructions from Step 1 “Setting Up the MFC” on pages 2 to 9.**

### **If you are using Windows® 2000 Professional:**

To access the PhotoCapture Center™ features from your PC you may have to install a Windows® 2000 update first.

Install the Windows® 2000 update from the MFC Software Suite installer.

You can install it by following the steps below:

1. Follow the installation steps from ① to ⑥.
2. Click **OK** to start installation of the update.
3. Click **OK** to restart your PC.
4. After the PC restarts, the installation will automatically continue.

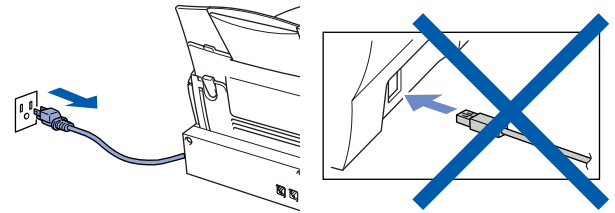


*If the installation does not continue automatically, please open the MFC Software Suite installer menu again by double-clicking the **setup.exe** program on the Brother CD-ROM, and continue from Step ④ to install the Multi-Function Link® Pro Suite.*



*Make sure any media cards are not inserted into the media drive of the MFC.*

- ① Unplug the MFC from the AC outlet and disconnect it from your computer, if you already connected an interface cable.



- ② Turn on your computer. (For Windows® 2000 Professional/XP, you must be logged on as the administrator.)
- ③ Insert the supplied CD-ROM into your CD-ROM drive. If the model name screen appears, click your model name. If the language screen appears, click your language.

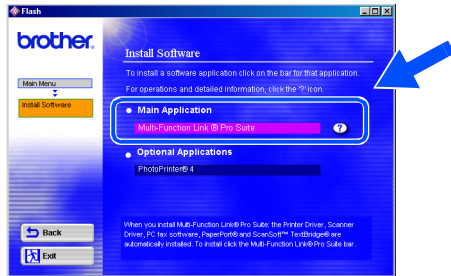


- ④ The CD-ROM main menu will appear. Click **Install Software**.



*If this window does not appear, use Windows® Explore to run the **setup.exe** program from the root directory of the Brother CD-ROM.*

- 5 Click **Multi-Function Link® Pro Suite** in Main Application.

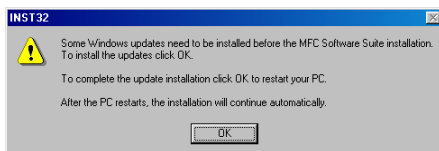


*Multi-Function Link® Pro Suite includes Printer Driver, Scanner Driver, ScanSoft® PaperPort®, ScanSoft® TextBridge®, PC-FAX software, Remote Setup and True Type fonts. PaperPort® is a document management application for viewing scanned documents. ScanSoft® TextBridge®, which is integrated into PaperPort®, is an OCR application that converts an image into text and inserts it into your default word processor.*

- 6 Click **Install**.

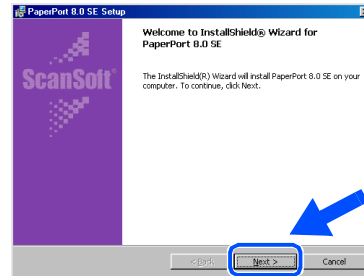


*If you see the following screen, click **OK** to install the Windows® updates. After the updates are installed your PC will restart and automatically continue the installation.*

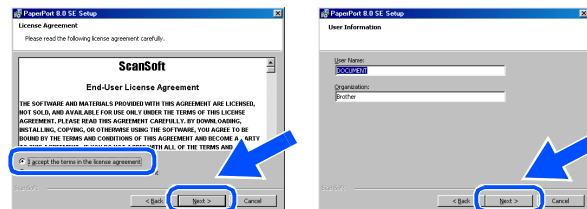


*If the installation does not continue automatically, please open the installer menu again by double-clicking the **setup.exe** program on the Brother CD-ROM, and continue from Step 4.*

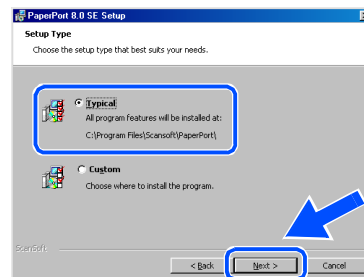
- 7 When the PaperPort® 8.0 SE Setup window is displayed, click **Next**.



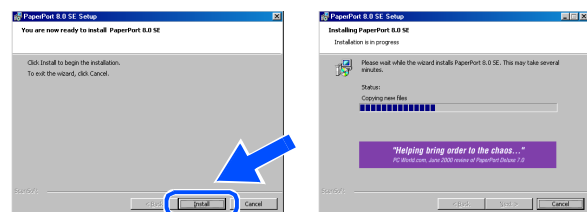
- 8 After reading and accepting the License Agreement, enter your user information and click **Next**.



- 9 Select **Typical** and click **Next**.



- 10 Click **Install** and PaperPort® will start installing on your computer.



To be continued

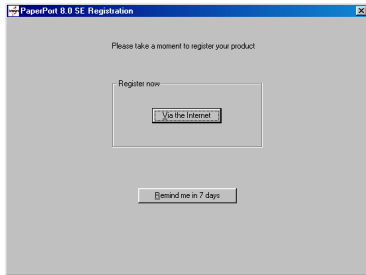


# Step 2

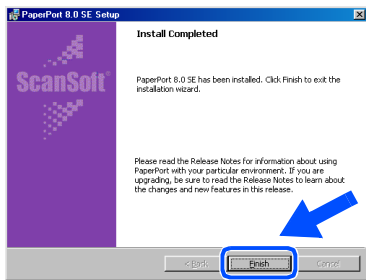
# Installing the Driver & Software

 For Windows® 98/98SE/Me/2000 Professional/XP Users

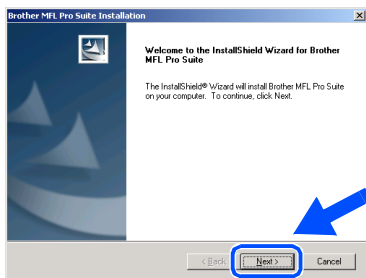
- 11 When the Registration screen is displayed, make your selection and follow the on screen instructions.



- 12 Click **Finish** to complete installation.

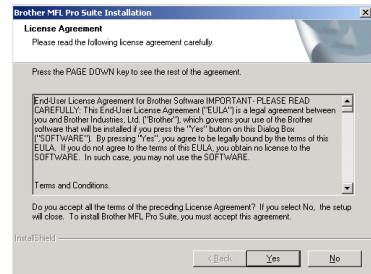


- 13 When the Brother MFL Pro Suite Installation window appears, click **Next**.

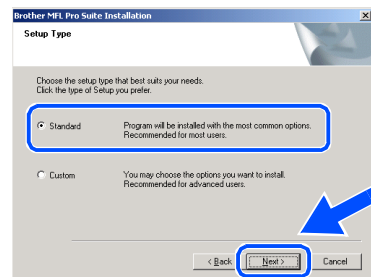


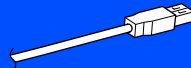
If an error message appears during the installation process, or if you have previously installed the MFL Pro Suite, you will first have to uninstall it. From the **Start** menu, select **Programs, Brother, Brother MFL Pro Suite, Uninstall**, and then follow the instructions on the screen.

- 14 When Software License Agreement window appears, click **Yes**.



- 15 Select **Standard**, and then click **Next**. The application files will be copied to your computer.

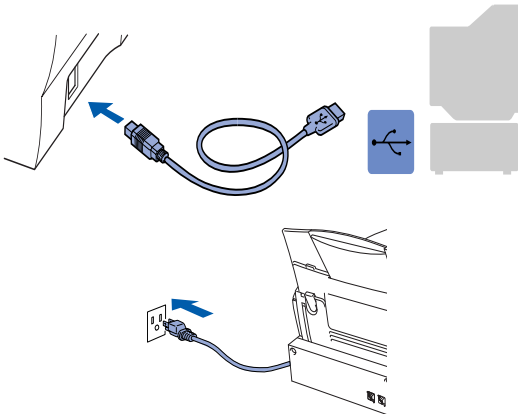
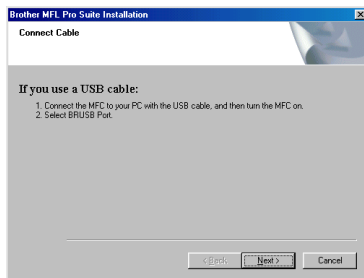


  
Windows® 98/98SE/Me Users  
→ Go to page 17  
Windows® 2000 Professional Users  
→ Go to page 19  
Windows® XP Users  
→ Go to page 20

## For Windows® 98/98SE/Me Users Only

Make sure that you followed the instructions in 1 to 15 on pages 14 to 16.

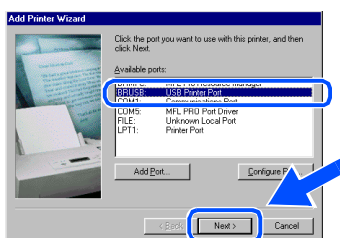
- 16 Connect the USB interface cable to your PC, and then connect it to the MFC. When this screen appears, turn on the MFC by plugging in the power cord.



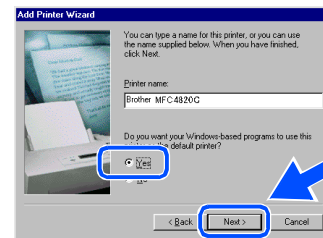
It will take a few seconds for the installation screen to appear.

The installation of the Brother driver will automatically start. Follow the instructions on the screen.

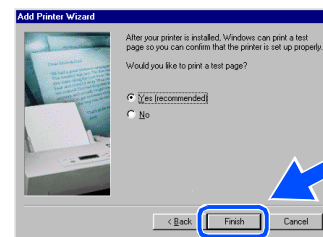
- 17 Select **BRUSB: USB Printer Port**, and then click **Next**.



- 18 Accept the default Printer name by selecting **Yes**, and then click **Next**.



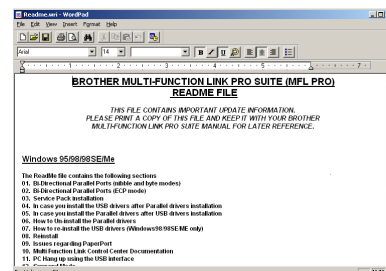
- 19 Select **Yes (recommended)**, and then click **Finish**. A test page will be printed so you can check the print quality.



- 20 If the test page is printed correctly, click **Yes**. If you click **No**, follow the prompts on the screen to correct the problem.

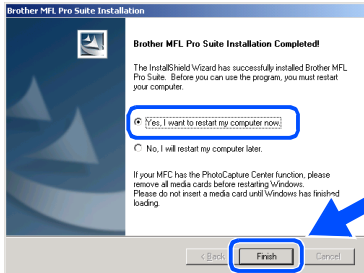


- 21 The README.WRI file will be displayed. Please read this file for troubleshooting information and then close the file to continue installation.

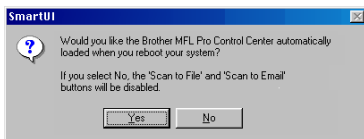


To be continued

- 22 Click **Finish** to restart your computer.



- 23 After the computer restarts, click **Yes** to have the Control Center loaded each time Windows® is started. The Control Center will appear as an icon in the task tray. If you click **No** the Scan keys on the MFC will be disabled.



Even if you select **NO**, later you will be able to launch the Brother Control Center to use the **Scan to** key. See *AutoLoad the Brother Control Center, Chapter 15 in the Documentation (User's Guide) located on the CD-ROM.*

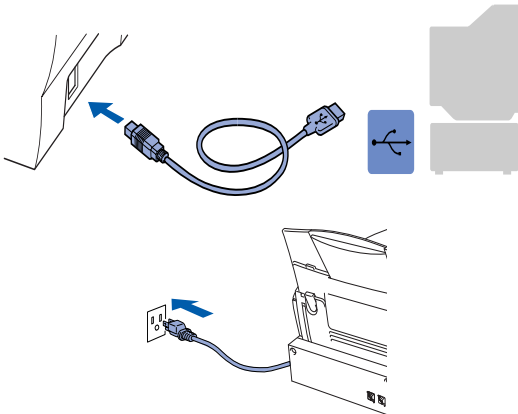
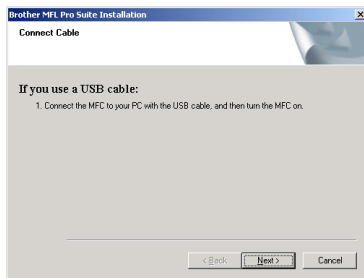
- OK!** The Brother PC-FAX, Printer and Scanner drivers have been installed and the installation is now complete.

Go to page 21 

# For Windows® 2000 Professional Users Only

Make sure that you followed the instructions in 1 to 15 on pages 14 to 16.

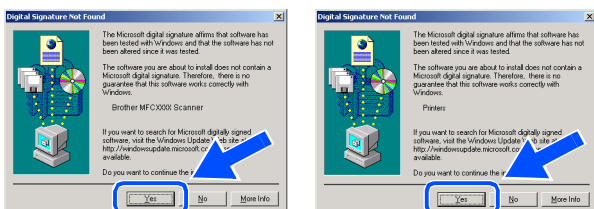
- 16 Connect the USB interface cable to your PC, and then connect it to the MFC. When this screen appears, turn on the MFC by plugging in the power cord.



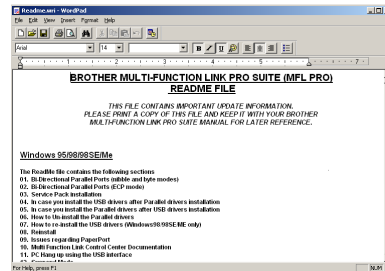
It will take a few seconds for the installation screen to appear.

The installation of the Brother driver will automatically start. Follow the instructions on the screen.

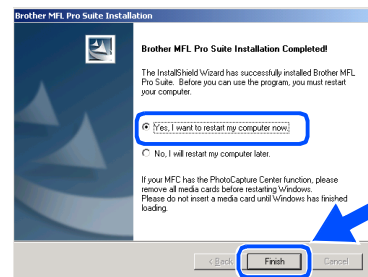
- 17 If the **Digital Signature Not Found** dialog boxes appear, click **Yes** to install the driver.



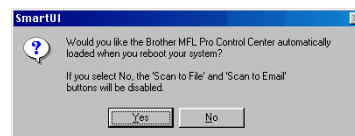
- 18 The README.WRI file will be displayed. Please read this file for troubleshooting information and then close the file to continue installation.



- 19 Click **Finish** to restart your computer.



- 20 After the computer restarts, click **Yes** to have the Control Center loaded each time Windows is started. The Control Center will appear as an icon in the task tray. If you click **No** the Scan keys on the MFC will be disabled.



Even if you select **NO**, later you will be able to launch the Brother Control Center to use the **Scan to** key. See *AutoLoad the Brother Control Center, Chapter 15 in the Documentation (User's Guide)* located on the CD-ROM.

- OK!** The Brother PC-FAX, Printer and Scanner drivers have been installed and the installation is now complete.

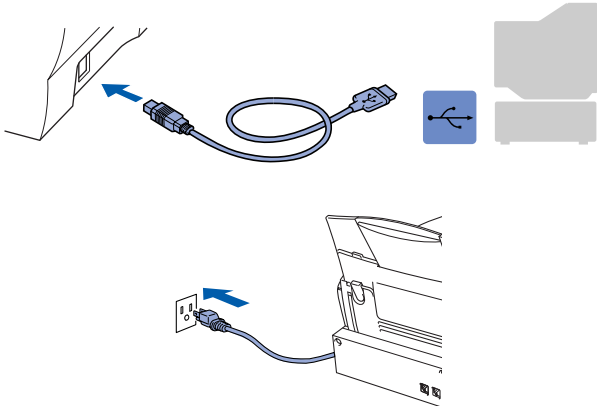
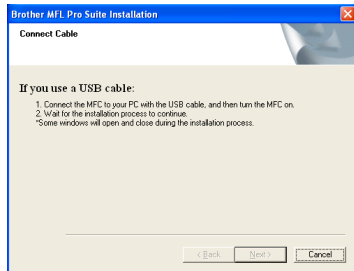
Go to page 21

 For Windows® 98/98SE/Me/2000 Professional/XP Users

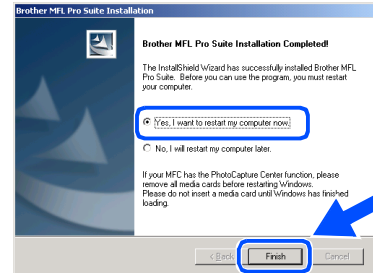
## For Windows® XP Users Only

Make sure that you followed the instructions in 1 to 15 on pages 14 to 16.

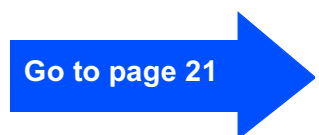
- 16 Connect the USB interface cable to your PC, and then connect it to the MFC. When this screen appears, turn on the MFC by plugging in the power cord.



- 18 Click **Finish** to restart your computer.

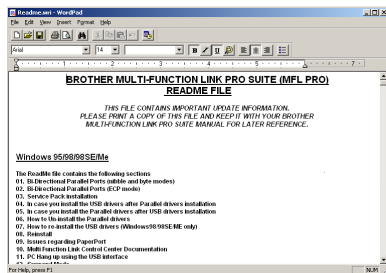


**OK!** The Brother PC-FAX, Printer and Scanner drivers have been installed and the installation is now complete.



It will take a few seconds for the installation screen to appear. The installation of the Brother driver will automatically start. Follow the instructions on the screen.

- 17 The README.WRI file will be displayed. Please read this file for troubleshooting information and then close the file to continue installation.



## Installing Optional PhotoPrinter® 4 Software

- 1 Insert the supplied CD-ROM into your CD-ROM drive. If the model name screen appears, click your model name. If the language screen appears, click your language.

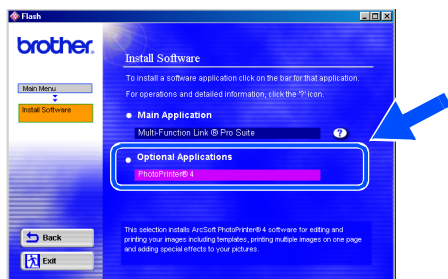


- 2 The CD-ROM main menu will appear. Click **Install Software**.



If this window does not appear, use Windows® Explore to run the **setup.exe** program from the root directory of the Brother CD-ROM.

- 3 Click **PhotoPrinter® 4** in the Optional Applications menu and follow the on-screen instructions to complete the installation.



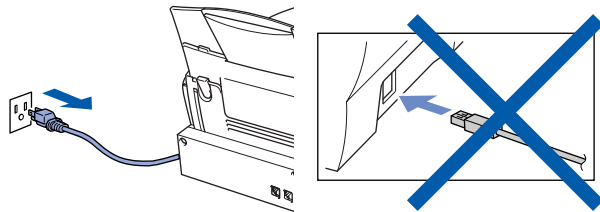
# Step 2

# Installing the Driver & Software

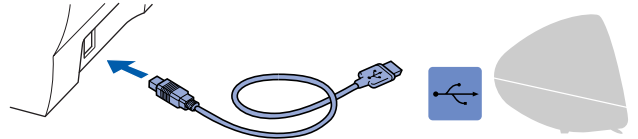
 For Mac® OS 8.6 - 9.2 Users

**Make sure that you have completed the instructions from Step 1 “Setting Up the MFC” on pages 2 to 9.**

- 1 Unplug the MFC from the AC outlet and disconnect it from your Macintosh if you already connected an interface cable.



- 6 Connect the USB interface cable to your Macintosh®, and then connect it to the MFC.

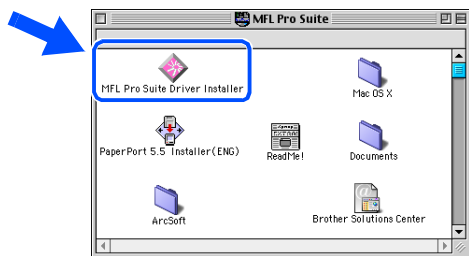


 **Do not connect the MFC to a USB port on a keyboard or a non powered USB hub.**

- 2 Turn on your Macintosh®.
- 3 Insert the supplied CD-ROM into your CD-ROM drive.

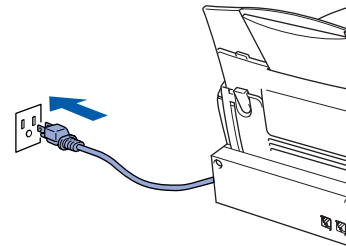


- 4 Double-click the **MFL Pro Suite Driver Installer** icon to install the printer and scanner drivers.

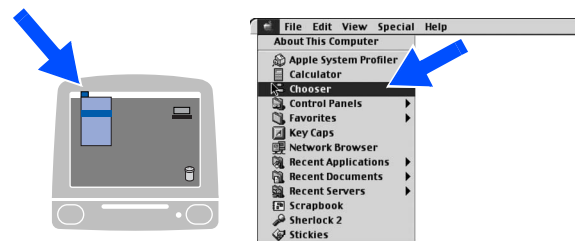


- 5 After the installation is completed, restart your Macintosh®.

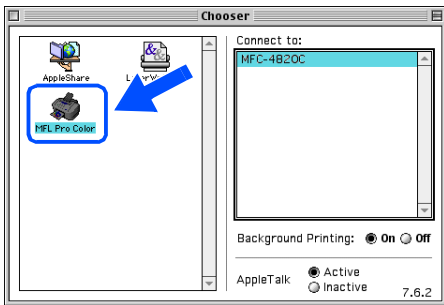
- 7 Turn on the MFC by plugging in the power cord.



- 8 From the Apple® menu, open the **Chooser**.

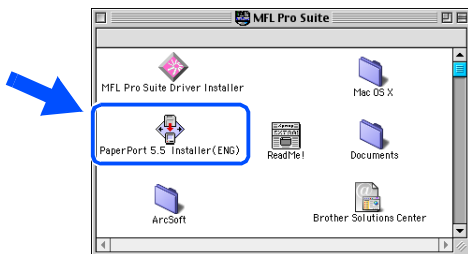


- 9 Click the **MFL Pro Color** icon you installed. On the right side of the **Chooser**, select the printer to which you want to print. Close the **Chooser**.



**OK!** The Brother PC-FAX, Printer and Scanner drivers have been installed and the installation is now complete.

- 10 To install PaperPort®, double-click the **PaperPort® 5.5 Installer** icon. Follow the instructions on the screen.



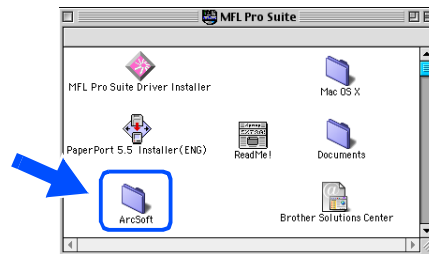
*PaperPort® is a document management application for viewing scanned documents. ScanSoft® TextBridge®, which is integrated into PaperPort®, is an OCR application that converts an image into text and inserts it into your default word processor.*

## Installing Optional PhotoPrinter® 4 Software

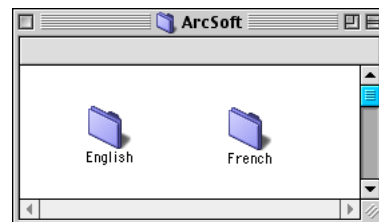
- 1 Insert the supplied CD-ROM into your CD-ROM drive.



- 2 Double-click the ArcSoft folder.



- 3 Double-click the appropriate language folder.



- 4 Double-click the **PhotoPrinter Installer** icon and follow the on-screen instructions to complete the installation.





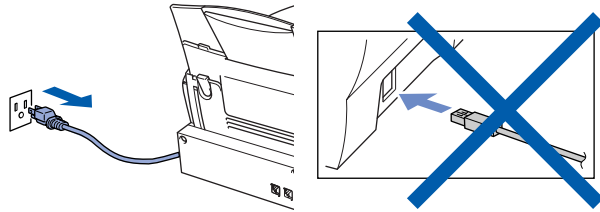
# Step 2

# Installing the Driver & Software

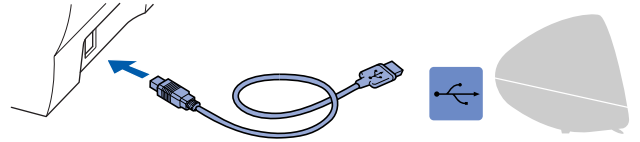
 For Mac® OS X 10.1 / 10.2.1 or greater Users

**Make sure that you have completed the instructions from Step 1 “Setting Up the MFC” on pages 2 to 9.**

- 1 Unplug the MFC from the AC outlet and disconnect it from your Macintosh if you already connected an interface cable.



- 6 Connect the USB interface cable to your Macintosh®, and then connect it to the MFC.



 **Do not connect the MFC to a USB port on a keyboard or a non powered USB hub.**

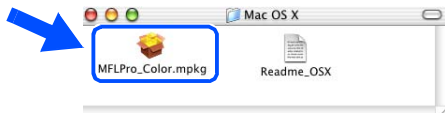
- 2 Turn on your Macintosh®.
- 3 Insert the supplied CD-ROM into your CD-ROM drive.



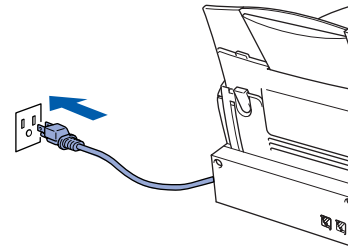
- 4 Double-click the **Mac OS X** folder to install the printer driver and Remote Setup program.



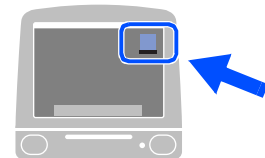
- 5 Double-click the **MFL Pro\_Color.pkg** icon. Follow the instructions on the screen.



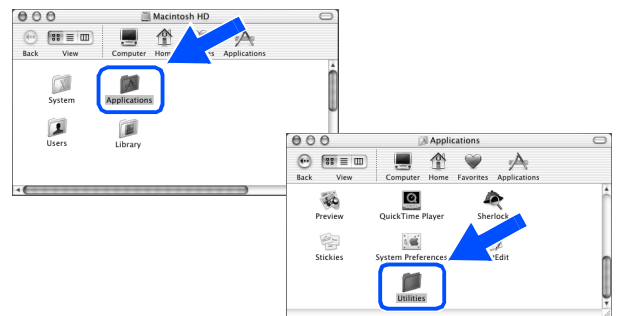
- 7 Turn on the MFC by plugging in the power cord.



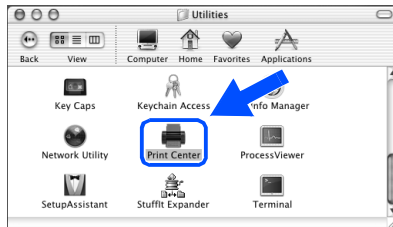
- 8 Open the **Macintosh HD** icon.



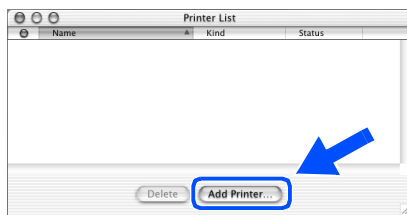
- 9 Open the **Applications** folder. Open the **Utilities** folder.



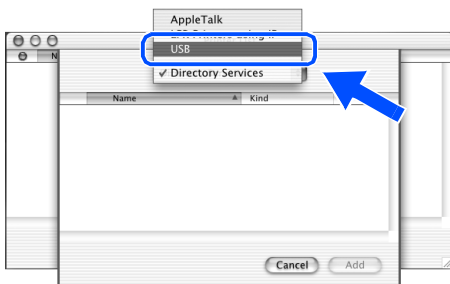
- 10 Open the **Print Center** icon.



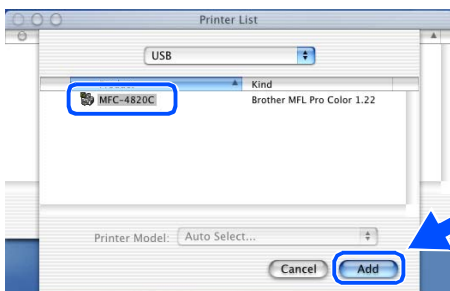
- 11 Click **Add Printer...**



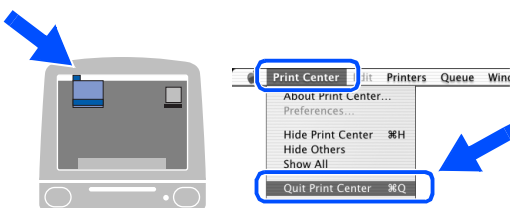
- 12 Select **USB**.



- 13 Select **MFC-4820C**, and then click **Add**.



- 14 Select **Quit Print Center** from the **Print Center** menu.



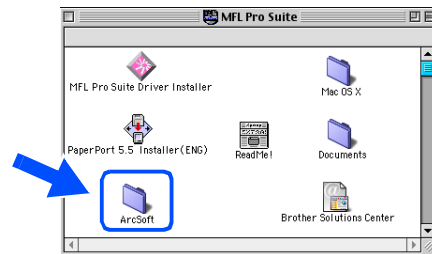
- OK!** The **Brother Printer and Scanner driver** and **Remote Setup Program** have been installed and the installation is now complete.

## Installing Optional PhotoPrinter® 4 Software

- 1 Insert the supplied CD-ROM into your CD-ROM drive.



- 2 Double-click the **ArcSoft** folder.



- 3 Double-click the appropriate language folder.



- 4 Double-click the **PhotoPrinter Installer** icon and follow the on-screen instructions to complete the installation.



## Trademarks

The Brother logo is a registered trademark of Brother Industries, Ltd.

Brother is a registered trademark of Brother Industries, Ltd.

Multi-Function Link and PhotoCapture Center are registered trademarks of Brother International Corporation.

© Copyright 2003 Brother Industries, Ltd. All rights reserved.

Windows, Microsoft and MS-DOS are registered trademarks of Microsoft in the U.S. and other countries.

Macintosh is a registered trademark of Apple Computer, Inc.

PaperPort and TextBridge are registered trademarks of ScanSoft, Inc.

PhotoPrinter is a registered trademark of ArcSoft.

Smart Media is a trademark of Toshiba Corporation.

Compact Flash is a trademark of SanDisk Corporation.

Memory Stick is a trademark of Sony Corporation.

Each company whose software title is mentioned in this manual has a Software License Agreement specific to its proprietary programs.

**All other brand and product names mentioned in this manual are registered trademarks of their respective companies.**

## Compilation and Publication

Under the supervision of Brother Industries Ltd., this manual has been compiled and published, covering the latest product descriptions and specifications.

The contents of this manual and the specifications of this product are subject to change without notice.

Brother reserves the right to make changes without notice in the specifications and materials contained herein and shall not be responsible for any damages (including consequential) caused by reliance on the materials presented, including but not limited to typographical and other errors relating to the publication.

This product is designed for use in a Professional Environment.

**brother**<sup>®</sup>