

## Setting Up the machine and PC to Work Together

### Before You begin

- Please see the README.WRI file in the root directory of the CD-ROM for the latest important installation and troubleshooting information.
- If you have any problems with this installation, visit us at <http://solutions.brother.com> and view the FAQ's for your machine.
- Please purchase the appropriate interface cable you intend to use with this machine (parallel or USB).
- Some illustrations are based on the MFC-8500.

 Use only a shielded parallel interface cable that is IEEE 1284-compliant and/or a USB cable that is no longer than 6 feet long (1.8 meters).


**You must set up the hardware and install the driver before you can use your machine as a printer and scanner with your applications.**

**Step 1.** Shut down and turn OFF your computer.

**Step 2.** Unplug the FAX/MFC machine from the AC outlet and disconnect the interface cable if you have already connected it.

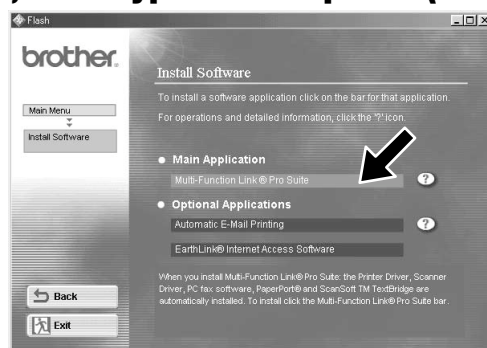
**Step 3.** Turn on your computer.

**Note:** If the "Found New Hardware Wizard" appears before the installation of the software, you should click on Cancel to exit the Wizard, and then start the installation program from the CD-ROM.

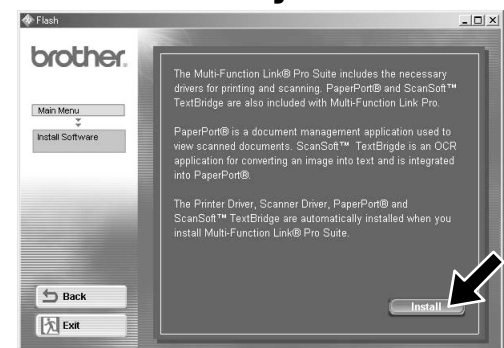
**Step 4.**  Insert the CD-ROM into the CD-ROM drive. If the model name screen appears, click on your model name. The CD-ROM main menu will appear. If the CD-ROM does NOT start automatically, start the installer application by clicking Start, Run, then type x:\setup.exe (where x:\ is the drive letter of your CD-ROM drive).



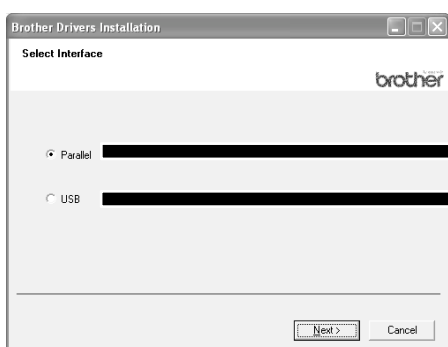
1. Click Install Software.



2. Click Multi-Function Link® Pro Suite in Main Application. \*1

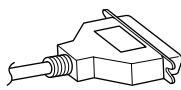


3. Click Install.

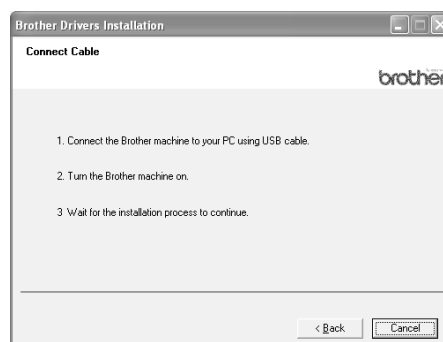
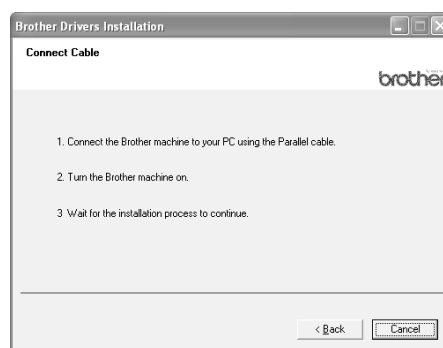
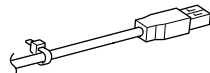


4. Select an interface cable, and then press Next.

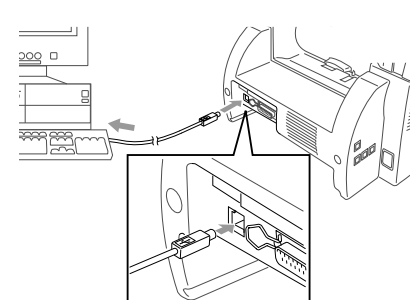
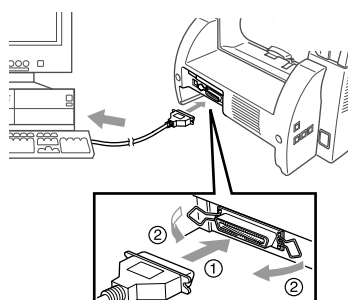
For Parallel



For USB



**Step 5.** Connect the machine to your PC using the parallel or USB cable.



Please see  
STEP 6

\*1 Multi-Function Link® Pro Suite includes Printer Driver, Scanner Driver, PC-FAX software and Remote Setup.  
Scanner resolution: Up to 600 dpi  
Paper size: 8.5" (215.9 mm) × 11.7" (297 mm)