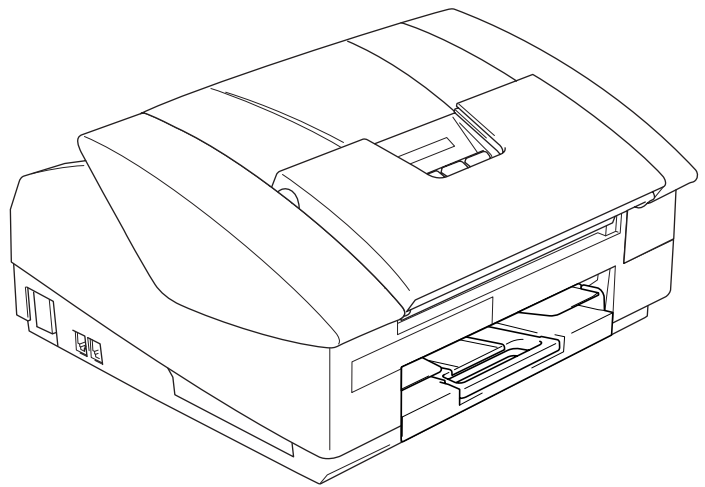


Quick Setup Guide

MFC-3240C



Quick Setup Guide

→ English ... Go to page 1

MFC-3240C

Ръководство за Бързо Инсталиране

→ Български ... отидете на стр. 13

MFC-3240C

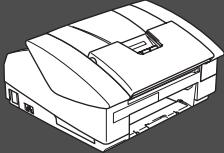
Ghid rapid de setare

→ Română ... mergeți la pagina 25

MFC-3240C

Before you can use the machine, you must set up the hardware and install the driver. To help you get started in setting up the machine and installing the driver and software, please read this "Quick Setup Guide" and follow the simple instructions.

Step 1

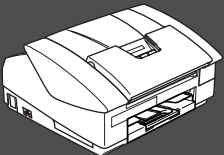


Setting Up the Machine

Step 2



Installing the Driver & Software



Setup is Complete!

For the latest drivers and to find the best solution for your problem or question, access the Brother Solutions Center directly from the driver or go to <http://solutions.brother.com>. Keep this "Quick Setup Guide" and supplied CD-ROM in a convenient place for quick and easy reference at all times.

Step 1

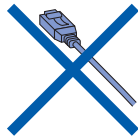
Setting Up the Machine

1 Removing the Protective Parts

- 1 Remove the protective tape and paper.

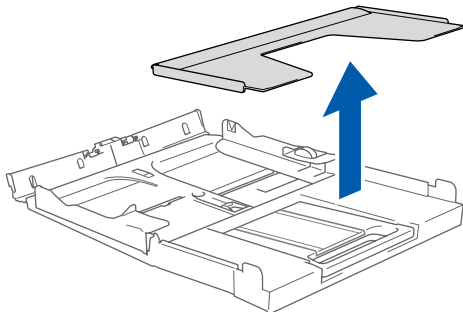
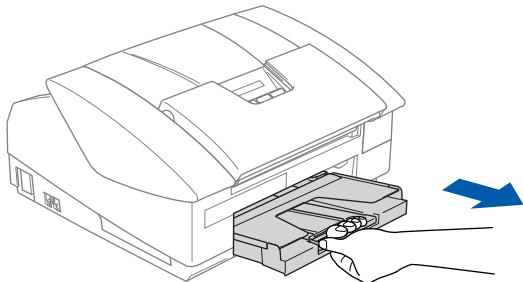


DO NOT connect the USB cable.
Connecting the USB cable is done when installing the driver.



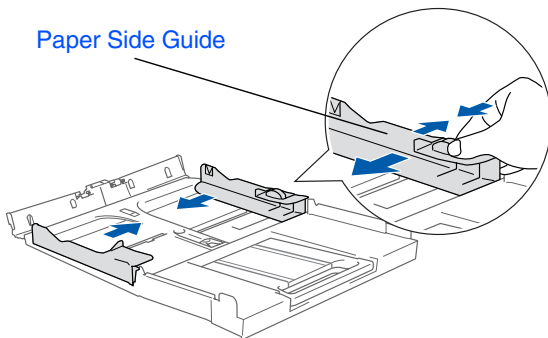
2 Loading Paper

- 1 Pull the paper tray completely out of the machine and remove the output paper tray.

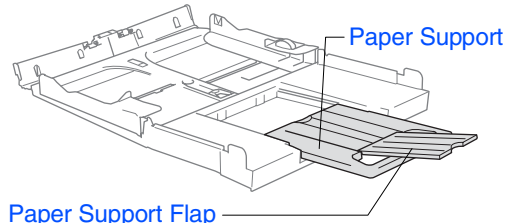


- 2 Press and slide the paper guide to fit the paper width.

Paper Side Guide

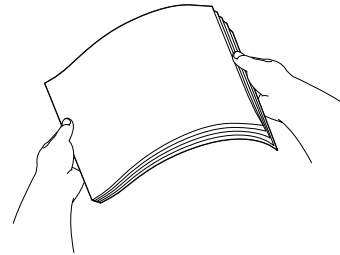


- 3 Pull out the paper support and unfold the paper support flap.

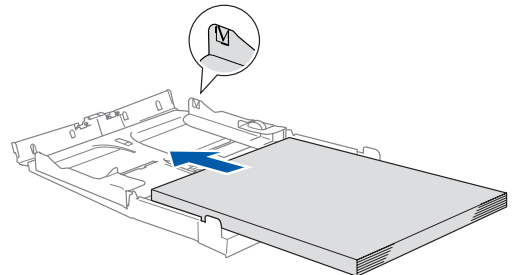


Use the paper support flap for Letter, Legal and A4 size paper.

- 4 Fan the stack of paper well to avoid paper jams and mis-feeds.

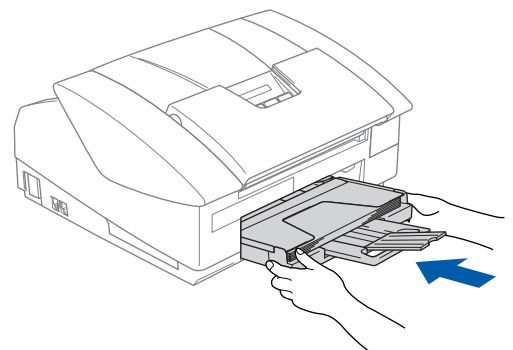


- 5 Gently insert the paper into the paper tray print side down and top edge first. Check that the paper is flat in the tray and below the maximum paper mark.



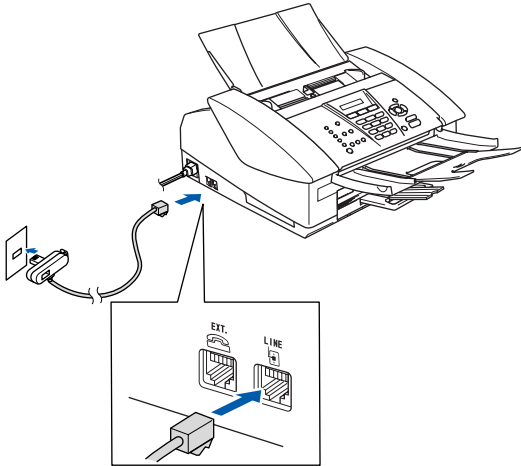
- Make sure the paper side guides touch the sides of the paper.
- Be careful that you do not push the paper in too far; it may lift at the back of the tray and cause paper feed problems.

- 6 Put the output paper tray back on and push the paper tray firmly back into the machine.



3 Installing the Phone Line and Power Cord

- 1 Connect the power cord.
- 2 Connect the telephone line cord. Connect one end of the telephone line cord to the socket on the MFC marked **LINE** and the other end to a modular wall socket.



(Example for the U.K.)



DO NOT connect the USB cable yet.

Warning

- The machine must be fitted with an earthed plug.
- Since the machine is grounded through the power outlet, you can protect yourself from potentially hazardous electrical conditions on the telephone network by keeping the power switched on when you connect the machine to a telephone line. Similarly, you can protect yourself when you want to move your machine by disconnecting the telephone line first and then the power cord.

4 Installing the Ink Cartridges

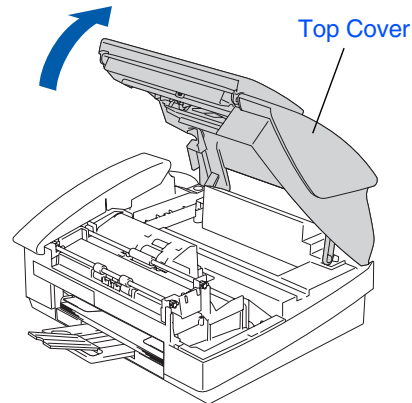
Warning

If ink gets in your eyes wash them with water immediately, and if irritation occurs consult a doctor.

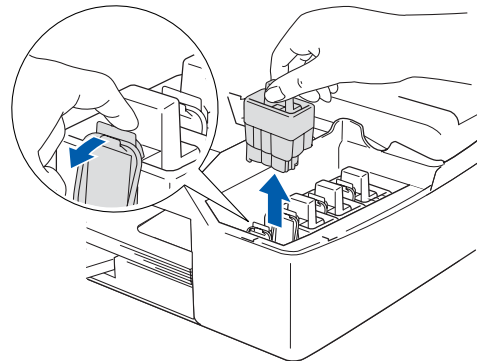
- 1 Make sure that the power is turned on. The LCD shows:

No Cartridge

- 2 Open the top cover.



- 3 Remove the protective parts.



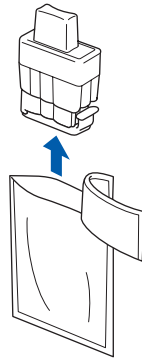
Do not throw away the protective parts. You will need them when you transport the machine.

Continued...

Step 1

Setting Up the Machine

- 4 Take out the ink cartridge.

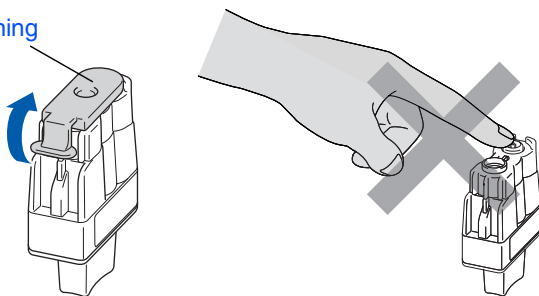


- 5 Carefully remove the bottom cap.



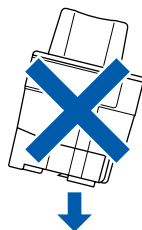
DO NOT touch the area shown in the illustration below.

Opening

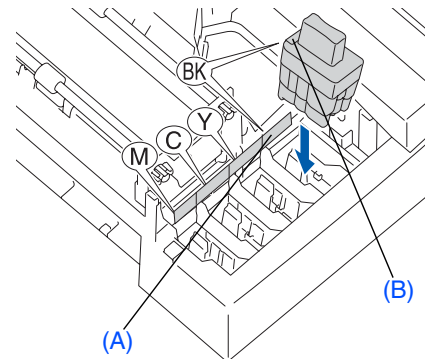


If the ink cartridge cover comes off when you open the bag the cartridge will not be damaged.

Keep the ink cartridge in an upright position when you insert it into the slot.



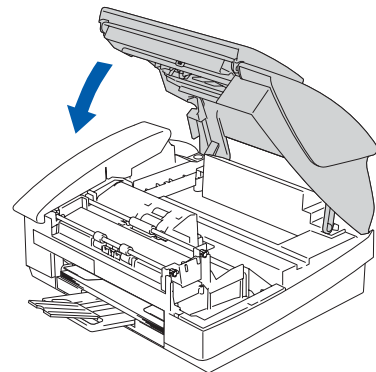
- 6 Press firmly down on the ink cartridge until the hook snaps over it, taking care to match the slot colour (A) with the cartridge colour (B), as shown in the diagram below.



- 7 Close the top cover.

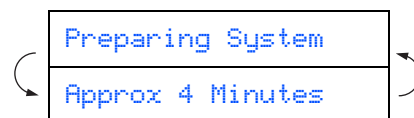


If **Install** shows on the LCD after you install the ink cartridges, check to make sure the ink cartridges are installed correctly.



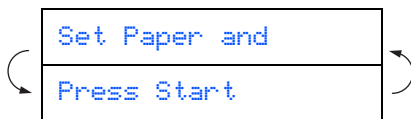
The machine will clean the ink tube system for use for the first time. This process will occur only once, the first time ink cartridges are installed. The cleaning process will last approximately four minutes.

The LCD shows:



5 Print Quality Check

- 1 After the cleaning cycle is finished, the LCD shows:

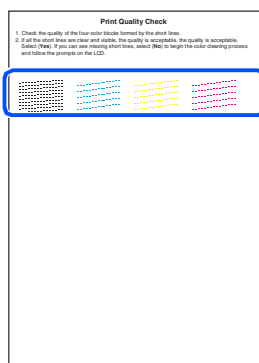


- 2 Make sure the paper is loaded in the paper tray.

Press **Colour Start**.

The machine starts printing the PRINT QUALITY CHECK SHEET (only during initial ink cartridge installation).

- 3 Check the quality of the four colour blocks formed by the short lines printed on the sheet.
(BLACK/ CYAN/ YELLOW/ MAGENTA)

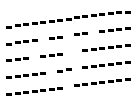


- 4 If all lines are clear and visible, the quality is acceptable. Press **1 (Yes)**. If you can see missing short lines, press **2 (No)** to begin the color cleaning process and then follow prompts on the LCD.

OK



Poor



- 5 After cleaning is finished, press **Colour Start**. The machine starts printing the PRINT QUALITY CHECK SHEET again and goes back to step **3**.

6 Setting the Date and Time

- 1 Press **Menu/Set**.
- 2 Press **0**.
- 3 Press **2**.
- 4 Enter the last two digits of the year on the dial pad, and then press **Menu/Set**.

Year: 2004

(e.g. Enter **0 4** for 2004.)

- 5 Enter the two digits for the month on the dial pad, and then press **Menu/Set**.

Month: 03

(e.g. Enter **0 3** for March.)

- 6 Enter the two digits for the day on the dial pad, and then press **Menu/Set**.

Day: 01

(e.g. Enter **0 1**.)

- 7 Enter the time in 24-hour format on the dial pad, and then press **Menu/Set**.

Time: 15:25

(e.g. Enter **1 5, 2 5** for 3:25 P.M.)

- 8 Press **Stop/Exit**.



If you want to repeat input, press **Stop/Exit** to start from Step **1**.

7 Setting Your Station ID

You should store your name and fax number to be printed on all fax pages that you send.

- 1 Press **Menu/Set**.
- 2 Press **0**.
- 3 Press **3**.
- 4 Enter your fax number (up to 20 digits) on the dial pad, and then press **Menu/Set**.

Fax: _

- 5 Use the dial pad to enter your name (up to 20 characters), and then press **Menu/Set**.

Name: _



- Refer to the following chart for entering your name.
- If you need to enter 2 or more characters in a row from the same key, use the navigation key to move the cursor to the right.

Press key	One time	Two times	Three times	Four times
2	A	B	C	2
3	D	E	F	3
4	G	H	I	4
5	J	K	L	5
6	M	N	O	6
7	P	Q	R	S
8	T	U	V	8
9	W	X	Y	Z



For more details, see "Setting the Station ID" in Chapter 2 of the User's Guide.

- 6 Press **Stop/Exit**.

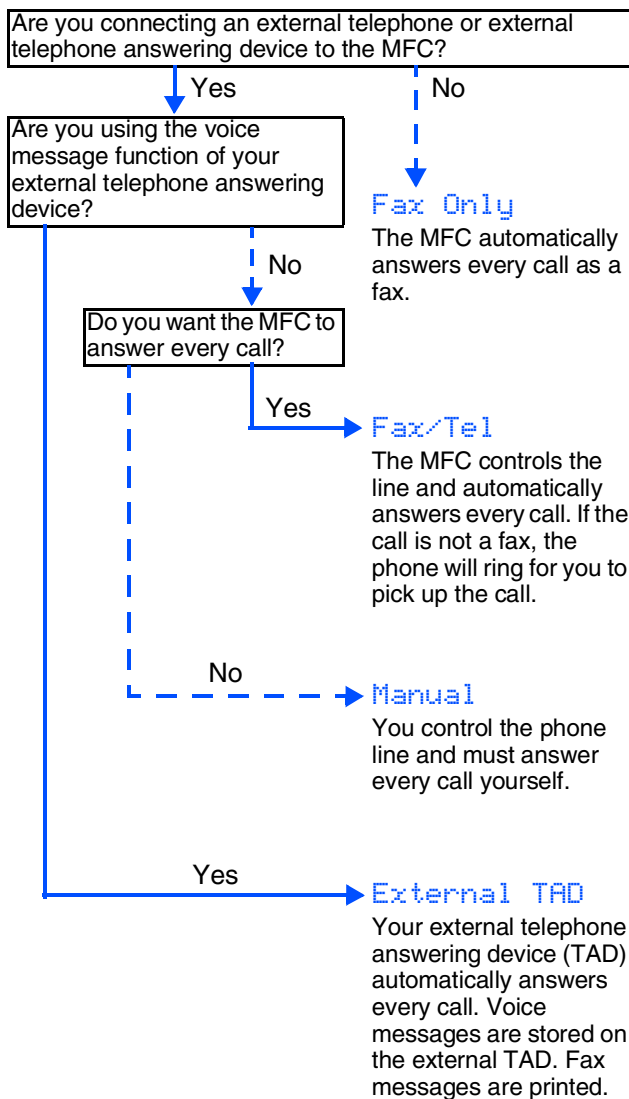


If you want to repeat input, press **Stop/Exit** to start from Step 1.

8 Selecting a Receive Mode

There are four possible receive modes:

Fax Only, **Fax/Tel**, **Manual** and **External TAD**.



- 1 Press **Menu/Set**.
- 2 Press **0**.
- 3 Press **1**.
- 4 Press **▲** or **▼** to select the mode.
- 5 Press **Menu/Set**.
- 6 Press **Stop/Exit**.



For more details, see "Setup Receive" in Chapter 4 of the User's Guide.

Continue to Step 2, Installing the Driver & Software



Follow the instructions on this page for your operating system and interface cable.

Windows®

■ Windows® 98/98SE/Me/2000 Professional/XP ...Go to page 8

Windows®

Macintosh®

■ Mac OS® X 10.2.4 or greater.....Go to page 10

Mac OS® X

■ Mac OS® 8.6 to 9.2Go to page 11

Mac OS®
8.6 - 9.2

For Windows® 98/98SE/Me/2000 Professional/XP

Make sure that you have completed the instructions from Step 1 “Setting Up the Machine” on pages 2 - 6.

- 1 Disconnect the machine from the power socket and from your computer, if you have already connected an interface cable.
- 2 Turn on your computer.
(For Windows® 2000 Professional/XP, you must be logged on as the administrator.)
- 3 Insert the supplied CD-ROM into your CD-ROM drive. If the model name screen appears, select your machine. If the language screen appears, select your language.



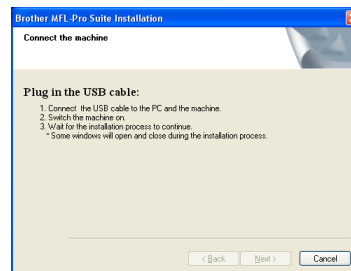
- 4 The CD-ROM main menu will appear. Click **Install MFL-Pro Suite**.




*If this window does not appear, use Windows® Explorer to run the **setup.exe** program from the root directory of the Brother CD-ROM.*

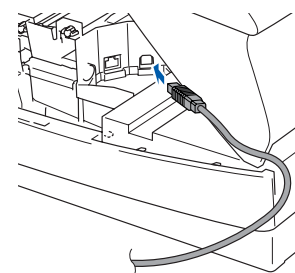
- 5 After reading and accepting the ScanSoft® PaperPort® 9.0SE License Agreement, click **Yes**.
- 6 The installation of PaperPort® 9.0SE will automatically start and is followed by the installation of MFL-Pro Suite.
- 7 When the Brother MFL-Pro Suite Software License Agreement window appears, click **Yes**, if you agree to the Software Licence Agreement.
- 8 Select **Local Connection**, and then click **Next**.
The installation will continue.

- 9 When this screen appears, connect the USB interface cable to your PC, and then connect it to the machine.

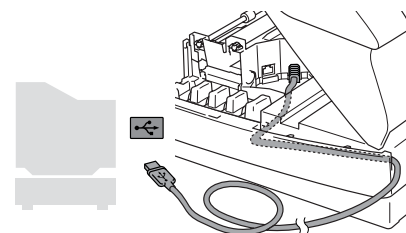


To connect the USB cable to the machine:

1. Open the top cover to its open position.
2. Connect the USB cable into the USB socket, marked with a  symbol. You will find the USB socket above and to the left of the ink cartridge slots, as shown below.



3. Carefully guide the USB cable into the trench as shown below, following the trench round and toward the back of the machine.



Warning

Ensure that the cable does not restrict the cover from closing, or an error may occur. Gently close the top cover.

- 10 Gently close the top cover.
- 11 Turn on the machine by plugging in the power cord.
It will take a few seconds for the installation screens to appear.
The installation of the Brother drivers will automatically start. The installation screens appear one after another, please wait for a while.
- 12 When the Brother and ScanSoft on-line Registration screen is displayed, make your selection and follow the on-screen instructions.
- 13 Click **Finish** to restart your computer.
- 14 After restarting the computer, the Installation Diagnostics will run automatically and the installation results window will be shown.



*If the installation is unsuccessful try installing again using the **Repair MFL-Pro Suite** option from the main menu. Select **Repair MFL-Pro Suite** and follow the instructions on the screen.*

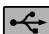
- OK!** **The MFL-Pro Suite, Brother Printer driver and Scanner driver have been installed and the installation is now complete.**

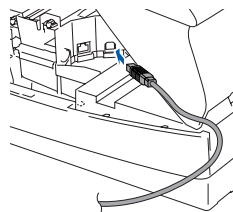
For Mac OS® X 10.2.4 or greater

Make sure that you have completed the instructions from Step 1 “Setting Up the Machine” on pages 2 - 6.

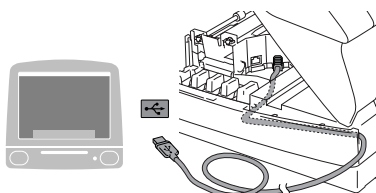
- 1 Disconnect the machine from the power socket and from the Macintosh®, if you have already connected an interface cable.
- 2 Turn on your Macintosh®.
- 3 Insert the supplied CD-ROM into your CD-ROM drive.
- 4 Double-click the **Start Here OSX** icon to install the printer driver, Scanner driver and Remote Setup program. If the language screen appears, select your language.
- 5 Click **MFL-Pro Suite** to install.
- 6 Follow the on-screen instructions, and restart your Macintosh®.
- 7 After the **DeviceSelector** window appears, connect the USB interface cable to your Macintosh® and then to the machine.
- 8 Connect the USB interface cable to your Macintosh®, and then connect it to the machine.

To connect the USB cable to the machine:

1. Open the top cover to its open position.
2. Connect the USB cable into the USB socket, marked with a  symbol. You will find the USB socket above and to the left of the ink cartridge slots, as shown below.



3. Carefully guide the USB cable into the trench as shown below, following the trench round and toward the back of the machine.



Warning

Ensure that the cable does not restrict the cover from closing, or an error may occur.



DO NOT connect the machine to a USB port on a keyboard or a non powered USB hub.

- 9 Gently close the top cover.
 - 10 Turn on the machine by plugging in the power cord.
 - 11 Select **Applications** from the **Go** menu.
 - 12 Open the **Utilities** folder.
 - 13 Open the **Print Center** icon.
 - 14 Click **Add**.
 - 15 Select **USB**.
 - 16 Select **MFC-XXXX** (XXXX is your model name), and then click **Add**.
 - 17 Select **Quit Printer Setup Utility** from the **Printer Setup Utility** menu.
- OK!** The MFL-Pro Suite, Brother Printer driver, Scanner driver and Remote Setup Program have been installed and the installation is now complete.
- 18 To install Presto!® PageManager®, click the **Presto! PageManager** icon and follow the on-screen instructions.



You can easily scan, share and organize photos and documents using Presto!® PageManager®.



Presto!® PageManager® has been installed and the installation is now complete.

For Mac OS® 8.6 to 9.2


Make sure that you have completed the instructions from Step 1 “Setting Up the Machine” on pages 2 - 6.

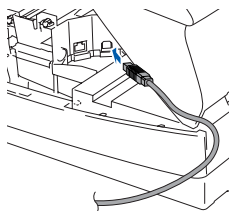
- 1 Disconnect the machine from the power socket and from the Macintosh®, if you have already connected an interface cable.
- 2 Turn on your Macintosh®.
- 3 Insert the supplied CD-ROM into your CD-ROM drive.



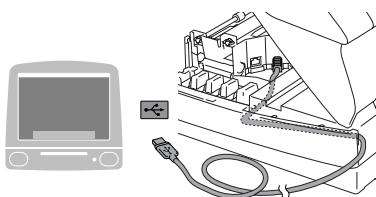
- 4 Double-click the **Start Here** icon to install the printer and scanner drivers. If the language screen appears, select your language.
- 5 Click **MFL-Pro Suite** to install.
- 6 Follow the on-screen instructions, and restart your Macintosh®.
- 7 Connect the USB interface cable to your Macintosh®, and then connect it to the machine.

To connect the USB cable to the machine:

1. Open the top cover to its open position.
2. Connect the USB cable into the USB socket, marked with a  symbol. You will find the USB socket above and to the left of the ink cartridge slots, as shown below.



3. Carefully guide the USB cable into the trench as shown below, following the trench round and toward the back of the machine.



Warning

Ensure that the cable does not restrict the cover from closing, or an error may occur.



DO NOT connect the machine to a USB port on a keyboard or a non powered USB hub.

- 8 Gently close the top cover.
- 9 Turn on the machine by plugging in the power cord.
- 10 From the Apple® menu, open the **Chooser**.
- 11 Click the **Brother Ink** icon. On the right side of the **Chooser**, select the machine to which you want to print. Close the **Chooser**.
- OK!** **The Brother Printer driver and Scanner driver have been installed.**
- 12 To install Presto!® PageManager®, click the **Presto! PageManager** icon and follow the on-screen instructions.



You can easily scan, share and organize photos and documents using Presto!® PageManager®.

- OK!** **Presto!® PageManager® has been installed and the installation is now complete.**

Trademarks

The Brother logo is a registered trademark of Brother Industries, Ltd.

Brother is a registered trademark of Brother Industries, Ltd.

Multi-Function Link is a registered trademark of Brother International Corporation.

© Copyright 2004 Brother Industries, Ltd. All rights reserved.

Windows and Microsoft are registered trademarks of Microsoft in the U.S. and other countries.

Macintosh and True Type are registered trademarks of Apple Computer, Inc.

PaperPort and OmniPage OCR are registered trademarks of ScanSoft, Inc.

Presto! PageManager is a registered trademark of NewSoft Technology Corporation.

Each company whose software title is mentioned in this manual has a Software License Agreement specific to its proprietary programs.

All other brand and product names mentioned in this manual are registered trademarks of their respective companies.

Compilation and Publication

Under the supervision of Brother Industries Ltd., this manual has been compiled and published, covering the latest product descriptions and specifications.

The contents of this manual and the specifications of this product are subject to change without notice.

Brother reserves the right to make changes without notice in the specifications and materials contained herein and shall not be responsible for any damages (including consequential) caused by reliance on the materials presented, including but not limited to typographical and other errors relating to the publication.

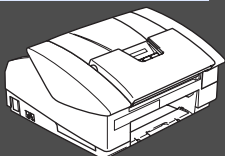
This product is designed for use in a Professional Environment.

©2004 Brother Industries, Ltd.

English Quick Setup Guide has finished.

Преди да можете да използвате принтера, трябва да го настроите и да инсталирате драйвера.
За да ви е по-лесно да инсталирате принтера, драйвера и софтуера, прочетете това Ръководство за Бързо Инсталиране и следвайте инструкциите.

Стъпка 1

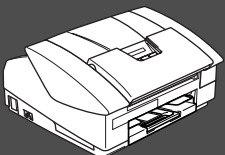


Инсталация на устройството

Стъпка 2



Инсталиране на драйвера и софтуера



Инсталацията завърши!

За най-новите драйвери и за най-доброто решение на вашия проблем или въпрос посетете Brother Solutions Center директно от драйвера или на адрес:

<http://solutions.brother.com>

Съхранявайте Ръководството за Бързо инсталиране и приложения компактдиск на подходящо място за бърза и лесна справка по всяко време.

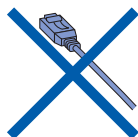
1

Отстраняване на предпазните елементи

- 1 Отстранете предпазните лепенки и хартия.

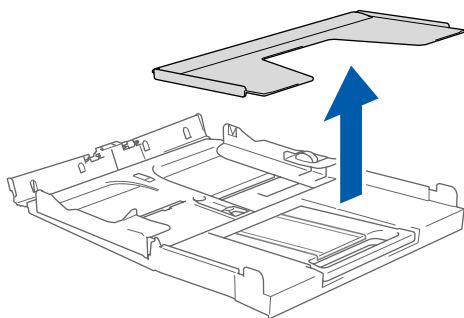
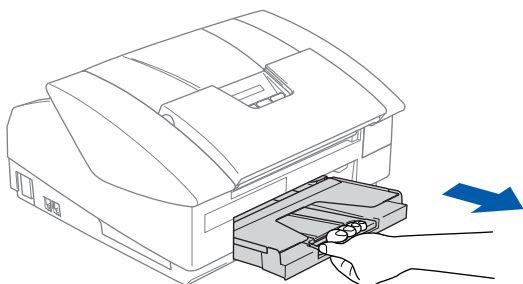


НЕ свързвайте USB кабела. USB кабелът се включва при инсталирането на драйвера.



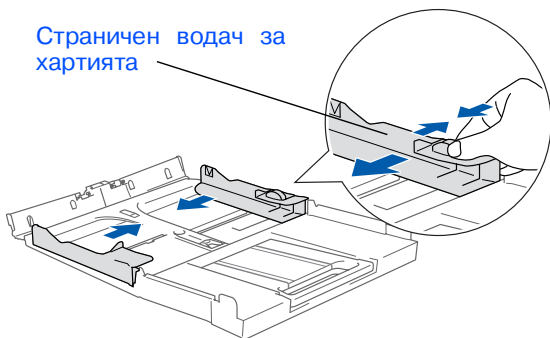
2 Зареждане на хартия

- 1 Издърпайте напълно тавата за хартия от устройството и отстранете изходящата тавана.

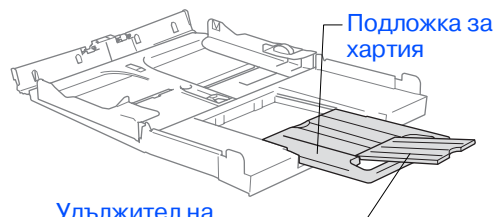


- 2 Натиснете и плъзнете водача за хартията, докато съвпадне с нейната ширина.

Страничен водач за хартията



- 3 Издърпайте подложката за хартията и разгънете удължителя.

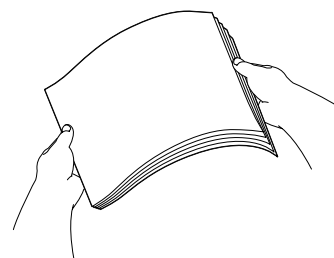


Удължител на подложката за хартия

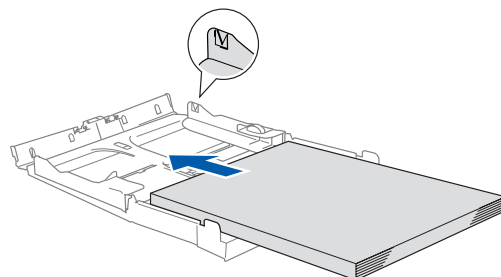


Използвайте удължителя на подложката при размери на хартията Letter, Legal и A4.

- 4 Разлистете хартията, за да избегнете засядане и лошото и подаване.

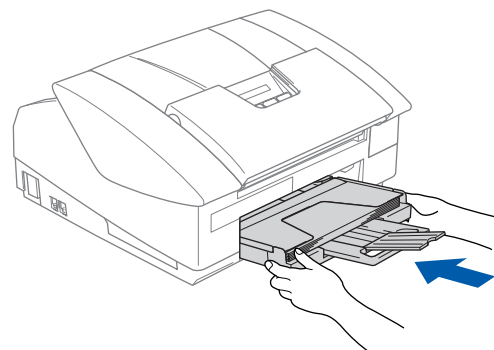


- 5 Внимателно поставете хартията в тавата с лицевата страна надолу и горния край напред. Проверете дали хартията е легнала равномерно в тавата и дали е под маркировката за максимално ниво на хартията.



- Уверете се, че страничните водачи се допират до краищата на хартията.
- Внимавайте да не поставите хартията прекалено навътре; тя може да се повдигне в задната част на тавата и да причини проблеми при подаването.

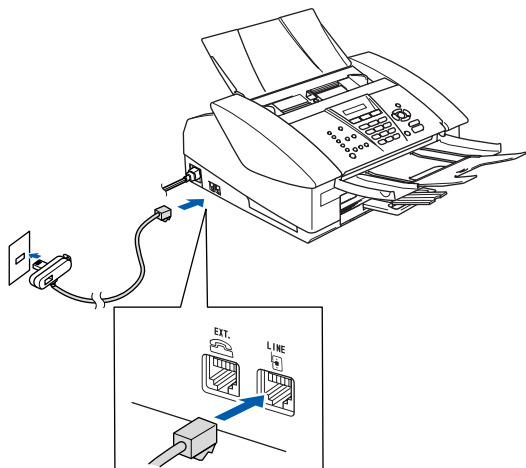
- 6 Поставете обратно капака на тавата и я сложете плътно в устройството.



3

Свързване на телефонна линия и захранващ кабел

- 1 Свържете захранващия кабел.
- 2 Свържете единия край на телефонния кабел към куплунга на машината, означен с **LINE** (линия), а другия към телефонната розетка.



(Пример за Великобритания)



Още **НЕ** свързвайте USB кабела.

⚠ **Внимание**

- Устройството трябва да бъде включен към заземен контакт.
- Докато свързвате включеното устройство към телефонната линия, вие сте защитени от евентуален токов удар по телефонната мрежа, тъй като то е заземено чрез контакта. По подобен начин, когато искате да преместите устройството, можете да се предпазите, като изключите първо телефонния, а след това - захранващия кабел.

4

Поставяне на касетите с мастило



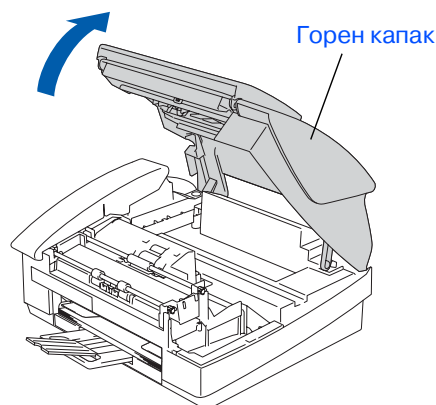
Внимание

Ако в очите ви попадне мастило, веднага ги измийте с вода, а ако се появи дразнене, консултирайте се с лекар.

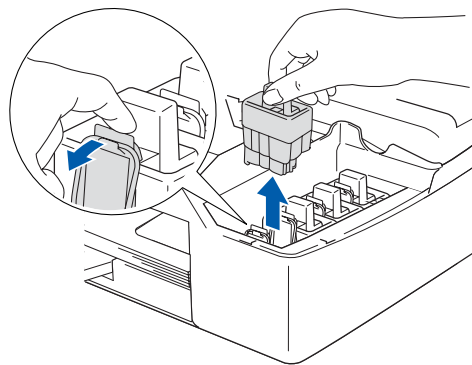
- 1 Уверете се, че устройството е включено.
Дисплеят показва:

No Cartridge

- 2 Отворете горния капак.



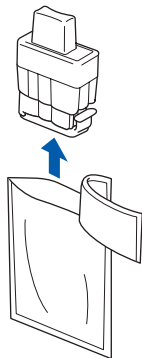
- 3 Отстранете предпазните елементи.



Не изхвърляйте предпазните елементи. Те ще ви бъдат необходими при транспортиране на устройството.

Продължение...

- 4 Извадете касетите с мастило.

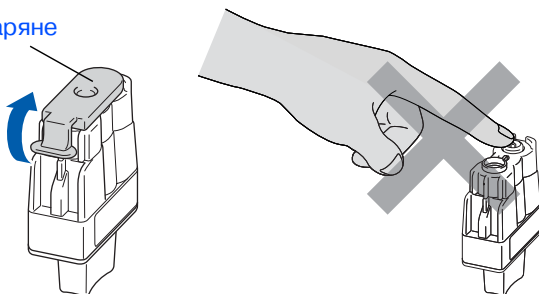


- 5 Внимателно отстранете долната капачка.



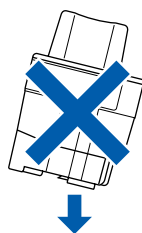
НЕ пипайте зоната, показана на илюстрацията по-долу.

Отваряне

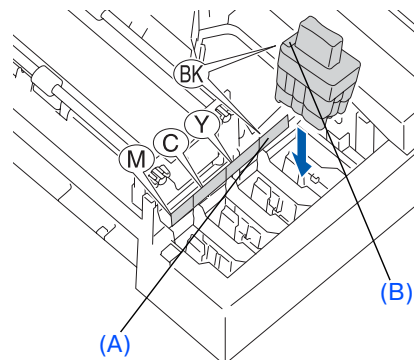


Ако капачката на касетата с мастило падне, докато я разпаковате, касетата няма да се повреди.

Дръжте касетата с мастило изправена, докато я поставяте в съответното гнездо.



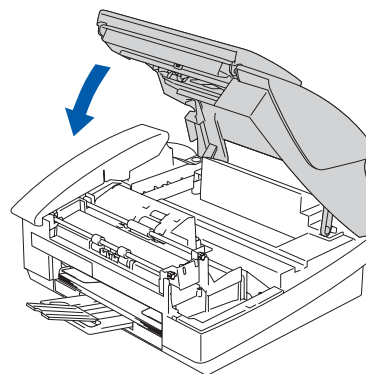
- 6 Натиснете касетата с мастило силно надолу, докато отгоре щракне палчето, като се стараете цветът на гнездото (A) да съвпадне с цвета на касетата (B), както е показано на диаграмата по-долу.



- 7 Затворете горния капак.

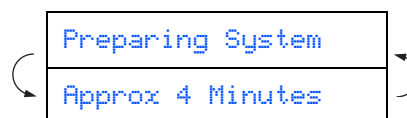


Ако **Install** (Инсталиране) се покаже на дисплея, след като сте поставили касетите с мастило, проверете дали те са поставени правилно.



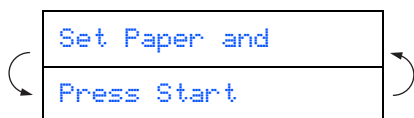
Устройството ще почисти каналите на системата за мастило при първата употреба. Този процес се извършва само веднъж при първоначалното поставяне на касетите с мастило. Процесът на почистване трае около четири минути.

Дисплеят показва:



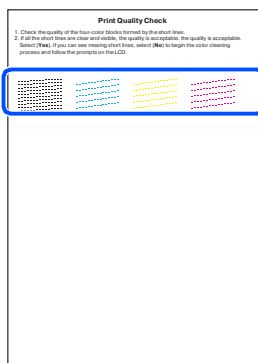
5 Проверка на качеството на печат

- 1 След като почистването приключи, дисплеят показва:



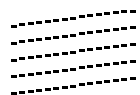
- 2 Уверете се, че тавата за хартия е заредена.
Натиснете **Colour Start** (Старт цветно). Устройството разпечатва СТРАНИЦА ЗА ПРОВЕРКА НА КАЧЕСТВОТО (само при първоначалното поставяне на касетите с мастило).

- 3 Проверете качеството на четирите цветни колонки, образувани от късите линии, отпечатани на листа.
(BLACK/ CYAN/ YELLOW/ MAGENTA)

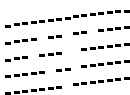


- 4 Ако всички линии са ясни и видими, качеството е приемливо. Натиснете **1 (Yes)** (Да). Ако видите, че някои от късите линии липсват, натиснете **2 (No)** (Не), за да започне процесът на почистване на цветовете, и следвайте указанията на дисплея.

ОК



Лошо



- 5 След като почистването приключи, натиснете **Colour Start** (Старт цветно). Устройството отново разпечатва СТРАНИЦА ЗА ПРОВЕРКА НА КАЧЕСТВОТО и се връща към Стъпка **3**.

6 Настройка на датата и часа

- 1 Натиснете **Menu/Set** (Меню/Настройки).
- 2 Натиснете **0**.
- 3 Натиснете **2**.
- 4 Въведете от клавиатурата последните две цифри за годината и натиснете **Menu/Set** (Меню/Настройки).

Year: 2004

(например въведете **04** за 2004 г.)

- 5 Въведете от клавиатурата двете цифри за месеца и натиснете **Menu/Set** (Меню/Настройки).

Month: 03

(например въведете **03** за м. март.)

- 6 Въведете от клавиатурата двете цифри за деня и натиснете **Menu/Set** (Меню/Настройки).

Day: 01

(например въведете **01**.)

- 7 Въведете от клавиатурата часа в 24-часов формат и натиснете **Menu/Set** (Меню/Настройки).

Time: 15:25

(например въведете **15, 25** за 3:25 P.M.)

- 8 Натиснете **Stop/Exit** (Стоп/Изход).



Ако искате да повторите въвеждането, натиснете **Stop/Exit** (Стоп/Изход), за да започнете от Стъпка **1**.

7 Настройка на ID

Трябва да въведете името и факс номера си, за да се отпечатват на всички страници, които изпращате.

- 1 Натиснете **Menu/Set** (Меню/Настройки).
- 2 Натиснете **0**.
- 3 Натиснете **3**.
- 4 Въведете от клавиатурата факс номера си (до 20 цифри) и натиснете **Menu/Set** (Меню/Настройки).

Fax: _

- 5 Въведете от клавиатурата името си (до 20 букви) и натиснете **Menu/Set** (Меню/Настройки).

Name: _



- Следвайте таблицата, за да въведете името си.
- Ако трябва да въведете 2 или повече последователни букви с един и същ клавиш, използвайте навигационния клавиш, за да преместите курсора надясно.

Натиснете клавиш	Един път	Два пъти	Три пъти	Четири пъти
2	A	B	C	2
3	D	E	F	3
4	G	H	I	4
5	J	K	L	5
6	M	N	O	6
7	P	Q	R	S
8	T	U	V	8
9	W	X	Y	Z



За повече подробности вижте "Настройка на ID" в Глава 2 на Ръководството на потребителя.

- 6 Натиснете **Stop/Exit** (Стоп/Изход).

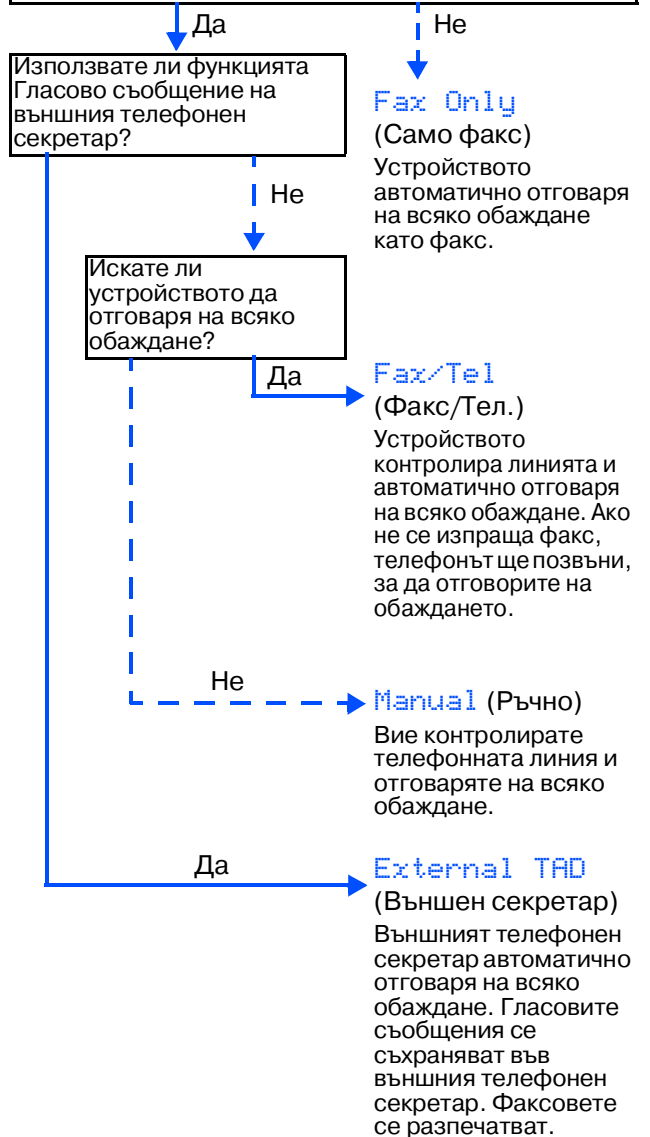


Ако искате да повторите въвеждането, натиснете **Stop/Exit** (Стоп/Изход), за да започнете от Стъпка 1.

8 Избор на режим за получаване

Има четири възможни режима за получаване: **Fax Only** (Само факс), **Fax/Tel** (Факс/Тел.), **Manual** (Ръчно) и **External TAD** (Външен секретар).

Свързвате ли външен телефон или външен телефонен секретар към устройството?



- 1 Натиснете **Menu/Set** (Меню/Настройки).
- 2 Натиснете **0**.
- 3 Натиснете **1**.
- 4 Натиснете **▲** или **▼**, за да изберете режима.
- 5 Натиснете **Menu/Set** (Меню/Настройки).
- 6 Натиснете **Stop/Exit** (Стоп/Изход).



За повече подробности вижте "Настройка на получаването" в Глава 4 на Ръководството на потребителя.

Продължете със Стъпка 2, Инсталиране на драйвера и софтуера



Следвайте инструкциите на тази страница за вашата операционна система и интерфейсен кабел.

Инсталация на
устройството

Windows®

■ Windows® 98/98SE/Me/2000 Professional/XP ...отидете на стр. 20

Windows®

Macintosh®

■ Mac OS® X 10.2.4 или по-нова версия ...отидете на стр. 22

Mac OS® X

■ Mac OS® 8.6 до 9.2отидете на стр. 23

Mac OS®
8.6 - 9.2

За Windows® 98/98SE/Me/2000 Professional/XP

Уверете се, че сте изпълнили инструкциите от Стъпка 1 "Инсталация на устройството" на страници 14 - 18.

- 1 Ако вече сте свързали интерфейсен кабел, изключете устройството от контакта и от компютъра.
- 2 Включете компютъра.
(Под Windows® 2000 Professional/XP трябва да влезете като администратор.)
- 3 Поставете компактдиска в CD-ROM устройството. Ако се появи екранът с имена на моделите, изберете вашия. Ако се появи екранът с езици, изберете вашия.



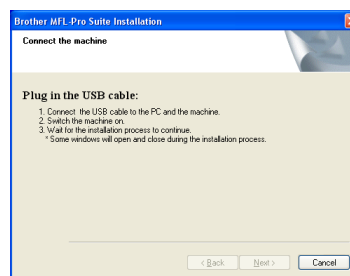
- 4 Появява се главното меню на компактдиска.
Натиснете **Install MFL-Pro Suite** (Инсталиране на MFL-Pro Suite).



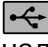
Ако този прозорец не се появи, използвайте Windows® Explorer, за да стартирате програмата **setup.exe** от основната директория на компактдиска Brother.

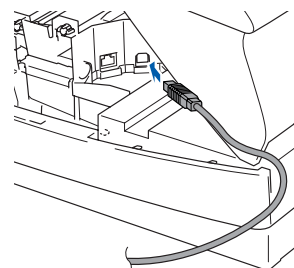
- 5 След като прочетете и приемете лицензното споразумение за ScanSoft® PaperPort® 9.0SE, натиснете **Yes** (Да).
- 6 Инсталацията на PaperPort® 9.0SE ще започне автоматично, последвана от инсталация на MFL-Pro Suite.
- 7 Когато се появи прозорецът с лицензното споразумение на софтуера Brother MFL-Pro Suite, натиснете **Yes** (Да), ако сте съгласни с него.
- 8 **Local Connection** (Локална връзка) и натиснете **Next** (Напред).
Инсталацията ще продължи.

- 9 Когато се появи този екран, свържете USB интерфейския кабел към компютъра и след това - към устройството.

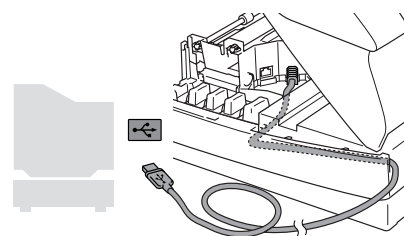


За да свържете USB интерфейския кабел към устройството:

1. Повдигнете горния капак до отворено положение.
2. Поставете USB кабела в USB порта, отбелязан със символа . USB портът се намира вляво над гнездата за касетите с мастило, както е показано по-долу.



3. Внимателно поставете USB кабела в канала, както е показано по-долу, като следвате извивката му в посока задната част на устройството.



Внимание

Уверете се, че кабелът не пречи на капача да се затвори, защото иначе може да възникне грешка. Внимателно затворете горния капак.

- 10 Внимателно затворете горния капак.
- 11 Включете устройството, като свържете захранващия кабел.
Инсталационните екрани ще се появят след няколко секунди.
Инсталацията на драйверите Brother ще започне автоматично.
Инсталационните екрани се появяват един след друг, затова изчакайте.
- 12 Когато се появят екраните за онлайн регистрация на Brother и ScanSoft, направете своя избор и следвайте инструкциите на екрана.
- 13 Натиснете **Finish** (Готово), за да рестартирате компютъра.
- 14 След като рестартирате компютъра, автоматично ще се включи Инсталационната диагностика и ще се покаже прозорец с резултатите от инсталацията.



*Ако инсталацията е неуспешна, опитайте отново, като използвате опцията **Repair MFL-Pro Suite** (Поправка на MFL-Pro Suite) от главното меню. Изберете **Repair MFL-Pro Suite** (Поправка на MFL-Pro Suite) и следвайте инструкциите на екрана.*

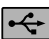
- ОК!** **MFL-Pro Suite, драйверът за принтера и драйверът за скенера са инсталирани и инсталацията приключи.**

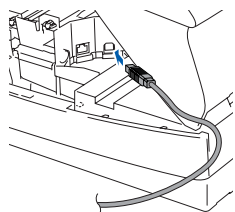
За Mac OS® X 10.2.4 или по-нова версия

Уверете се, че сте изпълнили инструкциите от Стъпка 1 "Инсталация на устройството" на страници 14 - 18.

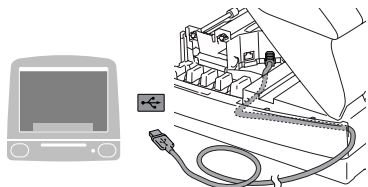
- 1 Ако вече сте свързали интерфейсен кабел, изключете устройството от контакта и от Macintosh®.
- 2 Включете своя Macintosh®.
- 3 Поставете компактдиска в CD-ROM устройството.
- 4 Кликнете два пъти върху иконата **Start Here OSX** (Начало OSX), за да инсталирате драйвера за принтера, драйвера за скенера и програмата Remote Setup. Ако се появи екранът с езици, изберете вашия.
- 5 Натиснете **MFL-Pro Suite**, за да извършите инсталацията.
- 6 Следвайте инструкциите на екрана и рестартирайте своя Macintosh®.
- 7 След като се появи прозорецът **DeviceSelector** (Селектор на устройства), свържете USB интерфейсния кабел със своя Macintosh® и след това - с устройството.
- 8 Свържете USB интерфейсния кабел със своя Macintosh® и след това - с устройството.

За да свържете USB интерфейсния кабел към устройството:

1. Повдигнете горния капак до отворено положение.
2. Поставете USB кабела в USB порта, отбелязан със символа . USB портът се намира вляво над гнездата за касетите с мастило, както е показано по-долу.



3. Внимателно поставете USB кабела в канала, както е показано по-долу, като следвате извивката му в посока задната част на устройството.



Внимание

Уверете се, че кабелът не пречи на капака да се затвори, защото иначе може да възникне грешка.



НЕ свързвайте устройството към USB порт на клавиатура или на незахранен USB хъб.

- 9 Внимателно затворете горния капак.
- 10 Включете устройството, като свържете захранващия кабел.
- 11 Изберете **Applications** (Приложения) от менюто **Go** (Старт).
- 12 Отворете папката **Utilities** (Помощни програми).
- 13 Отворете иконата **Print Center** (Център за печат).
- 14 Натиснете **Add** (Добавяне).
- 15 Изберете **USB**.
- 16 Изберете **MFC-XXXX** (XXXX е името на модела) и натиснете **Add** (Добавяне).
- 17 Изберете **Quit Printer Setup Utility** (Изход от помощната програма за инсталация на принтер) от менюто **Printer Setup Utility** (Помощна програма за инсталация на принтер).

OK! **MFL-Pro Suite, драйверите за принтера и скенера и програмата Remote Setup са инсталирани и инсталацията приключи.**

- 18 За да инсталирате Presto!® PageManager®, щракнете върху иконата **Presto! PageManager** и следвайте инструкциите на екрана.



С помощта на Presto!® PageManager® можете лесно да сканирате, споделяте и организирате снимки и документи.


OK! **Presto!® PageManager® е инсталиран и инсталацията приключи.**

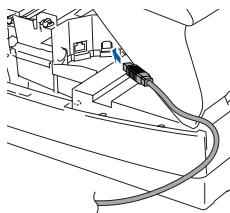
За Mac OS® 8.6 до 9.2

Уверете се, че сте изпълнили инструкциите от Стъпка 1 "Инсталация на устройството" на страници 14 - 18.

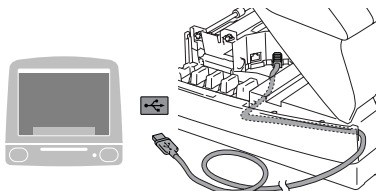
- 1 Ако вече сте свързали интерфейсен кабел, изключете устройството от контакта и от Macintosh®.
- 2 Включете своя Macintosh®.
- 3 Поставете компактдиска в CD-ROM устройството.



- 4 Кликнете два пъти върху иконата **Start Here** (Начало), за да инсталирате драйверите за принтера и скенера. Ако се появи екранът с езици, изберете вашия.
- 5 Натиснете **MFL-Pro Suite**, за да извършите инсталацията.
- 6 Следвайте инструкциите на екрана и рестартирайте своя Macintosh®.
- 7 Свържете USB интерфейския кабел със своя Macintosh® и след това - с устройството.
За да свържете USB интерфейския кабел към устройството:
 1. Повдигнете горния капак до отворено положение.
 2. Поставете USB кабела в USB порта, отбелязан със символа . USB портът се намира вляво над гнездата за касетите с мастило, както е показано по-долу.



3. Внимателно поставете USB кабела в канала, както е показано по-долу, като следвате извивката му в посока задната част на устройството.




Внимание

Уверете се, че кабелът не пречи на капака да се затвори, защото иначе може да възникне грешка.




НЕ свързвайте устройството към USB порт на клавиатура или на незахранен USB хъб.

- 8 Внимателно затворете горния капак.
- 9 Включете устройството, като свържете захранващия кабел.
- 10 От менюто Apple® отворете **Chooser** (Периферни устройства).
- 11 Кликнете върху иконата **Brother Ink**. Отдясно в **Chooser** (Периферни устройства) изберете устройството, на което искате да печатате. Затворете **Chooser** (Периферни устройства).
-  **Драйверите за принтера и скенера са инсталирани.**
- 12 За да инсталирате Presto!® PageManager®, кликнете върху иконата **Presto! PageManager** и следвайте инструкциите на екрана.



С помощта на Presto!® PageManager® можете лесно да сканирате, споделяте и организирате снимки и документи.

-  **Presto!® PageManager® е инсталиран и инсталацията приключи.**

Търговски марки

Графичният знак на Brother е регистрирана търговска марка на Brother Industries, Ltd.

Brother е регистрирана търговска марка на Brother Industries, Ltd.

Multi-Function Link е регистрирана търговска марка на Brother International Corporation.

© 2004 Brother Industries, Ltd. Всички права запазени.

Windows и Microsoft са регистрирани търговски марки на Microsoft в САЩ и в други страни.

Macintosh и True Type са регистрирани търговски марки на Apple Computer, Inc.

PaperPort и OmniPage OCR са регистрирани търговски марки на ScanSoft, Inc.

Presto! PageManager е регистрирана търговска марка на NewSoft Technology Corporation.

Всяка компания, чийто софтуер е споменат в това Ръководство, притежава Лицензно споразумение, специфично за собствените ѝ програми.

Всички марки и имена на продукти, споменати в това Ръководство, са регистрирани търговски марки на съответните компании.

Съставяне и публикуване

Това ръководство е съставено и публикувано под контрола на Brother Industries Ltd. на базата на най-новите описания и спецификации на продукта.

Съдържанието на това ръководство и спецификациите на този продукт може да бъдат променени без предизвестие.

Brother си запазва правото да прави промени без предизвестие в спецификациите и съдържащите се тук материали и не носи отговорност за каквито и да е вреди (включително последващи), възникнали вследствие на използването на предоставените материали, включително, но без ограничение до печатни и други грешки, свързани с публикацията.

Този продукт е предназначен за професионална употреба.

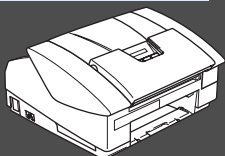
©2004 Brother Industries, Ltd.

Край на българската версия на Ръководството за Бързо Инсталиране

Înainte de a putea utiliza echipamentul, trebuie să instalați hardware-ul și apoi să instalați driverul.

Pentru a vă ajuta la instalarea echipamentului și la instalarea driverului și software-ului, va rugăm citiți acest "Ghid rapid de setare" și executați instrucțiunile simple cuprinse în ghid.

Pasul 1

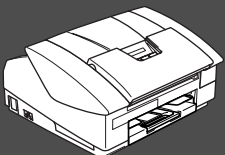


Instalarea și configurarea echipamentului

Pasul 2



Instalarea driverului și a software-ului



Instalarea și configurarea au fost finalizate!

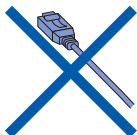
Pentru a descărca cele mai noi drivere și pentru a afla cea mai bună soluție la problemele sau întrebările dumneavoastră, accesați Brother Solutions Center (Centrul de Soluții Brother) direct din driver sau vizitați site-ul web <http://solutions.brother.com>

Păstrați acest "Ghid rapid de setare" într-un loc corespunzător și folosiți-l drept referință rapidă și facilă în orice moment.

1 Îndepărtarea părților cu rol de protecție

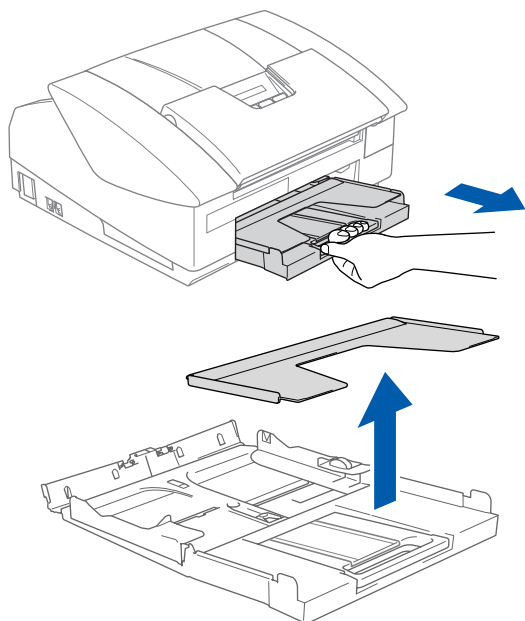
- 1 Îndepărtați banda și hârtia protectoare.

NU conectați cablul USB.
Conectarea cablului USB se face la instalarea driverului.



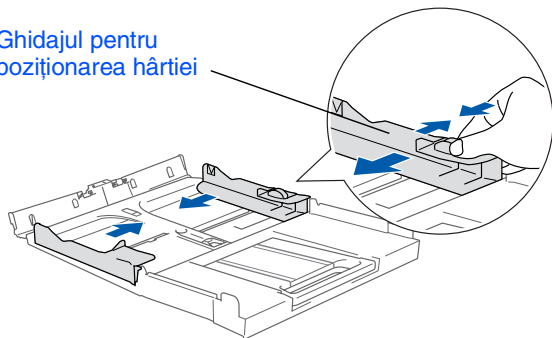
2 Încărcarea hârtiei

- 1 Trageți tava de hârtie complet în exteriorul echipamentului și îndepărtați tava pentru exemplarele tipărite.

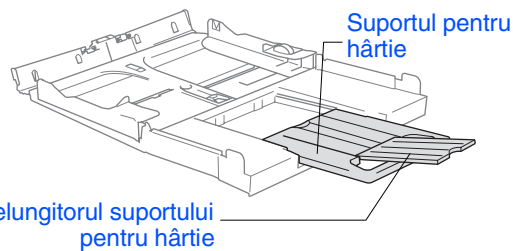


- 2 Apăsați și glisați ghidajul pentru hârtie pentru a corespunde lățimii hârtiei.

Ghidajul pentru poziționarea hârtiei

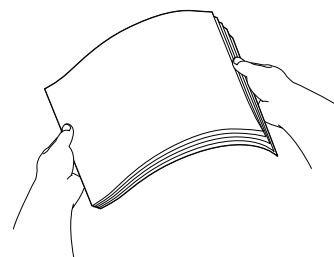


- 3 Trageți în exterior suportul pentru hârtie și desfaceți prelungitorul suportului.

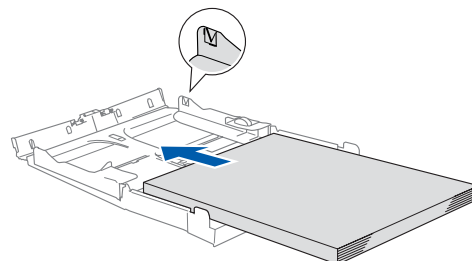


- Utilizați prelungitorul suportului pentru hârtia de mărime Letter, Legal sau A4.*

- 4 Răsfoiți și stivuiți bine hârtia pentru a evita blocarea hârtiei în imprimantă sau alimentarea eronată cu hârtie.

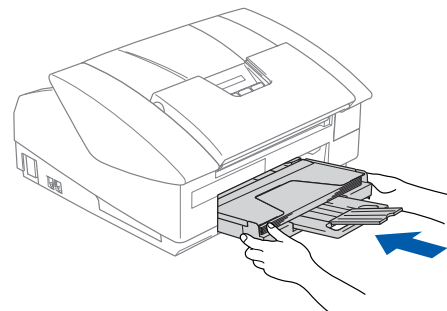


- 5 Introduceți cu grijă hârtia în tava pentru hârtie, cu fața pentru tipărire în jos și cu marginea de sus spre interior. Verificați că hârtia stă neted în tavă și că se află sub marcajul pentru volumul maxim de hârtie.



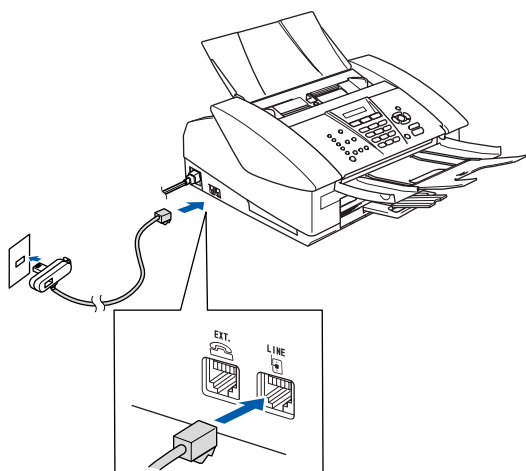
- Asigurați-vă că ghidajele laterale pentru hârtie ating marginile hârtiei.
- Nu împingeți hârtia prea tare în interior; ea se poate ridica în partea din spate a tăvii și poate cauza probleme de alimentare cu hârtie.

- 6 Puneți la loc tava pentru exemplarele tipărite și împingeți ferm la loc tava pentru hârtie în echipament.



3 Instalarea liniei telefonice și a cablului de alimentare

- 1 Conectați cablul de alimentare.
- 2 Conectați cablul pentru linia telefonică. Conectați un capăt al cablului la mufa de pe MFC care poartă marcajul **LINE** (LINIE) și celălalt capăt la o mufă modulară de perete.



(Exemplu pentru Marea Britanie)



Nu conectați cablul USB.

Avertizare

- Echipamentul trebuie alimentat de la o priză cu împământare.
- Din momentul în care echipamentul este împământat prin intermediul prizei, vă puteți proteja față de problemele electrice potențial periculoase apărute în rețeaua telefonică prin păstrarea tensiunii de alimentare atunci când conectați echipamentul la o linie telefonică. În mod similar, vă puteți proteja atunci când doriți să mutați echipamentul deconectând mai întâi linia telefonică și apoi cablul de alimentare.

4 Instalarea cartușelor de cerneală



Avertizare

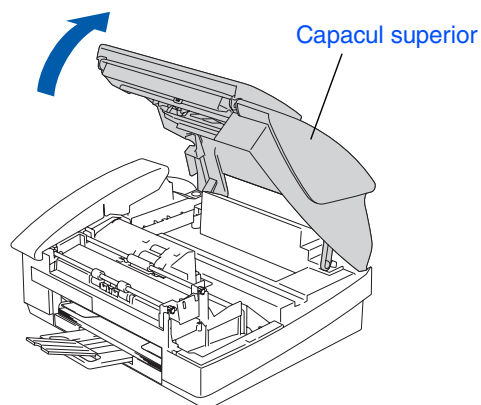
Dacă v-a pătruns cerneală în ochi, spălați-vă imediat pe ochi cu apă, iar în cazul apariției unei iritații consultați un doctor.

- 1 Asigurați-vă că echipamentul este alimentat.

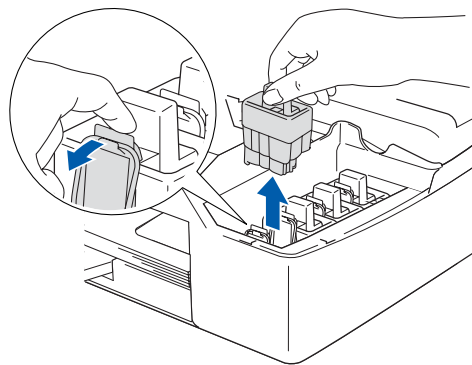
Ecranul LCD afișează:

No Cartridge

- 2 Deschideți capacul superior.



- 3 Îndepărtați părțile protectoare.

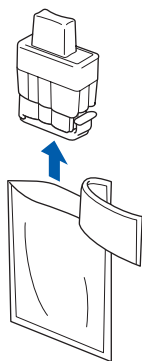


Nu aruncați aceste părți protectoare. Veți mai avea nevoie de ele atunci când transportați echipamentul.

Continuare...

Pasul 1 Instalarea și configurarea echipamentului

- 4 Scoateți cartușul de cerneală.

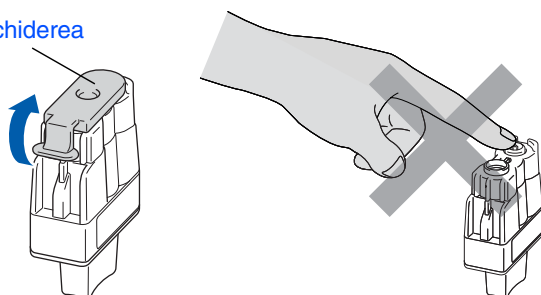


- 5 Îndepărtați cu grijă căpăcelul inferior.



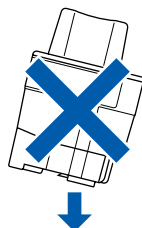
NU atingeți zona prezentată în ilustrația de mai jos.

Deschiderea

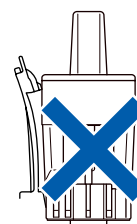
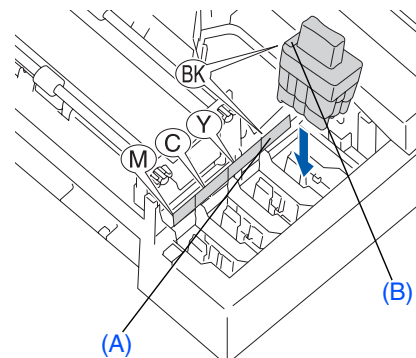


Cartușul nu se va deteriora în cazul în care capacul său se desface atunci când deschideți capsula.

Atunci când introduceți cartușul în slotul său, păstrați-l în poziție verticală.



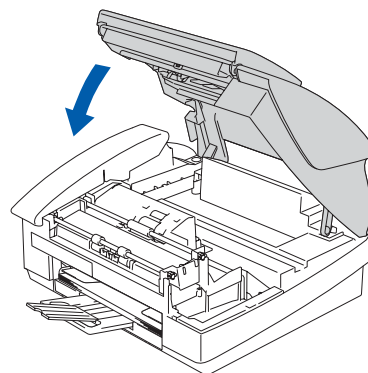
- 6 Apăsați cu putere pe cartușul de cerneală până când se fixează în locașul său, având grijă să potriviți culoarea slotului (A) cu culoarea cartușului (B), așa cum se arată în diagrama de mai jos.



- 7 Închideți capacul superior.

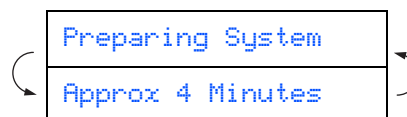


Dacă după instalarea cartușelor de cerneală ecranul LCD afișează **Install** (Instalare), verificați dacă ați introdus corect cartușele.



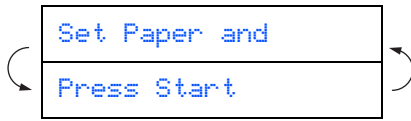
Echipamentul va curăța sistemul tubului de cerneală care este utilizat pentru prima oară. Acest proces va avea loc o singură dată, atunci când cartușele sunt instalate pentru prima oară. Procesul de curățare va dura aproximativ patru minute.

Ecranul LCD afișează:



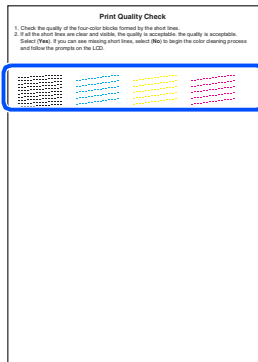
5 Controlul calității tipăririi

- 1 După finalizarea ciclului de curățare, ecranul LCD afișează:



- 2 Asigurați-vă că ați introdus hârtia în tava pentru hârtie. Apăsați **Colour Start** (Start color). Echipamentul începe să tipărească PRINT QUALITY CHECK SHEET (foaia pentru controlul calității tipăririi) (numai la instalarea inițială a cartușului de cerneală).

- 3 Verificați calitatea celor patru blocuri de culoare formate de liniile scurte tipărite pe foaie. (BLACK/ CYAN/ YELLOW/ MAGENTA)



- 4 Dacă toate liniile sunt clare și vizibile, calitatea este acceptabilă. Apăsați **1 (Yes)** (Da). Dacă vedeți linii scurte discontinue, apăsați **2 (No)** (Nu) pentru a iniția procesul de curățare și apoi procedați conform instrucțiunilor de pe ecranul LCD.

OK

Slab



- 5 După finalizarea operației de curățare, apăsați **Colour Start** (Start color). Echipamentul reîncepe tipărirea foii pentru controlul calității tipăririi și revine la pasul 3.

6 Setarea datei și orei

- 1 Apăsați **Menu/Set** (Meniu/Setare).
- 2 Apăsați **0**.
- 3 Apăsați **2**.
- 4 Tastați ultimele două cifre ale anului pe tastatură și apoi apăsați **Menu/Set** (Meniu/Setare).

Year: 2004

(de ex. Tastați **0 4** pentru 2004.)

- 5 Tastați două cifre corespunzătoare lunii pe tastatură și apoi apăsați **Menu/Set** (Meniu/Setare).

Month: 03

(de ex. Tastați **0 3** pentru Martie.)

- 6 Tastați două cifre corespunzătoare zilei pe tastatură și apoi apăsați **Menu/Set** (Meniu/Setare).

Day: 01

(de ex. Tastați **0 1**.)

- 7 Tastați ora în formatul cu 24 de ore pe tastatură și apoi apăsați **Menu/Set** (Meniu/Setare).

Time: 15:25

(de ex. Tastați **1 5, 2 5** pentru 3:25 P.M.)

- 8 Apăsați **Stop/Exit** (Stop/leșire).



*Dacă doriți să repetați intrarea, apăsați **Stop/Exit** (Stop/leșire) pentru a reîncepe de la Pasul 1.*

7 Setarea ID-ului stației

Trebuie să configurați echipamentul astfel încât numele și numărul dumneavoastră de fax să fie tipărite pe toate paginile pe care le trimiteți.

- 1 Apăsați **Menu/Set** (Meniu/Setare).
- 2 Apăsați **0**.
- 3 Apăsați **3**.
- 4 Tastați numărul de fax (până la 20 de cifre) pe tastatură și apoi apăsați **Menu/Set** (Meniu/Setare).

Fax: _

- 5 Utilizați tastatura pentru a vă tasta numele (până la 20 de caractere) și apoi apăsați **Menu/Set** (Meniu/Setare).

Name: _



- Pentru introducerea corectă a numelui consultați diagrama următoare.
- Dacă doriți să tastați un caracter care este pe aceeași tastă ca și cel precedent, utilizați tasta de navigare ca să mutați cursorul la dreapta.

Apăsați tasta	O dată	De două ori	De trei ori	De patru ori
2	A	B	C	2
3	D	E	F	3
4	G	H	I	4
5	J	K	L	5
6	M	N	O	6
7	P	Q	R	S
8	T	U	V	8
9	W	X	Y	Z



Pentru informații suplimentare, consultați "Setarea ID-ului stației" în Capitolul 2 al Ghidului utilizatorului.

- 6 Apăsați **Stop/Exit** (Stop/leșire).



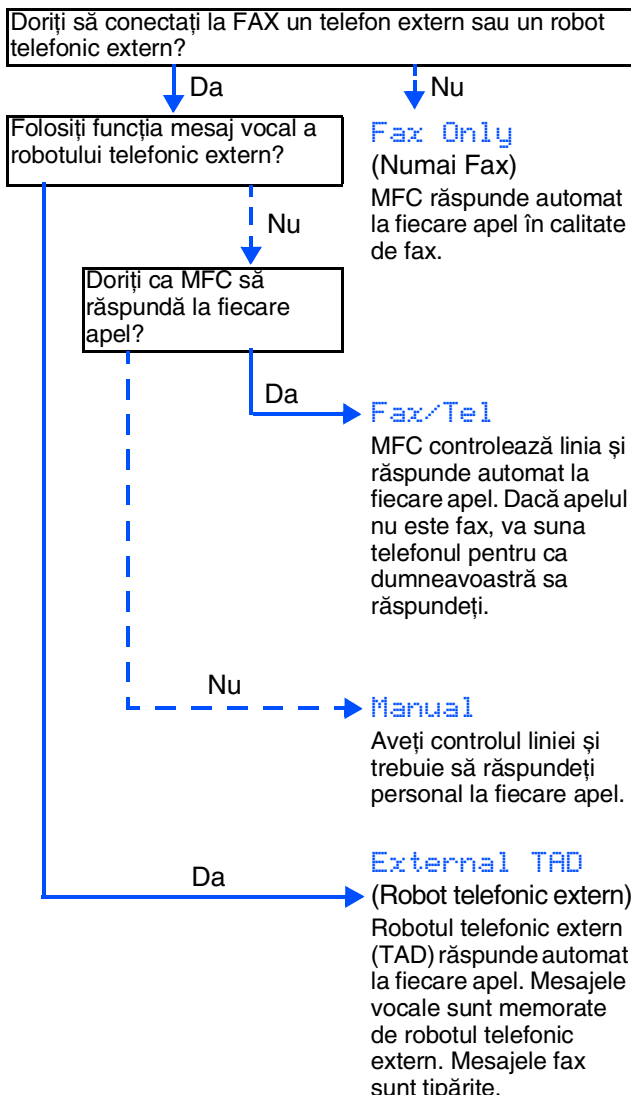
Dacă doriți să repetați intrarea, apăsați **Stop/Exit** (Stop/leșire) pentru a reîncepe de la Pasul 1.

8

Selectarea unui mod de primire

Există patru moduri de primire posibile:

Fax Only (Numai Fax), **Fax/Tel**, **Manual** și **External TAD** (Robot telefonic extern).



- 1 Apăsați **Menu/Set** (Meniu/Setare).
- 2 Apăsați **0**.
- 3 Apăsați **1**.
- 4 Apăsați ▲ sau ▼ pentru a selecta modul.
- 5 Apăsați **Menu/Set** (Meniu/Setare).
- 6 Apăsați **Stop/Exit** (Stop/leșire).



Pentru informații suplimentare, consultați "Configurarea primirii" în Capitolul 4 al Ghidului utilizatorului.

Continuați cu pasul 2, Instalarea driverului și software-ului



Executați instrucțiunile de pe această pagină pentru sistemul dvs. de operare și pentru cablul dvs. de interfață.

Instalarea și
configurarea
echipamentului

Windows®

Pentru utilizatorii cablului de interfață USB

- Windows® 98/98SE/Me/2000 Professional/XP ... mergeți la pagina 32

Windows®

Macintosh®

Pentru utilizatorii cablului de interfață USB

- Mac OS® X 10.2.4 sau o versiune ulterioară ... mergeți la pagina 34

Mac OS® X

Pentru utilizatorii cablului de interfață USB

- Mac OS® de la 8.6 la 9.2 mergeți la pagina 35

Mac OS®
8.6 - 9.2

Pentru utilizatorii cablului de interfață USB

Pentru Windows® 98/98SE/Me/2000 Professional/XP

Asigurați-vă că ați finalizat executarea instrucțiunilor de la Pasul 1 “Instalarea și configurarea echipamentului” de la paginile 26 - 30.

- 1 Deconectați echipamentul de la sursa de alimentare și de la calculator, dacă ați conectat deja un cablu de interfață.
- 2 Porniți calculatorul.
(Pentru Windows® 2000 Professional/XP, trebuie să fiți logat ca administrator.)
- 3 Introduceți CD-ROM-ul livrat cu echipamentul în unitatea CD-ROM. Dacă apare ecranul cu numele modelului, selectați echipamentul dumneavoastră. Dacă apare ecranul pentru limbă, selectați limba dorită.



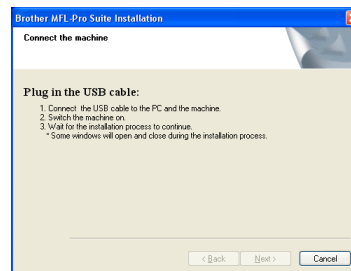
- 4 Va apărea meniul principal al discului CD-ROM. Executați clic pe **Install MFL-Pro Suite** (Instalare MFL-Pro Suite).



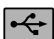
*Dacă nu apare această fereastră, utilizați Windows® Explorer pentru a executa programul **setup.exe** din directorul rădăcină al discului CD-ROM furnizat de Brother.*

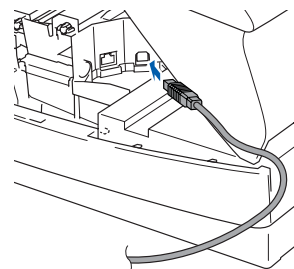
- 5 După citirea și acceptarea Convenției de Licență ScanSoft® PaperPort® 9.0SE, executați clic pe **Yes** (Da).
- 6 Instalarea PaperPort® 9.0SE va începe automat și este urmată de instalarea MFL-Pro Suite.
- 7 Atunci când pe ecran apare Convenția de Licență Software Brother MFL-Pro Suite, executați clic pe **Yes** (Da) dacă sunteți de acord cu termenii acestei licențe.
- 8 Selectați **Local Connection** (Conexiune locală) și apoi executați clic pe **Next** (Următor). Instalarea va continua.

- 9 Atunci când apare acest ecran, conectați cablul de interfață USB la PC și apoi la echipament.

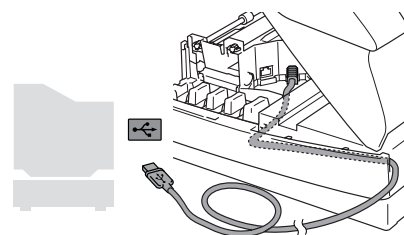


Pentru a conecta cablul USB la echipament:

1. Deschideți capacul scannerului aducându-l în poziția deschis.
2. Conectați cablul USB la mufa USB, marcată cu un simbol . Mufa USB se găsește deasupra și în stânga față de sloturile pentru cartușul de imprimantă, așa cum se arată mai jos.



3. Ghidați cu grijă cablul USB în canalul adecvat, așa cum se arată mai jos, urmărind canalul de ghidare în jurul și către partea din spate a echipamentului.



Avertizare

Asigurați-vă că acest cablu nu împiedică închiderea capacului, în caz contrar se pot produce erori. Închideți ușor capacul.

- 10 Închideți ușor capacul superior.
- 11 Porniți echipamentul introducând în priză cablul de alimentare.
Va dura câteva secunde până să apară ecranul de instalare.
Instalarea driverelor Brother va începe automat. Ecranele de instalare apar unul după altul, vă rugăm așteptați puțin.
- 12 Atunci când este afișat ecranul de înregistrare on-line Brother și ScanSoft, efectuați selecția corespunzătoare și executați instrucțiunile de pe ecran.
- 13 Executați clic pe **Finish** (Finalizare) pentru a reporni calculatorul.
- 14 După repornirea calculatorului va rula automat programul Installation Diagnostics (diagnosticarea instalării) și va fi afișată fereastra cu rezultatele instalării.



*Dacă instalarea a eșuat, încercați să instalați din nou folosind opțiunea **Repair MFL-Pro Suite** (Reparare MFL-Pro Suite) din meniul principal. Selectați **Repair MFL-Pro Suite** (Reparare MFL-Pro Suite) și executați instrucțiunile de pe ecran.*

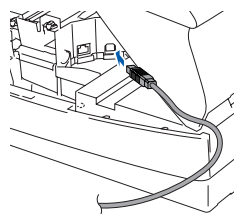
- OK!** În acest moment, pachetul MFL-Pro Suite, driverele imprimantei și scannerului Brother au fost instalate și instalarea este completă.

Pentru utilizatorii cablului de interfață USB

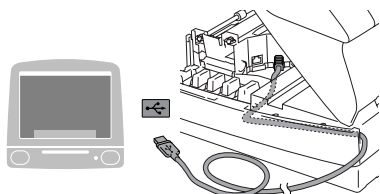
Pentru Mac OS® X 10.2.4 sau o versiune ulterioară

Asigurați-vă că ați finalizat executarea instrucțiunilor de la Pasul 1 “Instalarea și configurarea echipamentului” de la paginile 26 - 30.

- 1 Deconectați echipamentul de la sursa de alimentare și de la Macintosh®, dacă ați conectat deja un cablu de interfață.
- 2 Deschideți Macintosh-ul®.
- 3 Introduceți CD-ROM-ul livrat cu echipamentul în unitatea CD-ROM.
- 4 Executați dublu clic pe pictograma **Start Here OSX** (Începeți aici OSX) pentru a instala driverul de imprimantă, driverul de scanner și programul Remote Setup (pentru configurare de la distanță). Dacă apare ecranul pentru limbă, selectați limba dorită.
- 5 Executați clic pe **MFL-Pro Suite** pentru a realiza instalarea.
- 6 Executați instrucțiunile de pe ecran, și restartați Macintosh-ul®.
- 7 După ce apare fereastra **DeviceSelector** (SelectorDispozitiv), conectați cablul de interfață USB la Macintosh® și apoi la echipament.
- 8 Conectați cablul de interfață USB la Macintosh® și apoi la echipament.
Pentru a conecta cablul USB la echipament:
 1. Deschideți capacul scannerului aducându-l în poziția deschis.
 2. Conectați cablul USB la mufa USB, marcată cu un simbol . Mufa USB se găsește deasupra și în stânga față de sloturile pentru cartușul de imprimantă, așa cum se arată mai jos.



3. Ghidați cu grijă cablul USB în canalul adecvat, așa cum se arată mai jos, urmărind canalul de ghidare în jurul și către partea din spate a echipamentului.



Avertizare

Asigurați-vă că acest cablu nu împiedică închiderea capacului, în caz contrar se pot produce erori.



NU conectați echipamentul la un port USB de pe o tastatură sau la un hub USB nealimentat.

- 9 Închideți ușor capacul superior.
 - 10 Porniți echipamentul introducând în priză cablul de alimentare.
 - 11 Selectați **Applications** (Aplicații) din meniul **Go** (Pornire).
 - 12 Deschideți directorul **Utilities** (Instrumente).
 - 13 Deschideți pictograma **Print Center** (Centru tipărire).
 - 14 Executați clic pe **Add** (Adăugare).
 - 15 Selectați **USB**.
 - 16 Selectați **MFC-XXXX** (XXXX este numele modelului), și apoi executați clic pe **Add** (Adăugare).
 - 17 Selectați **Quit Printer Setup Utility** (Părăsire instrument configurare imprimantă) din meniul **Printer Setup Utility** (Instrument configurare imprimantă).
- OK!** În acest moment pachetul **MFL-Pro Suite**, driverele imprimantei și scannerului Brother și programul **Remote Setup** (configurare de la distanță) au fost instalate și instalarea este completă.
- 18 Pentru a instala **Presto!® PageManager®**, executați clic pe pictograma **Presto! PageManager** și executați instrucțiunile de pe ecran.




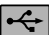
Puteți cu ușurință scana, partaja și organiza fotografiile și documente utilizând **Presto! PageManager®**.

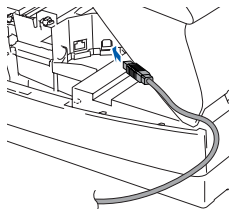


În acest moment **Presto!® PageManager®** a fost instalat și instalarea este completă.

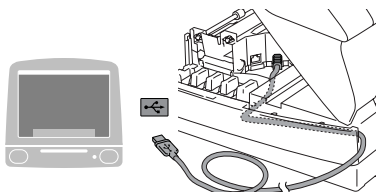
Pentru Mac OS® de la 8.6 la 9.2

Asigurați-vă că ați finalizat executarea instrucțiunilor de la Pasul 1 “Instalarea și configurarea echipamentului” de la paginile 26 - 30.

- 1 Deconectați echipamentul de la sursa de alimentare și de la Macintosh®, dacă ați conectat deja un cablu de interfață.
 - 2 Deschideți Macintosh-ul®.
 - 3 Introduceți CD-ROM-ul livrat cu echipamentul în unitatea CD-ROM.
- 
- 4 Executați dublu clic pe pictograma **Start Here** (Începeți aici) pentru instalarea driverelor imprimantei și scannerului. Dacă apare ecranul pentru limbă, selectați limba dorită.
 - 5 Executați clic pe **MFL-Pro Suite** pentru a realiza instalarea.
 - 6 Executați instrucțiunile de pe ecran, și restartați Macintosh-ul®.
 - 7 Conectați cablul de interfață USB la Macintosh® și apoi la echipament.
Pentru a conecta cablul USB la echipament:
 1. Deschideți capacul scannerului aducându-l în poziția deschis.
 2. Conectați cablul USB la mufa USB, marcată cu un simbol . Mufa USB se găsește deasupra și în stânga față de sloturile pentru cartușul de imprimantă, așa cum se arată mai jos.



3. Ghidați cu grijă cablul USB în canalul adecvat, așa cum se arată mai jos, urmărind canalul de ghidare în jurul și către partea din spate a echipamentului.



Avertizare

Asigurați-vă că acest cablu nu împiedică închiderea capacului, în caz contrar se pot produce erori.



NU conectați echipamentul la un port USB de pe o tastatură sau la un hub USB nealimentat.

- 8 Închideți ușor capacul superior.
 - 9 Porniți echipamentul introducând în priză cablul de alimentare.
 - 10 Din meniul Apple®, deschideți **Chooser** (Selector).
 - 11 Executați clic pe pictograma **Brother Ink**. În partea dreaptă a pictogramei **Chooser** (Selector), selectați echipamentul cu care doriți să tipăriți. Închideți **Chooser** (Selector).
- OK!** **Driverelor imprimantei și scannerului Brother au fost instalate.**
- 12 Pentru a instala Presto!® PageManager®, executați clic pe pictograma **Presto! PageManager** și executați instrucțiunile de pe ecran.



Puteți cu ușurință scana, partaja și organiza fotografiile și documentele utilizând Presto!® PageManager®.



În acest moment Presto!® PageManager® a fost instalat și instalarea este completă.

Mărci comerciale

Sigla Brother este marcă înregistrată a companiei Brother Industries, Ltd.

Brother este marcă înregistrată a companiei Brother Industries, Ltd.

Multi-Function Link este marcă înregistrată a Corporației Brother International.

© Copyright 2004 Brother Industries, Ltd. Toate drepturile rezervate.

Windows și Microsoft sunt mărci înregistrate ale Microsoft în S.U.A. și în alte țări.

Macintosh și True Type sunt mărci înregistrate ale Apple Computer, Inc.

PaperPort și OmniPage OCR sunt mărci înregistrate ale ScanSoft, Inc.

Presto! PageManager este marcă înregistrată a NewSoft Technology Corporation.

Fiecare companie care are un software menționat în acest manual are o Convenție de Licență Software specifică programelor proprietare.

Toate celelalte mărci și nume de produse menționate în acest manual sunt mărci comerciale înregistrate ale companiilor respective.

Compilare și publicare

Acest manual, care acoperă cele mai recente descrieri și specificații ale produselor, a fost compilat și publicat sub supravegherea companiei Brother Industries Ltd.

Conținutul acestui manual precum și specificațiile produselor se pot modifica fără o notificare prealabilă.

Compania Brother își rezervă dreptul de a efectua modificări, fără notificare prealabilă, ale specificațiilor și materialelor conținute în acest document și nu poate fi făcută răspunzătoare pentru nici un fel de daune (inclusiv indirecte) cauzate de încrederea în materialele prezentate, inclusiv, dar fără a se limita la, erorile tipografice și alte erori aferente procesului de publicare.

Acest produs este destinat utilizării într-un mediu profesional.

©2004 Brother Industries, Ltd.

Română Ghidul de instalare rapidă s-a încheiat.

At your side.
brother®



ENG/BUL/ROM

LP0009001

Printed in China

Отпечатано в Китай

Tipărit în China