

Brother Quick Setup Guide

FAX-T98

THANK YOU!

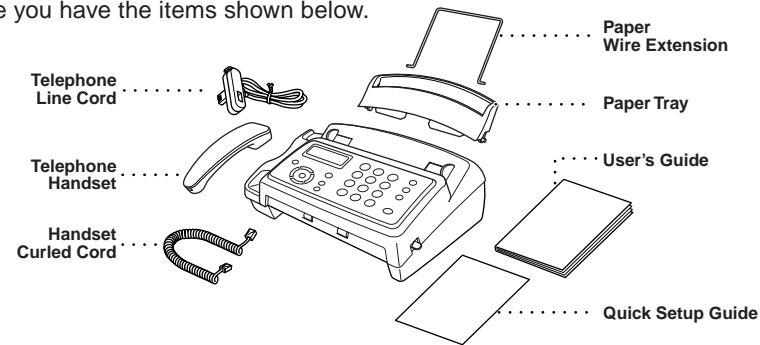
... FOR PURCHASING YOUR BROTHER MACHINE.
WE ARE SURE YOU WILL BE IMPRESSED WITH THE
CONVENIENT WAY THAT YOUR NEW MACHINE HANDLES YOUR
FAXING NEEDS!

To get started quickly, follow these simple instructions in
numerical order.

For greater detail and a full explanation of other useful features,
consult your User's Guide.

1 Packing List

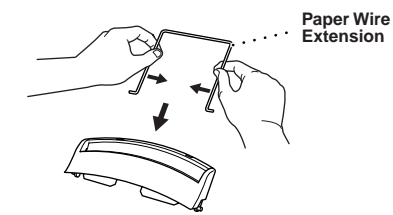
Make sure you have the items shown below.



- ! Keep the packing materials for possible future transport. If you do not pack the machine properly, it could damage your fax and may void your warranty.
To help you get your fax machine working from the outset, we have included a free starter ribbon (print cartridge) giving you up to 30 pages of print.

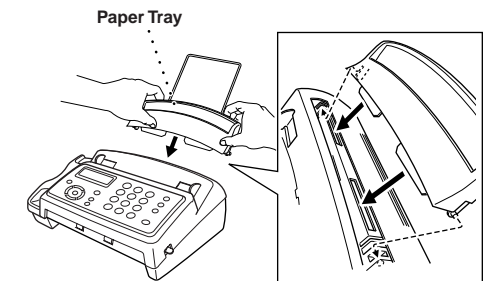
2 Attach the paper wire extension and paper tray

A. Attach the paper wire extension.



B. Attach the paper tray.

Make sure the wide pins on the paper tray are inserted firmly into the pockets on the top edge of your machine.

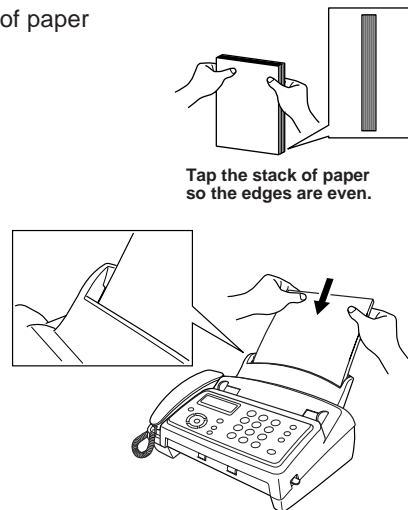


3 Load the Paper

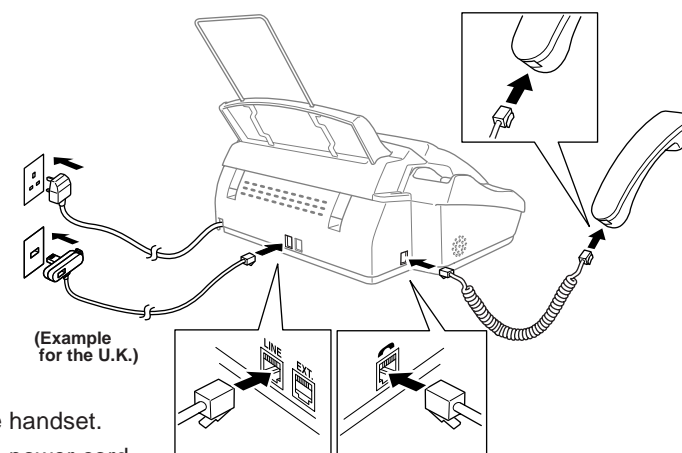
Place up to 30 (64 g/m² – 90 g/m²) sheets of paper in the paper tray.

Acceptable Paper

Size: A4
Weight: 64 to 90 g/m²
Thickness: 0.08 to 0.10 mm
Capacity: Up to 30 sheets

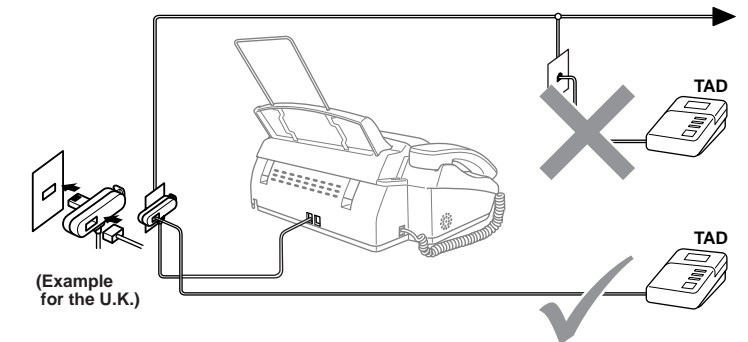


4 Connect the handset, power cord and telephone line cord



- A. Connect the handset.
B. Connect the power cord.
C. Connect the telephone line cord to the socket on the Fax marked LINE.

5 If you are sharing one phone line with an external telephone answering device, connect it now as shown below.



For more details, see chapter 1, "Connecting an External Telephone Answering Device (TAD)" in the User's Guide.

6 Set Date and Time

- A. Press **Menu/Set**, ①, ②.
B. Enter the last two digits of the year, and then press **Menu/Set**.
C. Enter two digits for the month, and then press **Menu/Set**.
D. Enter two digits for the day, and then press **Menu/Set**.
E. Enter the time in 24-hour format, and then press **Menu/Set**.
F. Press **Stop**.

ENTER YEAR: 20--
ENTER & SET

ENTER MONTH: --
ENTER & SET

ENTER DAY: --
ENTER & SET

ENTER TIME: --:--
ENTER & SET

7 Set Station ID

- A. Press **Menu/Set**, ①, ③.
B. Enter your fax number (up to 20 digits), and then press **Menu/Set**.
C. Enter your telephone number (up to 20 digits), and then press **Menu/Set**.
D. Enter your name (up to 20 characters) using the dial pad and the chart, and then press **Menu/Set**. To enter a space press **Space** twice.
E. Press **Stop**.

FAX:
ENTER & SET

TEL:
ENTER & SET

NAME:
ENTER & SET

Press Key	once	twice	three times	four times	five times
2	A	B	C	2	A
3	D	E	F	3	D
4	G	H	I	4	G
5	J	K	L	5	J
6	M	N	O	6	M
7	P	Q	R	7	P
8	T	U	V	8	T
9	W	X	Y	9	W

8 Select Receive Mode

Choose the mode that best suits your needs by pressing **Receive Mode** repeatedly until the screen displays the setting you want to use.

- FAX ONLY** For use with a dedicated fax line. Every call is answered as a fax.
FAX/TEL For receiving fax and voice calls on one line.
MANUAL For receiving fax and voice calls on one line. You control the phone line and must answer every call yourself.
TAD:MSG MGR A built-in answering machine answers every call and stores voice and fax messages. For details, see chapter 9 of the User's Guide.

For more details, see chapter 5, "Choosing the Receive Mode" in the User's Guide.