

Brother Quick Setup Guide

FAX-T94, FAX-T96

THANK YOU!

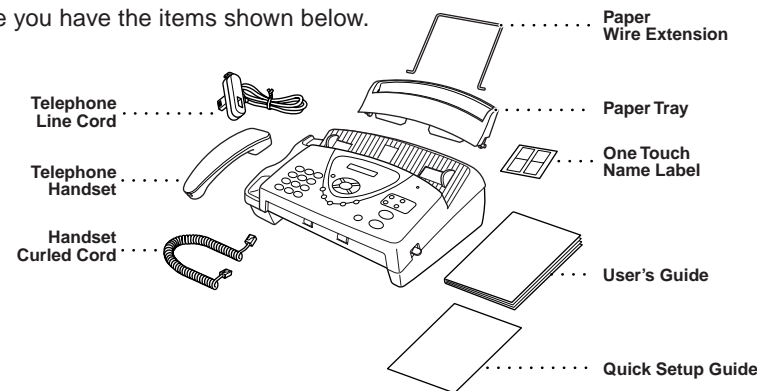
... FOR PURCHASING YOUR BROTHER MACHINE. WE ARE SURE YOU WILL BE IMPRESSED WITH THE CONVENIENT WAY THAT YOUR NEW MACHINE HANDLES YOUR FAXING NEEDS!

To get started quickly, follow these simple instructions in numerical order.

For greater detail and a full explanation of other useful features, consult your User's Guide.

1 Packing List

Make sure you have the items shown below.

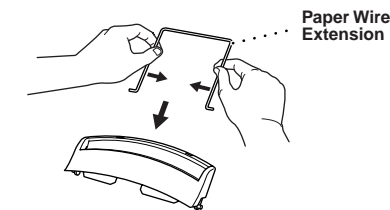


Keep the packing materials for possible future transport. If you do not pack the machine properly, it could damage your fax and may void your warranty.

To help you get your fax machine working from the outset, we have included a free starter ribbon (print cartridge) giving you up to 30 pages of print.

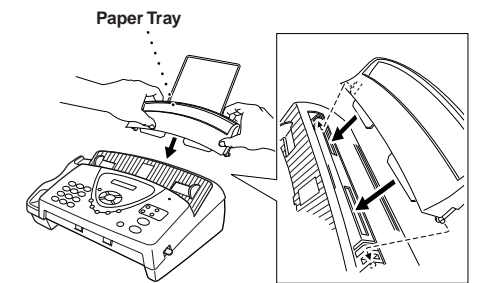
2 Attach the paper wire extension and paper tray

A. Attach the paper wire extension.



B. Attach the paper tray.

Make sure the wide pins on the paper tray are inserted firmly into the pockets on the top edge of your machine.



3 Load the Paper

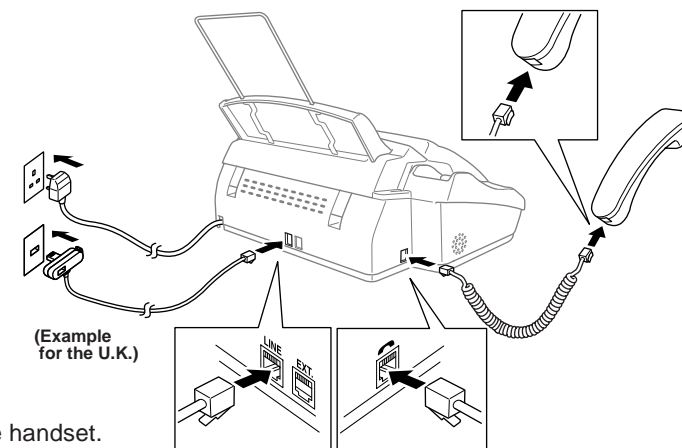
Place up to 30 (64 g/m² – 90 g/m²) sheets of paper in the paper tray.

Acceptable Paper

Size: A4
Weight: 64 to 90 g/m²
Thickness: 0.08 to 0.10 mm

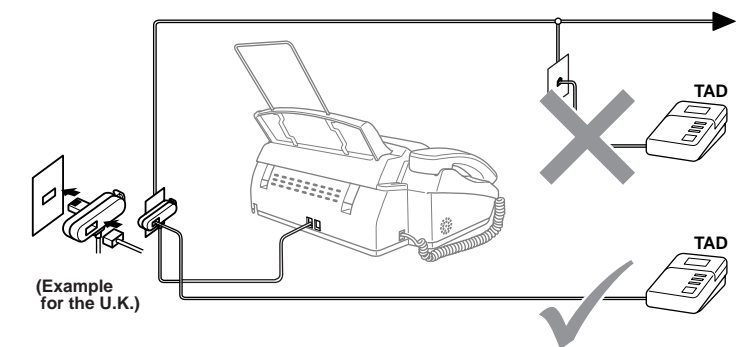


4 Connect the handset, power cord and telephone line cord



- Connect the handset.
- Connect the power cord.
- Connect the telephone line cord to the machine in the socket marked LINE.

5 If you are sharing one phone line with an external telephone answering device, connect it now as shown below.



For more details, see chapter 1, "Connecting an External Telephone Answering Device (TAD)" in the User's Guide.

6 Set Date and Time

- Press **Menu/Set**, **1**, **2**.
- Enter the last two digits of the year, and then press **Menu/Set**.
- Enter two digits for the month, and then press **Menu/Set**.
- Enter two digits for the day, and then press **Menu/Set**.
- Enter the time in 24-hour format, and then press **Menu/Set**.
- Press **Stop/Exit**.

7 Set Station ID

- Press **Menu/Set**, **1**, **3**.
- Enter your fax number (up to 20 digits), and then press **Menu/Set**.
- Enter your telephone number (up to 20 digits), and then press **Menu/Set**.
- Enter your name (up to 20 characters) using the dial pad and the chart, and then press **Menu/Set**. To enter a space press **0** twice.
- Press **Stop/Exit**.

Press Key	once	twice	three times	four times	five times
2	A	B	C	2	A
3	D	E	F	3	D
4	G	H	I	4	G
5	J	K	L	5	J
6	M	N	O	6	M
7	P	Q	R	7	P
8	T	U	V	8	T
9	W	X	Y	9	W

8 Select Receive Mode

Choose the mode that best suits your needs by pressing **Receive Mode** repeatedly until the screen displays the setting you want to use.

- For use with a dedicated fax line. Every call is answered as a fax.
 - For receiving fax and voice calls on one line.
 - (FAX-T94 only) For use with an external answering device. The TAD answers every call and stores voice messages. Fax messages are printed.
 - For receiving fax and voice calls on one line. You control the phone line and must answer every call yourself.
- Once an Outgoing message has been recorded, you can choose the mode below by pressing **0** until it lights. (FAX-T96 only)
- A built-in answering machine answers every call and stores voice and fax messages. For details, see chapter 9 of the User's Guide.

For more details, see chapter 5, "Choosing the Receive Mode" in the User's Guide.