

# Brother Quick Setup Guide

FAX-717, FAX-727, FAX-737MC

## THANK YOU!

... FOR PURCHASING YOUR BROTHER MACHINE.  
WE ARE SURE YOU WILL BE IMPRESSED WITH THE CONVENIENT WAY THAT YOUR NEW MACHINE PERFORMS SO MANY TASKS WITH GREAT RESULTS!

Follow these simple instructions in numerical order.

For greater detail, consult your User's Guide.

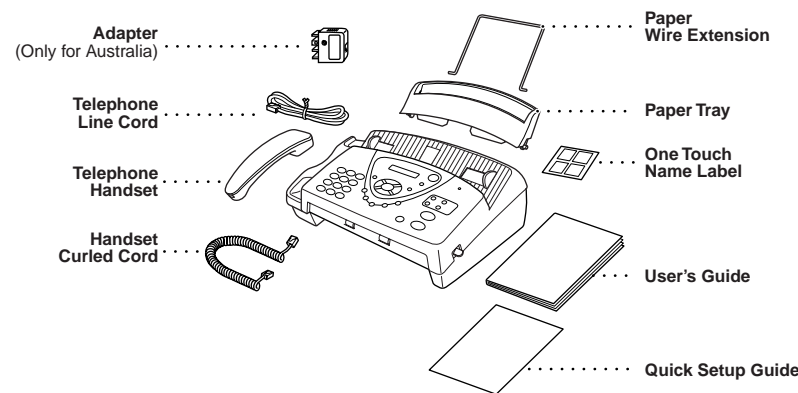
Alternatively, if you cannot solve a problem:

Refer to **Frequently Asked Questions (FAQ's)** on Brother World Wide Web Site:

URL: <http://www.brother.com>

## 1 Packing List

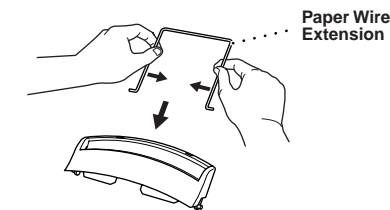
Make sure you have the items shown below.



- !** Keep the packing materials for possible future transport. Failure to pack the machine properly may damage the machine and such damages will not be covered under your warranty.

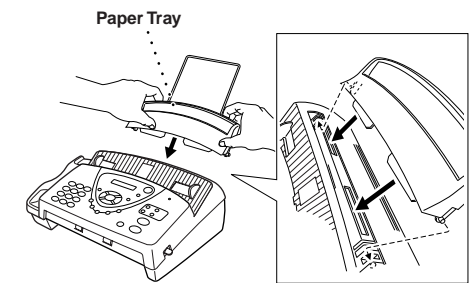
## 2 Attach the paper wire extension and paper tray

### A. Attach the paper wire extension.



### B. Attach the paper tray.

Make sure the wide pins on the paper tray are inserted firmly into the pockets on the top edge of the machine.



## 3 Load the Paper

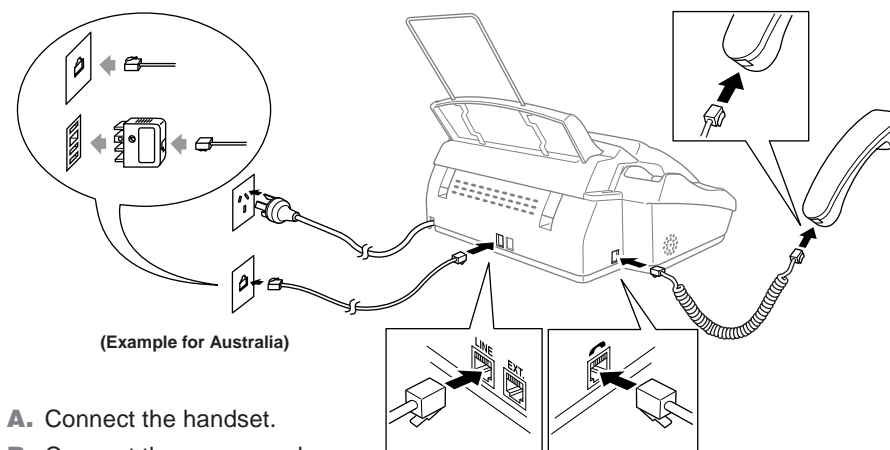
Place up to 30 sheets of paper in the paper tray.

### Acceptable Paper

**Size:** A4  
**Weight:** 64 to 90 gsm  
**Thickness:** 0.08 – 0.10 mm

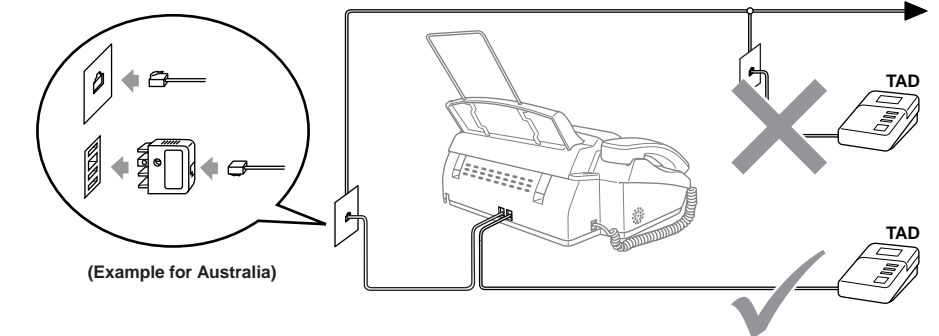


## 4 Connect the handset, power cord and telephone line cord



- A.** Connect the handset.  
**B.** Connect the power cord.  
**C.** Connect the telephone line cord.

## 5 If you are sharing one phone line with an external telephone answering device, connect it now



For more details, see Preparation and Simple Use Guide "Connecting an External Telephone Answering Device (TAD)" in User's Guide.

## 6 Set Date and Time

**A.** Press **Menu/Set**, **1**, **2**.

**2. DATE/TIME**

**B.** Enter the last two digits of the year, and then press **Menu/Set**.

**ENTER YEAR: 20--**

**C.** Enter two digits for the month, and then press **Menu/Set**.

**ENTER MONTH: --**

**D.** Enter two digits for the day, and then press **Menu/Set**.

**ENTER DAY: --**

**E.** Enter the time in 24-hour format, and then press **Menu/Set**.

**ENTER TIME: --:--**

**F.** Press **Stop/Exit**.

## 7 Set Station ID

**A.** Press **Menu/Set**, **1**, **3**.

**3. STATION ID**

**B.** Enter your fax number (up to 20 digits), and then press **Menu/Set**.

**FAX:**

**C.** Enter your telephone number (up to 20 digits), and then press **Menu/Set**.

**TEL:**

**D.** Enter your name (up to 20 characters) using the dial pad and the chart, and then press **Menu/Set**. To enter a space press **⏏** twice.

**NAME:**

**E.** Press **Stop/Exit**.

Press Key	once	twice	three times	four times	five times
2	A	B	C	2	A
3	D	E	F	3	D
4	G	H	I	4	G
5	J	K	L	5	J
6	M	N	O	6	M
7	P	Q	R	7	P
8	T	U	V	8	T
9	W	X	Y	9	W

## 8 Select Receive Mode

Choose the mode that best suits your needs by pressing **Receive Mode** repeatedly until the screen displays the setting you want to use.

- FAX ONLY** For use with a dedicated fax line. Every call is answered as a fax.
- FAX/TEL** For receiving many fax and few voice calls on one line.
- TAD: ANSWER MACH.** (FAX-717/727 only) For use with an external answering device. The TAD answers every call and stores voice messages. Fax messages are printed.
- MANUAL** For receiving fax and voice calls on one line. You control the phone line and must answer every call yourself.

Once an Outgoing message has been recorded, you can choose the mode below by pressing **⏏** until it lights. (FAX-737MC only)

- MC: MSG CTR** A built-in answering machine answers every call and stores voice and fax messages. For details, see chapter 12 "Message Centre" in User's Guide.

For more details, see chapter 3 "Receiving a Fax" in User's Guide.