

Before you can use the machine, you must set up the hardware and install the software. Please read this "Quick Setup Guide" for the correct setup procedure and installation instructions.

Step 1



Setting Up the machine

Step 2



Installing the Drivers & Software



Setup is Complete!

Keep this "Quick Setup Guide", User's Guide and supplied CD-ROM in a convenient place for quick and easy reference at all times.

Setting Up
the machine

Windows®
USB

Windows®
Parallel

Windows
NT® 4.0
Parallel






Windows®
Network

Macintosh®
USB

Macintosh®
Network

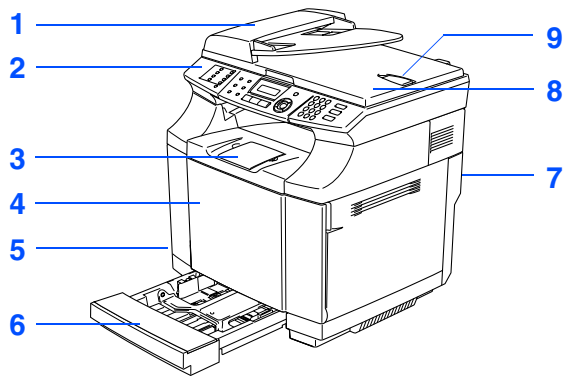
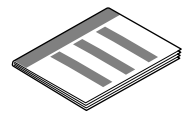
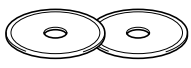
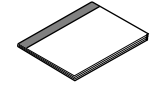
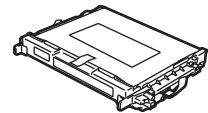


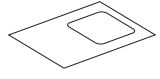
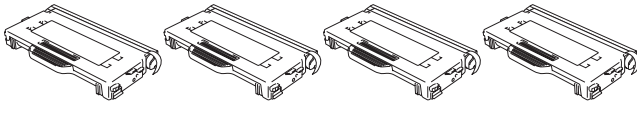
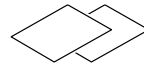
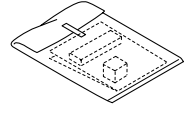
For
Network Users

Installing the Drivers & Software


 Warning	 Caution	 Improper Setup	 Note	 User's Guide
<p>Indicates warnings that must be observed to prevent possible personal injury.</p>	<p>Cautions specify procedures you must follow or avoid to prevent possible damage to the machine or other objects.</p>	<p>Alerts you to devices and operations that are not compatible with the machine.</p>	<p>Indicates notes and useful tips to remember when using the machine.</p>	<p>Indicates reference to the User's Guide.</p>

Getting Started

Carton Components

		 <p>Quick Setup Guide</p>	
<p>1. Automatic Document Feeder (ADF) 2. Control Panel 3. Face-down Output Tray with Support Flap (Support Flap) 4. Front Cover 5. Power Switch 6. Paper Tray 7. Back Cover 8. Document Cover 9. ADF Document Output Support Flap</p>		 <p>CD-ROMs For Windows® For Macintosh®</p>	
		 <p>User's Guide</p>	
 <p>OPC Belt Cartridge</p>	 <p>AC Power Cord</p>	 <p>Telephone Line Cord</p>	 <p>Maintenance Label</p>
 <p>Toner Cartridges (Black, Cyan, Magenta and Yellow)*¹</p>		 <p>Test Sheet (USA only) and Accessory Order Form</p>	 <p>Repacking Kit*²</p>

Carton components may differ from one country to another.
Save all packing materials and the carton.

 *The interface cable is not a standard accessory. Please purchase the appropriate interface cable for the interface you intend to use (Parallel, USB or Network). Do NOT connect the interface cable at this time. Connecting the interface cable is done during the software installation process.*

■ **USB interface cable**

Please make sure you use a USB 2.0 interface cable that is no longer than 6 feet (2.0 meters). When you use a USB cable, make sure you connect it to the USB port of your computer and not to a USB port on a keyboard or non-powered USB hub.

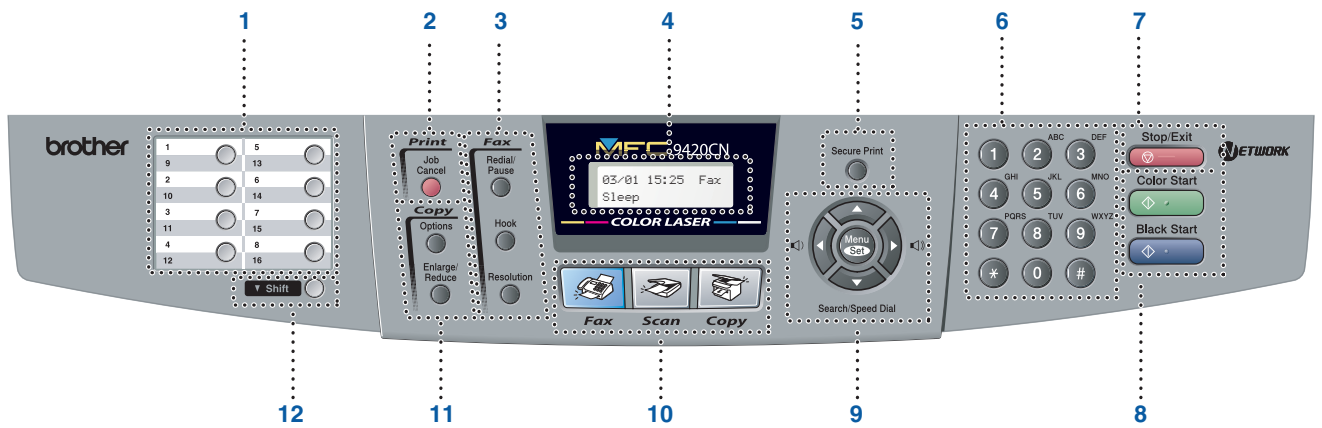
■ **Parallel interface cable**

Please make sure you use a Parallel interface cable that is no longer than 6 feet (2.0 meters). Use a shielded interface cable that is IEEE 1284-compliant.

*¹ The toner cartridges that are supplied with this machine, are starter cartridges. Starter cartridges have approx. half the page yield of the standard toner cartridge, 5,000 pages (Black) and 3,000 pages (Cyan, Magenta and Yellow) at approximately 5% print coverage (Letter size).

*² Repacking kit is to be used ONLY for moving or shipping the machine.

Control Panel



1	One Touch keys	2	Job Cancel key	3	Fax and telephone keys
4	Liquid Crystal Display	5	Secure Print key	6	Dial Pad
7	Stop/Exit key	8	Start keys	9	Navigation keys
10	Mode keys	11	Copy keys	12	Shift key



For the details of the control panel, see "Control panel overview" in Chapter 1 of the User's Guide.



- This machine is heavy and weighs approximately 76.7 lb (34.8 kg). To prevent injuries, use at least two people to lift the machine.
- When you lift the machine make sure you use the handholds at the bottom four corners of the machine.

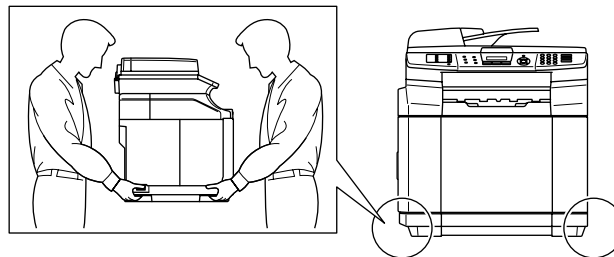


Table of Contents

Step 1 **Setting Up the machine**

1. Install the Toner cartridges	4
2. Remove the protective parts of the Fusing Unit	5
3. Install the OPC Belt Cartridge	6
4. Load Paper in the Paper Tray	7
5. Install the Power Cord and Phone Line	8
6. Setting the Date and Time	9
7. Setting your Station ID	9
8. Selecting a Receive Mode	10
9. Setting the LCD Contrast	11
10. Selecting Your Language	11
11. Sending in the Product Registration and Test Sheet (USA Only)	11

Step 2 **Installing the Drivers & Software**

Windows®	Supplied CD-ROM “MFL-Pro Suite”	12
	For USB Interface Cable Users (For Windows® 98/98SE/Me/2000 Professional/XP)	14
	For Parallel Interface Cable Users (For Windows® 98/98SE/Me/2000 Professional/XP)	17
	For Windows NT® Workstation Version 4.0 Users	20
	For Network Interface Cable Users (For Windows® 98/98SE/Me/NT/2000 Professional/XP)	22
Macintosh®	For USB Interface Cable Users	24
	■ For Mac OS® 9.1 to 9.2	24
	■ For Mac OS® X 10.2.4 or greater	26
	For Network Interface Cable Users	29
	■ For Mac OS® 9.1 to 9.2	29
■ For Mac OS® X 10.2.4 or greater	31	

■ **For Network Users**

Installing the BRAdmin Professional Configuration Utility	34
Setting your IP Address, Subnet Mask and Gateway using BRAdmin Professional (For Windows® Users)	35

■ **Options and Consumables**

Options	36
Replacement Consumables	36

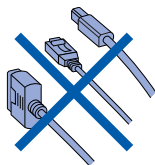
Step 1

Setting Up the machine

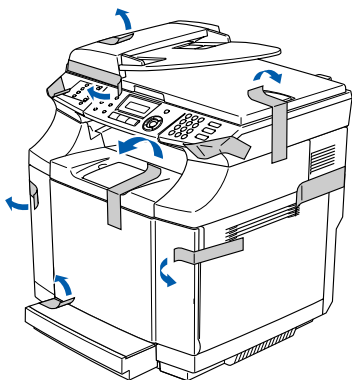
1 Install the Toner cartridges



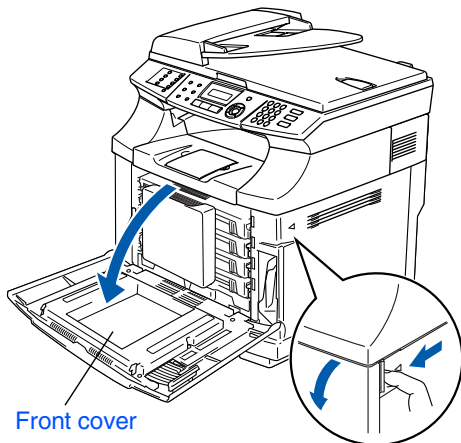
Do NOT connect the interface cable. Connecting the interface cable is done when installing the driver.



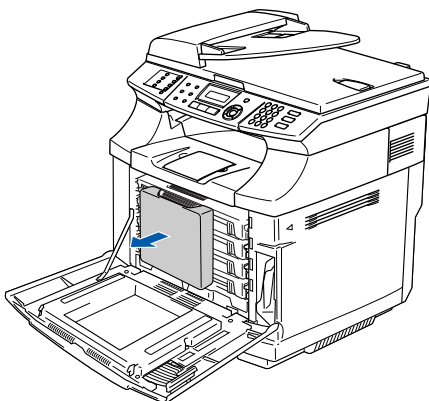
1 Remove the protective tape.



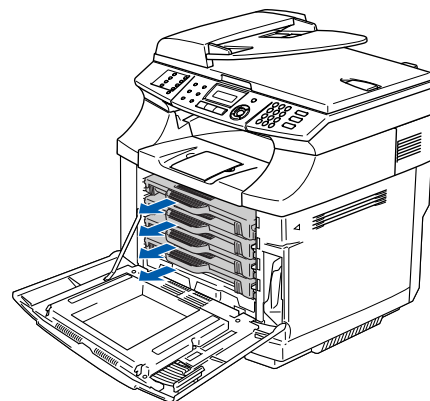
2 Open the front cover.



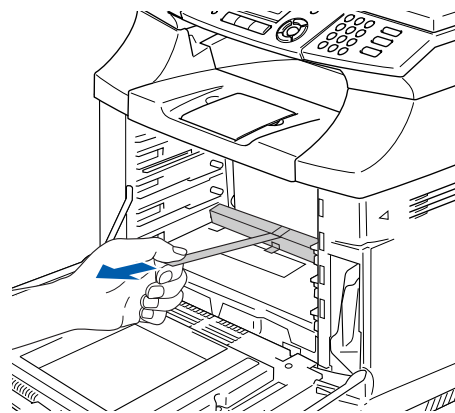
3 Remove the protective part.



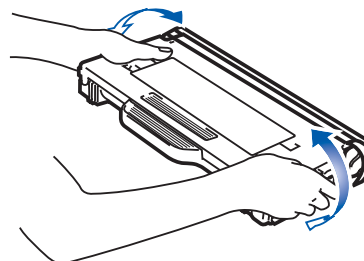
4 Take out all the toner cartridges from the machine.



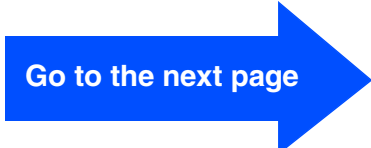
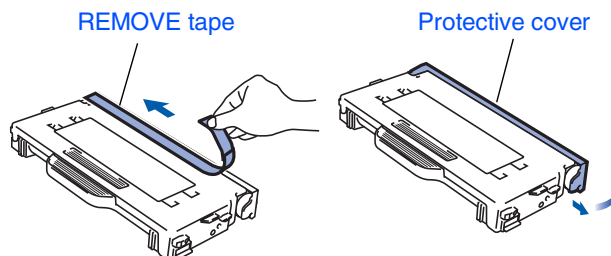
5 Carefully pull the protective part out of the machine.



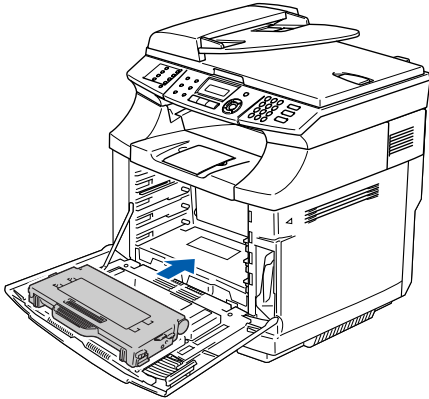
6 Rock the toner cartridge 3 to 4 times.



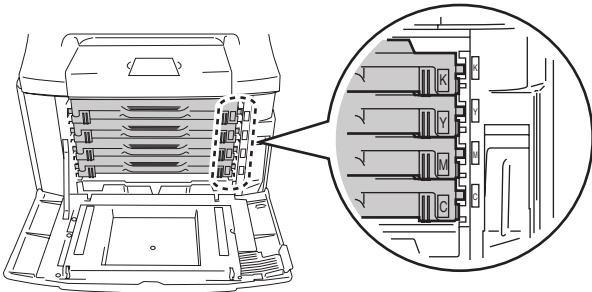
7 Pull off the tape labeled REMOVE, and then remove the orange protective cover.



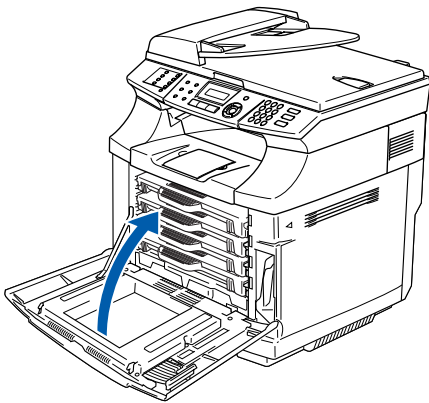
- 8 Install the toner cartridge by sliding it into the correct guide. Match the cartridge color label to the corresponding label on the machine.



- 9 Repeat steps 6 through 8 for the remaining toner cartridges.

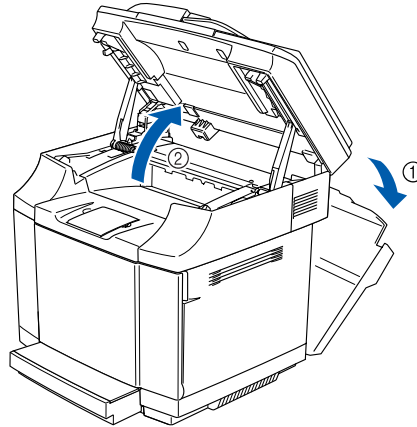


- 10 Close the front cover.

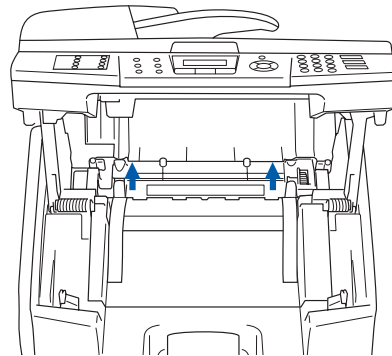


2 Remove the protective parts of the Fusing Unit

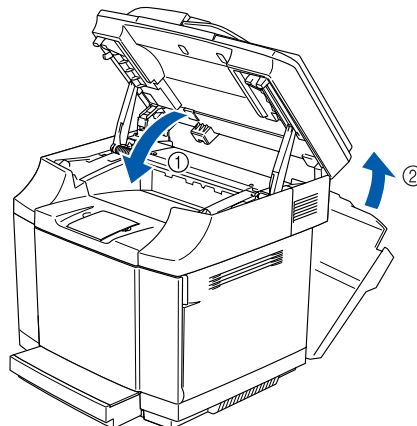
- 1 Open the back cover (1) and the scanner unit (2) of the machine.



- 2 Pull out the protective part from both sides of the fusing unit.



- 3 Close the scanner unit (1) and the back cover (2).



Step 1

Setting Up the machine

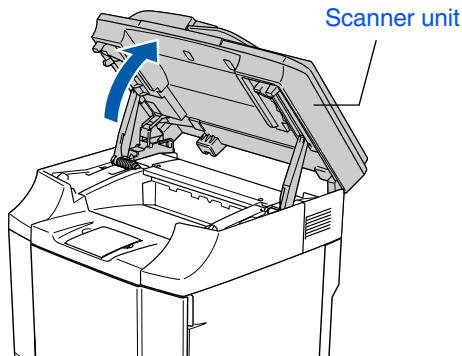
3

Install the OPC Belt Cartridge

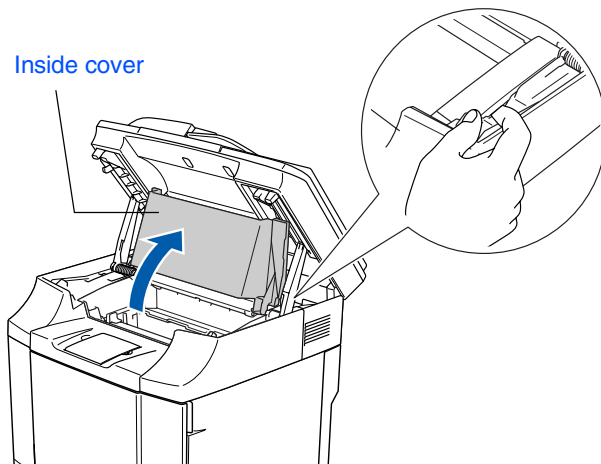


Do NOT touch the green surface of the OPC belt cartridge or expose it to bright room light or sunlight for more than two minutes to avoid damaging the belt.

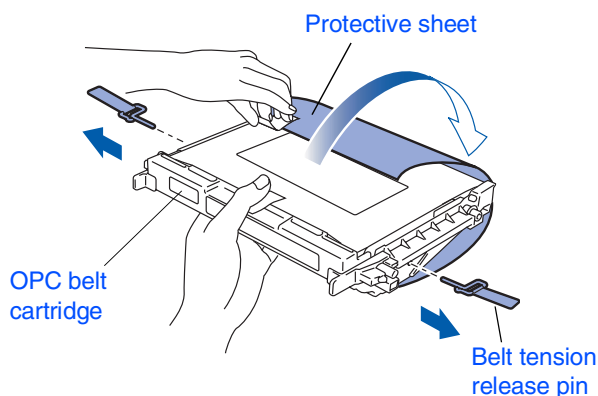
- 1 Open the scanner unit.



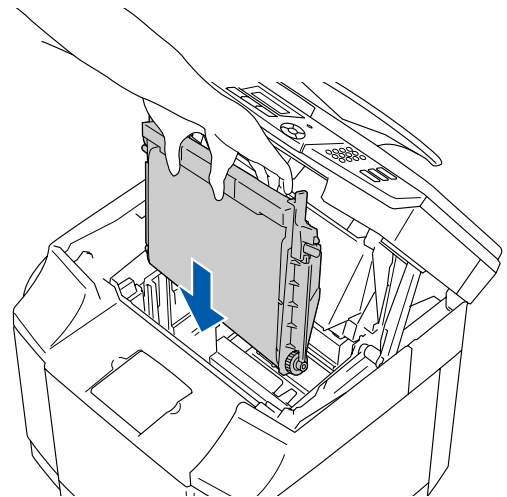
- 2 Open the inside cover so that it latches under the scanner unit.



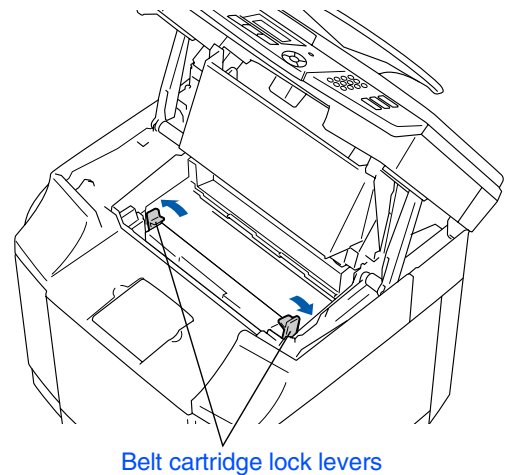
- 3 Remove the orange belt tension release pins from both sides of the OPC belt cartridge. Remove the protective sheet.



- 4 Put the OPC belt cartridge into the machine guides with the flat side facing you.



- 5 Lock the belt cartridge lock levers.

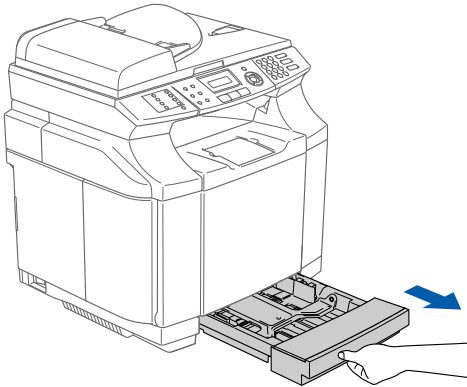


- 6 Close the inside cover, and then close the scanner unit.

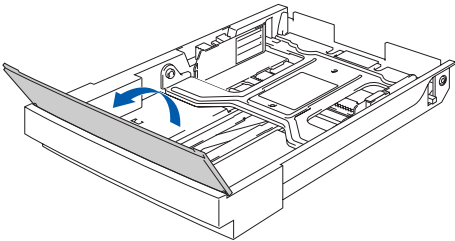
4

Load Paper in the Paper Tray

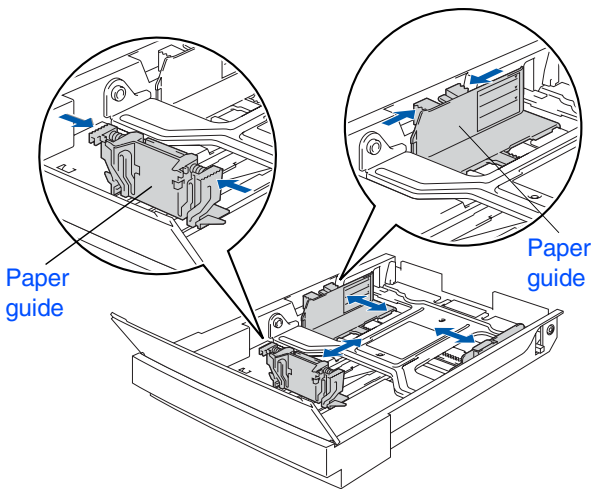
- 1 Pull the paper tray completely out of the machine.



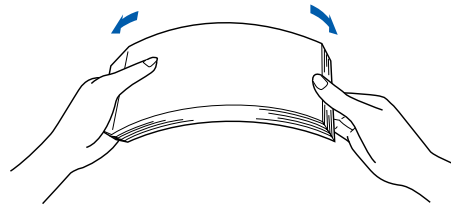
- 2 Place the paper tray on a flat table and lift the front tray cover.



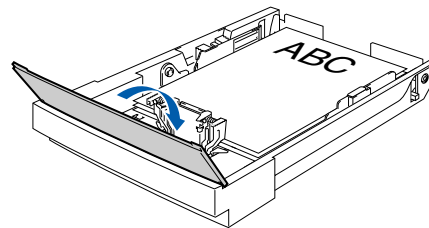
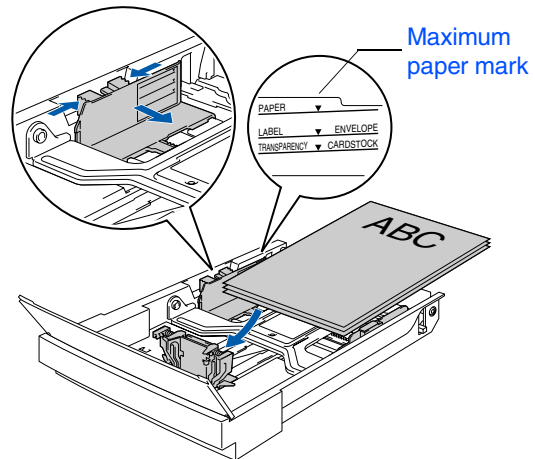
- 3 Squeeze the snap lock on the end of the front paper guide. Slide the front paper guide to the position for the size of paper you are using. Release the snap lock. Squeeze and slide the left hand side paper guide to the paper size you are using, and release it.



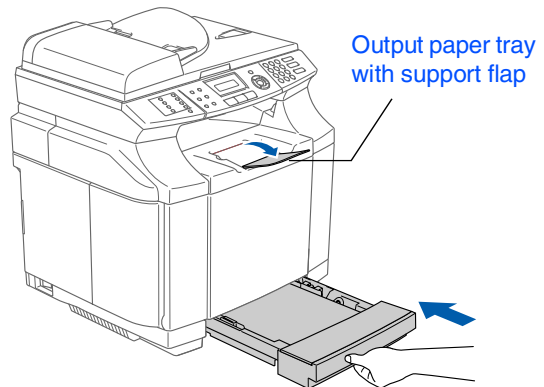
- 4 Fan the stack of paper well to avoid paper jams and misfeeds.




- 5 Put the paper in the tray with the recommended print side face up. Check that the paper is flat in the tray and below the maximum paper mark. Close the front tray cover.



- 6 Put the paper tray firmly back into the machine and unfold the output paper tray with support flap before you use the machine.

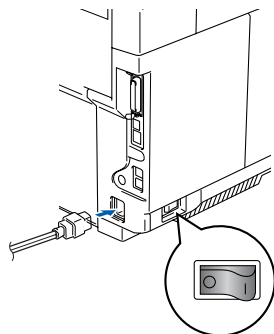


 For details on supported paper specifications, see "Acceptable paper and other media" in Chapter 2 of the User's Guide.

5 Install the Power Cord and Phone Line

 Do not connect the Parallel or USB cable yet.

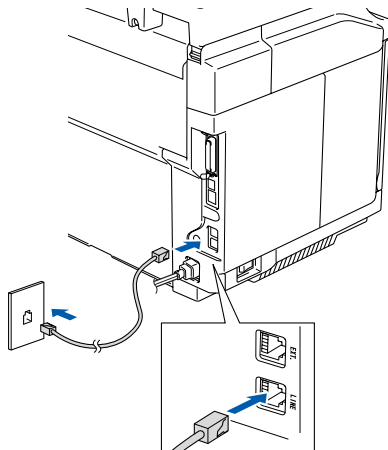
- 1 Make sure that the power switch is off. Connect the AC power cord to the machine.



- 2 Plug the AC power cord into an AC outlet. Turn the power switch on.



- 3 Connect one end of the telephone line cord to the jack on the machine marked **LINE** and the other end to a modular wall jack.

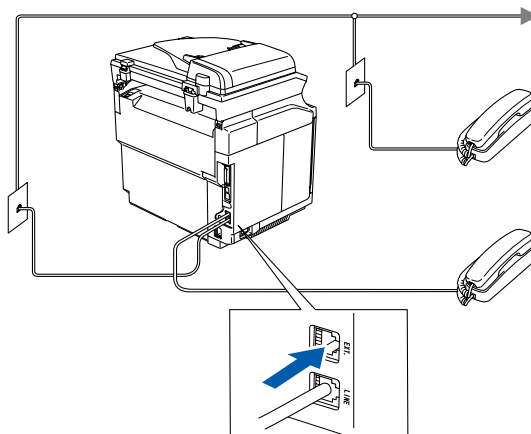


Warning

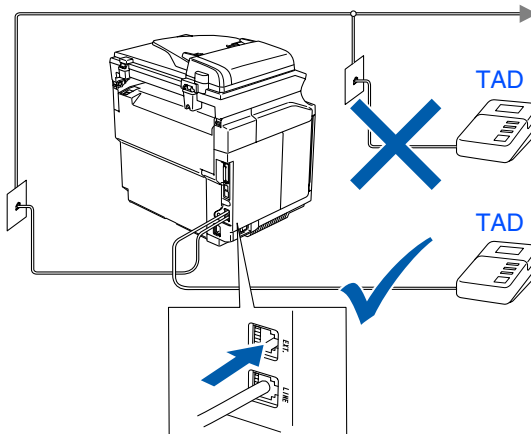
- The machine must be grounded using a 3-prong plug.
- Since the machine is grounded through the power outlet, you can protect yourself from potentially hazardous electrical conditions on the telephone network by keeping the power cord connected to your machine when you connect it to a telephone line. Similarly, you can protect yourself when you want to move your machine by disconnecting the telephone line first and then the power cord.



If you are sharing one phone line with an external telephone, connect it as shown below.



If you are sharing one phone line with an external telephone answering device, connect it as shown below.



Please set the receive mode to **External TAD**.

For more details, see "Connecting an external telephone answering device (TAD)" in Chapter 3 of the User's Guide.

6

Setting the Date and Time

The machine displays the date and time, and prints it on every fax you send.

- 1 Press **Menu/Set**.
- 2 Press **0**.
- 3 Press **2**.
- 4 Enter the last two digits of the year on the dial pad, and then press **Menu/Set**.

```
Date/Time
Year:2005
```

(e.g. Enter **0, 5** for 2005.)

- 5 Enter the two digits for the month on the dial pad, and then press **Menu/Set**.

```
Date/Time
Month:03
```

(e.g. Enter **0, 3** for March.)

- 6 Enter the two digits for the day on the dial pad, and then press **Menu/Set**.

```
Date/Time
Day:01
```

(e.g. Enter **0, 1**.)

- 7 Enter the time in 24-hour format on the dial pad, and then press **Menu/Set**.

```
Date/Time
Time:15:25
```

(e.g. Enter **1, 5, 2, 5** for 3:25 P.M.)

- 8 Press **Stop/Exit**.

 If you make a mistake, press **Stop/Exit** to start from Step 1.

7

Setting your Station ID

You should store your name and fax number to be printed on all fax pages that you send.

- 1 Press **Menu/Set**.
- 2 Press **0**.
- 3 Press **3**.
- 4 Enter your fax number (up to 20 digits) on the dial pad, and then press **Menu/Set**.

```
Station ID
Fax:
```

- 5 Enter your telephone number (up to 20 digits) on the dial pad, and then press **Menu/Set**.
(If your telephone number and fax number are the same, enter the same number again.)


```
Station ID
Tel:
```

- 6 Use the dial pad to enter your name (up to 20 characters), and then press **Menu/Set**.

```
Station ID
Name:
```



■ Refer to the following chart for entering your name.

■ If you need to enter a character that is on the same key as the previous character, press  to move the cursor to the right.

Press key	One time	Two times	Three times	Four times
2	A	B	C	2
3	D	E	F	3
4	G	H	I	4
5	J	K	L	5
6	M	N	O	6
7	P	Q	R	5
8	T	U	V	8
9	W	X	Y	Z

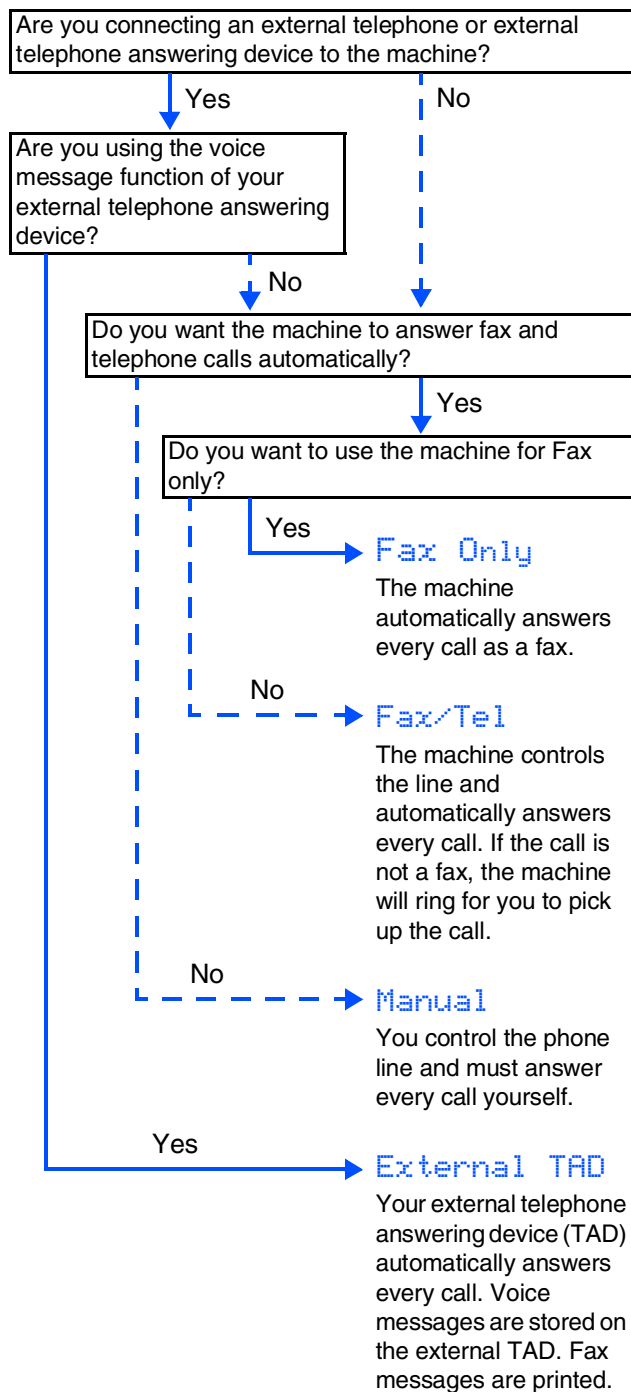




For more details, see "Entering Text" in Appendix B of the User's Guide.


- 7 Press **Stop/Exit**.

8 Selecting a Receive Mode

There are four possible receive modes; **Fax Only**, **Fax/Tel**, **Manual** and **External TAD**. Choose the **Receive Mode** which best suits your needs.





- 1 Press **Menu/Set**.
- 2 Press **0**.
- 3 Press **1**.
- 4 Press  or  to select the mode. Press **Menu/Set**.
- 5 Press **Stop/Exit**.

 For more details, see "Receiving a fax" in Chapter 6 of the User's Guide.

9

Selecting Your Language



- 1 Press **Menu/Set**.
- 2 Press **0**.
- 3 Press **0**.
- 4 Select your language (**English** or **French**) by using  or , and then press **Menu/Set**.

Local Language
English

- 5 Press **Stop/Exit**.

10 Setting the LCD Contrast

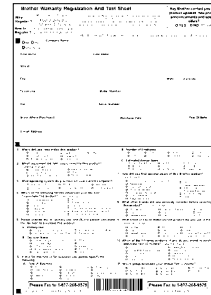
You can change the contrast to help the LCD look lighter or darker.

- 1 Press **Menu/Set**.
- 2 Press **1**.
- 3 Press **7**.
- 4 Press  to increase the contrast.
—OR—
Press  to decrease the contrast.
Press **Menu/Set**.
- 5 Press **Stop/Exit**.

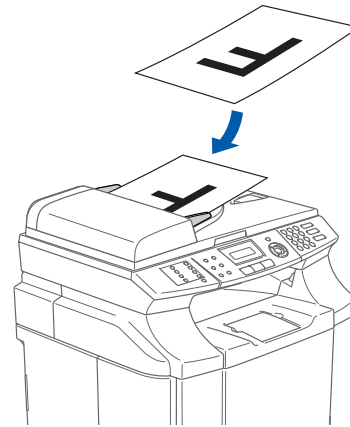
11

Sending in the Product Registration and Test Sheet (USA Only)

- 1 Fill out the Product Registration and Test Sheet.




- 2 Place the sheet face up in the Automatic Document Feeder.




 Make sure  (**Fax**) is illuminated in Blue.

- 3 Enter the toll-free fax number:
1-877-268-9575.

- 4 Press **Start**.

 You will receive a confirmation fax of your Product Registration.

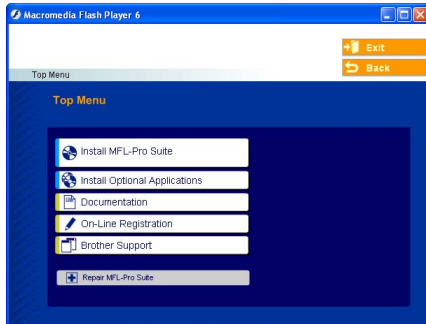
 You can also register your product online using the On-Line Registration link from the installation CD-ROM or go to www.brother.com/registration

Go to Next page to
install the drivers & software

Supplied CD-ROM “MFL-Pro Suite”

The CD-ROM includes the following items:

Windows®



MFL-Pro Suite includes Printer Driver, Scanner Driver, ScanSoft® PaperPort® 9.0SE, Brother ControlCenter2, ScanSoft® OmniPage® and True Type® fonts. PaperPort® 9.0SE is a document management application for viewing scanned documents. ScanSoft® OmniPage®, which is integrated into PaperPort® 9.0SE, is an OCR application that converts an image into text and inserts it into your default word processor.

Macintosh®



*1 The User's Guide on the CD-ROM includes the Software and Network User's Guide for features available when connected to a computer (e.g. Printing and scanning).



Install MFL-Pro Suite

You can install the MFL-Pro Suite and multifunction drivers.



Install Optional Applications

You can install additional MFL-Pro Suite software utilities.



Documentation*1

View the User's Guide and other documentation in PDF format (Viewer included).



On-Line Registration

You will be pointed to the Brother Product Registration Web page for quick registration of your machine.



Brother Support

View contact information for Brother Customer Service and how to locate a Brother Authorized Service Center.



Repair MFL-Pro Suite

(For USB and Parallel cable users only.)

If you experience errors while installing the MFL-Pro Suite, you can use this function to automatically repair and re-install the software.



Start Here OS 9.1-9.2

You can install the printer driver, scanner driver and Presto!® PageManager® for Mac OS® 9.1 - 9.2.



Start Here OSX

You can install the printer driver, scanner driver, Brother ControlCenter2 and Presto!® PageManager® for Mac OS® 10.2.4 or greater.



Readme.html

You can get important information and troubleshooting tips.



Documentation*1

View the User's Guide and other documentation in PDF format.



Brother Solutions Center

You can access the Brother Solutions Center, a Web site offering information about your Brother product including FAQs, User's Guides, Driver updates and Tips for using your machine.



On-Line Registration

You will be pointed to the Brother Product Registration Web Page for quick registration of your machine.



Follow the instructions on this page for your operating system and interface cable.
For the latest drivers and to find the best solution for your problem or question, access the Brother Solutions Center directly from the driver or go to <http://solutions.brother.com>

Setting Up
the machine

Windows®



For Windows® XP Professional x64 Edition users,
go to <http://solutions.brother.com>
for driver downloads and installation steps



USB Interface Cable Users Go to page 14
(For Windows® 98/98SE/Me/2000 Professional/XP)

Windows®
USB



Parallel Interface Cable Users Go to page 17
(For Windows® 98/98SE/Me/2000 Professional/XP)

Windows®
Parallel



Windows NT® Workstation Version 4.0 Users Go to page 20
(For Parallel Interface Cable Users)

Windows
NT® 4.0
Parallel



Network Interface Cable Users..... Go to page 22

Windows®
Network

Macintosh®



USB Interface Cable Users
■ For Mac OS® 9.1 to 9.2 Go to page 24
■ For Mac OS® X 10.2.4 or greater Go to page 26

Macintosh®
USB



Network Interface Cable Users
■ For Mac OS® 9.1 to 9.2 Go to page 29
■ For Mac OS® X 10.2.4 or greater Go to page 31

Macintosh®
Network

For Network Users..... Go to page 34

For
Network Users

Step 2

Installing the Drivers & Software



For USB Interface Cable Users

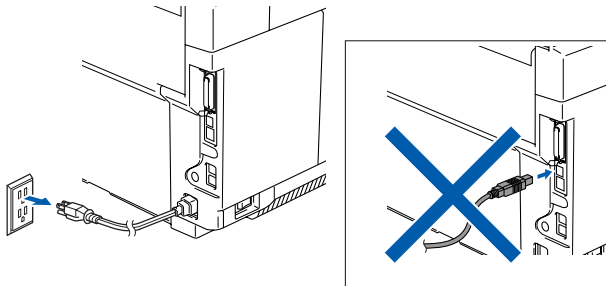
(For Windows® 98/98SE/Me/2000 Professional/XP)

Make sure that you have completed the instructions from Step 1 “Setting Up the machine” on pages 4 - 11.



Please close any applications running before installing the MFL-Pro Suite.

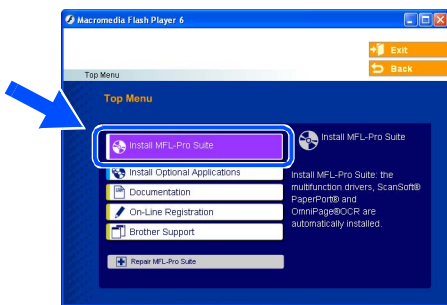
- 1 Turn off and unplug the machine from the AC outlet and disconnect it from your computer, if you already connected an interface cable.



- 2 Turn on your computer. (For Windows® 2000 Professional/XP, you must be logged on with Administrator rights.)
- 3 Insert the supplied CD-ROM for Windows® into your CD-ROM drive. If the language screen appears, select your language.

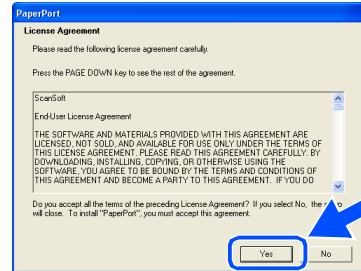


- 4 The CD-ROM main menu will appear. Click **Install MFL-Pro Suite**.



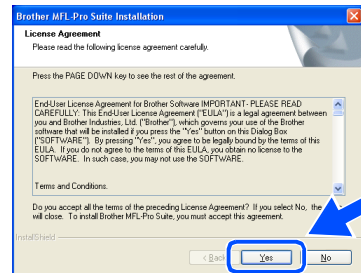
*If this window does not appear, use Windows® Explorer to run the **setup.exe** program from the root directory of the Brother CD-ROM.*

- 5 After reading and accepting the ScanSoft® PaperPort® 9.0SE License Agreement, click **Yes**.

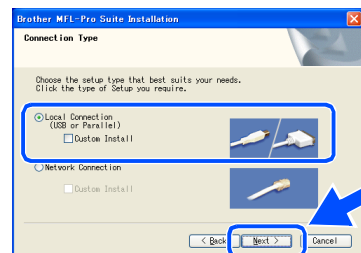


The installation of PaperPort® 9.0SE will automatically start and is followed by the installation of MFL-Pro Suite.

- 6 When the Brother MFL-Pro Suite Software License Agreement window appears, read the agreement, then click **Yes** if you agree to its terms.



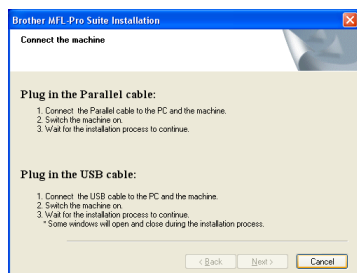
- 7 Select **Local Connection**, and then click **Next**. The installation will continue.



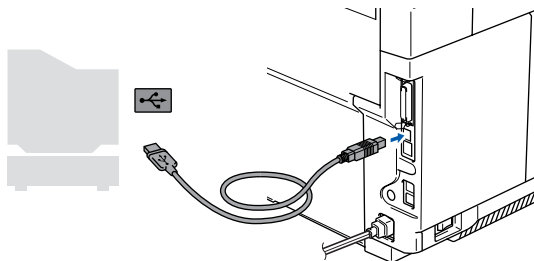
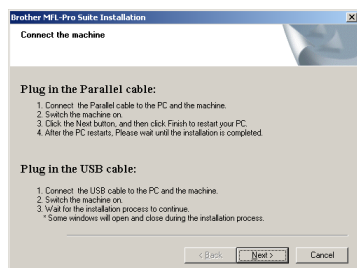
*If you want to install the PS driver (Brother's BR-Script Driver), select **Custom Install** and then follow the on-screen instructions. When the **Select Components** screen appears, check **PS Printer Driver**, and then continue following the on-screen instructions.*

- 8 When this screen appears, connect the USB interface cable to your PC, and then connect it to the machine.

(For Windows® XP)



(For Windows® 98/98SE/Me/2000)

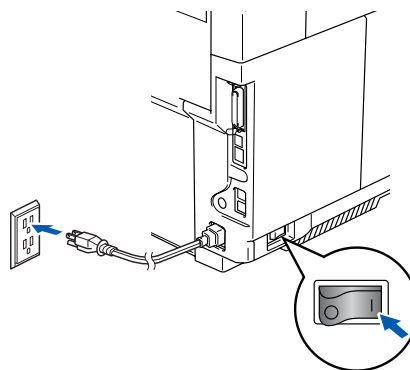


Brother recommends that you connect the machine directly to your computer.



DO NOT connect the machine to a USB port on a keyboard or a non-powered USB hub.

- 9 Plug in the power cord and turn on the machine.



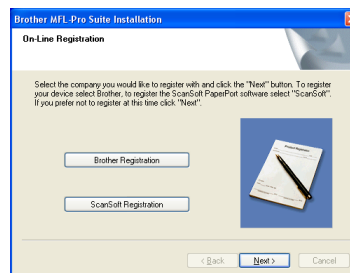
It will take a few seconds for the installation screen to appear.

The installation of the Brother drivers will automatically start. The screens appear one after another. Please wait, it will take a few seconds for all the screens to appear.



DO NOT try to cancel any of the screens during this installation.

- 10 When the On-Line Registration screen is displayed, make your selection and follow the on-screen instructions.



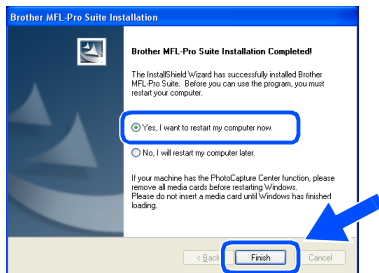
Continued ...



For USB Interface Cable Users

(For Windows® 98/98SE/Me/2000 Professional/XP)

- 11 Click **Finish** to restart your computer.
(After restarting the computer, for Windows® 2000 Professional/XP, you must be logged on with Administrator rights.)



After restarting the computer, the **Installation Diagnostics** will run automatically. If the installation is unsuccessful, the installation results window will be shown. If the **Installation Diagnostics** shows a failure, please follow the on-screen instruction or read on-line help and FAQ's in **Start/All Programs/Brother/MFL-Pro Suite MFC-9420CN**.



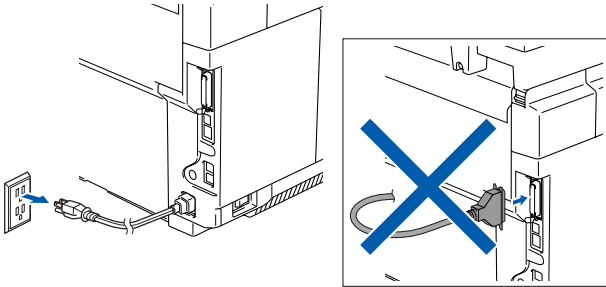
The MFL-Pro Suite, Brother Printer Driver and Scanner driver have been installed and the installation is now complete.

For Parallel Interface Cable Users (For Windows® 98/98SE/Me/2000 Professional/XP)

Make sure that you have completed the instructions from Step 1 “Setting Up the machine” on pages 4 - 11.

 Please close any applications running before installing the MFL-Pro Suite.

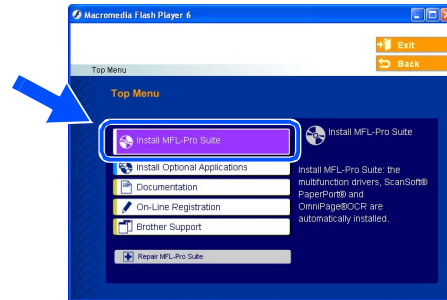
- 1 Turn off and unplug the machine from the AC outlet and disconnect it from your computer, if you already connected an interface cable.




- 2 Turn on your computer. (For Windows® 2000 Professional/XP, you must be logged on with Administrator rights.)
- 3 Insert the supplied CD-ROM for Windows® into your CD-ROM drive. If the language screen appears, select your language.

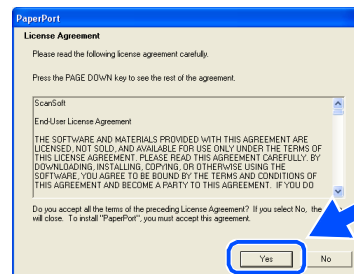


- 4 The CD-ROM main menu will appear. Click **Install MFL-Pro Suite**.



 If this window does not appear, use Windows® Explorer to run the **setup.exe** program from the root directory of the Brother CD-ROM.

- 5 After reading and accepting the ScanSoft® PaperPort® 9.0SE License Agreement, click **Yes**.



The installation of PaperPort® 9.0SE will automatically start and is followed by the installation of MFL-Pro Suite.

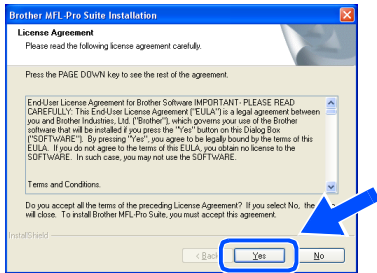
Continued ... 

Step 2

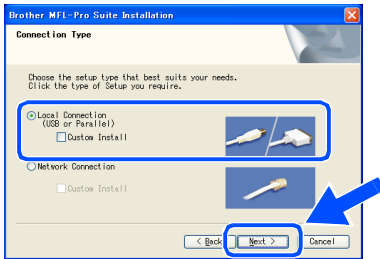
Installing the Drivers & Software


For Parallel Interface Cable Users (For Windows® 98/98SE/Me/2000 Professional/XP)

- 6 When the Brother MFL-Pro Suite Software License Agreement window appears, read the agreement, then click **Yes** if you agree to its terms.

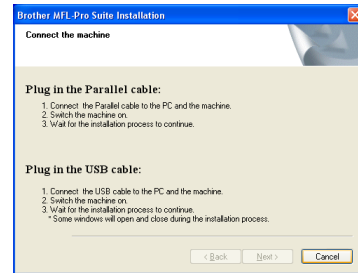


- 7 Select **Local Connection**, and then click **Next**. The installation will continue.

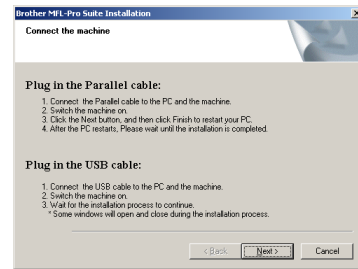


 If you want to install the PS driver (Brother's BR-Script Driver), select **Custom Install** and then follow the on-screen instructions. When the **Select Components** screen appears, check **PS Printer Driver**, and then continue following the on-screen instructions.

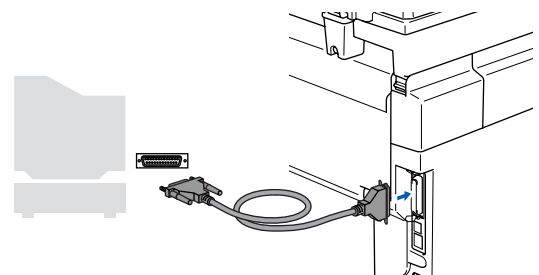
- 8 When this screen appears, connect the parallel interface cable to your PC, and then connect it to the machine.
(For Windows® XP)



(For Windows® 98/98SE/Me/2000)

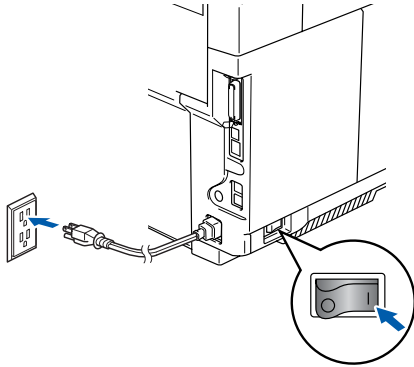


DO NOT plug in the power cord before connecting the parallel interface cable. It may cause damage to your machine.

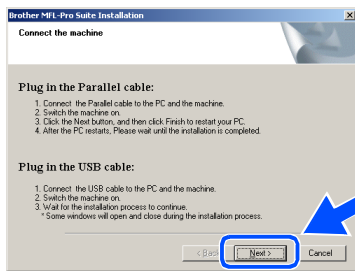


Brother recommends that you connect the machine directly to your computer.

- 9 Plug in the power cord and turn on the machine.



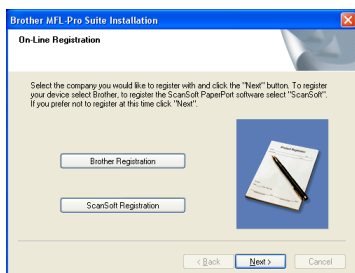
- 10 For Windows® 98/98SE/Me/2000 Professional users, click **Next**.



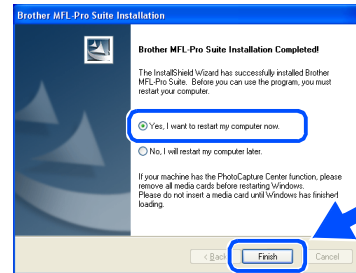
For Windows® XP users, wait for a while since the installation of the Brother drivers will automatically start. The screens appear one after another.

DO NOT try to cancel any of the screens during this installation.

- 11 When the On-Line Registration screen is displayed, make your selection and follow the on-screen instructions.

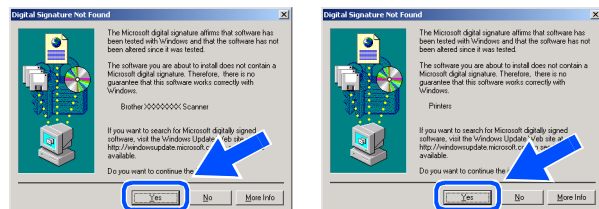


- 12 When the following screen appears, click **Finish** and wait as the PC restarts Windows® and continues the installation.



- 13 After the computer restarts, the installation of the Brother drivers will automatically start. Follow the instructions on the screen. (For Windows® 2000 Professional/XP, you must be logged on with Administrator rights.)

- 14 For Windows® 2000 Professional users, if the **Digital Signature Not Found** dialog boxes appear, click **Yes** to install the drivers.



After restarting the computer, the **Installation Diagnostics** will run automatically. If the installation is unsuccessful, the installation results window will be shown. If the **Installation Diagnostics** shows a failure, please follow the on-screen instruction or read on-line help and FAQ's in **Start/All Programs/ Brother/MFL-Pro Suite MFC-9420CN**.

- OK!** The MFL-Pro Suite, Printer driver and Scanner driver have been installed and the installation is now complete.



For Windows NT[®] Workstation Version 4.0 Users

Make sure that you have completed the instructions from Step 1 “Setting Up the machine” on pages 4 - 11.



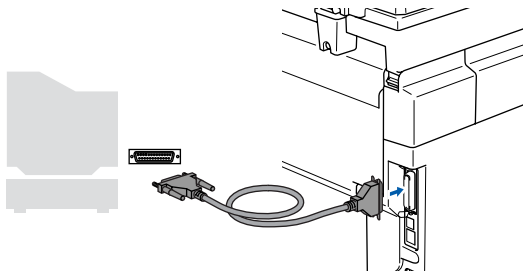
Please close any applications running before installing the MFL-Pro Suite.

- 1 Turn off and unplug the machine from the AC outlet.
- 2 Turn on your computer. You must be logged on with Administrator rights.



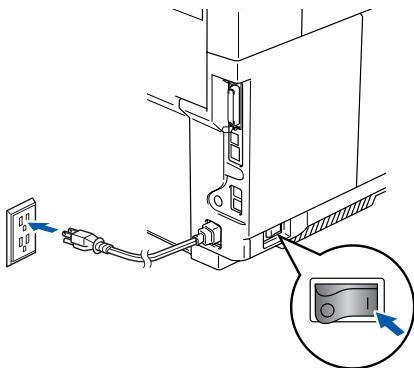
DO NOT plug in the power cord before connecting the parallel interface cable. It may cause damage to your machine.

- 3 Connect the parallel interface cable to your computer, and then connect it to the machine.



Brother recommends that you connect the machine directly to your computer.

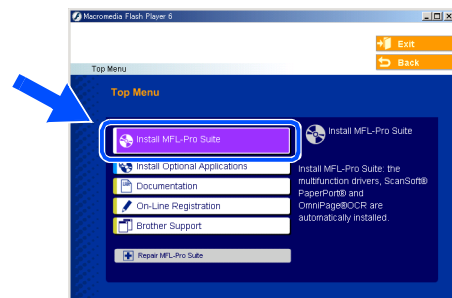
- 4 Plug in the power cord and turn on the machine.



- 5 Insert the Supplied CD-ROM for Windows[®] into your CD-ROM drive. If the language screen appears, select your language.

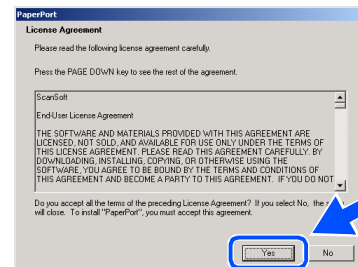


- 6 The CD-ROM main menu will appear. Click **Install MFL-Pro Suite**.



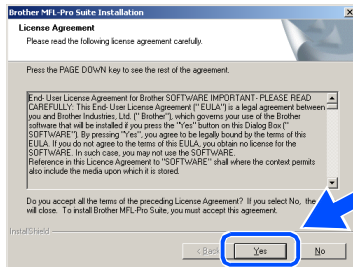
*If this window does not appear, use Windows[®] Explorer to run the **setup.exe** program from the root directory of the Brother CD-ROM.*

- 7 After reading and accepting the ScanSoft[®] PaperPort[®] 9.0SE License Agreement, click **Yes**.

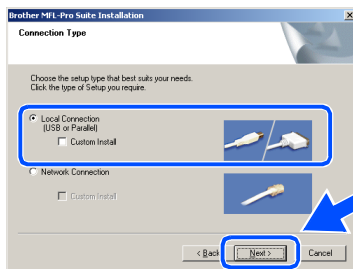



The installation of PaperPort[®] 9.0SE will automatically start and is followed by the installation of MFL-Pro Suite.

- 8 When the Brother MFL-Pro Suite Software License Agreement window appears, read the agreement, then click **Yes** if you agree to its terms.

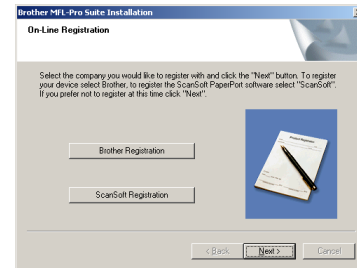


- 9 Select **Local Connection**, and then click **Next**. The installation will continue.

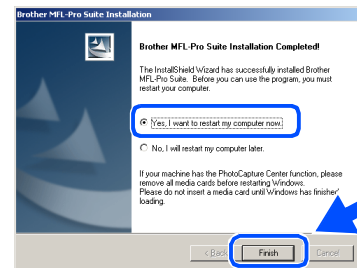



-  If you want to install the PS driver (Brother's BR-Script Driver), select **Custom Install** and then follow the on-screen instructions. When the **Select Components** screen appears, check **PS Printer Driver**, and then continue following the on-screen instructions.

- 10 When the On-Line Registration screen is displayed, make your selection and follow the on-screen instructions.



- 11 When the following screen appears, click **Finish** and wait as the PC restarts Windows® and continues the installation. (You must be logged on with Administrator rights.)



-  After restarting the computer, the **Installation Diagnostics** will run automatically. If the installation is unsuccessful, the installation results window will be shown. If the **Installation Diagnostics** shows a failure, please follow the on-screen instruction or read on-line help and FAQ's in **Start/All Programs/ Brother/MFL-Pro Suite MFC-9420CN**.

- OK!** The MFL-Pro Suite, Printer driver and Scanner driver have been installed and the installation is now complete.

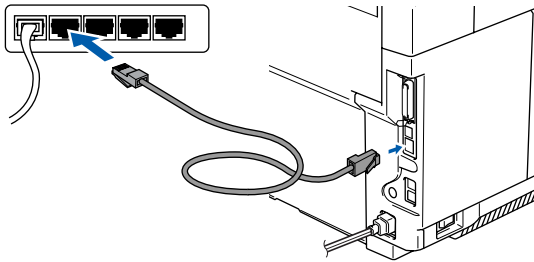
Step 2

Installing the Drivers & Software

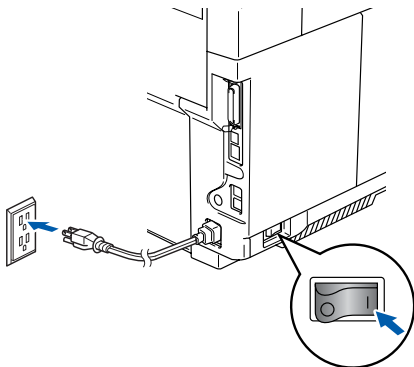
For Network Interface Cable Users (For Windows® 98/98SE/Me/NT/2000 Professional/XP)

Make sure that you have completed the instructions from Step 1 “Setting Up the machine” on pages 4 - 11.

- 1 Turn off and unplug the machine from AC outlet.
- 2 Connect the network cable to the machine, and then connect it to a free port on your hub.



- 3 Plug in the power cord and turn on the machine.



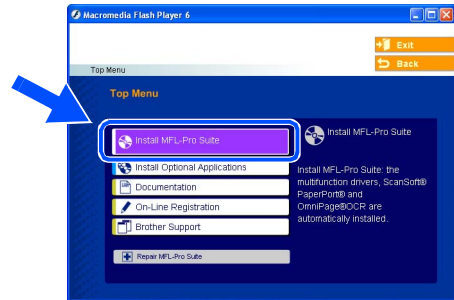
- 4 Turn on your computer.
(For Windows® 2000 Professional/XP/Windows NT® 4.0, you must be logged on with Administrator rights.)
Close any applications running before installing the MFC-Pro Suite.

Before installation, if you are using Personal Firewall software, disable it. Once you are sure that you can print after the installation, re-start your Personal Firewall software.

- 5 Insert the supplied CD-ROM for Windows® into your CD-ROM drive. If the language screen appears, select your language.

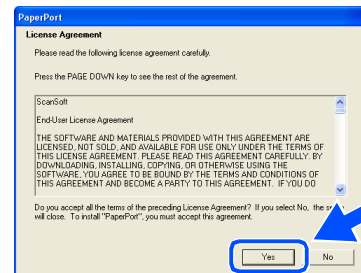


- 6 The CD-ROM main menu will appear. Click **Install MFL-Pro Suite**.



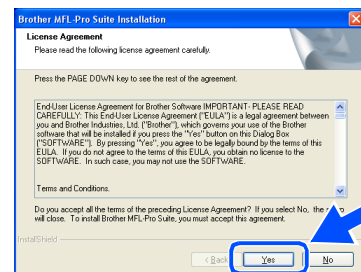
*If this window does not appear, use Windows® Explorer to run the **setup.exe** program from the root directory of the Brother CD-ROM.*

- 7 After reading and accepting the ScanSoft® PaperPort® 9.0SE License Agreement, click **Yes**.

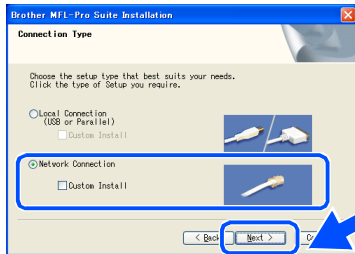


The installation of PaperPort® 9.0SE will automatically start and is followed by the installation of MFL-Pro Suite.

- 8 When the Brother MFL-Pro Suite Software License Agreement window appears, read the agreement, then click **Yes** if you agree to its terms.



- 9 Select **Network Connection** and then click **Next**.



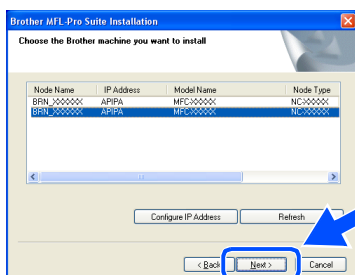
If you want to install the PS driver (Brother's BR-Script Driver), select **Custom Install** and then follow the on-screen instructions. When the **Select Components** screen appears, check **PS Printer Driver**, and then continue following the on-screen instructions.

- 10 The installation of the Brother drivers will automatically start. The installation screens appear one after another. Please wait, it will take a few seconds for all the screens to appear.



DO NOT try to cancel any of the screens during this installation.

- 11 If the machine is configured for your network, select your machine from the list and then click **Next**.

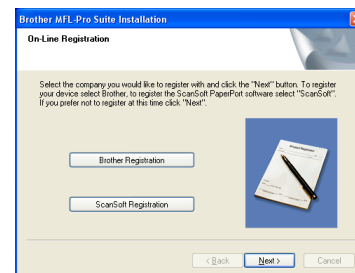


This window will not appear if there is only one of this Brother model connected on the network, it will be selected automatically.

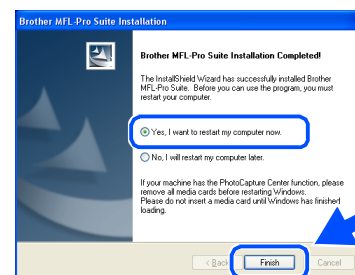
- 12 If the machine is not yet configured for use on your network, the Configure IP address window will appear. Enter the IP address information appropriate to your network by clicking OK and following the on-screen instructions.



- 13 When the On-Line Registration screen is displayed, make your selection and follow the on-screen instructions.



- 14 When the following screen appears, click **Finish** and wait as the PC restarts Windows® and continues the installation. (For Windows® 2000 Professional/XP/Windows NT® 4.0, you must be logged on with Administrator rights.)



- OK!** The MFL-Pro Suite, Network Printer driver, Network Scanner driver have been installed and the installation is now complete.



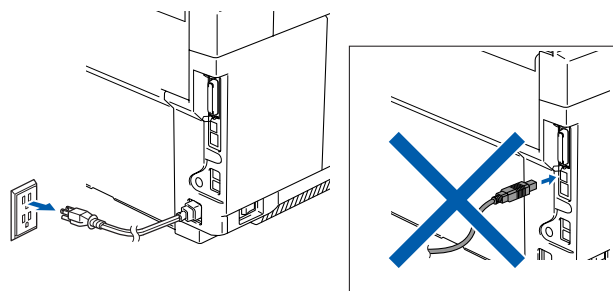
- For Network installations, the **Repair MFL-Pro Suite** selection from the main menu is not supported.
- Network Scanning is not supported in Windows NT® 4.0.

For USB Interface Cable Users

For Mac OS[®] 9.1 to 9.2

Make sure that you have completed the instructions from Step 1 “Setting Up the machine” on pages 4 - 11.

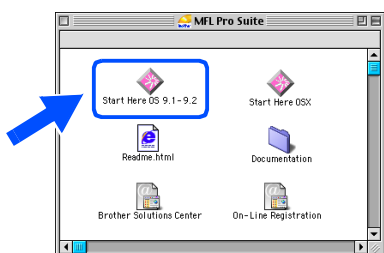
- 1 Turn off and unplug the machine from the AC outlet and disconnect it from your Macintosh[®], if you already connected an interface cable.



- 2 Turn on your Macintosh[®].
- 3 Insert the supplied CD-ROM for Macintosh[®] into your CD-ROM drive.



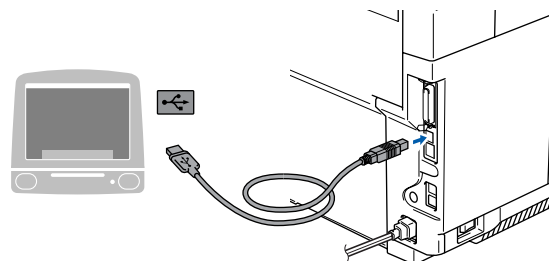
- 4 Double-click the **Start Here OS 9.1-9.2** icon to install the printer and scanner drivers. If the language screen appears, select your language.



- 5 Click **MFL-Pro Suite** to install.

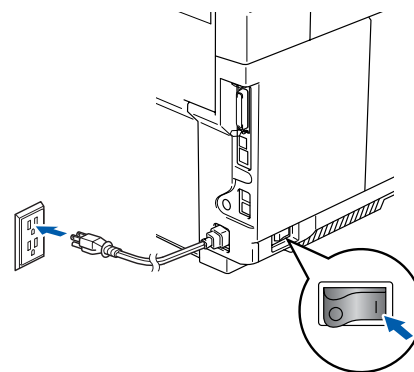


- 6 Follow the on-screen instructions, and restart your Macintosh[®].
- 7 Connect the USB interface cable to your Macintosh[®], and then connect it to the machine.



DO NOT connect the machine to a USB port on a keyboard or a non-powered USB hub.

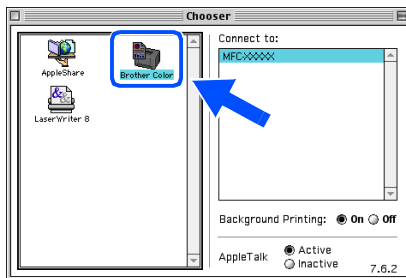
- 8 Plug in the power cord and turn on the machine.




- 9 From the Apple® menu, open the **Chooser**.



- 10 Click the **Brother Color** icon. On the right side of the **Chooser**, select the machine to which you want to print. Close the **Chooser**.




- OK! **The printer and scanner drivers have been installed.**

 *The ControlCenter2 is not supported in Mac OS® 9.x.*

- 11 To install Presto!® PageManager®, click the **Presto! PageManager** icon and follow the on-screen instructions.




 *You can easily scan, share and organize photos and documents using Presto!® PageManager®.*

- OK! **Presto!® PageManager® has been installed and the installation is now complete.**

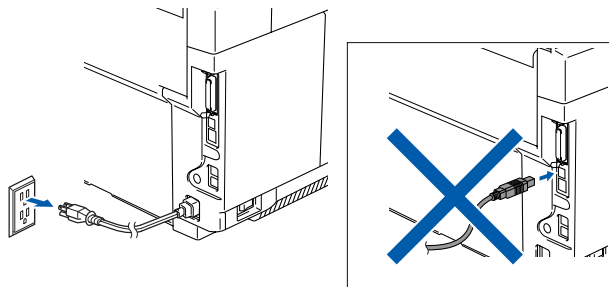
For USB Interface Cable Users

For Mac OS® X 10.2.4 or greater

Make sure that you have completed the instructions from Step 1 “Setting Up the machine” on pages 4 - 11.

 For Mac OS® X 10.2.0 to 10.2.3 user, please upgrade to Mac OS® X 10.2.4 or greater. (The latest information for Mac OS® X, please visit at: <http://solutions.brother.com>)

- 1 Turn off and unplug the machine from the AC outlet and disconnect it from your Macintosh®, if you already connected an interface cable.



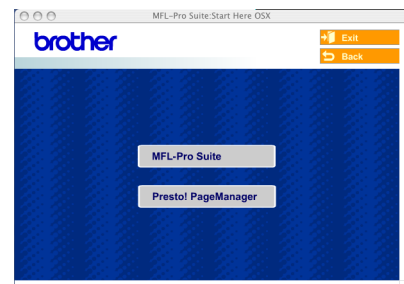
- 2 Turn on your Macintosh®.
- 3 Insert the supplied CD-ROM for Macintosh® into your CD-ROM drive.



- 4 Double-click the **Start Here OSX** icon to install the drivers and MFL-Pro Suite. If the language screen appears, select your language.




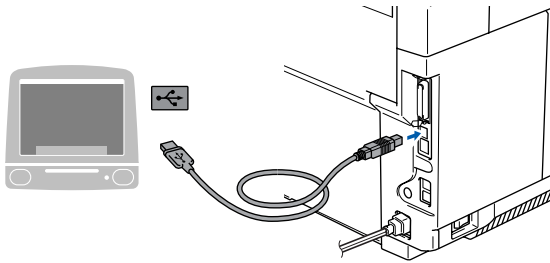
- 5 Click **MFL-Pro Suite** to install.



- 6 Follow the on-screen instructions, and restart your Macintosh®.
- 7 After the **DeviceSelector** window appears, connect the USB interface cable to your Macintosh® and then to the machine.

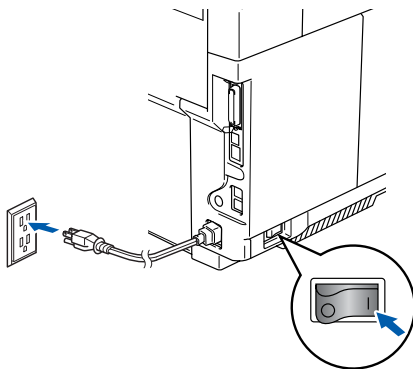


 The **DeviceSelector** window will not appear if you have connected a USB interface cable to the machine before restarting your Macintosh® or if you are overwriting a previously installed version of the Brother software. If you encounter this problem continue with the installation but skip step 9. You should select your Brother machine from the Model pull-down list in the main screen of ControlCenter2 (You can also see the Software User's Guide for details on selecting which machine the ControlCenter2 will connect with).



DO NOT connect the machine to a USB port on a keyboard or a non-powered USB hub.

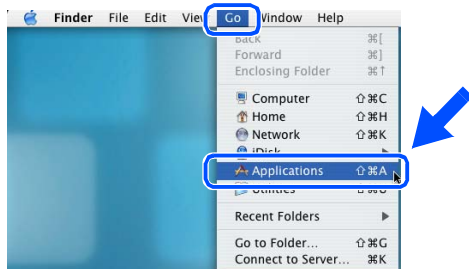
- 8 Plug in the power cord and turn on the machine.



- 9 Select **USB** and then click **OK**.



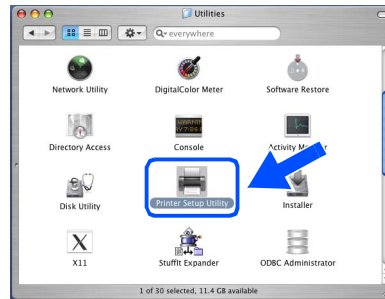
- 10 Select **Applications** from the **Go** menu.



- 11 Open the **Utilities** folder.

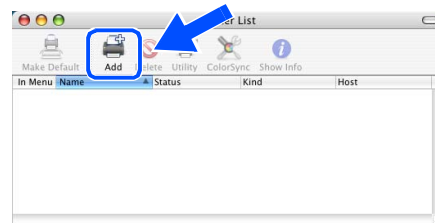


- 12 Open the **Printer Setup Utility** icon.



*For Mac OS® X 10.2.x users, open **Print Center** icon.*

- 13 Click **Add**.



*For Mac OS® X 10.2.4 to 10.3.x users
→ Go to 14*

For Mac OS® X 10.4 users → Go to 15

Continued ...

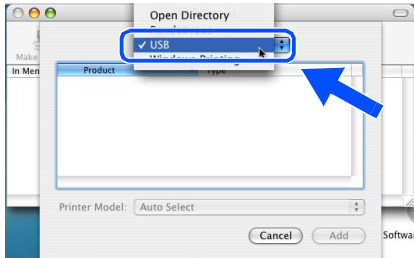
Step 2

Installing the Drivers & Software

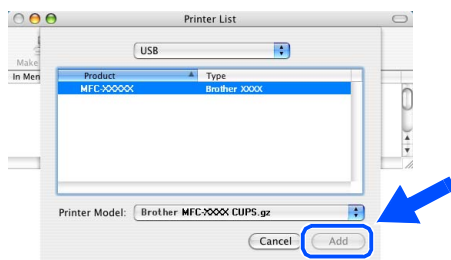


For USB Interface Cable Users

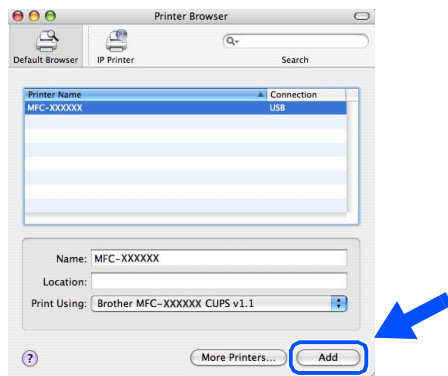
- 14 Select **USB**.



- 15 Select **MFC-9420CN**, and then click **Add**.

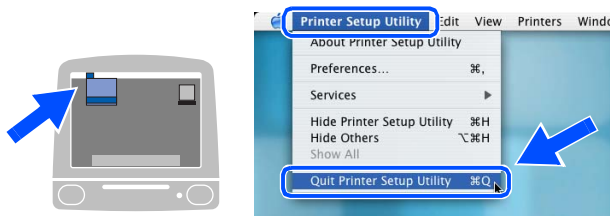


(Mac OS® X 10.2.4 - 10.3.x)



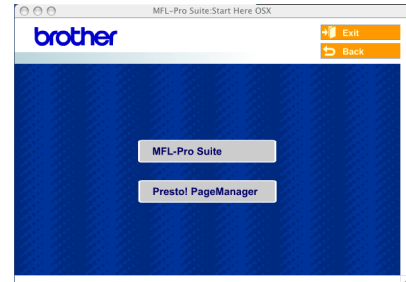
(Mac OS® X 10.4)


- 16 Select **Quit Printer Setup Utility** from the **Printer Setup Utility** menu.



- OK!** The the drivers and MFL-Pro Suite have been installed.

- 17 To install Presto!® PageManager®, click the **Presto! PageManager** icon and follow the on-screen instructions.



 When Presto!® PageManager® is installed OCR capability is added to the Brother ControlCenter2. You can also easily scan, share, and organize photos and documents using Presto!® PageManager®.

- OK!** Presto!® PageManager® has been installed and the installation is now complete.

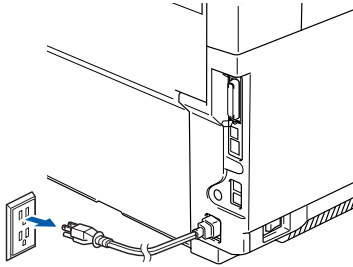


For Network Interface Cable Users

For Mac OS® 9.1 to 9.2

Make sure that you have completed the instructions from Step 1 “Setting Up the machine” on pages 4 - 11.

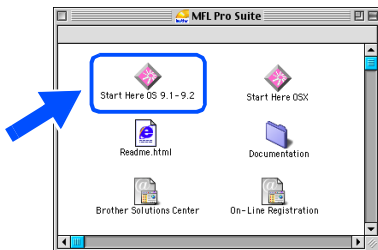
- 1 Turn off and unplug the machine from the AC outlet.



- 2 Turn on your Macintosh®.
- 3 Insert the supplied CD-ROM for Macintosh® into your CD-ROM drive.



- 4 Double-click the **Start Here OS 9.1-9.2** icon to install the printer driver. If the language screen appears, select your language.

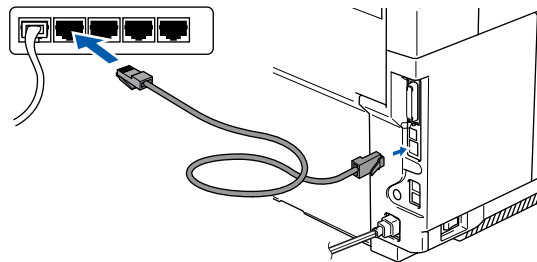


- 5 Click **MFL-Pro Suite** to install.

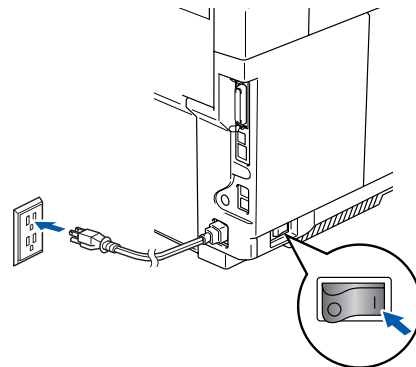


- 6 Follow the on-screen instructions, and restart your Macintosh®.

- 7 Connect the network interface cable to the machine, and then connect it to a free port on your hub.



- 8 Plug in the power cord and turn on the machine.



- 9 Open the **Chooser** from the **Apple** menu.



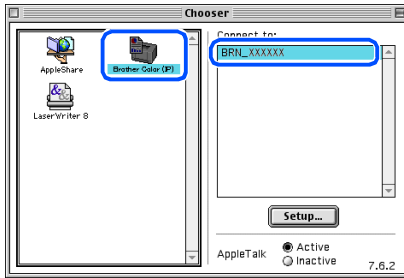
Continued ...





For Network Interface Cable Users

- 10 Click the **Brother Color (IP)** icon, and then select **BRN_XXXXXX**.
Close the **Chooser**.



XXXXXX are the last six digits of the Ethernet address.



The Printer driver has been installed.

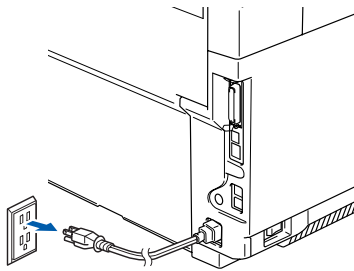


The ControlCenter2 and Network Scanning are not supported in Mac OS® 9.x.

For Mac OS® X 10.2.4 or greater

Make sure that you have completed the instructions from Step 1 “Setting Up the machine” on pages 4 - 11.

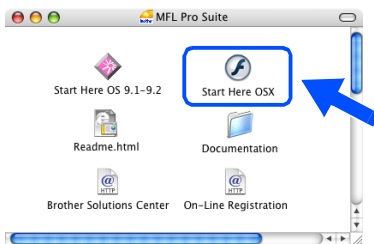
- 1 Turn off and unplug the machine from the AC outlet and disconnect it from your Macintosh® if you already connected an interface cable.



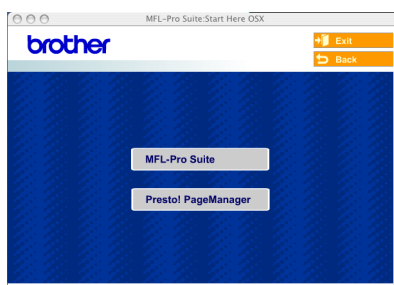
- 2 Turn on your Macintosh®.
- 3 Insert the supplied CD-ROM for Macintosh® into your CD-ROM drive.



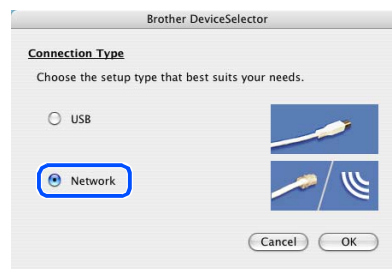
- 4 Double-click the **Start Here OSX** icon to install the drivers and MFL-Pro Suite. If the language screen appears, select your language.



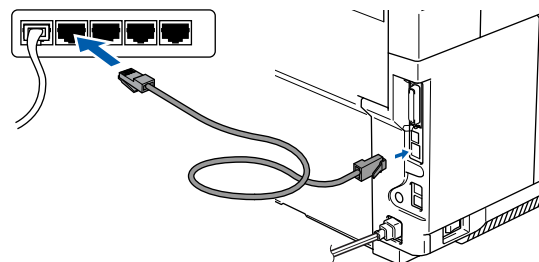
- 5 Click **MFL-Pro Suite** to install.



- 6 Follow the on-screen instructions, and restart your Macintosh®.
- 7 After the **DeviceSelector** window appears, connect the network interface cable to the machine, and then connect it to a free port on your hub.



The **DeviceSelector** window will not appear if you have also connected a USB interface cable to the machine before restarting your Macintosh® or if you are overwriting a previously installed version of the Brother software. If you encounter this problem continue with the installation skipping steps 9 to 12. You should select your Brother machine from the Model pull-down list in the main screen of ControlCenter2. (You can also see the Software User's Guide for details on selecting which machine the ControlCenter2 will connect with.)

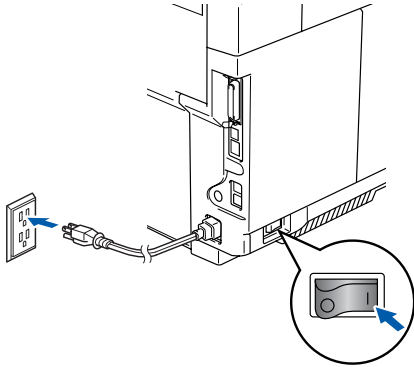


Continued ...

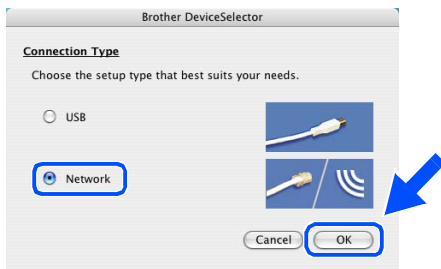


For Network Interface Cable Users

- 8 Plug in the power cord and turn on the machine.



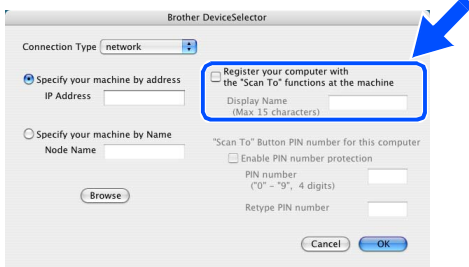
- 9 Select **Network** and then click **OK**.



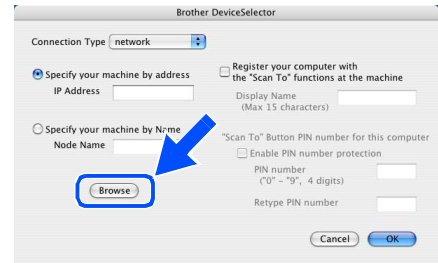
- 10 If you want to use the **Scan** key on the machine, you must check **Register your computer with the "Scan To" functions at the machine** box and enter a name you want to use for your Macintosh® in **Display Name**.

The name can be any name you want up to 15 characters.

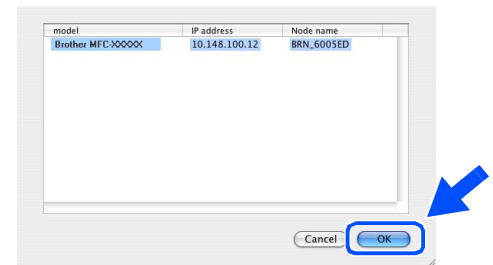
(For more information on network scanning, see Chapter 10 of the Software User's Guide on the CD-ROM.)



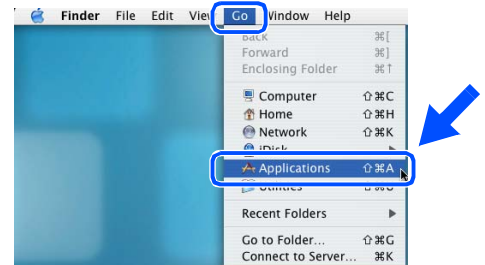
- 11 Click **Browse**.



- 12 Select your model name, and then click **OK**. Click **OK** again to close the **DeviceSelector**.



- 13 Select **Applications** from the **Go** menu.



- 14 Open the **Utilities** folder.

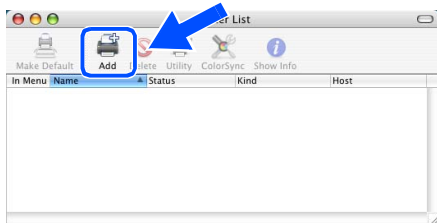


- 15 Open the **Printer Setup Utility** icon.



*For Mac OS® X 10.2.x users, open **Print Center** icon.*

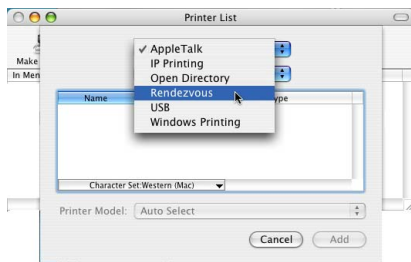
- 16 Click **Add**.



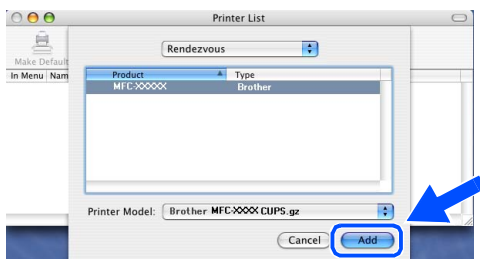
*For Mac OS® X 10.2.4 to 10.3.x users
→ Go to 17*

For Mac OS® X 10.4 users → Go to 18

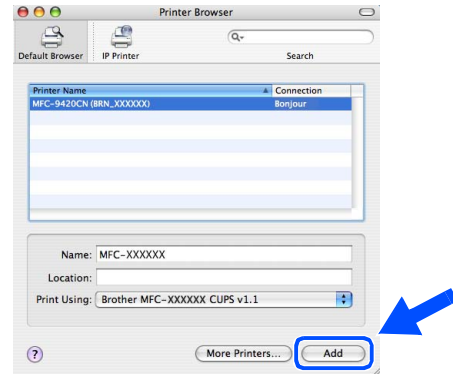
- 17 Make the selection shown below.



- 18 Select **Brother MFC-9420CN** and then click **Add**.



(Mac OS® X 10.2.4 - 10.3.x)



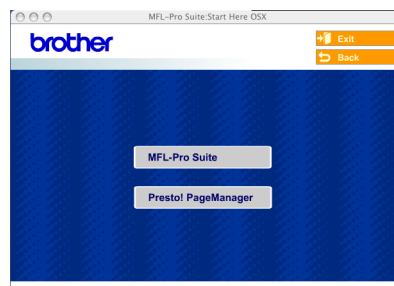
(Mac OS® X 10.4)

- 19 Select **Quit Printer Setup Utility** from the **Printer Setup Utility** menu.



- OK!** The **MFL-Pro Suite, Printer driver, Scanner driver and ControlCenter2** have been installed.

- 20 To install **Presto!® PageManager®**, click the **Presto! PageManager** icon and follow the on-screen instructions.



*When **Presto!® PageManager®** is installed **OCR capability** is added to the **Brother ControlCenter2**. You can also easily scan, share, and organize photos and documents using **Presto!® PageManager®**.*

- OK!** **Presto!® PageManager®** has been installed and the installation is now complete.

Installing the BRAdmin Professional Configuration Utility

The BRAdmin Professional utility for Windows[®] is designed to manage your Brother network connected devices such as network-ready Multifunction devices and/or network-ready printers in a Local Area Network (LAN) environment.

For Macintosh[®] users, please visit the Brother Solution Center (<http://solutions.brother.com>) to download BRAdmin Light.

BRAdmin Professional can also be used to manage devices from other manufacturers whose products support SNMP (Simple Network Management Protocol).

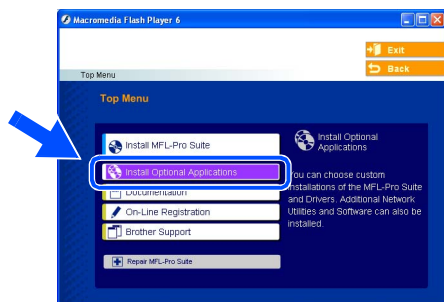
For more information on BRAdmin Professional and BRAdmin Light, go to <http://solutions.brother.com>

For Windows[®] users

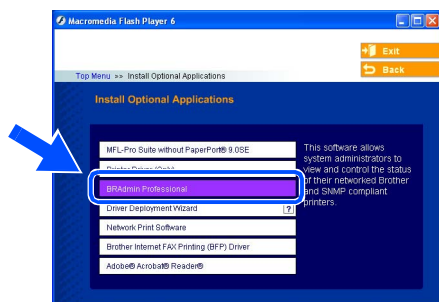
- 1 Insert the supplied CD-ROM into your CD-ROM drive.
The opening screen will appear automatically.
Follow the on-screen instructions.



- 2 Click the **Install Optional Applications** icon on the main menu screen.



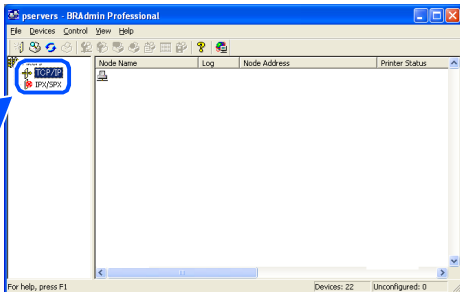
- 3 Click **BRAdmin Professional** and follow the on-screen instructions.



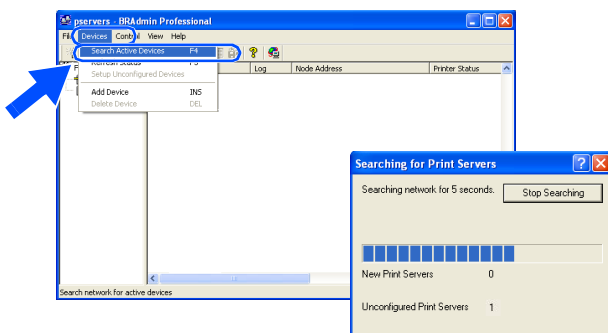
The default password for the print server is **“access”**. You can use BRAdmin Professional or a web browser to change this password.

Setting your IP Address, Subnet Mask and Gateway using BRAdmin Professional (For Windows® Users)

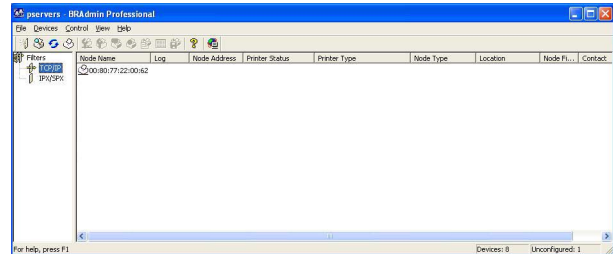
- 1 Start BRAdmin Professional, and select TCP/IP.



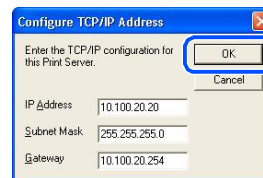
- 2 Select Search Active Devices from the Devices menu. BRAdmin will search for new devices automatically.



- 3 Double-click the new device.



- 4 Enter the IP Address, Subnet Mask and Gateway, and then click the OK button.



- 5 The address information will be saved to the machine.

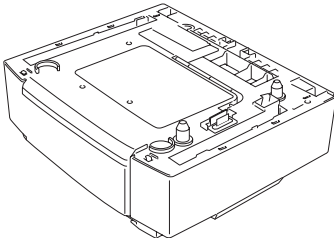
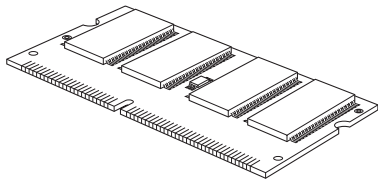


For more information on network administration, please see the Network User's Guide in the programs menu or go to <http://solutions.brother.com>

Options and Consumables

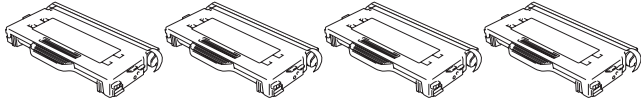
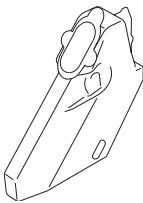
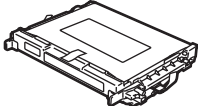
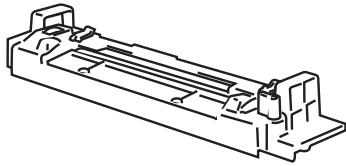
Options

The machine has the following optional accessories. You can expand the capabilities of the machine by adding these items.

Lower Tray Unit	SO-DIMM Memory
LT-27CL	
<div style="text-align: center;">  </div> <p>Second lower paper tray unit expands total input capacity up to 530 sheets.</p>	<div style="text-align: center;">  </div> <p>You can expand the memory up to a total of 576 MB by installing (144-pin SO-DIMM) memory modules.</p> <p>Brother does not supply SO-DIMM Memory. For more details, see "Optional accessories" in Chapter D of the User's Guide.</p>

Replacement Consumables

When the time comes to replace consumables, an error message will be indicated on the LCD. For more information about the consumables for your machine, visit <http://solutions.brother.com> or contact your local Brother re-seller.

Toner Cartridges	Waste Toner Pack
	WT-4CL
<div style="text-align: center;">  </div> <p>Black: TN-04BK Cyan: TN-04C Magenta: TN-04M Yellow: TN-04Y</p>	
OPC Belt Cartridge	Fusing Unit
OP-4CL	FP-4CL
	

Trademarks

The Brother logo is a registered trademark of Brother Industries, Ltd.

Brother is a registered trademark of Brother Industries, Ltd.

Multi-Function Link is a registered trademark of Brother International Corporation.

© 2005 Brother Industries, Ltd. All rights reserved.

Windows, Microsoft and Windows NT are registered trademarks of Microsoft in the U.S. and other countries.

Macintosh is a registered trademark of Apple Computer, Inc.

Postscript and Postscript 3 are registered trademarks or trademarks of Adobe Systems Incorporated.

PaperPort and OmniPage are registered trademarks of ScanSoft, Inc.

Presto! PageManager is a registered trademark of NewSoft Technology Corporation.

Each company whose software title is mentioned in this manual has a Software License Agreement specific to its proprietary programs.

All other brand and product names mentioned in this manual are registered trademarks of their respective companies.

Compilation and Publication

Under the supervision of Brother Industries Ltd., this manual has been compiled and published, covering the latest product descriptions and specifications.

The contents of this manual and the specifications of this product are subject to change without notice.

Brother reserves the right to make changes without notice in the specifications and materials contained herein and shall not be responsible for any damages (including consequential) caused by reliance on the materials presented, including but not limited to typographical and other errors relating to the publication.

This product is designed for use in a Professional Environment.

©2005 Brother Industries, Ltd. ©1998-2005 TROY Group, Inc.

©1983-2005 PACIFIC SOFTWARES INC.

brother®

LF9353001②
US/CAN