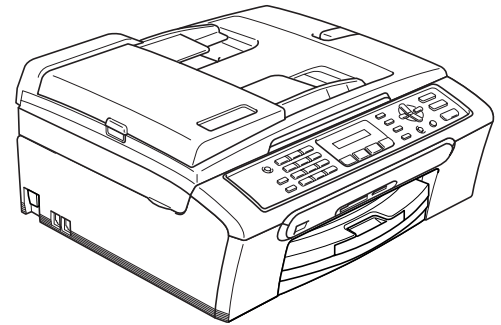


MFC-240C



Before you can use the machine, you must set up the hardware and install the software. Please read this Quick Setup Guide for the correct setup procedure and installation instructions.

STEP 1

Setting Up the Machine






**STEP 2**

Installing the Driver & Software

Setup is Complete!

Keep this Quick Setup Guide, the User's Guide and the supplied CD-ROM in a convenient place for quick and easy reference at all times.

Symbols used in this guide

 Warning	 Caution	 Improper Setup
Warnings tell you what to do to prevent possible personal injury.	Cautions specify procedures you must follow or avoid to prevent possible damage to the machine or other objects.	Improper Setup icons alert you to devices and operations that are not compatible with the machine.
 Note	 User's Guide or Software User's Guide	
Notes tell you how you should respond to a situation that may arise or give tips about how the current operation works with other features.	Indicates reference to the User's Guide or Software User's Guide we have supplied.	

Getting Started

Carton components	2
Control panel.....	3

STEP1- Setting Up the Machine

Removing the protective parts	4
Loading paper	4
Connecting the phone line	6
Connecting the power cord	7
Installing the ink cartridges.....	7
Print quality check	9
Setting the LCD contrast	10
Setting the date and time	11
Setting your station ID.....	11
Setting tone or pulse dialling mode	12
Choosing a Receive Mode	12

STEP2- Installing the Driver & Software

Windows®

For USB Interface Users (For Windows® 98/98SE/Me/2000 Professional/XP/XP Professional x64 Edition)	16
---	----

Macintosh®

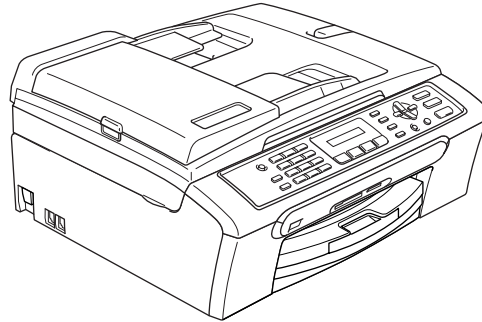
For USB Interface Users (For Mac OS® X 10.2.4 or greater)	19
--	----

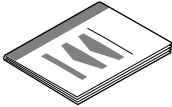

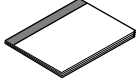


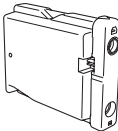

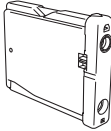

Consumables

Replacement consumables.....	21
Ink cartridge	21

Carton components

Carton components may vary from one country to another.
Save all packing materials and the carton in case for any reason you must ship your machine.

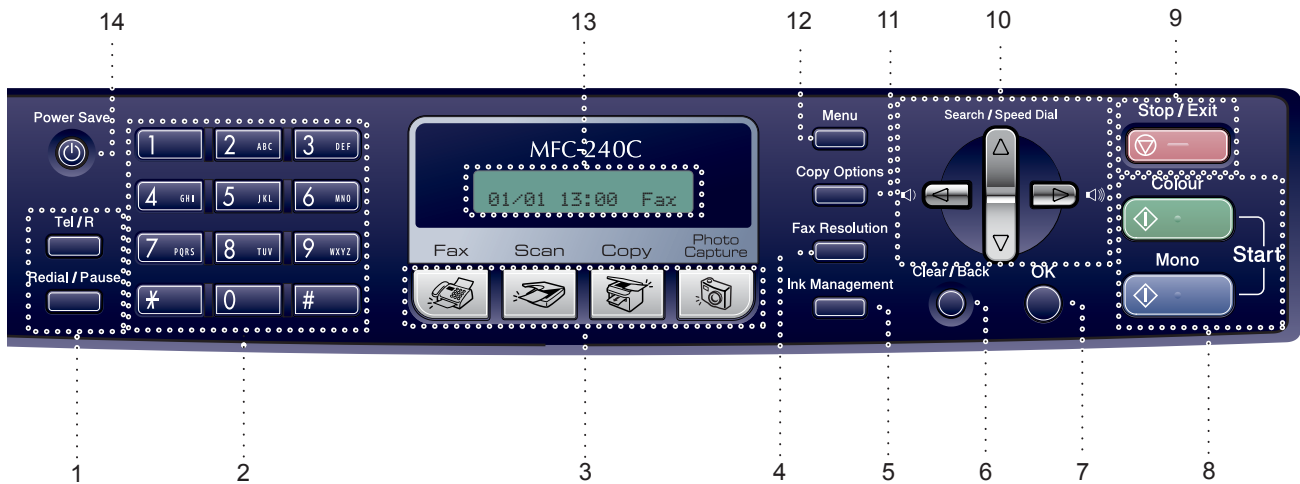


 Quick Setup Guide	 CD-ROM	 User's Guide	
 Telephone Line Cord	 Power Cord		
 Black (LC960BK)	 Yellow (LC960Y)	 Cyan (LC960C)	 Magenta (LC960M)
Ink Cartridges			

A USB interface cable is not a standard accessory.

- Please make sure you use a USB 2.0 cable that is no longer than 2 metres (6 feet) long.
- Your MFC has a USB interface that is compatible with the USB 2.0 specification.
- DO NOT connect the interface cable at this time.
Connecting the interface cable is done during the software installation process.

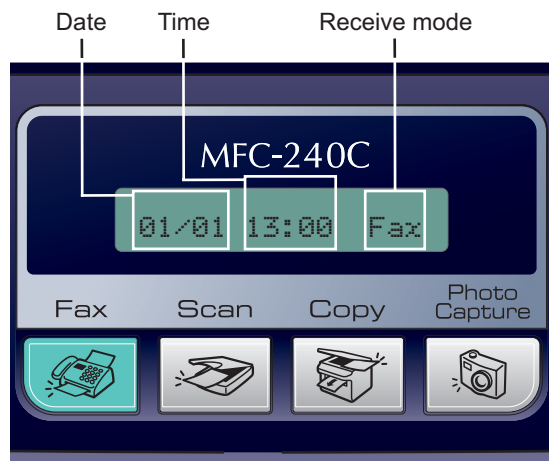
Control panel



- | | |
|--------------------------|---------------------------------|
| 1 Fax and telephone keys | 8 Start keys |
| 2 Dial Pad | 9 Stop/Exit key |
| 3 Mode keys | 10 Navigation keys |
| 4 Fax Resolution key | 11 Copy Options key |
| 5 Ink Management key | 12 Menu key |
| 6 Clear/Back key | 13 LCD (Liquid Crystal Display) |
| 7 OK key | 14 Power Save key |

 For the details of the control panel, see *Control panel overview* in Chapter 1 of the User's Guide.

Note



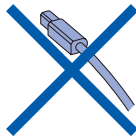
When the machine is idle (not being used) it will return to the default display shown above. The default display shows the date, time, and the current receive mode.

1 Removing the protective parts


- 1 Remove the protective tape and film covering the scanner glass.
- 2 Remove the foam bag containing the ink cartridges from on top of the paper tray.

⊘ Improper Setup

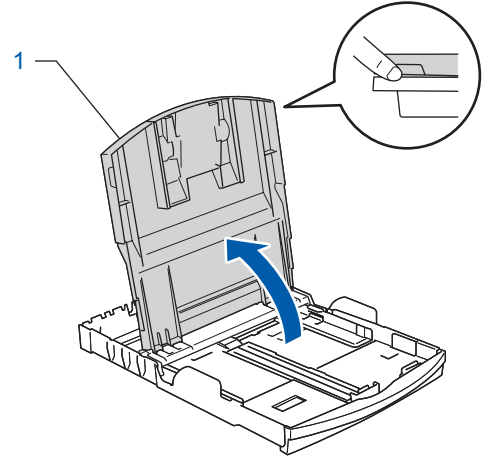
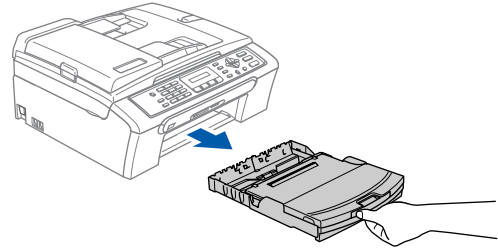
DO NOT connect the USB cable. Connecting the USB cable is done during the software installation process.



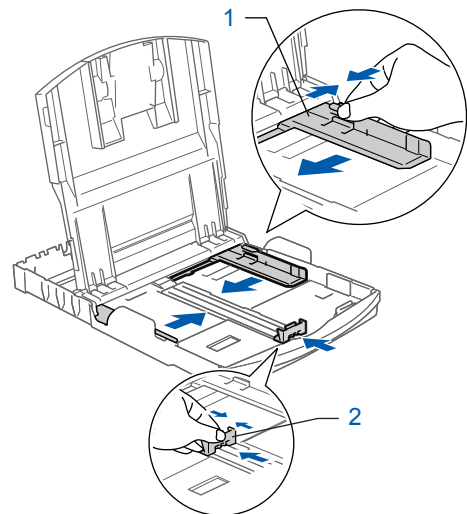
2 Loading paper

-  You can load up to 100 sheets of 80 g/m² (20 lb) paper.
For details, see *Acceptable paper and other media* in Chapter 2 of the User's Guide.

- 1 Pull the paper tray completely out of the machine and lift the output paper tray cover (1).

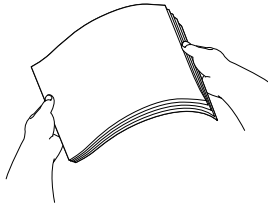


- 2 Press and slide the paper side guides (1) and paper length guide (2) to fit the paper size.

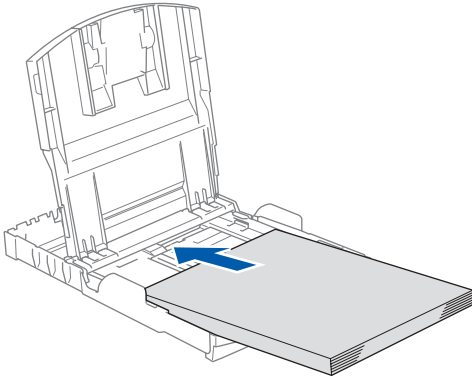


Setting Up the Machine

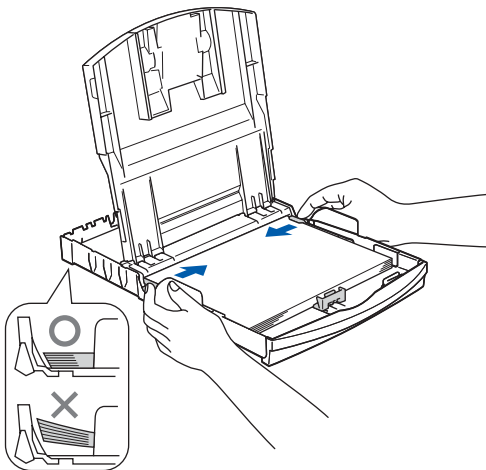
- 3** Fan the stack of paper well to avoid paper jams and misfeeds.



- 4** Gently put the paper into the paper tray print side down and top edge first. Check that the paper is flat in the tray.

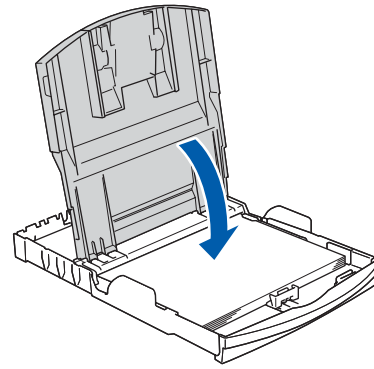


- 5** Gently adjust the paper side guides with both hands and the paper length guide to fit the paper. Make sure that the paper guides touch the edges of the paper.

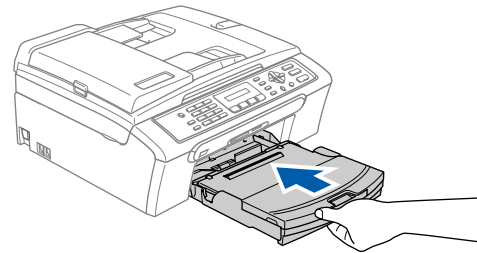


- Note** *Be careful that you do not push the paper in too far; it may lift at the back of the tray and cause paper feed problems.*

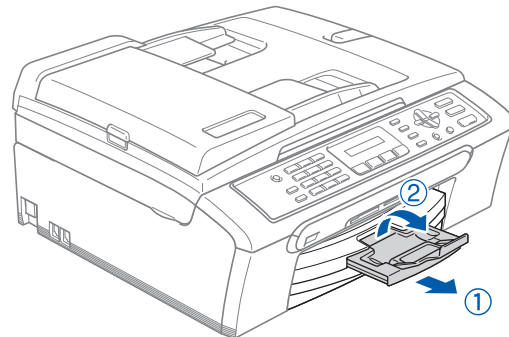
- 6** Close the output paper tray cover.



- 7** Slowly push the paper tray completely into the machine.



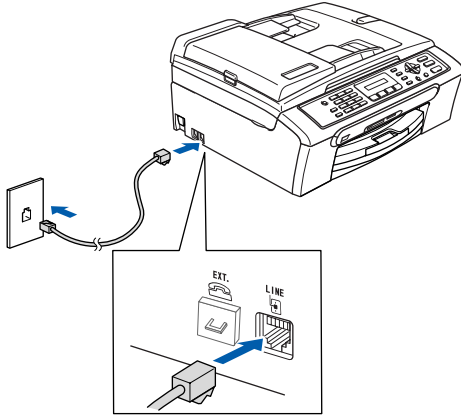
- 8** While holding the paper tray in place, pull out the paper support (1) until it clicks, and then unfold the paper support flap (2).



- Note** *Do not use the paper support flap for Legal paper.*

3 Connecting the phone line

- 1 Connect the telephone line cord. Connect one end of the telephone line cord to the socket on the machine marked **LINE** and the other end to a modular wall socket.

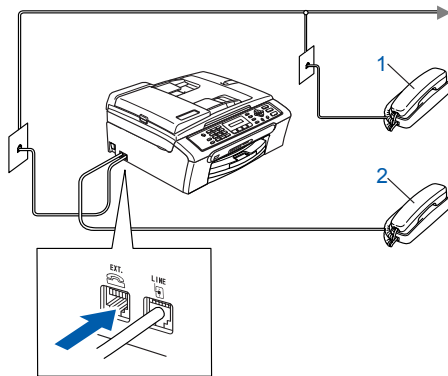


⊘ Improper Setup

DO NOT connect the USB cable. Connecting the USB cable is done during the software installation process.

📝 Note

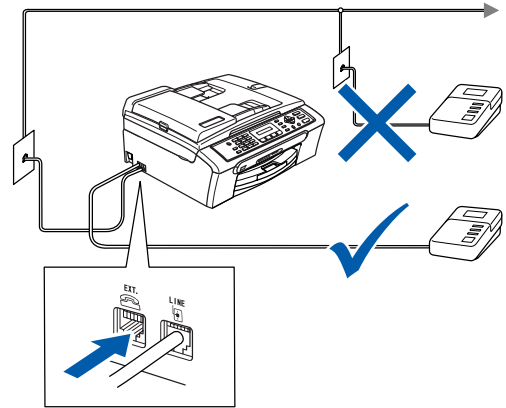
If you are sharing one phone line with an external telephone, connect it as shown below.



- 1 Extension telephone
- 2 External telephone

📝 Note

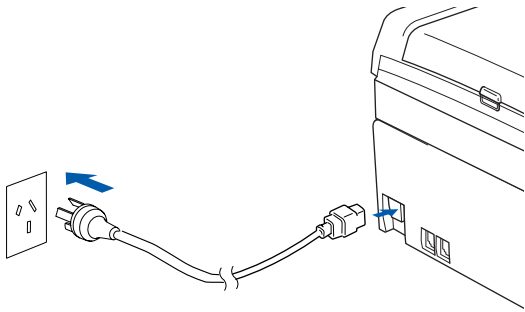
If you are sharing one phone line with an external telephone answering machine, connect it as shown below.



Set the receive mode to 'External TAD' if you have an external answering machine. For details, see *Connecting an external TAD (telephone answering device)* in Chapter 7 of the User's Guide.

4 Connecting the power cord

- 1 Connect the power cord.



Warning

- The machine must be fitted with an earthed plug.
- Since the machine is grounded through the power outlet, you can protect yourself from potentially hazardous electrical conditions on the telephone network by keeping the power cord connected to your machine when you connect it to a telephone line. Similarly, you can protect yourself when you want to move your machine by disconnecting the telephone line first and then the power cord.

5 Installing the ink cartridges

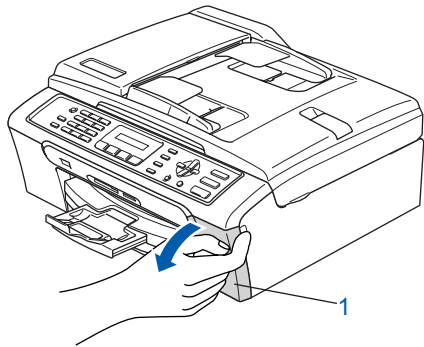
Warning

If ink gets in your eyes, wash them out with water at once, and if irritation occurs consult a doctor.

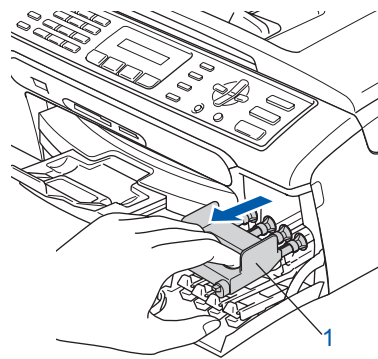
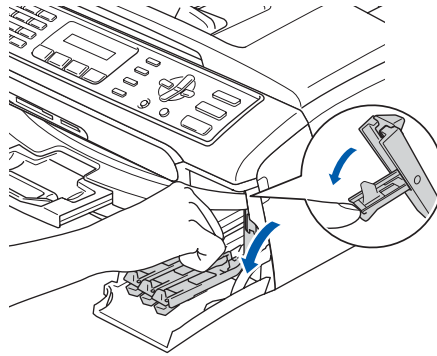
- 1 Make sure that the power is turned on. The LCD shows:

No Cartridge

- 2 Open the ink cartridge cover (1).



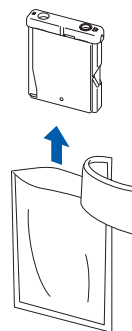
- 3 Pull all the lock release levers down and remove the yellow protective part (1).



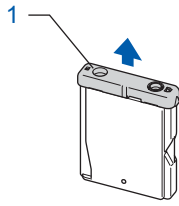
Note

Do not throw away the yellow protective part. You will need it if you transport the machine.

- 4 Take out the ink cartridge.

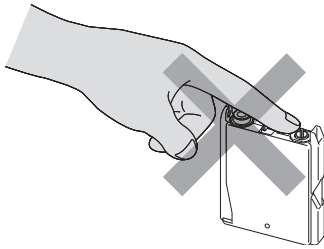


- 5** Carefully remove the protective yellow cap (1).



⊘ Improper Setup

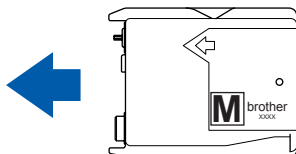
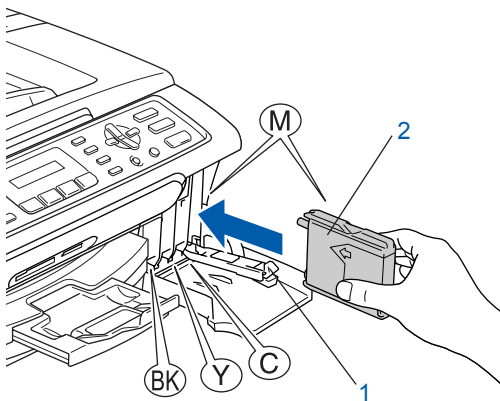
DO NOT touch the area shown in the illustration below.



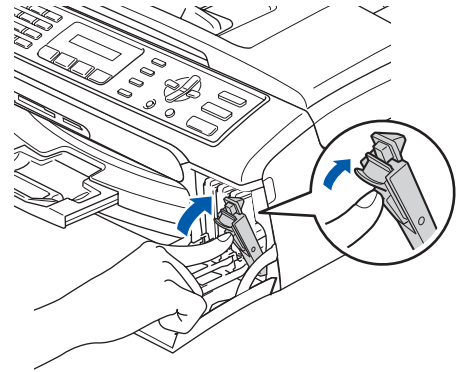
📝 Note

If the protective yellow cap comes off when you open the bag, the cartridge will not be damaged.

- 6** Install each ink cartridge in the direction of the arrow on the label. Take care to match the colour of the lock release lever (1) with the cartridge colour (2), as shown in the diagram below.



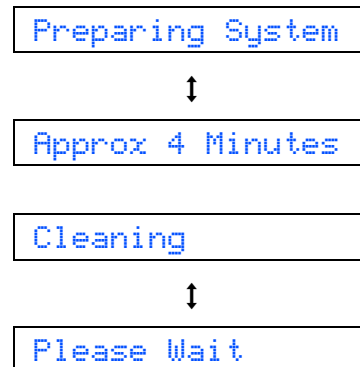
- 7** Lift each lock release lever and gently push it until it clicks, and then close the ink cartridge cover.



📝 Note

If the LCD shows *Install Black*, *Install Yellow*, *Install Cyan* or *Install Magenta* after you install the ink cartridges, check that the ink cartridges are installed properly.

The machine will clean the ink tube system for use for the first time. This process will occur only once, the first time ink cartridges are installed. The cleaning process will last approximately four minutes. The LCD shows:



! Caution

- DO NOT take out ink cartridges if you do not need to replace them. If you do so, it may reduce the ink quantity and the machine will not know the quantity of ink left in the cartridge.
- DO NOT shake the ink cartridges. If ink stains your skin or clothing, wash with soap or detergent at once.
- DO NOT repeatedly insert and remove the cartridges. If you do so, ink may seep out of the cartridge.
- If you mix the colours by installing an ink cartridge in the wrong position, clean the print head several times after correcting the cartridge installation. (See *Cleaning the print head in Appendix B of the User's Guide.*)
- Once you open an ink cartridge, install it in the machine and use it up within six months of installation. Use unopened ink cartridges by the expiration date written on the cartridge package.
- DO NOT dismantle or tamper with the ink cartridge, this can cause the ink to leak out of the cartridge.
- Brother multifunction machines are designed to work with ink of a particular specification and will work to a level of optimum performance when used with genuine Brother branded ink cartridges. Brother cannot guarantee this optimum performance if ink or ink cartridges of other specifications are used. Brother does not therefore recommend the use of cartridges other than genuine Brother branded cartridges with this machine or the refilling of empty cartridges with ink from other sources. If damage is caused to the print head or other parts of this machine as a result of using incompatible products with this machine, any repairs required as a result may not be covered by the warranty.

6 Print quality check

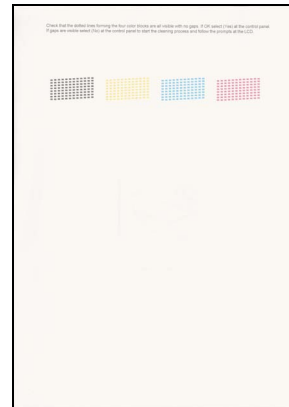
- 1 After the cleaning cycle is finished, the LCD shows:

Set Paper and



Press Start

- 2 Make sure paper is loaded in the paper tray. Press **Colour Start**. The machine starts printing the Print Quality Check Sheet (only during initial ink cartridge installation).
- 3 Check the quality of the four colour blocks on the sheet. (black/ yellow/ cyan/ magenta)



⊘ Improper Setup

Avoid touching the printed surface of the paper immediately after printing, the surface may not be completely dry and may stain your fingers.

- 4 The LCD shows:

Is Quality OK?



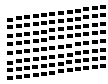
1.Yes 2.No

5

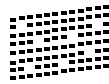
Do one of the following:

- If all lines are clear and visible, press **1** (Yes) on the dial pad to finish the quality check.
- If you can see missing short lines, press **2** (No) on the dial pad and go to step **6**.

OK



Poor



6

The LCD asks you if the print quality is OK for black and colour. Press **1** (Yes) or **2** (No) on the dial pad.

Black OK?



1.Yes 2.No

Color OK?



1.Yes 2.No

After pressing **1** (Yes) or **2** (No) for both black and colour, the LCD shows:

Start Cleaning?



1.Yes 2.No

7

Press **1** (Yes), the machine will then start cleaning the colours.

8

After cleaning is finished, press **Colour Start**. The machine starts printing the Print Quality Check Sheet again and goes back to step **3**.

7

Setting the LCD contrast

You can adjust the LCD contrast for a sharper and more vivid display. If you are having difficulty seeing the LCD from your position, we recommend changing the contrast setting for improved viewing.

1

Press **Menu**, **1**, **6**.

2

Press **▲** or **▼** to choose **Dark** or **Light**.

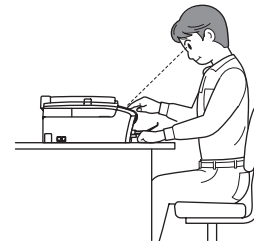
3

Press **OK**.

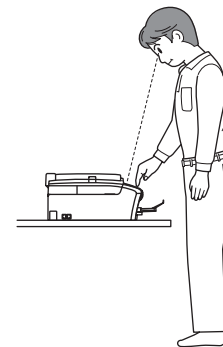
4

Press **Stop/Exit**.

Contrast:Light



Contrast:Dark



8 Setting the date and time

The machine displays the date and time, and if you set up the station ID it will add it to each fax you send.

- 1 Press **Menu**.
- 2 Press **0**.
- 3 Press **2**.
- 4 Enter the last two digits of the year on the dial pad, and then press **OK**.

Year: 2007

(e.g. Enter **0 7** for 2007.)

- 5 Enter the two digits for the month on the dial pad, and then press **OK**.

Month: 01

(e.g. Enter **0 1** for January.)

- 6 Enter the two digits for the day on the dial pad, and then press **OK**.

Day: 01

(e.g. Enter **0 1** for the first day of the month.)

- 7 Enter the time in 24-hour format on the dial pad, and then press **OK**.

Time: 15:25

(e.g. Enter **1 5, 2 5** for 3:25 P.M.)

- 8 Press **Stop/Exit**.



To confirm the current date and time, print out the Users Settings Report. (See Printing reports in Chapter 9 of the User's Guide.)

9 Setting your station ID

You should store your name and fax number to be printed on all fax pages that you send.

- 1 Press **Menu**.
- 2 Press **0**.
- 3 Press **3**.
- 4 Enter your fax number (up to 20 digits) on the dial pad, and then press **OK**. To enter a "+" for international codes, press *****. For example, to enter the UK dialling code "+44", press *****, 4, 4 and then the rest of your number.

Fax: +44XXXXXXXXXX

- 5 Enter your name (up to 20 characters) using the dial pad, and then press **OK**.

Name: _



Note

- See the following chart for entering your name.
- If you need to enter a character that is on the same key as the last character, press to move the cursor to the right.
- If you entered a letter incorrectly and want to change it, press or to move the cursor under the incorrect character, press **Clear/Back**.

Press key	One time	Two times	Three times	Four times
2	A	B	C	2
3	D	E	F	3
4	G	H	I	4
5	J	K	L	5
6	M	N	O	6
7	P	Q	R	S
8	T	U	V	8
9	W	X	Y	Z

- 6 Press **Stop/Exit**.



Note

If you want to repeat input, press **Stop/Exit** to start from step 1.



For details, see Entering Text in Appendix C of the User's Guide.

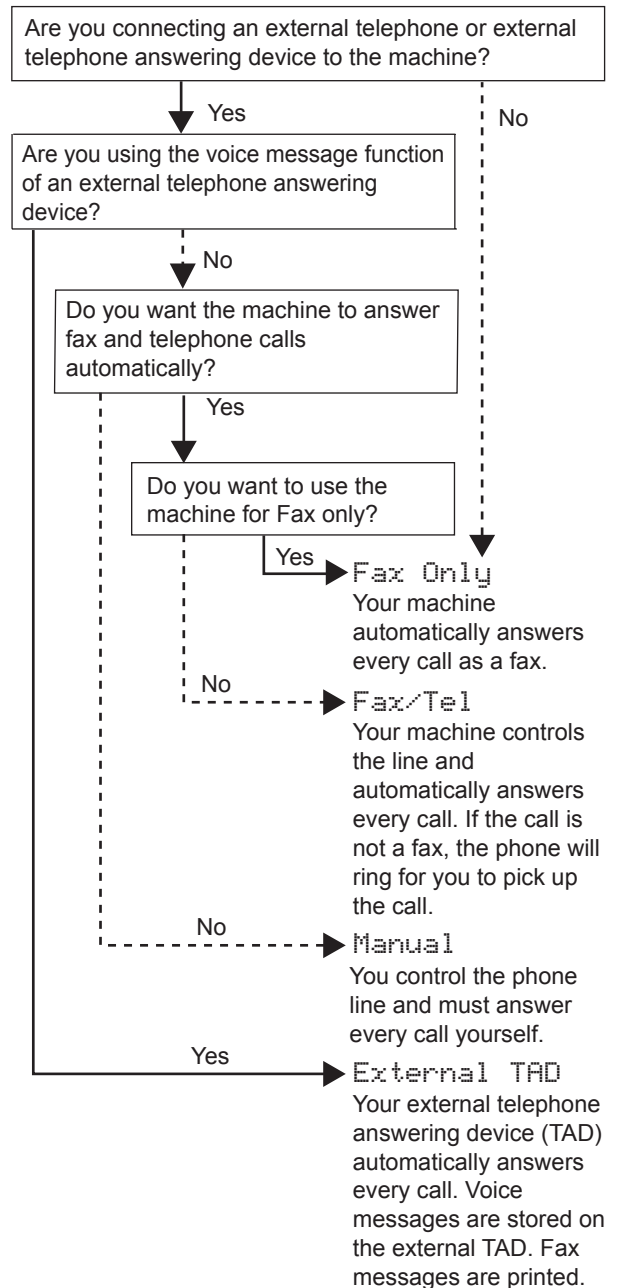
10 Setting tone or pulse dialling mode

Your machine comes set for a Tone dialling service. If you have a Pulse dialling service (rotary), you need to change the dialling mode.

- 1 Press **Menu**.
- 2 Press **0**.
- 3 Press **4**.
- 4 Press **▲** or **▼** to choose **Pulse (or Tone)**. Press **OK**.
- 5 Press **Stop/Exit**.

11 Choosing a Receive Mode

There are four possible receive modes: **Fax Only**, **Fax/Tel**, **Manual** and **External TAD**.



- 1 Press **Menu**.
- 2 Press **0**.
- 3 Press **1**.
- 4 Press **▲** or **▼** to choose the mode.
- 5 Press **OK**.
- 6 Press **Stop/Exit**.



For details, see *Receive mode Settings* in Chapter 6 of the User's Guide.

Now go to

Go to *Supplied CD-ROM 'MFL-Pro Suite'* on the next page to install the drivers.

Supplied CD-ROM 'MFL-Pro Suite'

Windows®



Install MFL-Pro Suite

You can install the MFL-Pro Suite software and multifunction drivers.



User's Guide

View the Software User's Guide in HTML format. The Software User's Guide includes instructions for features available when connected to a computer. (eg. Printing and scanning details)



Brother Solutions Center

You can access the Brother Solutions Center which is a Web site offering information about your Brother product including FAQs, User's Guides, driver updates and tips for using your machine.



Repair MFL-Pro Suite

If an error occurred during the installation of the MFL-Pro Suite, use this selection to automatically repair and re-install the MFL-Pro Suite.



Note

MFL-Pro Suite includes the Printer Driver, Scanner Driver, Brother ControlCenter3 and True Type® fonts.

Macintosh®



Start Here OSX

You can install the MFL-Pro Suite that includes the printer driver, scanner driver and the Brother ControlCenter2 for Mac OS® 10.2.4 or greater.



Documentation

View the Software User's Guide in HTML format. The Software User's Guide includes instructions for features available when connected to a computer. (eg. Printing and scanning details)



Brother Solutions Center

You can access the Brother Solutions Center which is a Web site offering information about your Brother product including FAQs, User's Guides, driver updates and tips for using your machine.

Follow the instructions on this page for your operating system and interface.

For the latest drivers and documentations and to find the best solution for your problem or question, access the Brother Solutions Center directly from the driver or visit <http://solutions.brother.com>.

Windows®



For USB Interface Users

(For Windows® 98/98SE/Me/2000 Professional/XP/XP Professional x64 Edition) 16

Macintosh®



For USB Interface Users

(For Mac OS® X 10.2.4 or greater) 19

The screens for Windows® in this Quick Setup Guide are based on Windows® XP.
The screens for Mac OS® in this Quick Setup Guide are based on Mac OS® X 10.4.

For USB Interface Users (For Windows® 98/98SE/Me/2000 Professional/XP/XP Professional x64 Edition)

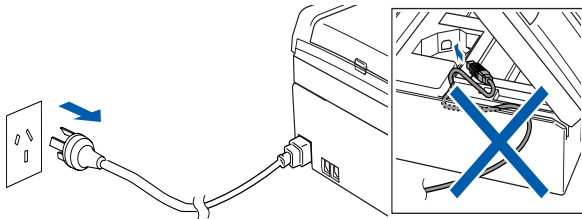
Important

Make sure that you have finished the instructions from Step 1 *Setting Up the Machine* on pages 4 through 12.

Note

- Please close any applications running before installing MFL-Pro Suite.
- Make sure there are no memory cards in the media drive of the machine.

- 1 Disconnect the machine from the power socket and from your computer, if you already connected an interface cable.



- 2 Turn on your PC.
(For Windows® 2000 Professional/XP/XP Professional x64 Edition, you must be logged on with Administrator rights.)

- 3 Put the supplied CD-ROM into your CD-ROM drive. If the model name screen appears, choose your machine. If the language screen appears, choose your language.

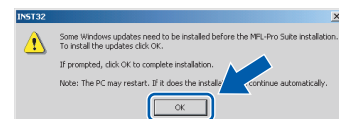


- 4 The CD-ROM main menu will appear. Click **Install MFL-Pro Suite**.



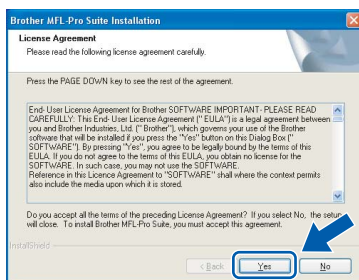
Note

- If this window does not appear, use Windows® Explorer to run the **setup.exe** program from the root folder of the Brother CD-ROM.
- If you are using Windows® 2000 Professional and have not installed service pack 3 (SP3) or greater:
To access the PhotoCapture Center™ features from your computer you may have to install a Windows® 2000 update first.
The Windows® 2000 update is included with the MFL-Pro Suite installer.
To install the update, follow the steps below:
1 Click **OK** to start installation of the Windows® updates.

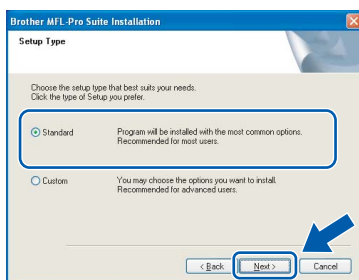


- 2 When instructed, click **OK** to restart your computer.
- 3 After the computer restarts, the installation of MFL-Pro Suite will automatically continue.
If the installation does not continue automatically, open the main menu again by ejecting and then reinserting the CD-ROM disc or double-click the **setup.exe** program from the root folder, and continue from Step 4 to install MFL-Pro Suite.

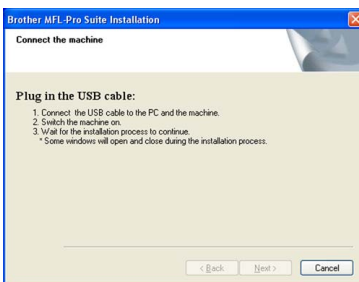
- 5** When the Brother MFL-Pro Suite Software License Agreement window appears, click **Yes** if you agree to the Software License Agreement.



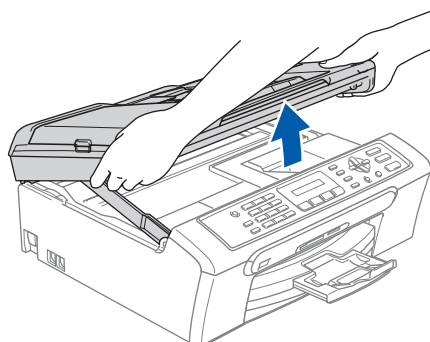
- 6** Choose **Standard**, and then click **Next**. The installation continues.

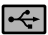


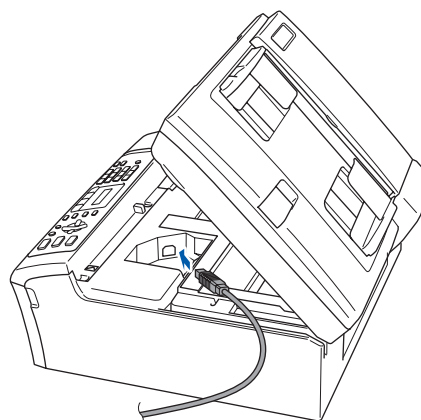
- 7** When this screen appears, go to the next step.



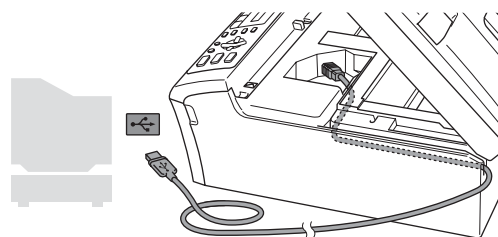
- 8** Using both hands, use the plastic tabs on both sides of the machine to lift the scanner cover until it locks securely into the open position.



- 9** Connect the USB cable to the USB socket marked with a  symbol. You will find the USB socket inside the machine as shown below.



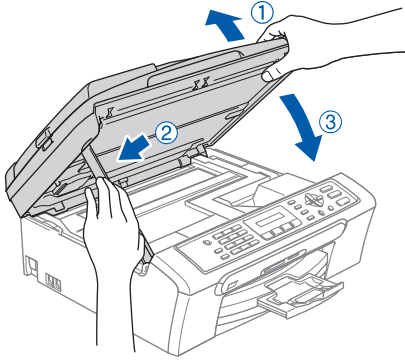
- 10** Carefully guide the USB cable into the trench as shown below, following the trench around and toward the back of the machine. Then connect the cable to your computer.



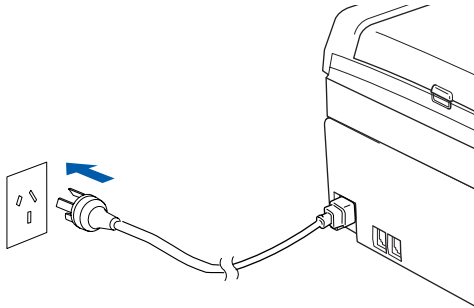
Improper Setup

- **DO NOT** connect the machine to a USB port on a keyboard or a non-powered USB hub. Brother recommends that you connect the machine directly to your computer.
- **Make sure** that the cable does not restrict the cover from closing, or an error may occur.

- 11** Lift the scanner cover to release the lock (①). Gently push the scanner cover support down (②) and close the scanner cover (③).



- 12** Turn on the machine by connecting the power cord.



The installation of the Brother drivers will automatically start. The installation screens appear one after another. **Please wait, it will take a few seconds for all the screens to appear.**

⊘ Improper Setup

DO NOT try to cancel any of the screens during this installation.

- 13** Click **Finish** to restart your computer. (After restarting the computer, for Windows® 2000 Professional/XP/XP Professional x64 Edition, you must be logged on with Administrator rights.)



Note

After restarting the computer, the Installation Diagnostics will run automatically. If the installation is unsuccessful, the installation results window will be shown. If the Diagnostics shows a failure, please follow the on-screen instructions or read the on-line help and FAQs in **Start/All Programs (Programs)/Brother/MFC-XXXX**.



The MFL-Pro Suite has been installed and the installation is now complete.

Note

MFL-Pro Suite includes the Printer Driver, Scanner Driver, Brother ControlCenter3 and True Type® fonts.

Windows®XP Professional X 64 Edition dose not support the Brother Control Center 3 Modern user interface (see the Software User's Guide located on the CD-ROM for details).

For USB Interface Users (For Mac OS® X 10.2.4 or greater)

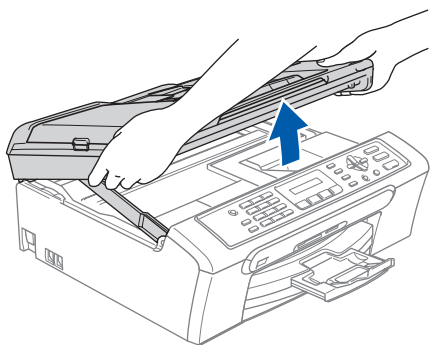
Important


Make sure that you have finished the instructions from Step 1 *Setting Up the Machine* on pages 4 through 12.

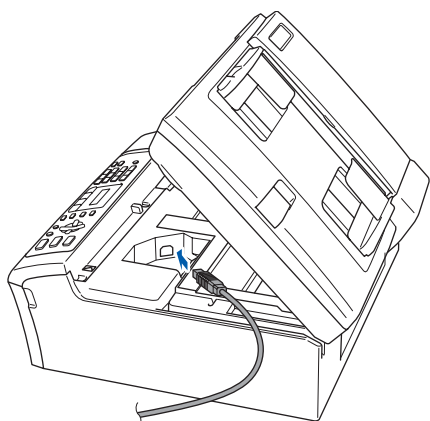
Note

For Mac OS® X 10.2.0 to 10.2.3 users, upgrade to Mac OS® X 10.2.4 or greater. (For the latest information for Mac OS® X, visit <http://solutions.brother.com>)

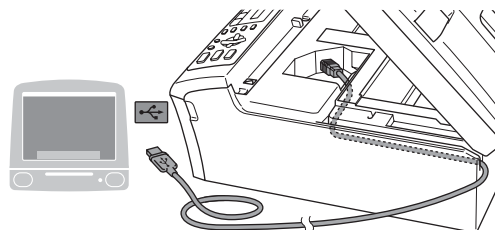
- Using both hands, use the plastic tabs on both sides of the machine to lift the scanner cover until it locks securely into the open position.



- Connect the USB cable to the USB socket marked with a  symbol. You will find the USB socket inside the machine as shown below.



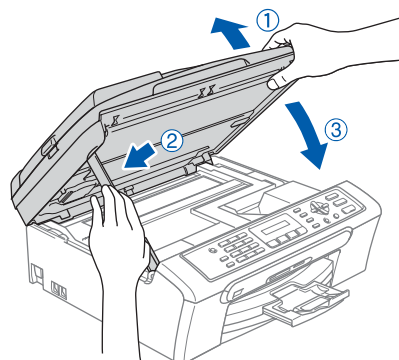
- Carefully guide the USB cable into the trench as shown below, following the trench around and toward the back of the machine. Then connect the cable to your computer.



⊘ Improper Setup

- DO NOT connect the machine to a USB port on a keyboard or a non-powered USB hub. Brother recommends that you connect the machine directly to your computer.
- Make sure that the cable does not restrict the cover from closing, or an error may occur.

- Lift the scanner cover to release the lock (①). Gently push the scanner cover support down (②) and close the scanner cover (③).



Note

Make sure that the machine is turned on by connecting the power cord.

- 5 Turn on your Macintosh®.
- 6 Put the supplied CD-ROM into your CD-ROM drive.



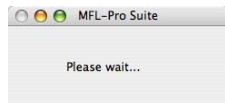
- 7 Double-click the **Start Here OSX** icon to install. Follow the on-screen instructions.



Note

Please wait, it will take a few seconds for the software to install. After the installation, click **Restart** to finish installing the software.

- 8 The Brother software will search for the Brother device. During this time the following screen will appear.

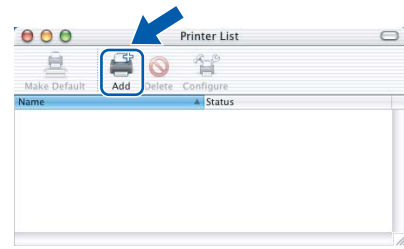


- 9 When this screen appears, click **OK**.

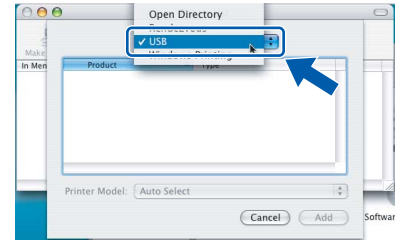


For Mac OS® X 10.3.x or greater users: The MFL-Pro Suite, Brother printer driver, scanner driver and Brother ControlCenter2 have been installed and the installation is now complete.

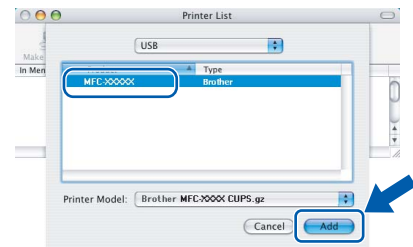
- 10 For Mac OS® X 10.2.4 to 10.2.8 users: Click **Add**.



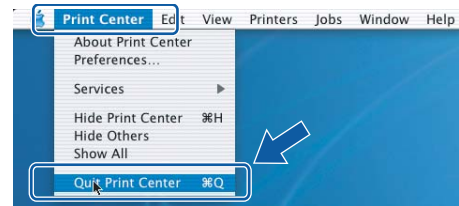
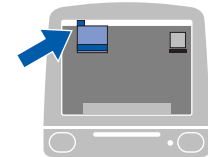
- 11 Choose **USB**.



- 12 Choose **MFC-XXXX** (where XXXX is your model name), and then click **Add**.



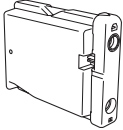
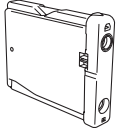
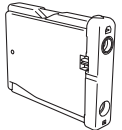
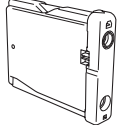
- 13 Click **Print Center**, then **Quit Print Center**.



The MFL-Pro Suite, Brother printer driver, scanner driver and Brother ControlCenter2 have been installed and the installation is now complete.

Replacement consumables

Ink cartridge

Black	Yellow	Cyan	Magenta
LC960BK	LC960Y	LC960C	LC960M
			

Trademarks

The Brother logo is a registered trademark of Brother Industries, Ltd.

Brother is a registered trademark of Brother Industries, Ltd.

Multi-Function Link is a registered trademark of Brother International Corporation.

Windows and Microsoft are registered trademarks of Microsoft in the U.S. and other countries.

Macintosh and True Type are registered trademarks of Apple Computer, Inc.

Presto! PageManager is a registered trademark of NewSoft Technology Corporation.

PictBridge is a trademark.

Each company whose software title is mentioned in this manual has a Software License Agreement specific to its proprietary programs.

All other brand and product names mentioned in this manual are trademarks or registered trademarks of their respective companies.

Compilation and Publication

Under the supervision of Brother Industries Ltd., this manual has been compiled and published, covering the latest product descriptions and specifications.

The contents of this manual and the specifications of this product are subject to change without notice.

Brother reserves the right to make changes without notice in the specifications and materials contained herein and shall not be responsible for any damages (including consequential) caused by reliance on the materials presented, including but not limited to typographical and other errors relating to the publication.

This product is designed for use in a Professional Environment.

Copyright and License

©2006 Brother Industries, Ltd.

brother®