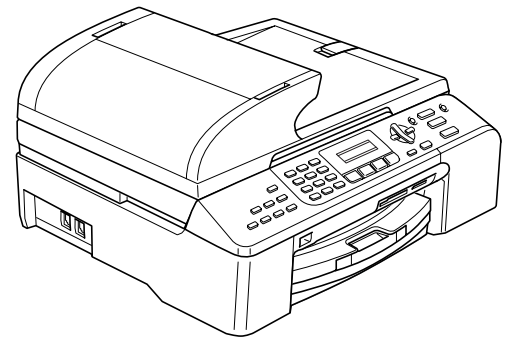


MFC-5460CN
MFC-5860CN



Before you can use the machine, you must set up the hardware and install the software.
Please read this Quick Setup Guide for the correct setup procedure and installation instructions.

STEP 1

Setting Up the Machine



STEP 2






Installing the Driver & Software

Setup is Complete!

Keep this Quick Setup Guide, the User's Guide and the supplied CD-ROM in a convenient place for quick and easy reference at all times.



Symbols used in this guide

 Warning	 Caution	 Improper Setup
Warnings tell you what to do to prevent possible personal injury.	Cautions specify procedures you must follow or avoid to prevent possible damage to the machine or other objects.	Improper Setup icons alert you to devices and operations that are not compatible with the machine.
 Note	 User's Guide, Software User's Guide or Network User's Guide	
Notes tell you how you should respond to a situation that may arise or give tips about how the current operation works with other features.	Indicates reference to the User's Guide, Software User's Guide or Network User's Guide we have supplied.	

Getting Started

Carton components	2
Control panel	3

STEP 1 – Setting Up the Machine

Removing the protective parts	4
Loading paper	4
Loading paper in paper tray#2 (MFC-5860CN only)	6
Connecting the phone line	7
Connecting the power cord	8
Installing the ink cartridges	8
Print quality check	10
Setting the LCD contrast	11
Setting the date and time	12
Setting your station ID	12
Setting tone or pulse dialling mode	13
Setting the phone line type	13
Choosing a Receive Mode	13

STEP 2 – Installing the Driver & Software

Windows®

For USB Interface Users (For Windows® 98/98SE/Me/2000 Professional/XP/XP Professional x64 Edition)	16
For Network Interface Users (For Windows® 98/98SE/Me/2000 Professional/XP/XP Professional x64 Edition)	19

Macintosh®

For USB Interface Users (For Mac OS® X 10.2.4 or greater)	23
For Network Interface Users (For Mac OS® X 10.2.4 or greater)	25

For Network Users

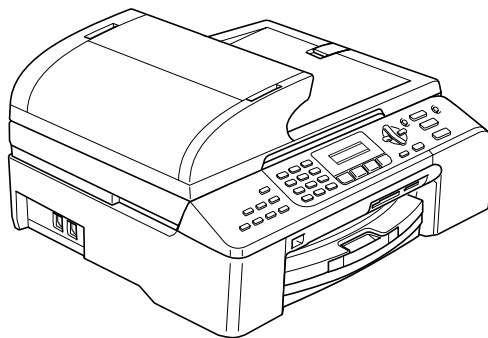
BRAdmin Professional configuration utility (For Windows® users)	28
Installing the BRAdmin Professional configuration utility	28
Setting your IP address, Subnet Mask and Gateway using BRAdmin Professional	28
BRAdmin Light configuration utility (For Mac OS® X users)	29
Setting your IP address, Subnet Mask and Gateway using BRAdmin Light	29

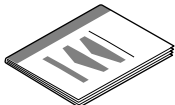

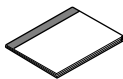


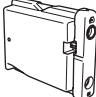

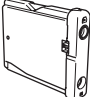
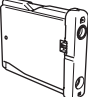
Consumables

Replacement consumables	30
Ink cartridge	30

Carton components

Carton components may vary from one country to another.
Save all packing materials and the carton in case for any reason you must ship your machine.



 Quick Setup Guide	 CD-ROM	 User's Guide	
 Power Cord	 Telephone Line Cord		
 Black (LC1000BK)	 Yellow (LC1000Y)	 Cyan (LC1000C)	 Magenta (LC1000M)
Ink Cartridges			

An interface cable is not a standard accessory. You need to purchase an appropriate USB 2.0 interface cable or network cable.

USB cable

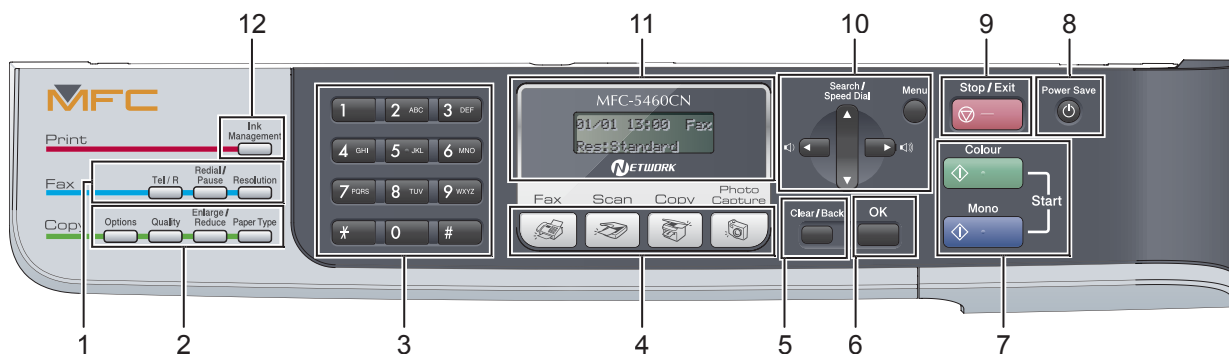
- Please make sure you use a USB 2.0 cable that is no longer than 2 metres (6 feet) long.
- Your machine has a USB interface that is compatible with the USB 2.0 specification.
- DO NOT connect the interface cable at this time.
Connecting the interface cable is done during the software installation process.

Network cable

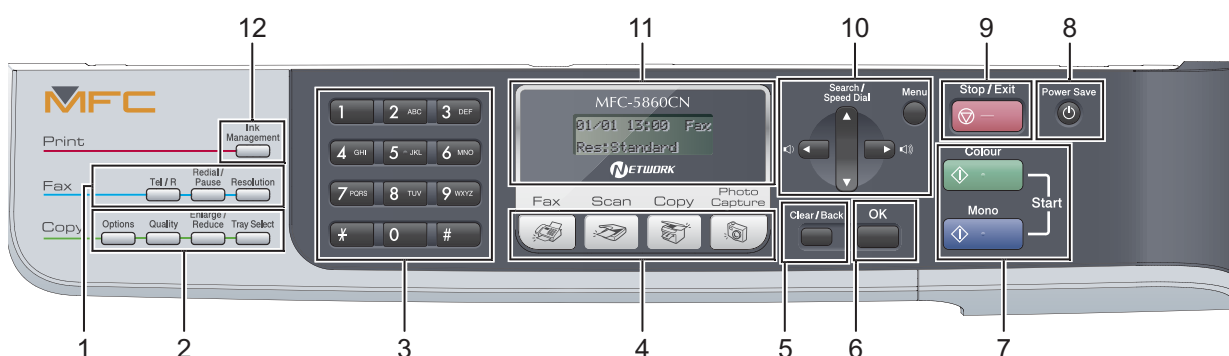
- Use a straight-through Category5 (or greater) twisted-pair cable for 10BASE-T or 100BASE-TX Fast Ethernet Network.

Control panel

(For MFC-5460CN)

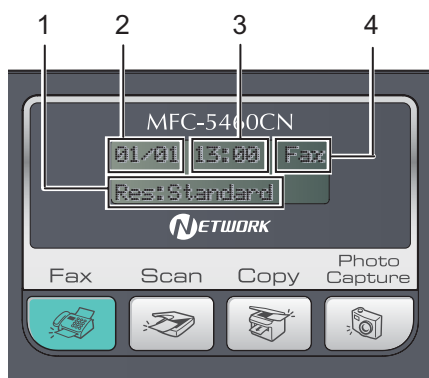


(For MFC-5860CN)



- | | |
|--------------------------|---------------------------------|
| 1 Fax and telephone keys | 7 Start keys |
| 2 Copy Options keys | 8 Power Save key |
| 3 Dial Pad | 9 Stop/Exit key |
| 4 Mode keys | 10 Menu keys |
| 5 Clear/Back key | 11 LCD (Liquid Crystal Display) |
| 6 OK key | 12 Ink Management key |

Note



- | |
|------------------|
| 1 Machine status |
| 2 Date |
| 3 Time |
| 4 Receive mode |

When the machine is idle (not being used) it will return to the default display shown above. The default display shows the date, time, the current receive mode, and the current machine status.

For the details of the control panel, see Control panel overview in Chapter 1 of the User's Guide.

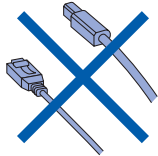
■ Illustrations in this Quick Setup Guide are based on MFC-5460CN.

1 Removing the protective parts


- 1 Remove the protective tape and film covering the scanner glass.
- 2 Remove the foam bag containing the ink cartridges from on top of the paper tray.

⊘ Improper Setup

DO NOT connect the interface cable.
Connecting the interface cable is done during the software installation process.



2 Loading paper

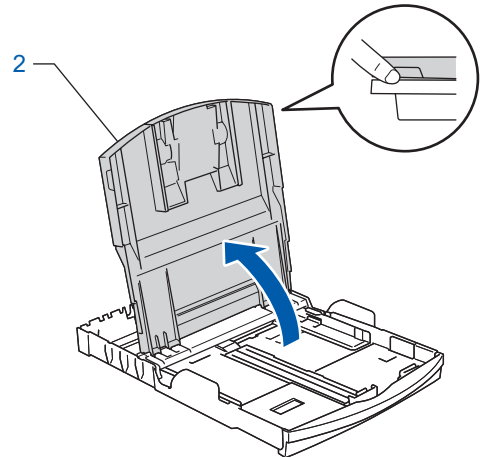
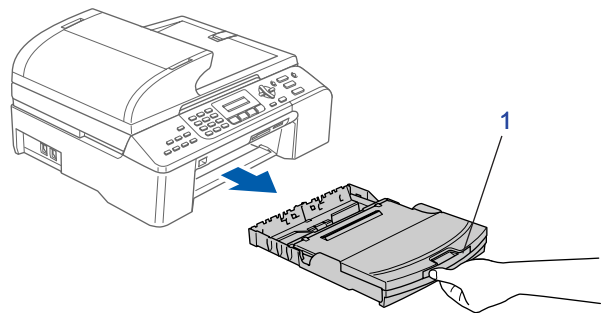
-  You can load up to 100 sheets of 80 g/m² (20 lb) paper.
For details, see *Acceptable paper and other media in Chapter 2 of the User's Guide.*



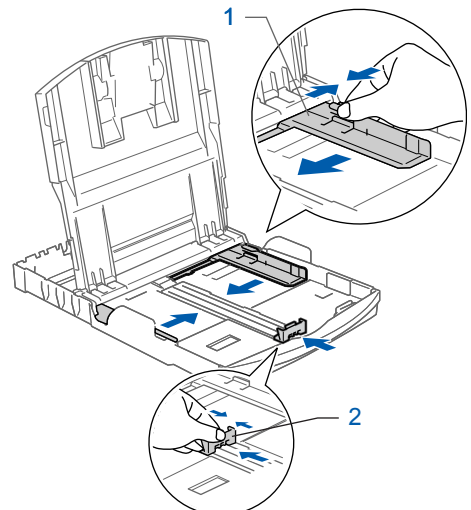
Note

For Tray#2, see *Loading paper in paper tray#2 (MFC-5860CN only) on page 6.*

- 1 Pull the paper tray completely out of the machine. If the paper support flap (1) is open, close it and lift the output paper tray cover (2).

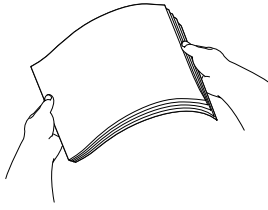


- 2 Press and slide the paper side guides (1) and paper length guide (2) to fit the paper size.

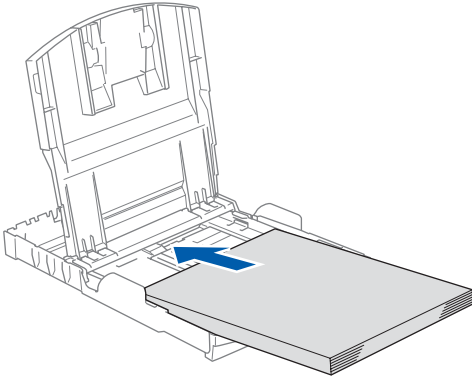


Setting Up the Machine

- 3** Fan the stack of paper well to avoid paper jams and misfeeds.

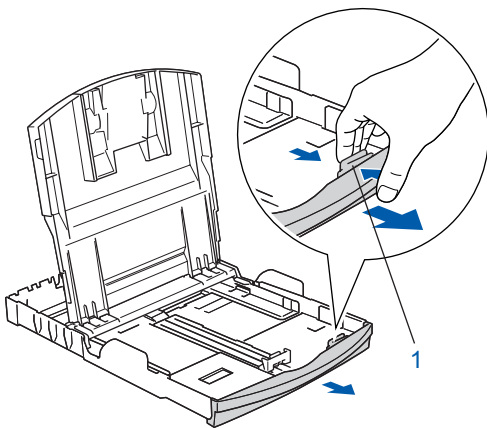


- 4** Gently put the paper into the paper tray print side down and top edge first. Check that the paper is flat in the tray.

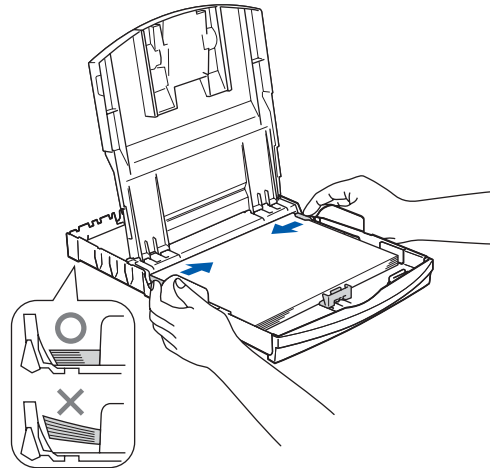


Note

If you are using Legal size paper, press and hold the universal guide release button (1) as you slide out the front of the paper tray to match the paper size you are using.



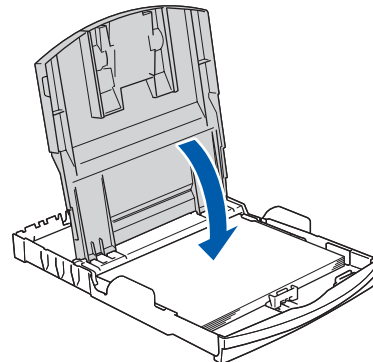
- 5** Gently adjust the paper side guides with both hands to fit the paper. Make sure the paper side guides touch the sides of the paper.



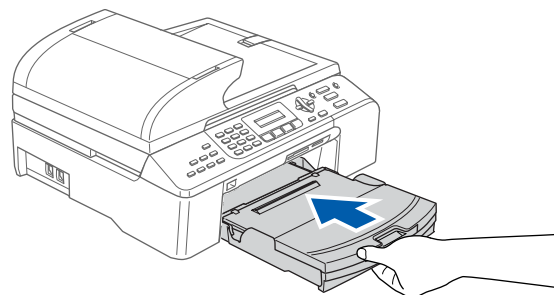
Note

Be careful that you do not push the paper in too far; it may lift at the back of the tray and cause feed problems.

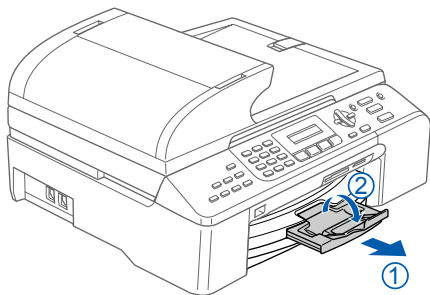
- 6** Close the output paper tray cover.



- 7** Slowly push the paper tray completely into the machine.



- 8** While holding the paper tray in place, pull out the paper support (①) until it clicks, and unfold the paper support flap (②).



Note

Do not use the paper support flap for Legal paper.

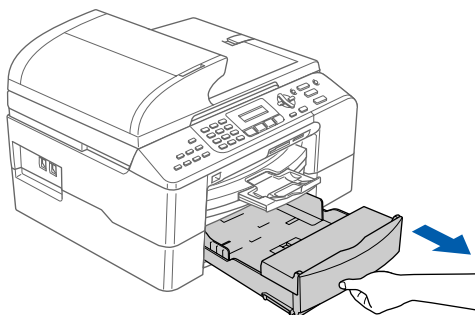
3 Loading paper in paper tray#2 (MFC-5860CN only)



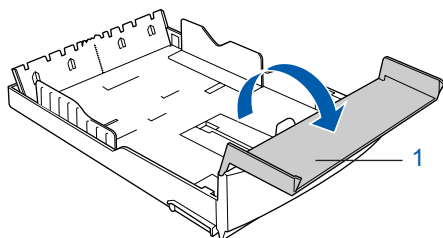
Note

You can use only plain paper sizes Letter, Legal, A4, Executive or B5 in Tray#2.

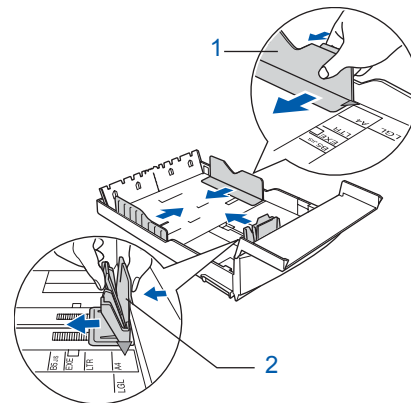
- 1** Pull the paper tray completely out of the machine.



- 2** Open the tray cover (1).

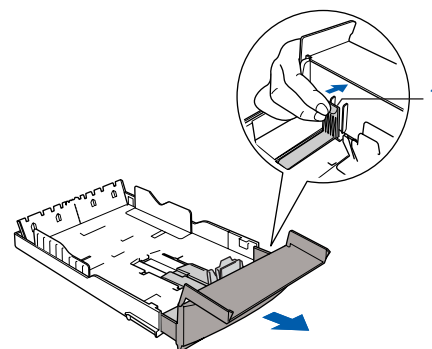


- 3** Press and slide the paper side guides (1) and paper length guide (2) to fit the paper size. Make sure that the triangular marks on the paper side guides (1) and paper length guide (2) line up with the mark for the paper size you are using.



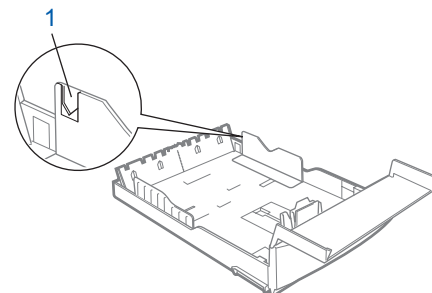
Note

If you are using Legal size paper, press and hold the universal guide release button (1) as you slide out the front of the paper tray to match the paper size you are using.



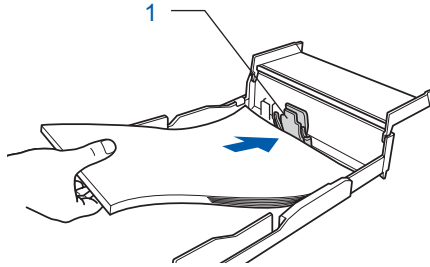
- 4** Fan the stack of paper well to avoid paper jams and misfeeds.

- 5** Gently put the paper into the paper tray print side down and top edge first. Check that the paper is flat in the tray and below the maximum paper mark (1).

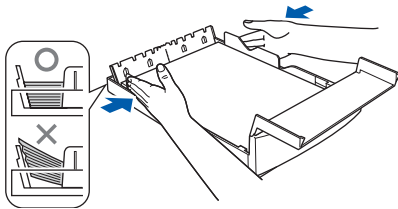


Note

When you put the paper into the paper tray, slide the paper in making sure that it touches the paper length guide (1) first, then gently lower the other end of the paper.



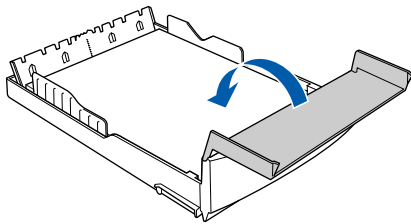
- 6** Gently adjust the paper side guides with both hands to fit the paper. Make sure the paper side guides touch the sides of the paper.



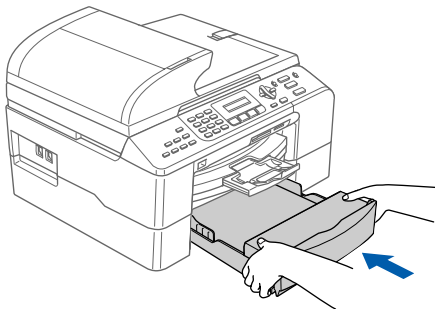
Note

Be careful that you do not push the paper in too far; it may lift at the back of the tray and cause feed problems.

- 7** Close the tray cover.

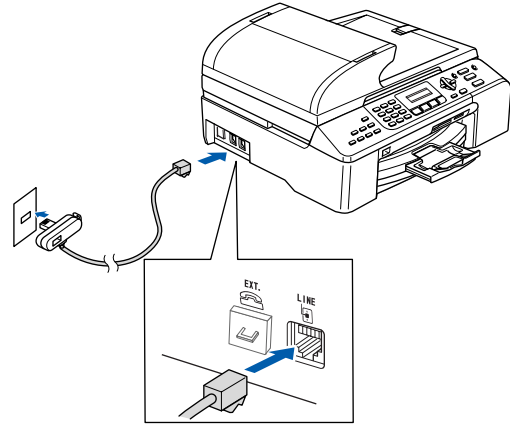


- 8** Slowly push the paper tray completely into the machine.



4 Connecting the phone line

- 1** Connect the telephone line cord. Connect one end of the telephone line cord to the socket on the machine marked **LINE** and the other end to a modular wall socket.

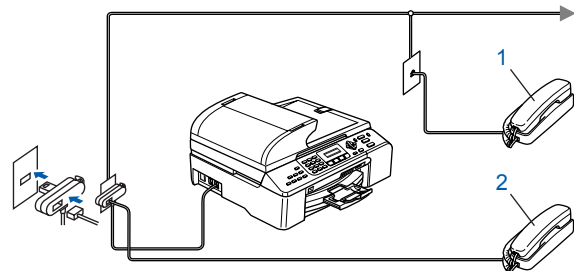


Improper Setup

DO NOT connect the interface cable. Connecting the interface cable is done during the software installation process.

Note

If you are sharing one phone line with an external telephone, connect it as shown below.

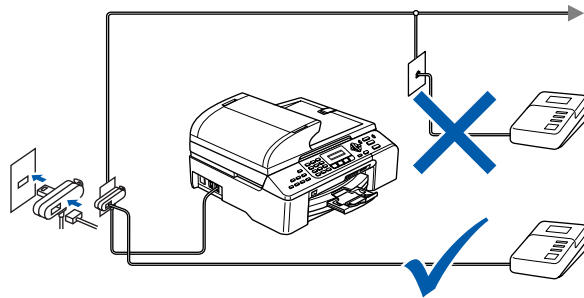


- 1 Extension telephone
2 External telephone

STEP 1 Setting Up the Machine

Note

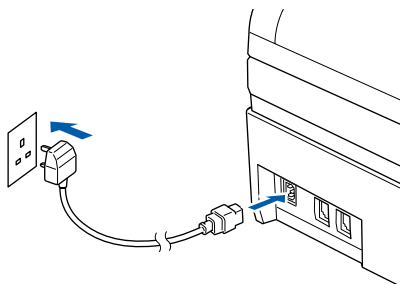
If you are sharing one phone line with an external telephone answering machine, connect it as shown below.



Set the receive mode to 'External TAD' if you have an external answering machine. For details, see *Connecting an external TAD (telephone answering device)* in Chapter 7 of the User's Guide.

5 Connecting the power cord

- 1 Connect the power cord.



Warning

- The machine must be fitted with an earthed plug.
- Since the machine is grounded through the power outlet, you can protect yourself from potentially hazardous electrical conditions on the telephone network by keeping the power cord connected to your machine when you connect it to a telephone line. Similarly, you can protect yourself when you want to move your machine by disconnecting the telephone line first and then the power cord.

6 Installing the ink cartridges

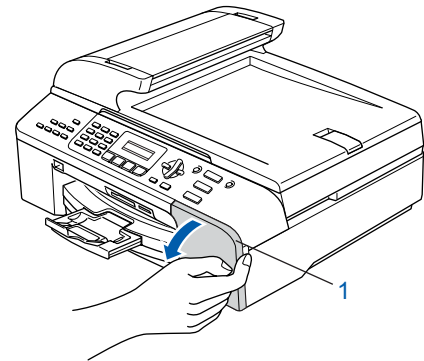
Warning

If ink gets in your eyes, wash them out with water at once, and if irritation occurs consult a doctor.

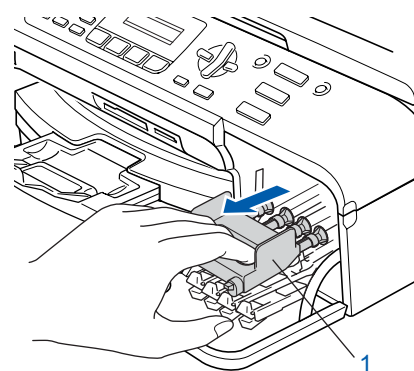
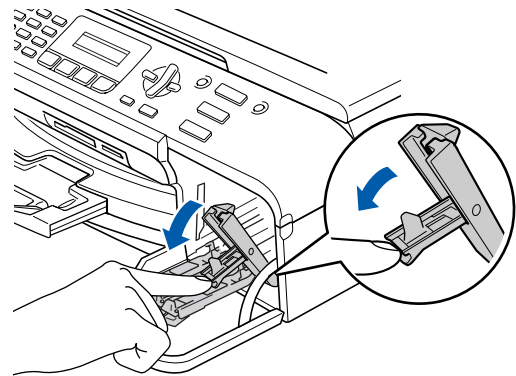
- 1 Make sure that the power is turned on. The LCD shows:

No Cartridge
Open ink cartridge...

- 2 Open the ink cartridge cover (1).



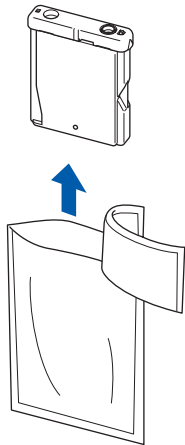
- 3 Pull all the lock release levers down and remove the yellow protective part (1).



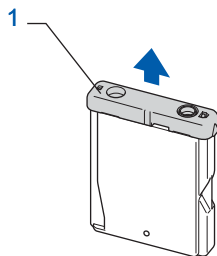
Note

Do not throw away the yellow protective part. You will need it if you transport the machine.

- 4** Take out the ink cartridge.

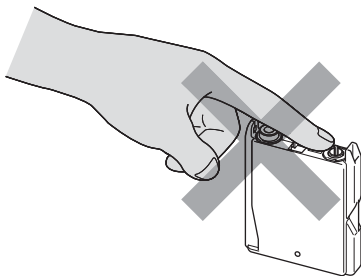


- 5** Carefully remove the protective yellow cap (1).



⊘ Improper Setup

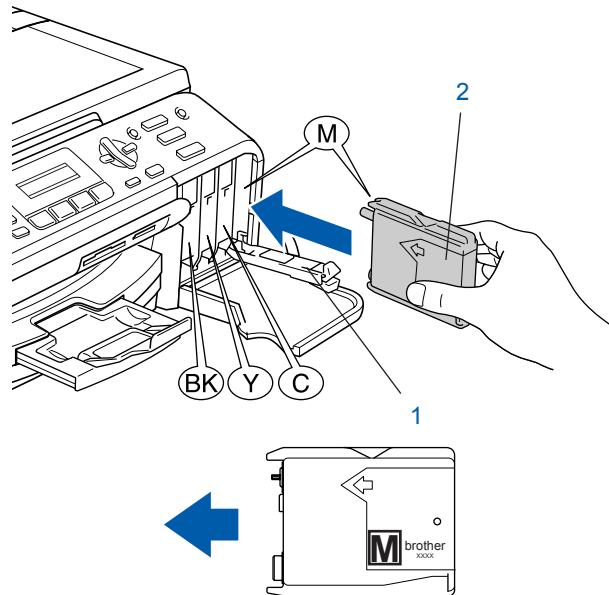
DO NOT touch the area shown in the illustration below.



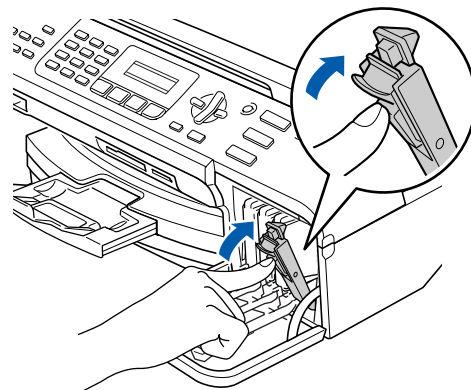
📄 Note

If the protective yellow cap comes off when you open the bag, the cartridge will not be damaged.

- 6** Install each ink cartridge in the direction of the arrow on the label. Take care to match the colour of the lock release lever (1) with the cartridge colour (2), as shown in the diagram below.



- 7** Lift each lock release lever and gently push it until it clicks, and then close the ink cartridge cover.



📄 Note

If the LCD shows *Install Black, Install Yellow, Install Cyan or Install Magenta* after you install the ink cartridges, check that the ink cartridges are installed correctly.

The machine will clean the ink tube system for use for the first time. This process will occur only once, the first time ink cartridges are installed. The cleaning process will last approximately four minutes.

STEP 1 Setting Up the Machine

The LCD shows:

Preparing System
Approx 4 Minutes

Cleaning
Please Wait

! Caution

- DO NOT take out ink cartridges if you do not need to replace them. If you do so, it may reduce the ink quantity and the machine will not know the quantity of ink left in the cartridge.
- DO NOT shake the ink cartridges. If ink stains your skin or clothing, wash with soap or detergent at once.
- DO NOT repeatedly insert and remove the cartridges. If you do so, ink may seep out of the cartridge.
- If you mix the colours by installing an ink cartridge in the wrong position, clean the print head several times after correcting the cartridge installation. (See *Cleaning the print head in Appendix B of the User's Guide.*)
- Once you open an ink cartridge, install it in the machine and use it up within six months of installation. Use unopened ink cartridges by the expiration date written on the cartridge package.
- DO NOT dismantle or tamper with the ink cartridge, this can cause the ink to leak out of the cartridge.
- Brother multifunction machines are designed to work with ink of a particular specification and will work to a level of optimum performance when used with genuine Brother branded ink cartridges. Brother cannot guarantee this optimum performance if ink or ink cartridges of other specifications are used. Brother does not therefore recommend the use of cartridges other than genuine Brother branded cartridges with this machine or the refilling of empty cartridges with ink from other sources. If damage is caused to the print head or other parts of this machine as a result of using incompatible products with this machine, any repairs required as a result may not be covered by the warranty.

7 Print quality check

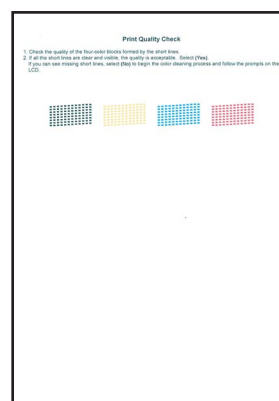
- 1 After the cleaning cycle is finished, the LCD shows:

Set Paper and
Press Start

- 2 Make sure paper is loaded in the paper tray. Press **Colour Start**.

The machine starts printing the Print Quality Check Sheet (only during initial ink cartridge installation).

- 3 Check the quality of the four colour blocks on the sheet.
(black/ yellow/ cyan/ magenta)



⊘ Improper Setup

Avoid touching the printed surface of the paper immediately after printing, the surface may not be completely dry and may stain your fingers.

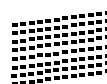
- 4 The LCD shows:

Is Quality OK?
1.Yes 2.No

- 5 Do one of the following:
 - If all lines are clear and visible, press **1** (Yes) on the dial pad to finish the quality check.
 - If you can see missing short lines, press **2** (No) on the dial pad and go to step **6**.

OK

Poor



- 6** The LCD asks you if the print quality is OK for black and colour. Press **1** (Yes) or **2** (No) on the dial pad.

```
Black OK?  
1.Yes 2.No
```

```
Color OK?  
1.Yes 2.No
```

After pressing **1** (Yes) or **2** (No) for both black and colour, the LCD shows:

```
Start Cleaning?  
1.Yes 2.No
```

- 7** Press **1** (Yes), the machine will then start cleaning the colours.

- 8** After cleaning is finished, press **Colour Start**. The machine starts printing the Print Quality Check Sheet again and goes back to step **3**.

8 Setting the LCD contrast

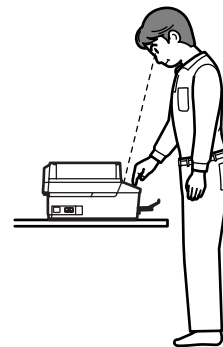
You can adjust the LCD contrast for a sharper and more vivid display. If you are having difficulty seeing the LCD from your position, we recommend changing the contrast setting for improved viewing.

- 1** Press **Menu, 1, 7**.
- 2** Press **▲** or **▼** to choose **Dark** or **Light**.
- 3** Press **OK**.
- 4** Press **Stop/Exit**.

```
Select ▲▼ & OK  
Light
```



```
LCD Contrast  
Dark
```



9 Setting the date and time

The machine displays the date and time, and if you set up the station ID it will add it to each fax you send.

1 Press **Menu**, **0**, **2**.

2 Enter the last two digits of the year on the dial pad, and then press **OK**.

```
Date/Time
Year:2007
```

(e.g. Enter **07** for 2007.)

3 Enter the two digits for the month on the dial pad, and then press **OK**.

```
Date/Time
Month:03
```

(e.g. Enter **03** for March.)

4 Enter the two digits for the day on the dial pad, and then press **OK**.

```
Date/Time
Day:01
```

(e.g. Enter **01** for the first day of the month.)

5 Enter the time in 24-hour format on the dial pad, and then press **OK**.

```
Date/Time
Time:15:25
```

(e.g. Enter **15**, **25** for 3:25 P.M.)

6 Press **Stop/Exit**.



To confirm the current date and time, print out the Users Settings Report. (See Printing Reports in Chapter 10 of the User's Guide.)

10 Setting your station ID

You should store your name and fax number to be printed on all fax pages that you send.

1 Press **Menu**, **0**, **3**.

2 Enter your fax number (up to 20 digits) on the dial pad, and then press **OK**. To enter a "+" for international codes, press *****. For example, to enter the UK dialling code "+44", press *****, **4**, **4** and then the rest of your number.

```
Station ID
Fax:+44XXXXXXXXXX
```

3 Enter your name (up to 20 characters) using the dial pad, and then press **OK**.

```
Station ID
Name:_
```



Note

- See the following chart for entering your name.
- If you need to enter a character that is on the same key as the last character, press **▶** to move the cursor to the right.
- If you entered a letter incorrectly and want to change it, press **◀** or **▶** to move the cursor under the incorrect character, press **Clear/Back**.

Press key	One time	Two times	Three times	Four times
2	A	B	C	2
3	D	E	F	3
4	G	H	I	4
5	J	K	L	5
6	M	N	O	6
7	P	Q	R	S
8	T	U	V	8
9	W	X	Y	Z

4 Press **Stop/Exit**.



Note

If you want to repeat input, press **Stop/Exit** to start from step **1**.



For details, see Entering Text in Appendix C of the User's Guide.

11 Setting tone or pulse dialling mode

Your machine comes set for a Tone dialling service. If you have a Pulse dialling service (rotary), you need to change the dialling mode.

- 1 Press **Menu**, **0**, **4**.
- 2 Press **▲** or **▼** to choose **Pulse (or Tone)**. Press **OK**.
- 3 Press **Stop/Exit**.

12 Setting the phone line type

If you are connecting the machine to a line that features PBX or ISDN to send and receive faxes, it is also necessary to change the phone line type accordingly by completing the following steps.

- 1 Press **Menu**, **0**, **6**.
- 2 Press **▲** or **▼** to choose **PBX, ISDN (or Normal)**. Press **OK**.
- 3 Press **Stop/Exit**.

PBX and TRANSFER

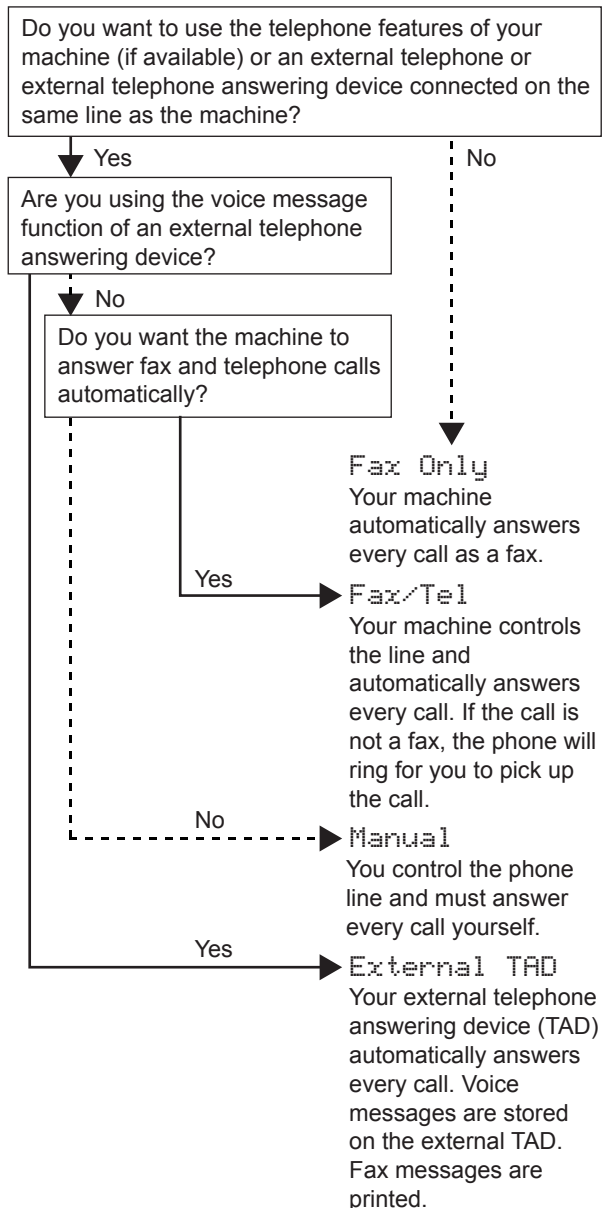
The machine is initially set to Normal, which lets the machine connect to a standard PSTN (Public Switched Telephone Network) line. However, many offices use a central telephone system or Private Automatic Branch Exchange (PBX). Your machine can be connected to most types of PABX. The machine's recall feature supports timed break recall only (TBR). TBR will work with most PABX systems allowing you to gain access to an outside line or send calls to another extension. The feature works when the **Tel/R** key is pressed.

Note

You can program a **Tel/R** key press as part of a number stored in a **Speed-Dial** location. When programming the **Speed-Dial** number, press **Tel/R** first (the LCD shows '!'), then enter the telephone number. If you do this, you do not need to press **Tel/R** each time before you dial using a **Speed-Dial** location. (See *Storing numbers for easy dialling in the User's Guide*.)

13 Choosing a Receive Mode

There are four possible receive modes: **Fax Only**, **Fax/Tel**, **Manual** and **External TAD**.



- 1 Press **Menu**, **0**, **1**.
- 2 Press **▲** or **▼** to choose the mode. Press **OK**.
- 3 Press **Stop/Exit**.



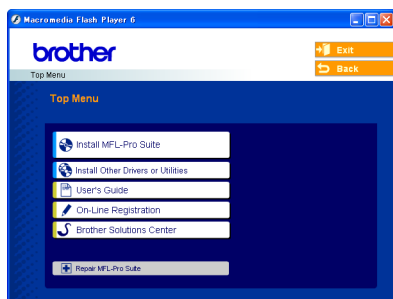
For details, see *Using receive modes in Chapter 6 of the User's Guide*.

Now go to

Go to *Supplied CD-ROM 'MFL-Pro Suite'* on the next page to install the drivers.

Supplied CD-ROM 'MFL-Pro Suite'

Windows®



Install MFL-Pro Suite

You can install the MFL-Pro Suite software and multifunction drivers.



Install Other Drivers or Utilities

You can install additional MFL-Pro Suite software utilities, install without PaperPort® SE, or install the printer driver only.



User's Guide

View the Software User's Guide and Network User's Guide in HTML format. The Software User's Guide and Network User's Guide include instructions for features available when connected to a computer. (eg. Printing, scanning and networking details)



On-Line Registration

You will be pointed to the Brother Product Registration Web page for quick registration of your machine.



Brother Solutions Center

You can access the Brother Solutions Center which is a Web site offering information about your Brother product including FAQs, User's Guides, driver updates and tips for using your machine.



Repair MFL-Pro Suite (USB only)

If an error occurred during the installation of the MFL-Pro Suite, use this selection to automatically repair and re-install the MFL-Pro Suite.

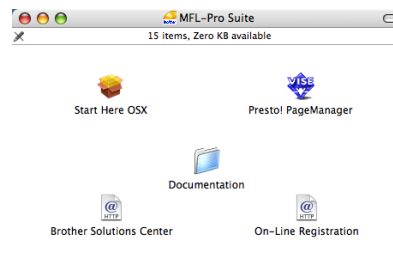


Note

MFL-Pro Suite includes the Printer Driver, Scanner Driver, Brother ControlCenter3, ScanSoft® PaperPort® SE with OCR and True Type® fonts.

PaperPort® SE with OCR is a document management application for viewing scanned documents.

Macintosh®



Start Here OSX

You can install the MFL-Pro Suite that includes the printer driver, scanner driver and the Brother ControlCenter2 for Mac OS® 10.2.4 or greater.



Presto! PageManager

You can also install Presto!® PageManager® to add OCR capability to the Brother ControlCenter2 and easily scan, share and organize photos and documents.



Documentation

View the Software User's Guide and Network User's Guide in HTML format. The Software User's Guide and Network User's Guide include instructions for features available when connected to a computer. (eg. Printing, scanning and networking details)



Brother Solutions Center

You can access the Brother Solutions Center which is a Web site offering information about your Brother product including FAQs, User's Guides, driver updates and tips for using your machine.



On-Line Registration

You will be pointed to the Brother Product Registration Web Page for quick registration of your machine.

STEP 2

Installing the Driver & Software

Follow the instructions on this page for your operating system and interface.
For the latest drivers and documentations and to find the best solution for your problem or question, access the Brother Solutions Center directly from the driver or visit <http://solutions.brother.com>.

Windows®



For USB Interface Users
(For Windows® 98/98SE/Me/2000 Professional/XP/XP Professional x64 Edition) 16



For Network Interface Users
(For Windows® 98/98SE/Me/2000 Professional/XP/XP Professional x64 Edition) 19

Macintosh®



For USB Interface Users
(For Mac OS® X 10.2.4 or greater) 23



For Network Interface Users
(For Mac OS® X 10.2.4 or greater) 25

For USB Interface Users

(For Windows® 98/98SE/Me/2000 Professional/XP/XP Professional x64 Edition)

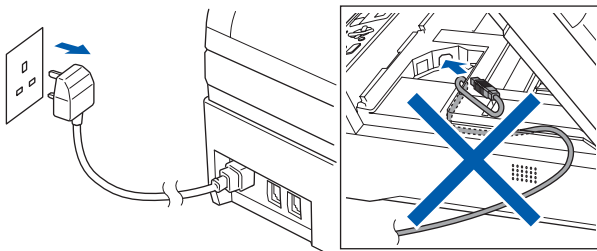
Important

Make sure that you have finished the instructions from Step 1 *Setting Up the Machine* on pages 4 through 13.

Note

- Please close any applications running before installing MFL-Pro Suite.
- Make sure there are no memory cards in the media drive of the machine.

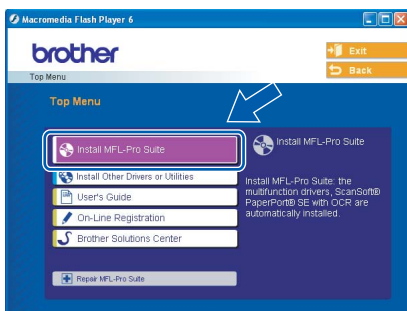
- 1 Disconnect the machine from the power socket and from your computer, if you already connected an interface cable.



- 2 Turn on your PC.
(For Windows® 2000 Professional/XP/XP Professional x64 Edition, you must be logged on with Administrator rights.)
- 3 Put the supplied CD-ROM into your CD-ROM drive. If the model name screen appears, choose your machine. If the language screen appears, choose your language.



- 4 The CD-ROM main menu will appear. Click **Install MFL-Pro Suite**.



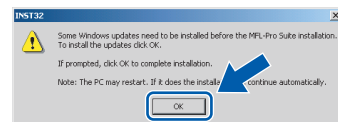
Note

- If this window does not appear, use Windows® Explorer to run the **setup.exe** program from the root folder of the Brother CD-ROM.
- If you are using Windows® 2000 Professional and have not installed service pack 3 (SP3) or greater:
To access the PhotoCapture Center™ features from your computer you may have to install a Windows® 2000 update first.

The Windows® 2000 update is included with the MFL-Pro Suite installer.

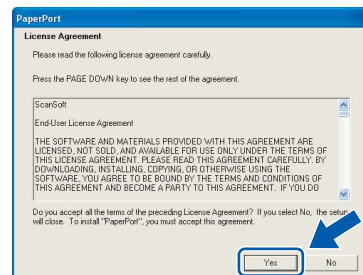
To install the update, follow the steps below:

- 1 Click **OK** to start installation of the Windows® updates.



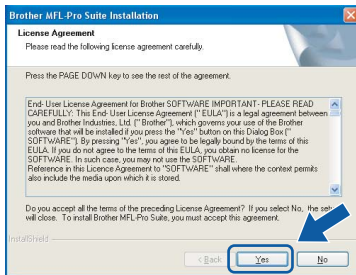
- 2 When instructed, click **OK** to restart your computer.
- 3 After the computer restarts, the installation of MFL-Pro Suite will automatically continue. If the installation does not continue automatically, open the main menu again by ejecting and then reinserting the CD-ROM disc or double-click the **setup.exe** program from the root folder, and continue from Step 4 to install MFL-Pro Suite.

- 5 After reading and accepting the ScanSoft® PaperPort® SE License Agreement, click **Yes**.

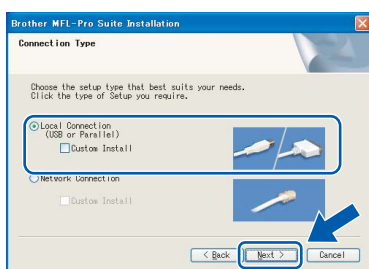


- 6 The installation of PaperPort® SE will automatically start and is followed by the installation of MFL-Pro Suite.

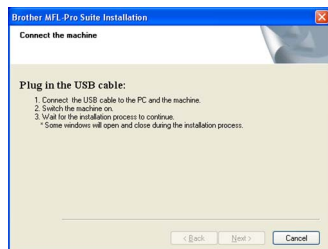
- 7** When the Brother MFL-Pro Suite Software License Agreement window appears, click **Yes** if you agree to the Software License Agreement.



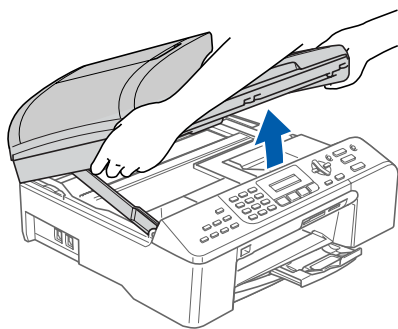
- 8** Choose **Local Connection**, and then click **Next**.

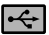


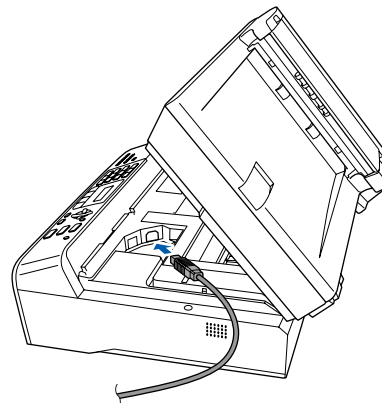
- 9** When this screen appears, go to the next step.



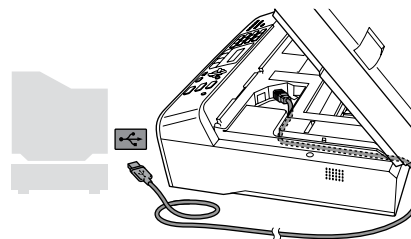
- 10** Lift the scanner cover until it locks securely into the open position.



- 11** Connect the USB cable to the USB socket marked with a  symbol. You will find the USB socket inside the machine on the right as shown below.



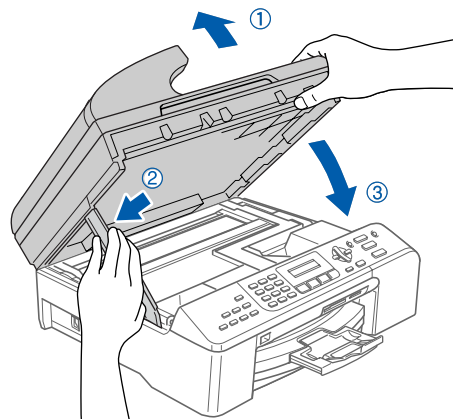
- 12** Carefully guide the USB cable into the trench as shown below, following the trench around and toward the back of the machine. Then, connect the cable to your computer.



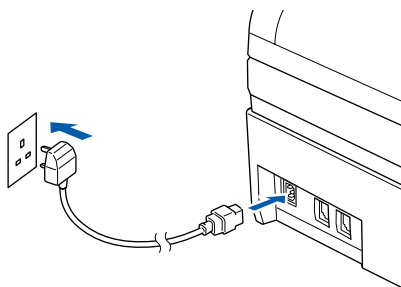
Improper Setup

- **DO NOT** connect the machine to a USB port on a keyboard or a non-powered USB hub. Brother recommends that you connect the machine directly to your computer.
- Make sure that the cable does not restrict the cover from closing, or an error may occur.

- 13** Lift the scanner cover to release the lock (①). Gently push the scanner cover support down (②) and close the scanner cover (③).



- 14** Turn on the machine by connecting the power cord.

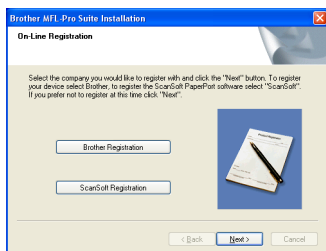


The installation of the Brother drivers will automatically start. The installation screens appear one after another. **Please wait, it will take a few seconds for all the screens to appear.**

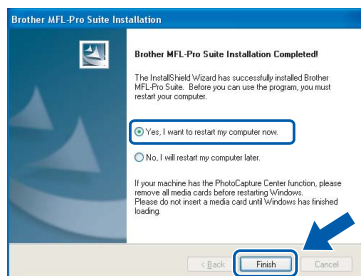
⊘ Improper Setup

DO NOT try to cancel any of the screens during this installation.

- 15** When the On-Line Registration screen is displayed, make your selection and follow the on-screen instructions.



- 16** Click **Finish** to restart your computer. (After restarting the computer, for Windows® 2000 Professional/XP/XP Professional x64 Edition, you must be logged on with Administrator rights.)



📝 Note

After restarting the computer, the Installation Diagnostics will run automatically. If the installation is unsuccessful, the installation results window will be shown. If the Diagnostics shows a failure, please follow the on-screen instructions or read the on-line help and FAQ's in **Start/All Programs (Programs)/Brother/MFC-XXXX**.



The MFL-Pro Suite has been installed and the installation is now complete.



Note

- MFL-Pro Suite includes the Printer Driver, Scanner Driver, Brother ControlCenter3, ScanSoft® PaperPort® SE with OCR and True Type® fonts. PaperPort® SE with OCR is a document management application for viewing scanned documents.
- Windows® XP Professional x64 Edition does not support the Brother ControlCenter3 Modern user interface (see the Software User's Guide located on the CD-ROM for details).

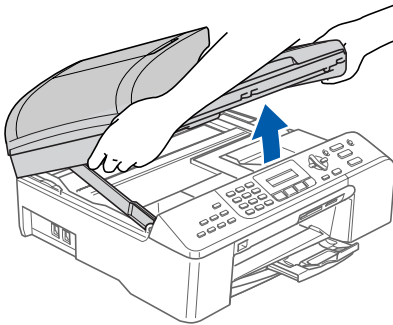
For Network Interface Users

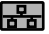
(For Windows® 98/98SE/Me/2000 Professional/XP/XP Professional x64 Edition)

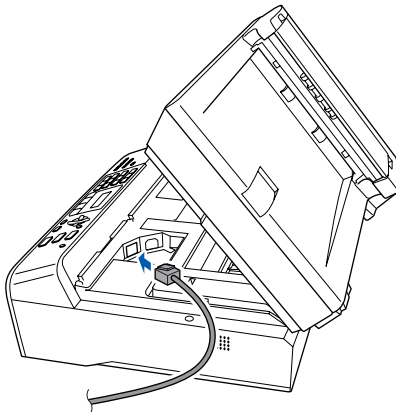
Important

Make sure that you have finished the instructions from Step 1 *Setting Up the Machine* on pages 4 through 13.

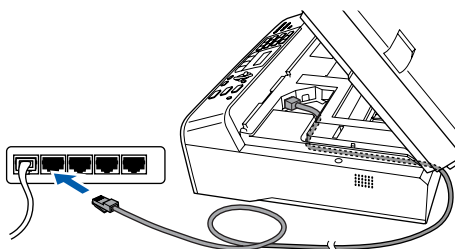
- 1 Disconnect the machine from the power socket.
- 2 Lift the scanner cover until it locks securely into the open position.



- 3 Connect the network cable to the LAN socket marked with a  symbol. You will find the LAN socket inside the machine on the left as shown below.



- 4 Carefully guide the network cable into the trench as shown below, following the trench around and toward the back of the machine. Then, connect the cable to your network.



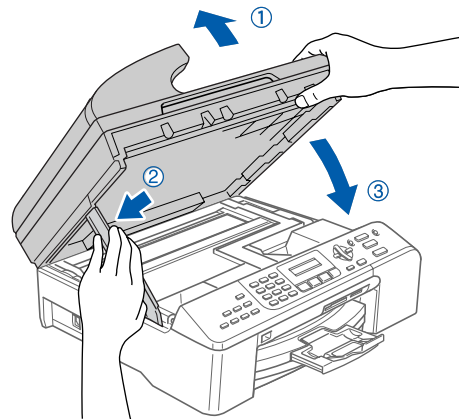
⊘ Improper Setup

Make sure that the cable does not restrict the cover from closing, or an error may occur.

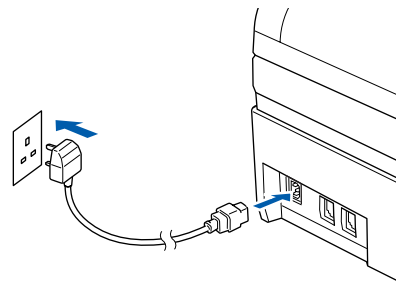
📝 Note

If both USB and LAN cable are being used, guide both cables through the trench with one on top of the other.

- 5 Lift the scanner cover to release the lock (①). Gently push the scanner cover support down (②) and close the scanner cover (③).



- 6 Turn on the machine by connecting the power cord.



- 7 Turn on your computer. (For Windows® 2000 Professional/XP/XP Professional x64 Edition, you must be logged on with Administrator rights.) Close any applications running before installing the MFL-Pro Suite.

📝 Note

Before installation, if you are using Personal Firewall software, disable it.

8 Put the supplied CD-ROM into your CD-ROM drive. If the model name screen appears, choose your machine. If the language screen appears, choose your language.



9 The CD-ROM main menu will appear. Click **Install MFL-Pro Suite**.



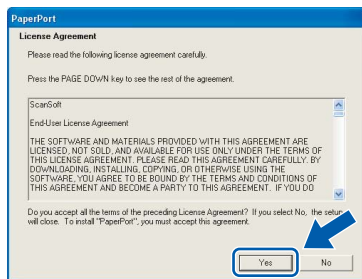
Note

- If this window does not appear, use Windows® Explorer to run the **setup.exe** program from the root folder of the Brother CD-ROM.
- If you see the following screen, click **OK** to install the Windows® updates. After the updates are installed your PC may restart. Then the installation will automatically continue.



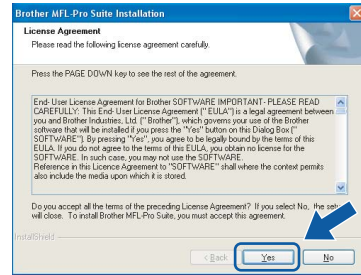
If the installation does not continue automatically, open the main menu again by ejecting then reinserting the CD-ROM disc or double-click the **setup.exe** program from the root folder, and continue from Step 9 to install MFL-Pro Suite.

10 After reading and accepting the ScanSoft® PaperPort® SE License Agreement, click **Yes**.

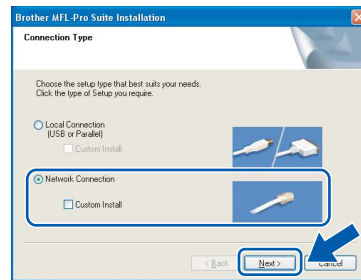


11 The installation of PaperPort® SE will automatically start and is followed by the installation of MFL-Pro Suite.

12 When the Brother MFL-Pro Suite Software License Agreement window appears, click **Yes** if you agree to the Software License Agreement.



13 Choose **Network Connection**, and then click **Next**.

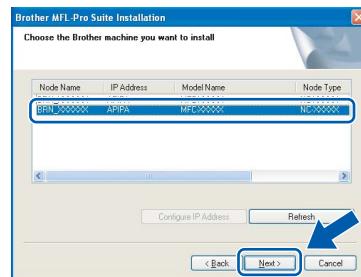


14 The installation of the Brother drivers will automatically start. The installation screens appear one after another. **Please wait, it will take a few seconds for all the screens to appear.**

Improper Setup

DO NOT try to cancel any of the screens during this installation.

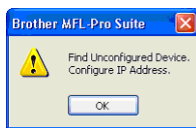
15 If the machine is configured for your network, choose the machine from the list, and then click **Next**.



Note

This window will not appear if there is only one machine connected on the network, it will be chosen automatically.

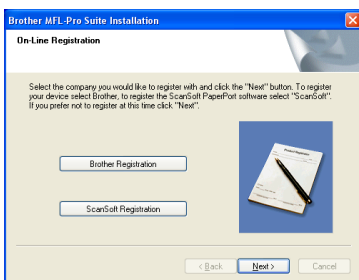
- 16** If the machine is not yet configured for use on your network, the following screen appears.



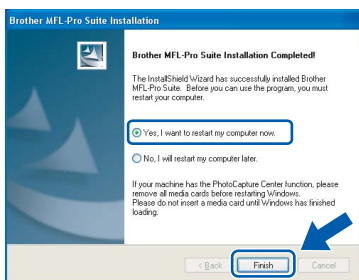
Click **OK**.

The **Configure IP Address** window will appear. Enter an IP address for your machine that is suitable for your network by following the on-screen instructions.

- 17** When the Brother and ScanSoft On-Line Registration screen is displayed, make your selection and follow the on-screen instructions.



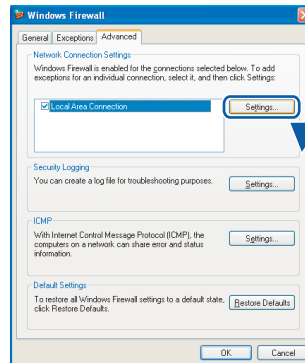
- 18** Click **Finish** to restart your computer. (For Windows® 2000 Professional/XP/XP Professional x64 Edition, you must be logged on with Administrator rights.)



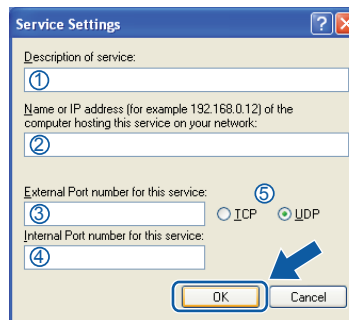
Note

- After restarting the computer, the *Installation Diagnostics* will run automatically. If the installation is unsuccessful, the installation results window will be shown. If the Diagnostics shows a failure, please follow the on-screen instructions or read the on-line help and FAQ's in **Start/All Programs (Programs)/Brother/MFC-XXXX**.
- Once you are sure that you can print after the installation, restart your Firewall software.
- Firewall setting on your PC may reject the necessary network connection for Network Scanning and PC-Fax. Follow the instructions below to configure your Windows Firewall. If you are using a personal Firewall software, see the User's Guide for your software or contact the software manufacturer.

- **For Windows® XP SP2 users:**
 - 1 Click the **Start** button, **Control Panel** and then **Windows Firewall**. Make sure that Windows Firewall on the **General** tab is set to **On**.
 - 2 Click the **Advanced** tab and **Settings...** button.



- 3 Click the **Add** button.
- 4 To add port 54925 for network scanning, enter the information below:
 1. (Any description)
 2. Localhost
 3. 54925
 4. 54925
 5. Select **UDP**
 Then, click **OK**



- 5 Click the **Add** button.
- 6 To add port 54926 for Network PC-Fax, enter the information below:
 1. (Any description)
 2. Localhost
 3. 54926
 4. 54926
 5. Select **UDP**
 Then, click **OK**
- 7 Click the **Add** button.
- 8 To add port 137 for both network scanning and Network PC-Fax receiving, enter the information below:
 1. (Any description)
 2. Localhost
 3. 137
 4. 137
 5. Select **UDP**
 Then, click **OK**
- 9 Make sure if the new setting is added and is checked, and then click **OK**.



The MFL-Pro Suite has been installed and the installation is now complete.



Note

- MFL-Pro Suite includes the Network Printer Driver, Network Scanner Driver, Brother ControlCenter3, ScanSoft® PaperPort® SE with OCR and True Type® fonts. PaperPort® SE is a document management application for viewing scanned documents.
 - Windows® XP Professional x64 Edition does not support the Brother ControlCenter3 Modern user interface (see the Software User's Guide located on the CD-ROM for details).
-

For USB Interface Users (For Mac OS® X 10.2.4 or greater)

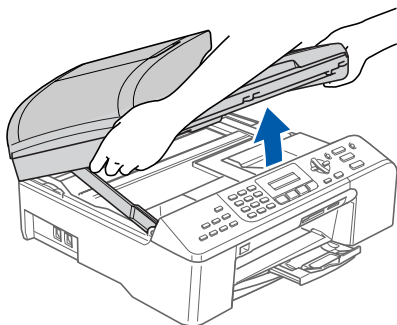
Important

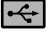
Make sure that you have finished the instructions from Step 1 *Setting Up the Machine* on pages 4 through 13.

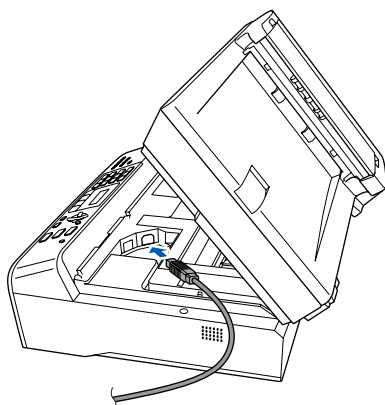
Note

For Mac OS® X 10.2.0 to 10.2.3 users, upgrade to Mac OS® X 10.2.4 or greater. (For the latest information for Mac OS® X, visit <http://solutions.brother.com>)

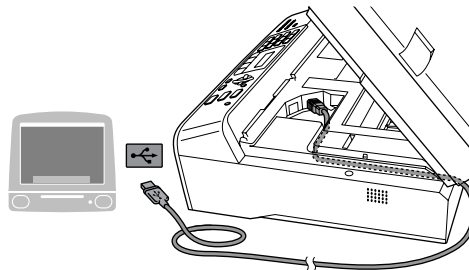
- 1 Lift the scanner cover until it locks securely into the open position.



- 2 Connect the USB cable to the USB socket marked with a  symbol. You will find the USB socket inside the machine on the right as shown below.



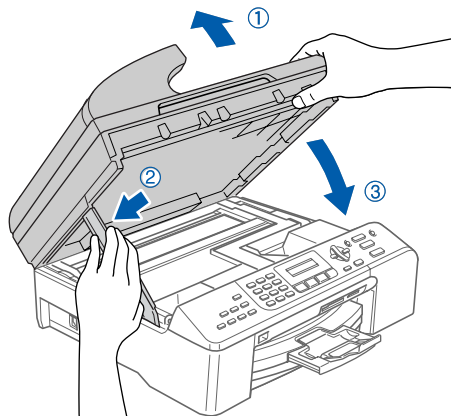
- 3 Carefully guide the USB cable into the trench as shown below, following the trench around and toward the back of the machine. Then, connect the cable to your computer.



Improper Setup

- DO NOT connect the machine to a USB port on a keyboard or a non-powered USB hub. Brother recommends that you connect the machine directly to your computer.
- Make sure that the cable does not restrict the cover from closing, or an error may occur.

- 4 Lift the scanner cover to release the lock (①). Gently push the scanner cover support down (②) and close the scanner cover (③).



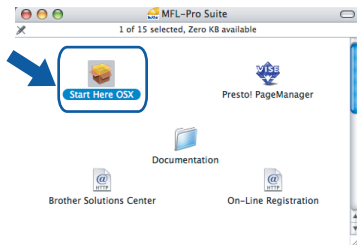
Note

Make sure that the machine is turned on by connecting the power cord.

- 5 Turn on your Macintosh®.
- 6 Put the supplied CD-ROM into your CD-ROM drive.



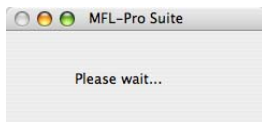
7 Double-click the **Start Here OSX** icon to install. Follow the on-screen instructions.



Note

Please wait, it will take a few seconds for the software to install. After the installation, click **Restart** to finish installing the software.

8 The Brother software will search for the Brother device. During this time the following screen will appear.

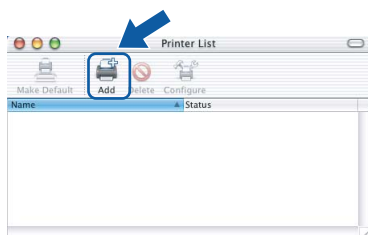


9 When this screen appears, click **OK**.

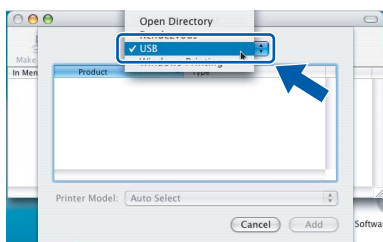


OK! For Mac OS® X 10.3.x or greater users: The MFL-Pro Suite, Brother printer driver, scanner driver and Brother ControlCenter2 have been installed and the installation is now complete. Go to step 14.

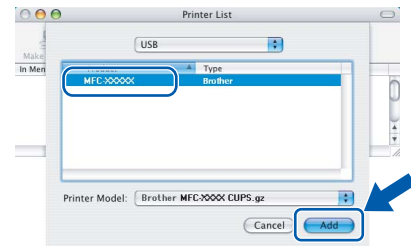
10 For Mac OS® X 10.2.4 to 10.2.8 users: Click **Add**.



11 Choose **USB**.



12 Choose **MFC-XXXX** (where XXXX is your model name), and then click **Add**.

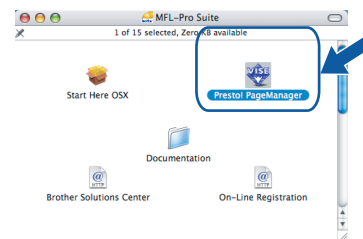


13 Click **Print Center**, then **Quit Print Center**.



OK! The MFL-Pro Suite, Brother printer driver, scanner driver and Brother ControlCenter2 have been installed and the installation is now complete.

14 To install Presto!®PageManager®, click the **Presto! PageManager** icon and follow the on-screen instructions.



Note

When Presto!®PageManager® is installed OCR capability is added to the Brother ControlCenter2. You can easily scan, share and organize photos and documents using Presto!® PageManager®.

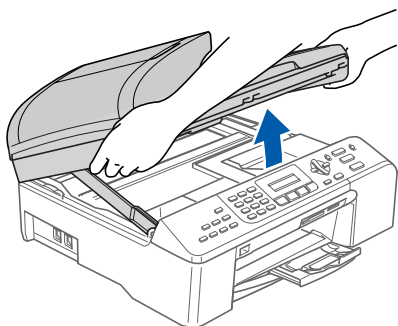
OK! Presto!® PageManager® has been installed and the installation is now complete.


For Network Interface Users (For Mac OS® X 10.2.4 or greater)

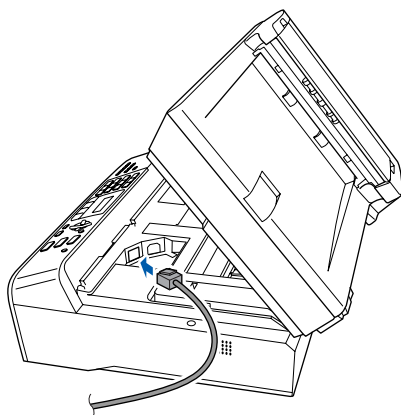
Important

Make sure that you have finished the instructions from Step 1 *Setting Up the Machine* on pages 4 through 13.

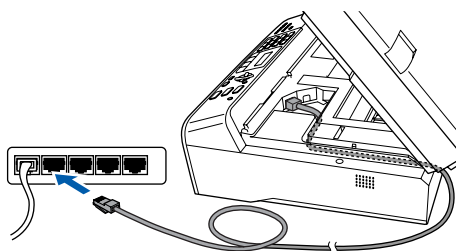
- 1 Lift the scanner cover until it locks securely into the open position.



- 2 Connect the network cable to the LAN socket marked with a  symbol. You will find the LAN socket inside the machine on the left as shown below.



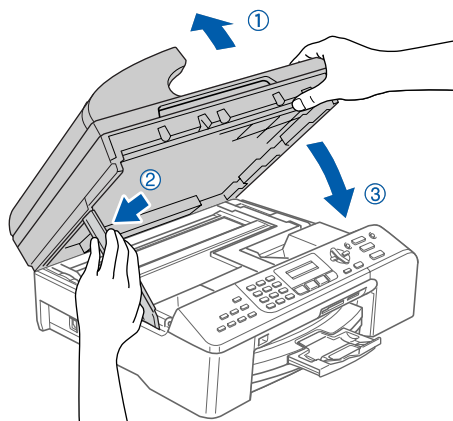
- 3 Carefully guide the network cable to the trench as shown below, following the trench around and toward the back of the machine. Then, connect the cable to your network.



Note

If both USB and LAN cable are being used, guide both cables through the trench with one on top of the other.

- 4 Lift the scanner cover to release the lock (①). Gently push the scanner cover support down (②) and close the scanner cover (③).



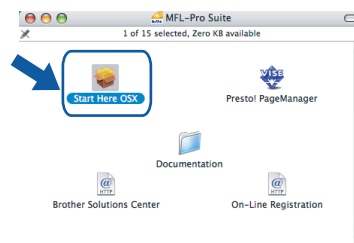
Note

Make sure that the machine is turned on by connecting the power cord.

- 5 Turn on your Macintosh®.
- 6 Put the supplied CD-ROM into your CD-ROM drive.



- 7 Double-click the **Start Here OSX** icon to install. Follow the on-screen instructions

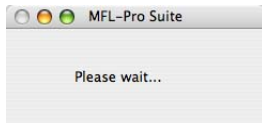


Please wait, it will take a few seconds for the software to install. After the installation, click **Restart** to finish installing the software.

⊘ Improper Setup

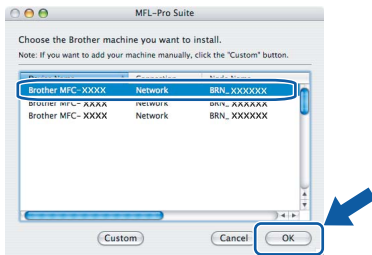
Make sure that the cable does not restrict the cover from closing, or an error may occur.

- 8** The Brother software will search for the Brother device. During this time the following screen will appear.



Note

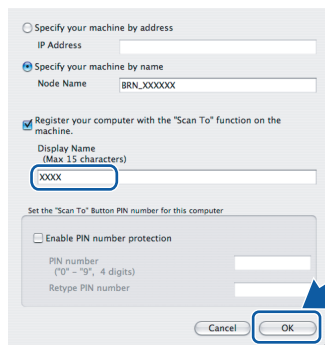
- If the machine is configured for your network, choose the machine from the list, and then click **OK**. This window will not appear if there is only one machine connected on the network, it will be chosen automatically. Go to step 9.



- If this screen appears click **OK**.

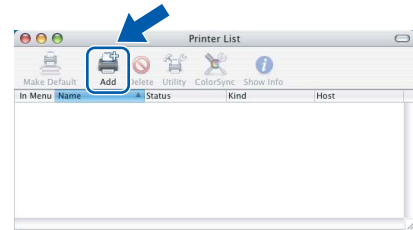


- Enter a name for your Macintosh® in **Display Name** up to 15 characters long and click **OK**. Go to step 9.



- If you want to use the machine's Scan key to scan over the network you must check the **Register your computer with the "Scan To" function on the machine**.
- The name you enter will appear on the machine's LCD when you press the **Scan** key and choose a scan option. (For more information, see Network Scanning in the Software User's Guide on the CD-ROM.)

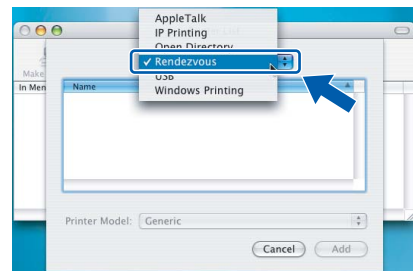
- 9** Click **Add**.



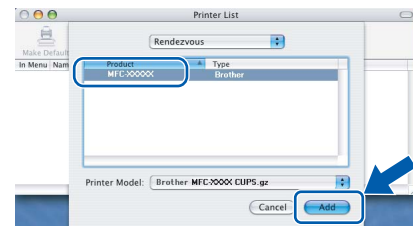
Note

For Mac OS X 10.4 users, go to step 12.

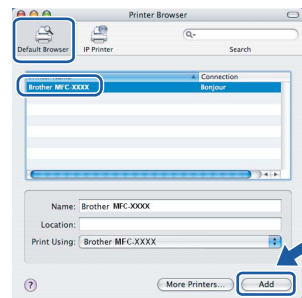
- 10** For Mac OS® X 10.2.4 to 10.3.x users: Make the selection shown below.



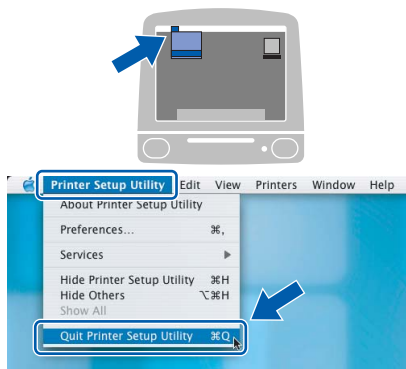
- 11** Choose **MFC-XXXX** (where XXXX is your model name), and then click **Add**. Go to step 13.



- 12** For Mac OS® X 10.4 users: Choose **MFC-XXXX** (where XXXX is your model name), and then click **Add**.



- 13** Click **Printer Setup Utility**, then **Quit Printer Setup Utility**.



Note

For Mac OS® X 10.2.x users, click **Print Center**, then **Quit Print Center**.

- OK!** The **MFL-Pro Suite**, **Brother printer driver**, **scanner driver** and **Brother ControlCenter2** have been installed and the installation is now complete.

- 14** To install **Presto!®PageManager®**, click the **Presto! PageManager** icon and follow the on-screen instructions.



Note

When **Presto!®PageManager®** is installed **OCR capability** is added to the **Brother ControlCenter2**. You can easily scan, share and organize photos and documents using **Presto!® PageManager®**.

- OK!** **Presto!® PageManager®** has been installed and the installation is now complete.

BRAdmin Professional configuration utility (For Windows® users)

The BRAdmin Professional utility for Windows® is designed to manage your Brother network connected devices such as network-ready Multifunction devices and /or network-ready printers in a Local Area Network (LAN) environment. For more information on BRAdmin Professional, visit us at <http://solutions.brother.com>.

Installing the BRAdmin Professional configuration utility

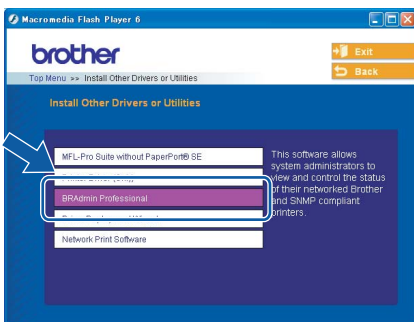
- 1 Put the supplied CD-ROM into your CD-ROM drive. The opening screen will appear automatically. Follow the on-screen instructions.



- 2 Click **Install Other Drivers or Utilities** on the menu screen.

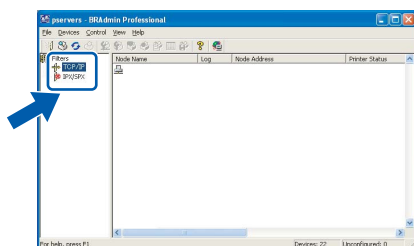


- 3 Click **BRAdmin Professional** and follow the on-screen instructions.

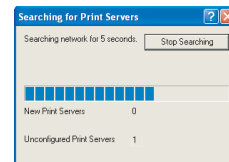
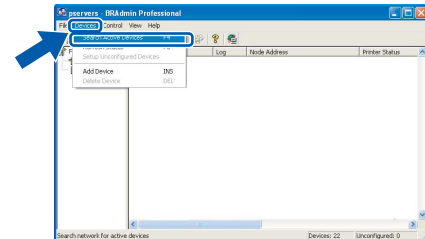


Setting your IP address, Subnet Mask and Gateway using BRAdmin Professional

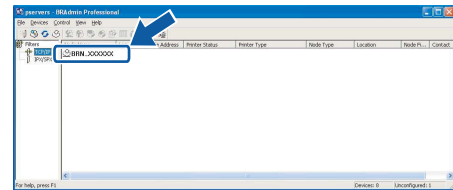
- 1 Start BRAdmin Professional, and choose **TCP/IP**.



- 2 Click **Devices**, then **Search Active Devices**. BRAdmin searches for new devices automatically.



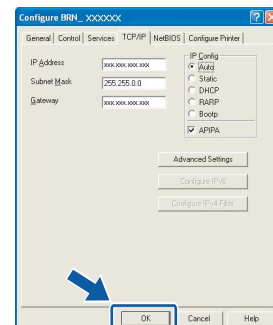
- 3 Double-click the new device.



Note

The default password for the print server is "access". You can use BRAdmin Professional or a web browser to change this password.

- 4 Enter the **IP Address, Subnet Mask and Gateway**, and then click **OK**.



- 5 The address information will be saved to the machine.



Note

You can use the BRAdmin Professional utility to set a password. (See the Network User's Guide on the CD-ROM)

BRAdmin Light configuration utility (For Mac OS® X users)

The Brother BRAdmin Light software is a Java™ application that is designed for the Apple Mac OS® X environment. It supports some of the features of the Windows BRAdmin Professional software. For example, using the BRAdmin Light software, you can change some network settings on Brother's network ready printers and multifunction devices. The BRAdmin Light software will be installed automatically when you install the MFL-Pro Suite. Please refer to installing the driver and software in this Quick Setup Guide if you have not yet installed the MFL-Pro Suite. For more information on BRAdmin Light, visit us at <http://solutions.brother.com>.

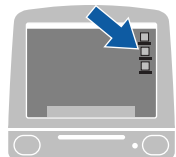
Setting your IP address, Subnet Mask and Gateway using BRAdmin Light



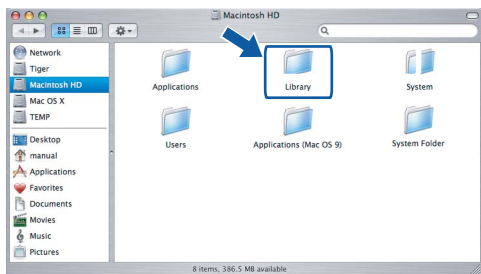
Note

- If you have a DHCP/BOOTP/RARP server in your network, you don't have to do the following operation. The print server will automatically obtain its own IP address. Make sure that version 1.4.1_07 or later of Java™ client software is installed on your computer.
- The default password for the print server is "access". You can use BRAdmin Light to change this password.

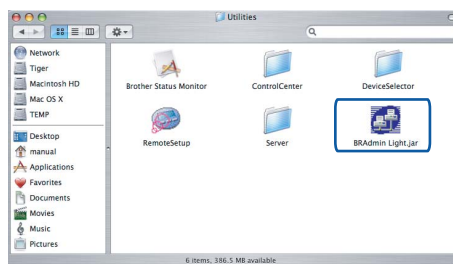
- 1 Double-click the **Macintosh HD** icon on your desktop.



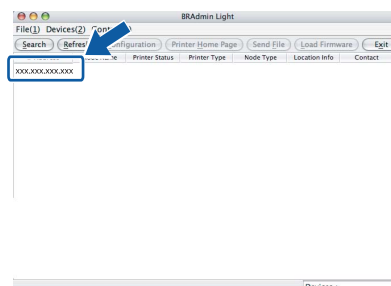
- 2 Choose **Library, Printers, Brother** and then **Utilities**.



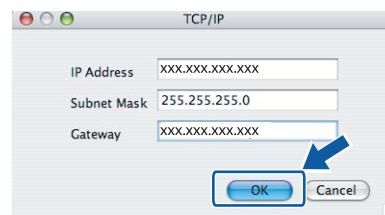
- 3 Double-click the **BRAdmin Light.jar** file. Run the BRAdmin Light software. BRAdmin Light searches for new devices automatically.



- 4 Double-click the new device.



- 5 Enter the **IP Address, Subnet Mask and Gateway**, and then click **OK**.

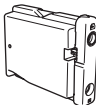
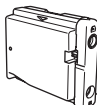
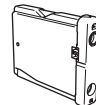
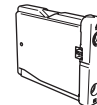
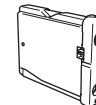


- 6 The address information will be saved to the machine.

Replacement consumables

When the time comes to replace ink cartridges, an error message will be indicated on the LCD. For more information about the ink cartridges for your machine, visit <http://solutions.brother.com> or contact your local Brother re-seller.

Ink cartridge

Black (Standard)	Black (High Yield)	Yellow	Cyan	Magenta
LC1000BK	LC1000HY-BK	LC1000Y	LC1000C	LC1000M
				

Trademarks

The Brother logo is a registered trademark of Brother Industries, Ltd.

Brother is a registered trademark of Brother Industries, Ltd.

Multi-Function Link is a registered trademark of Brother International Corporation.

Windows and Microsoft are registered trademarks of Microsoft in the U.S. and other countries.

Macintosh and True Type are registered trademarks of Apple Computer, Inc.

PaperPort is a registered trademark of ScanSoft, Inc.

Presto! PageManager is a registered trademark of NewSoft Technology Corporation.

PictBridge is a trademark.

Each company whose software title is mentioned in this manual has a Software License Agreement specific to its proprietary programs.

All other brand and product names mentioned in this manual are trademarks or registered trademarks of their respective companies.

Compilation and Publication

Under the supervision of Brother Industries Ltd., this manual has been compiled and published, covering the latest product descriptions and specifications.

The contents of this manual and the specifications of this product are subject to change without notice.

Brother reserves the right to make changes without notice in the specifications and materials contained herein and shall not be responsible for any damages (including consequential) caused by reliance on the materials presented, including but not limited to typographical and other errors relating to the publication.

This product is designed for use in a Professional Environment.

Copyright and License

©2006 Brother Industries Ltd.

This product includes software developed by the following vendors.

©1998-2006 TROY Group, Inc.

©1983-2006 PACIFIC SOFTWARES INC.

brother®

UK/IRE/GEN