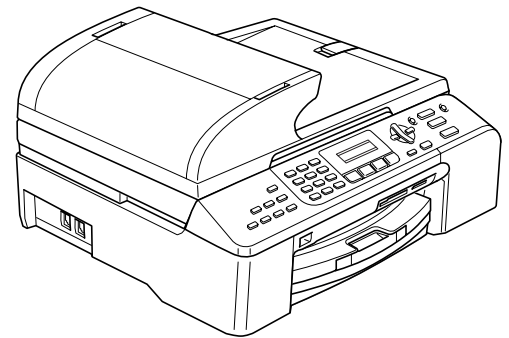


MFC-5460CN



Before you can use the machine, you must set up the hardware and install the software.
Please read this Quick Setup Guide for the correct setup procedure and installation instructions.

STEP 1

Setting Up the Machine

**STEP 2**

Installing the Driver & Software

Setup is Complete!

Keep this Quick Setup Guide, the User's Guide and the supplied CD-ROM in a convenient place for quick and easy reference at all times.

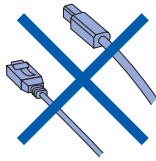


1 Removing the protective parts

- 1 Remove the protective tape and film covering the scanner glass.
- 2 Remove the foam bag containing the ink cartridges from on top of the paper tray.

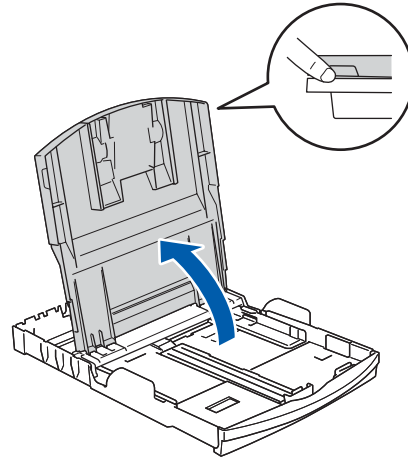
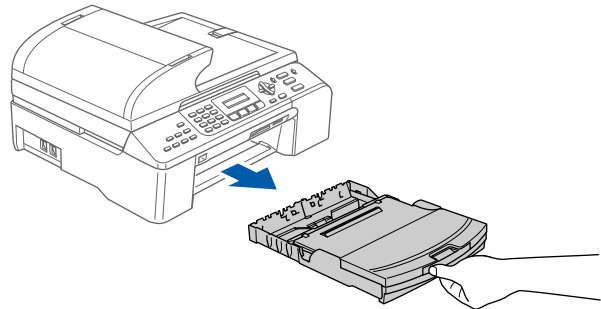
⊘ Improper Setup

DO NOT connect the interface cable.
Connecting the interface cable is done during the software installation process.

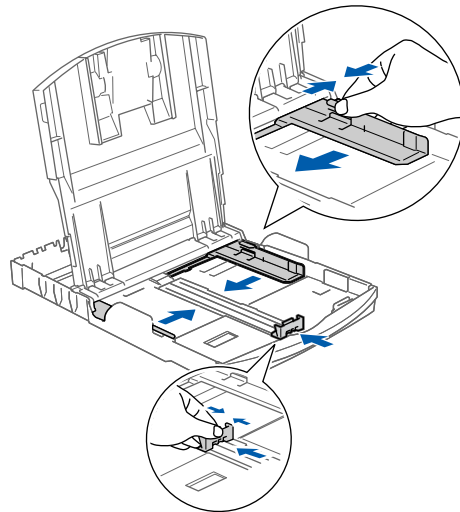


2 Loading paper

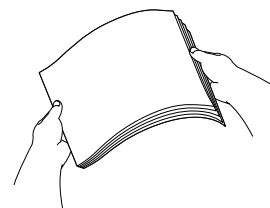
1



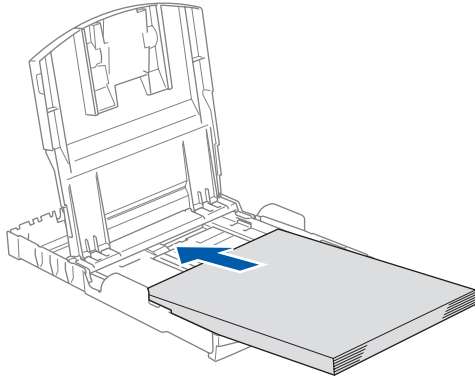
2



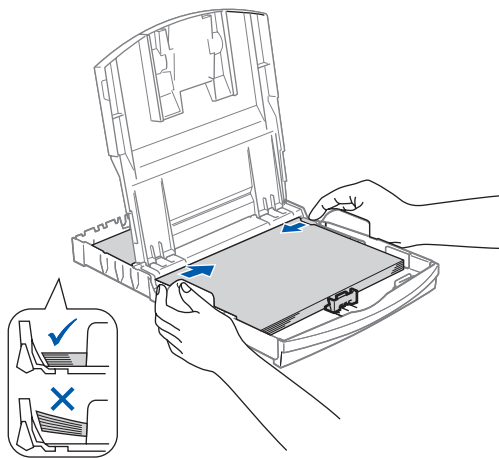
3



- 4** Check that the paper is flat in the tray.



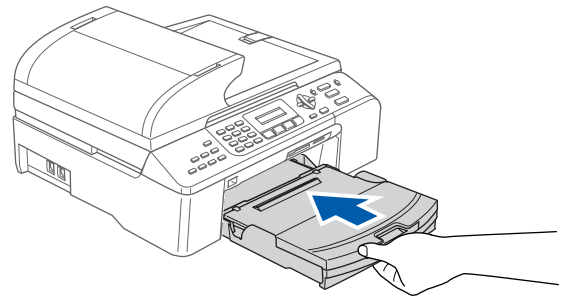
- 5** Gently adjust the paper side guides with both hands to fit the paper.



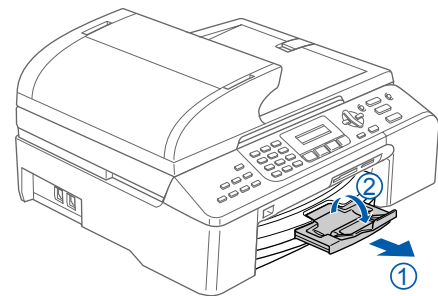
Note

Be careful that you do not push the paper in too far; it may lift at the back of the tray and cause feed problems.

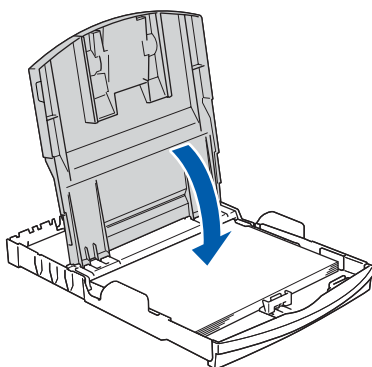
- 7** Slowly push the paper tray completely into the machine.



- 8** While holding the paper tray in place, pull out the paper support (1) until it clicks, and unfold the paper support flap (2).

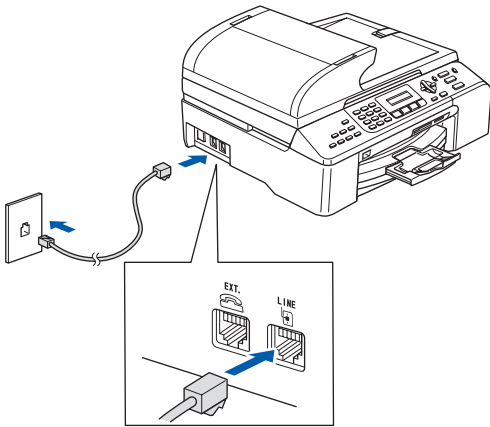


6



3 Connecting the phone line

1



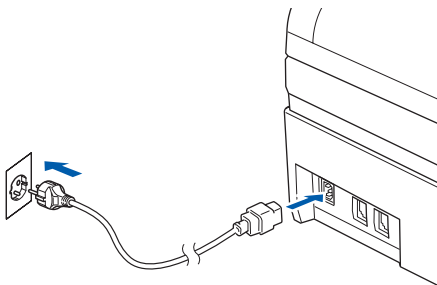
! Warning

- The machine must be fitted with an earthed plug.
- Since the machine is grounded through the power outlet, you can protect yourself from potentially hazardous electrical conditions on the telephone network by keeping the power cord connected to your machine when you connect it to a telephone line. Similarly, you can protect yourself when you want to move your machine by disconnecting the telephone line first and then the power cord.

4 Connecting the power cord

1

Connect the power cord.



5 Installing the ink cartridges

! Warning

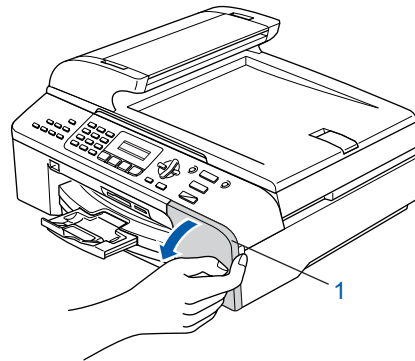
If ink gets in your eyes, wash them out with water at once, and if irritation occurs consult a doctor.

1

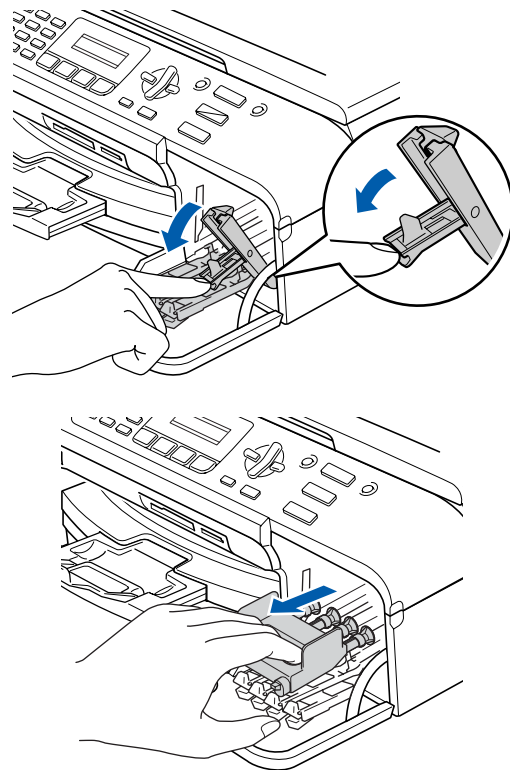
Make sure that the power is turned on.
The LCD shows:

```
No Cartridge  
Open ink cartridge...
```

2



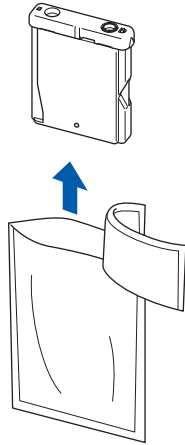
3



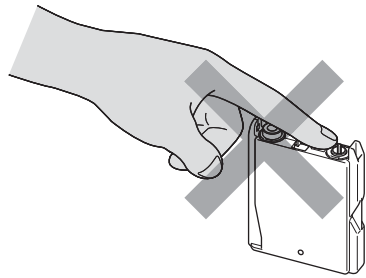
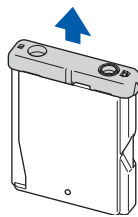
! Note

Do not throw away the yellow protective part. You will need it if you transport the machine.

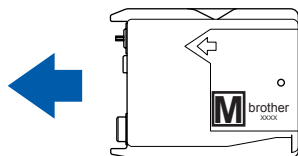
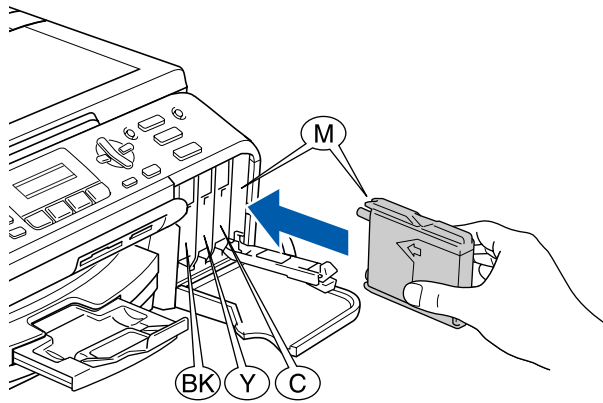
4



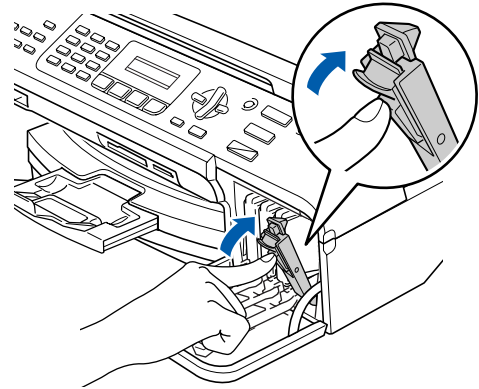
5



6



7



The LCD shows:

Preparing System
Approx 4 Minutes

Cleaning
Please Wait

6 Print quality check

1

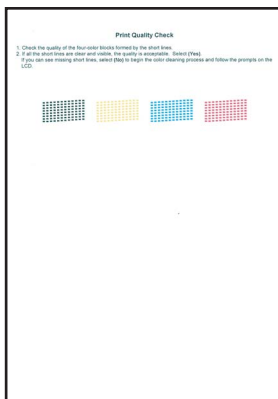
Set Paper and
Press Start

2

Make sure paper is loaded in the paper tray.
Press **Colour Start**.

3

Check the quality of the four colour blocks on
the sheet.
(black/yellow/cyan/magenta)



4

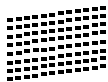
Is Quality OK?
1.Yes 2.No

5

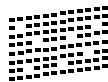
Do one of the following:

- If all lines are clear and visible, press **1 (Yes)** on the dial pad to finish the quality check.
- If you can see missing short lines, press **2 (No)** on the dial pad and go to step **6**.

OK



Poor



6

The LCD asks you if the print quality is OK for black and colour. Press **1 (Yes)** or **2 (No)** on the dial pad.

Black OK?
1.Yes 2.No

Color OK?
1.Yes 2.No

After pressing **1 (Yes)** or **2 (No)** for both black and colour, the LCD shows:

Start Cleaning?
1.Yes 2.No

7

Press **1 (Yes)**, the machine will then start cleaning the colours.

8

After cleaning is finished, press **Colour Start**. The machine starts printing the Print Quality Check Sheet again and goes back to step **3**.

7 Setting the LCD contrast

- 1** Press **Menu**.
- 2** Press **1**.
- 3** Press **7**.
- 4** Press **▲** or **▼** to choose *Dark* or *Light*.
- 5** Press **OK**.
- 6** Press **Stop/Exit**.

8 Setting the date and time

- 1** Press **Menu**.
- 2** Press **0**.
- 3** Press **2**.
- 4** Enter the last two digits of the year on the dial pad, and then press **OK**.



Date/Time
Year:2007

(e.g. Enter **07** for 2007.)

- 5** Enter the two digits for the month on the dial pad, and then press **OK**.



Date/Time
Month:03

(e.g. Enter **03** for March.)

- 6** Enter the two digits for the day on the dial pad, and then press **OK**.



Date/Time
Day:01

(e.g. Enter **01** for the first day of the month.)

- 7** Enter the time in 24-hour format on the dial pad, and then press **OK**.



Date/Time
Time:15:25

(e.g. Enter **15, 25** for 3:25 P.M.)

- 8** Press **Stop/Exit**.

9 Setting your station ID

You should store your name and fax number to be printed on all fax pages that you send.




- 1 Press **Menu**.
- 2 Press **0**.
- 3 Press **3**.
- 4 Enter your fax number (up to 20 digits) on the dial pad, and then press **OK**. To enter a "+" for international codes, press *****. For example, to enter the UK dialling code "+44", press *****, **4**, **4** and then the rest of your number.

```
Station ID
Fax: +44XXXXXXXX
```

- 5 Enter your name (up to 20 characters) using the dial pad, and then press **OK**.

```
Station ID
Name: _
```

Note

- See the following chart for entering your name.
- If you need to enter a character that is on the same key as the last character, press  to move the cursor to the right.
- If you entered a letter incorrectly and want to change it, press  or  to move the cursor under the incorrect character, press **Clear/Back**.

| Press key | One time | Two times | Three times | Four times |
|-----------|----------|-----------|-------------|------------|
| 2 | A | B | C | 2 |
| 3 | D | E | F | 3 |
| 4 | G | H | I | 4 |
| 5 | J | K | L | 5 |
| 6 | M | N | O | 6 |
| 7 | P | Q | R | S |
| 8 | T | U | V | 8 |
| 9 | W | X | Y | Z |

- 6 Press **Stop/Exit**.

Note

If you want to repeat input, press **Stop/Exit** to start from step 1.

10 Setting tone or pulse dialling mode

- 1 Press **Menu**.
- 2 Press **0**.
- 3 Press **4**.
- 4 Press **▲** or **▼** to choose **Pulse** (or **Tone**). Press **OK**.
- 5 Press **Stop/Exit**.

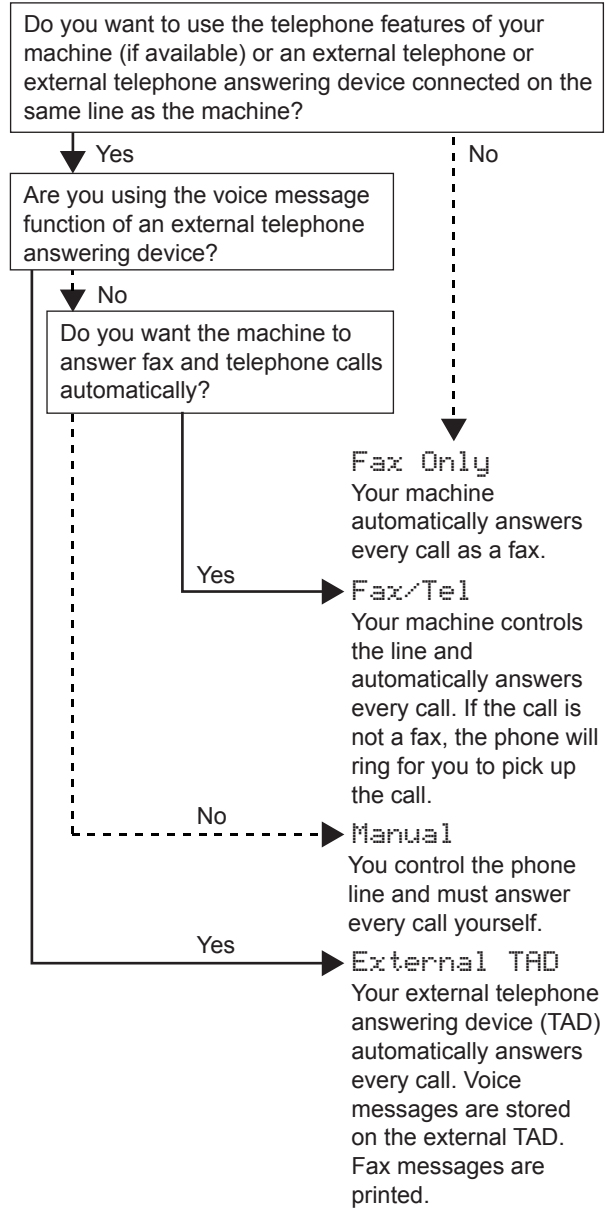


For details, see *Entering Text* in Appendix C of the User's Guide.

11 Setting the phone line type

- 1** Press **Menu**.
- 2** Press **0**.
- 3** Press **6**.
- 4** Press **▲** or **▼** to choose **PBX, ISDN** (or *Normal*).
Press **OK**.
- 5** Press **Stop/Exit**.

12 Choosing a Receive Mode



- 1** Press **Menu**.
- 2** Press **0**.
- 3** Press **1**.
- 4** Press **▲** or **▼** to choose the mode.
Press **OK**.
- 5** Press **Stop/Exit**.

Now go to

STEP 2

Installing the Driver & Software

Follow the instructions on this page for your operating system and interface.
For the latest drivers and documentations and to find the best solution for your problem or question, access the Brother Solutions Center directly from the driver or visit <http://solutions.brother.com>.

Windows®



For USB Interface Users
(For Windows® 98/98SE/Me/2000 Professional/XP/XP Professional x64 Edition).... 10



For Network Interface Users
(For Windows® 98/98SE/Me/2000 Professional/XP/XP Professional x64 Edition).... 12

Macintosh®



For USB Interface Users
(For Mac OS® X 10.2.4 or greater) 14



For Network Interface Users
(For Mac OS® X 10.2.4 or greater) 16

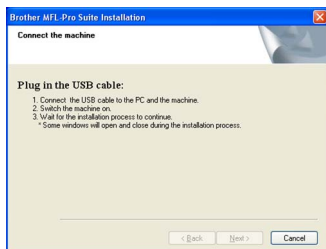
For USB Interface Users

(For Windows® 98/98SE/Me/2000 Professional/XP/XP Professional x64 Edition)

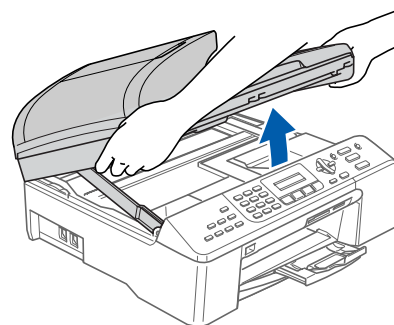
- 1 Disconnect the machine from the power socket and from your computer, if you already connected an interface cable.
- 2 Turn on your PC.
(For Windows® 2000 Professional/XP/XP Professional x64 Edition, you must be logged on with Administrator rights.)
- 3 Put the supplied CD-ROM into your CD-ROM drive. If the model name screen appears, choose your machine. If the language screen appears, choose your language.



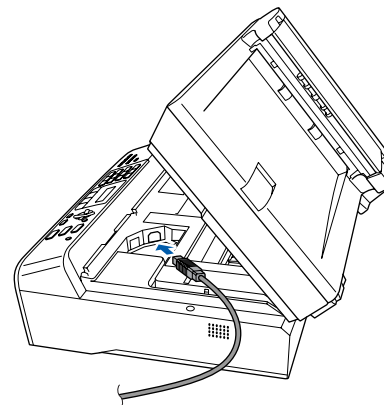
- 4 The CD-ROM main menu will appear. Click **Install MFL-Pro Suite**.
- 5 After reading and accepting the ScanSoft® PaperPort® SE License Agreement, click **Yes**.
- 6 The installation of PaperPort® SE will automatically start and is followed by the installation of MFL-Pro Suite.
- 7 When the Brother MFL-Pro Suite Software License Agreement window appears, click **Yes** if you agree to the Software License Agreement.
- 8 Choose **Local Connection**, and then click **Next**.
- 9 When this screen appears, go to the next step.



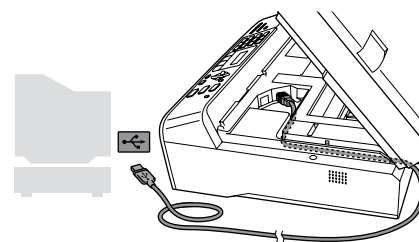
10



11



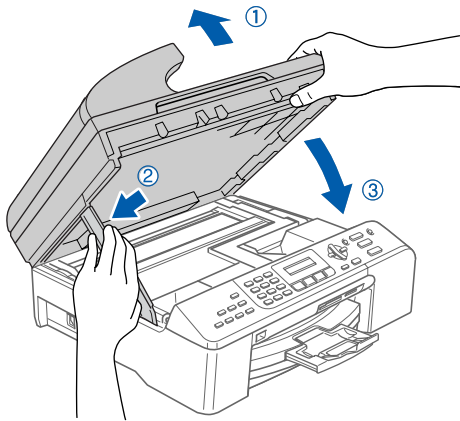
12



⊘ Improper Setup

Make sure that the cable does not restrict the cover from closing, or an error may occur.

13



14 Turn on the machine by connecting the power cord.
The installation of the Brother drivers will automatically start. The installation screens appear one after another. **Please wait, it will take a few seconds for all the screens to appear.**

15 When the On-Line Registration screen is displayed, make your selection and follow the on-screen instructions.

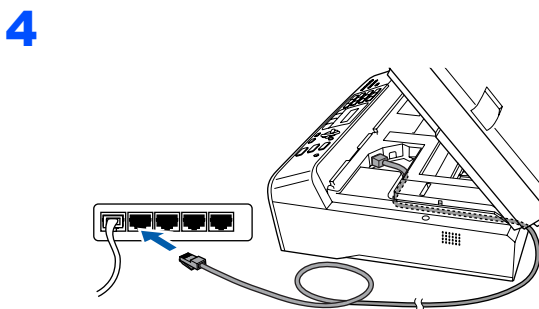
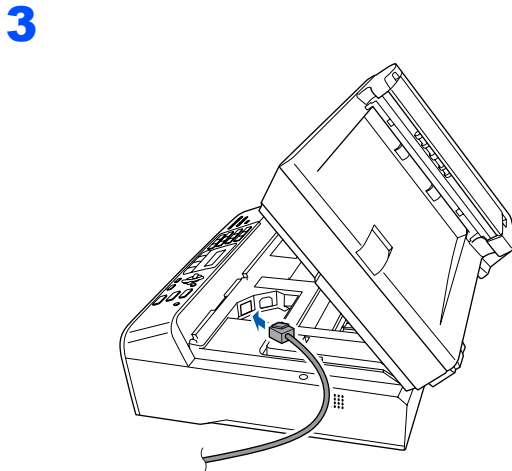
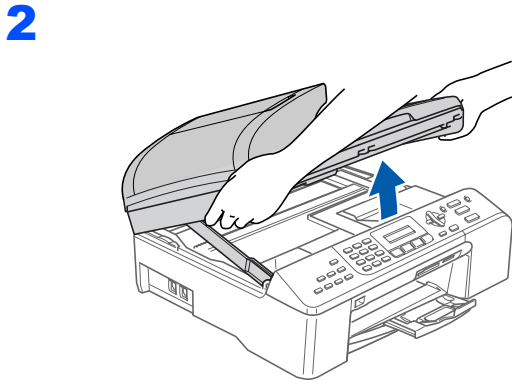
16 Click **Finish** to restart your computer.
(After restarting the computer, for Windows® 2000 Professional/XP/XP Professional x64 Edition, you must be logged on with Administrator rights.)



The MFL-Pro Suite has been installed and the installation is now complete.

For Network Interface Users (For Windows® 98/98SE/Me/2000 Professional/XP/XP Professional x64 Edition)

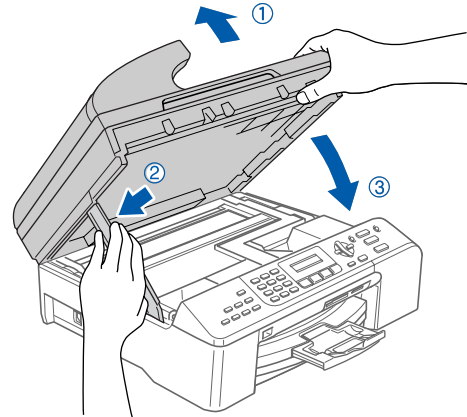
- 1** Disconnect the machine from the power socket.



⊘ Improper Setup

Make sure that the cable does not restrict the cover from closing, or an error may occur.

5



- 6** Turn on the machine by connecting the power cord.

- 7** Turn on your computer.
(For Windows® 2000 Professional/XP/XP Professional x64 Edition, you must be logged on with Administrator rights.)
Close any applications running before installing the MFL-Pro Suite.



Note

Before installation, if you are using Personal Firewall software, disable it.

- 8** Put the supplied CD-ROM into your CD-ROM drive. If the model name screen appears, choose your machine. If the language screen appears, choose your language.



- 9** The CD-ROM main menu will appear. Click **Install MFL-Pro Suite**.
- 10** After reading and accepting the ScanSoft® PaperPort® SE License Agreement, click **Yes**.
- 11** The installation of PaperPort® SE will automatically start and is followed by the installation of MFL-Pro Suite.

- 12** When the Brother MFL-Pro Suite Software License Agreement window appears, click **Yes** if you agree to the Software License Agreement.
- 13** Choose **Network** Connection, and then click **Next**.
- 14** The installation of the Brother drivers will automatically start. The installation screens appear one after another. **Please wait, it will take a few seconds for all the screens to appear.**
- 15** If the machine is configured for your network, choose the machine from the list, and then click **Next**.



Note

This window will not appear if there is only one machine connected on the network, it will be chosen automatically.

- 16** If the machine is not yet configured for use on your network, the screen prompts you to click **OK**, and then the **Configure IP Address** window will appear. Enter an IP address for your machine that is suitable for your network by following the on-screen instructions.
- 17** When the Brother and ScanSoft On-Line Registration screen is displayed, make your selection and follow the on-screen instructions.
- 18** Click **Finish** to restart your computer.
(For Windows® 2000 Professional/XP/XP Professional x64 Edition, you must be logged on with Administrator rights.)



The MFL-Pro Suite has been installed and the installation is now complete.

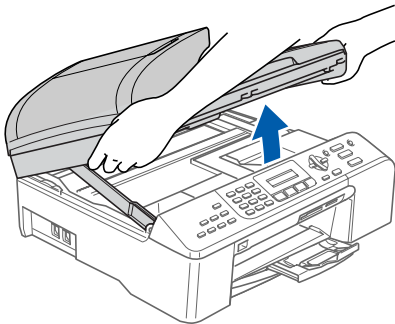
**For USB Interface Users
(For Mac OS® X 10.2.4 or greater)**



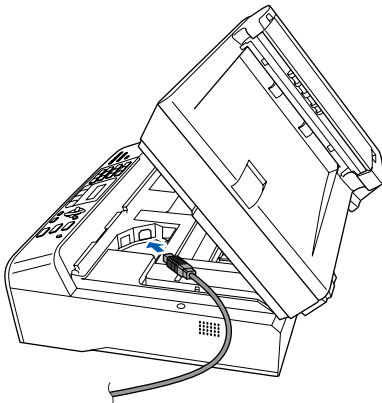
Note

For Mac OS® X 10.2.0 to 10.2.3 users, upgrade to Mac OS® X 10.2.4 or greater. (For the latest information for Mac OS® X, visit <http://solutions.brother.com>)

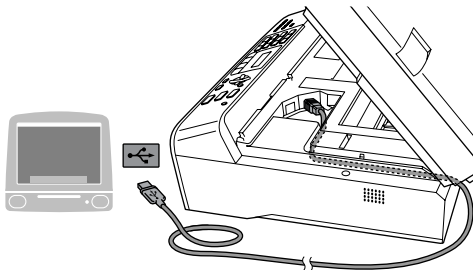
1



2



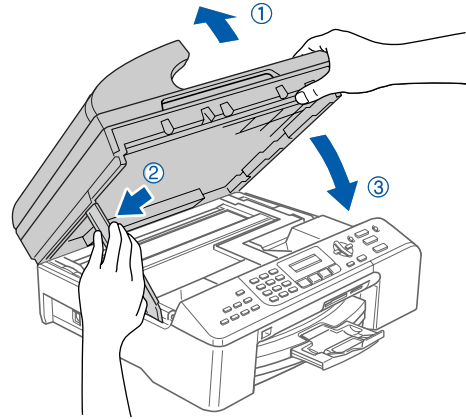
3



Improper Setup

Make sure that the cable does not restrict the cover from closing, or an error may occur.

4



Note

Make sure that the machine is turned on by connecting the power cord.

5

Turn on your Macintosh®.

6

Put the supplied CD-ROM into your CD-ROM drive.



7

Double-click the **Start Here OSX** icon to install. Follow the on-screen instructions.



Note

Please wait, it will take a few seconds for the software to install. After the installation, click **Restart** to finish installing the software.

8

The Brother software will search for the Brother device.

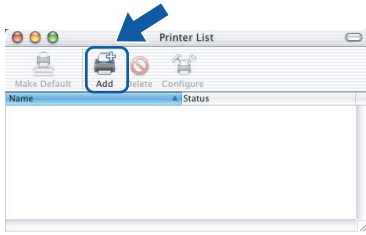
9

When this screen appears, click **OK**.



For Mac OS® X 10.3.x or greater users: The MFL-Pro Suite, Brother printer driver, scanner driver and Brother ControlCenter2 have been installed and the installation is now complete. Go to step **13**.

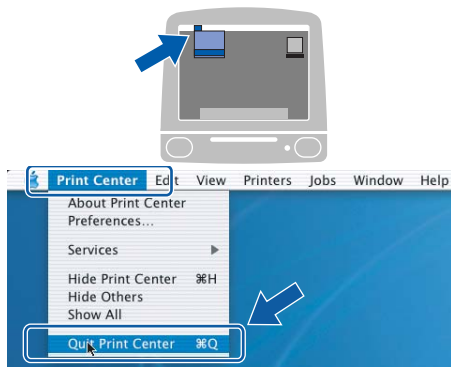
- 10** For Mac OS® X 10.2.4 to 10.2.8 users:
Click **Add**.



- 11** Choose **USB**.

- 12** Choose **MFC-XXXX** (where XXXX is your model name), and then click **Add**.

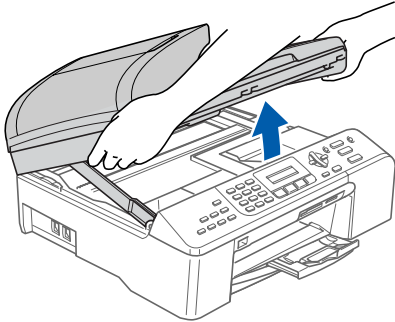
- 13** Click **Print Center**, then **Quit Print Center**.



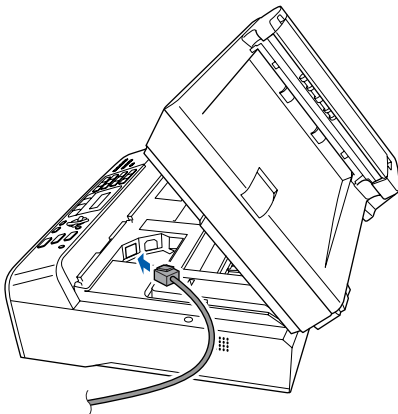
- OK!** The **MFL-Pro Suite**, **Brother printer driver**, **scanner driver** and **Brother ControlCenter2** have been installed and the installation is now complete.

For Network Interface Users (For Mac OS® X 10.2.4 or greater)

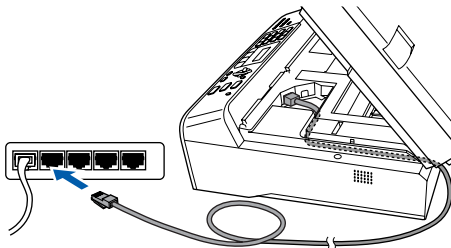
1



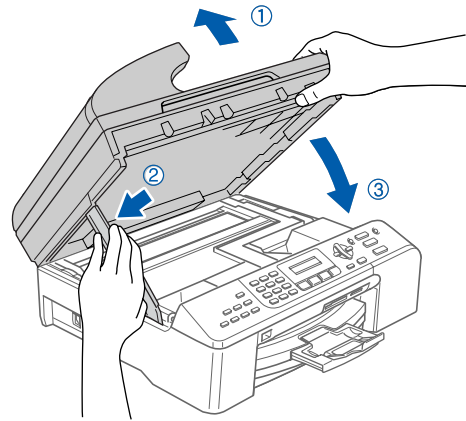
2



3



4

**Note**

Make sure that the machine is turned on by connecting the power cord.

5

Turn on your Macintosh®.

6

Put the supplied CD-ROM into your CD-ROM drive.



7

Double-click the **Start Here OSX** icon to install. Follow the on-screen instructions. Please wait, it will take a few seconds for the software to install. After the installation, click **Restart** to finish installing the software.

⊘ Improper Setup

Make sure that the cable does not restrict the cover from closing, or an error may occur.

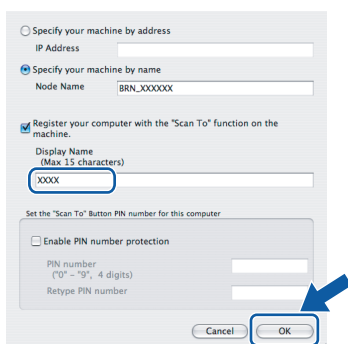
8 The Brother software will search for the Brother device.

Note

- If the machine is configured for your network, choose the machine from the list, and then click **OK**. This window will not appear if there is only one machine connected on the network, it will be chosen automatically. Go to step **9**.
- If this screen appears click **OK**.



- Enter a name for your Macintosh® in **Display Name** up to 15 characters long and click **OK**. Go to step **9**.



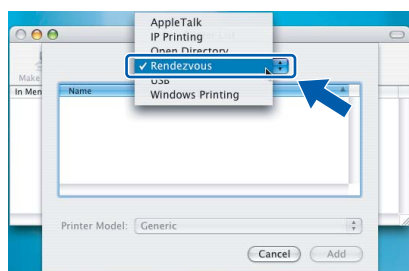
- If you want to use the machine's Scan key to scan over the network you must check the **Register your computer with the "Scan To" function on the machine.** box.
- The name you enter will appear on the machine's LCD when you press the **Scan** key and choose a scan option. (For more information, see *Network Scanning in the Software User's Guide on the CD-ROM.*)

9 Click **Add**.

Note

For Mac OS® X 10.4 users, go to step **12**.

10 For Mac OS® X 10.2.4 to 10.3.x users: Make the selection shown below.



11 Choose **MFC-XXXX** (where XXXX is your model name), and then click **Add**. Go to step **13**.

12 For Mac OS® X 10.4 users: Choose **MFC-XXXX** (where XXXX is your model name), and then click **Add**.

13 Click **Printer Setup Utility**, then **Quit Printer Setup Utility**.

Note

For Mac OS® X 10.2.x users, click **Print Center**, then **Quit Print Center**.



The MFL-Pro Suite, Brother printer driver, scanner driver and Brother ControlCenter2 have been installed and the installation is now complete.

Trademarks

The Brother logo is a registered trademark of Brother Industries, Ltd.

Brother is a registered trademark of Brother Industries, Ltd.

Multi-Function Link is a registered trademark of Brother International Corporation.

Windows and Microsoft are registered trademarks of Microsoft in the U.S. and other countries.

Macintosh and True Type are registered trademarks of Apple Computer, Inc.

PaperPort is a registered trademark of ScanSoft, Inc.

Presto! PageManager is a registered trademark of NewSoft Technology Corporation.

PictBridge is a trademark.

Each company whose software title is mentioned in this manual has a Software License Agreement specific to its proprietary programs.

All other brand and product names mentioned in this manual are trademarks or registered trademarks of their respective companies.

Compilation and Publication

Under the supervision of Brother Industries Ltd., this manual has been compiled and published, covering the latest product descriptions and specifications.

The contents of this manual and the specifications of this product are subject to change without notice.

Brother reserves the right to make changes without notice in the specifications and materials contained herein and shall not be responsible for any damages (including consequential) caused by reliance on the materials presented, including but not limited to typographical and other errors relating to the publication.

This product is designed for use in a Professional Environment.

Copyright and License

©2006 Brother Industries Ltd.

This product includes software developed by the following vendors.

©1998-2006 TROY Group, Inc.

©1983-2006 PACIFIC SOFTWARES INC.

brother®

EEU-ENG