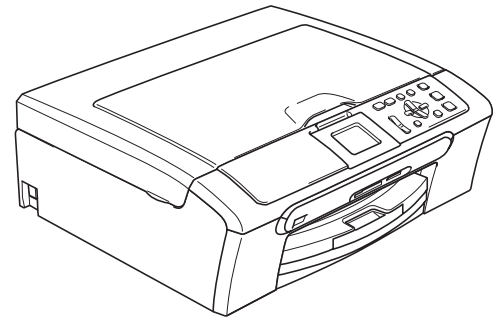


DCP-350C  
DCP-560CN



# Quick Setup Guide

---

Before you can use the machine, you must set up the hardware and install the software.  
Please read this Quick Setup Guide for the correct setup procedure and installation instructions.

## STEP 1

Setting Up the Machine








## STEP 2

Installing the Driver & Software

**Setup is Complete!**

Keep this Quick Setup Guide, the User's Guide and the supplied CD-ROM in a convenient place for quick and easy reference at all times.

## Symbols used in this guide

 Warning	 Caution	 Improper Setup
Warnings tell you what to do to prevent possible personal injury.	Cautions specify procedures you must follow or avoid to prevent possible damage to the machine or other objects.	Improper Setup icons alert you to devices and operations that are not compatible with the machine.
 Note	 User's Guide, Software User's Guide or Network User's Guide	
Notes tell you how you should respond to a situation that may arise or give tips about how the current operation works with other features.	Indicates reference to the User's Guide, Software User's Guide or Network User's Guide which is on the CD-ROM we have supplied.	

## Getting Started

---

Carton components .....	2
Control panel.....	3

## STEP 1 – Setting Up the Machine

---

Removing the protective parts .....	4
Loading paper .....	4
Connecting the power cord .....	6
Installing the ink cartridges.....	6
Print quality check .....	8
Setting the LCD contrast.....	9
Setting the date and time .....	10

## STEP 2 – Installing the Driver & Software

---

### Windows®

For USB Interface Users (For Windows® 2000 Professional/XP/XP Professional x64 Edition/Windows Vista™) .....	14
Installing FaceFilter Studio.....	17
For Network Interface Users (DCP-560CN only) (For Windows® 2000 Professional/XP/XP Professional x64 Edition/Windows Vista™) .....	18
Installing FaceFilter Studio.....	21

### Macintosh®

For USB Interface Users(For Mac OS® X 10.2.4 or greater) .....	22
For Network Interface Users (DCP-560CN only)(For Mac OS® X 10.2.4 or greater) .....	24

## For Network Users

---

BRAdmin Light utility (For Windows® users).....	27
Installing the BRAdmin Light configuration utility .....	27
Setting your IP address, Subnet Mask and Gateway using BRAdmin Light .....	27
BRAdmin Light utility (For Mac OS® X users).....	28
Setting your IP address, Subnet Mask and Gateway using BRAdmin Light .....	28

## Consumables

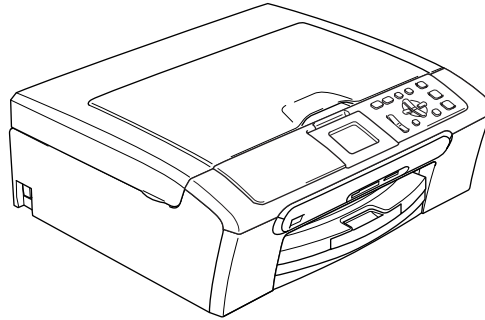
---

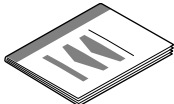

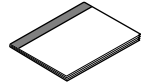
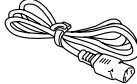

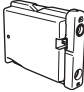



Replacement consumables.....	29
Ink cartridge .....	29

## Carton components

Carton components may vary from one country to another.

Save all packing materials and the carton in case for any reason you must ship your machine.



 <b>Quick Setup Guide</b>	 <b>CD-ROM</b>	 <b>User's Guide</b>	
 <b>Power Cord</b>	 <b>USB Cable</b>		
 <b>Black (LC960BK)</b>	 <b>Yellow (LC960Y)</b>	 <b>Cyan (LC960C)</b>	 <b>Magenta (LC960M)</b>
The ink cartridges are on top of the paper tray. See <i>Removing the protective parts</i> on page 4.			
<b>Ink Cartridges</b>			

A network cable is not a standard accessory. You need to purchase an appropriate network cable.

### USB cable

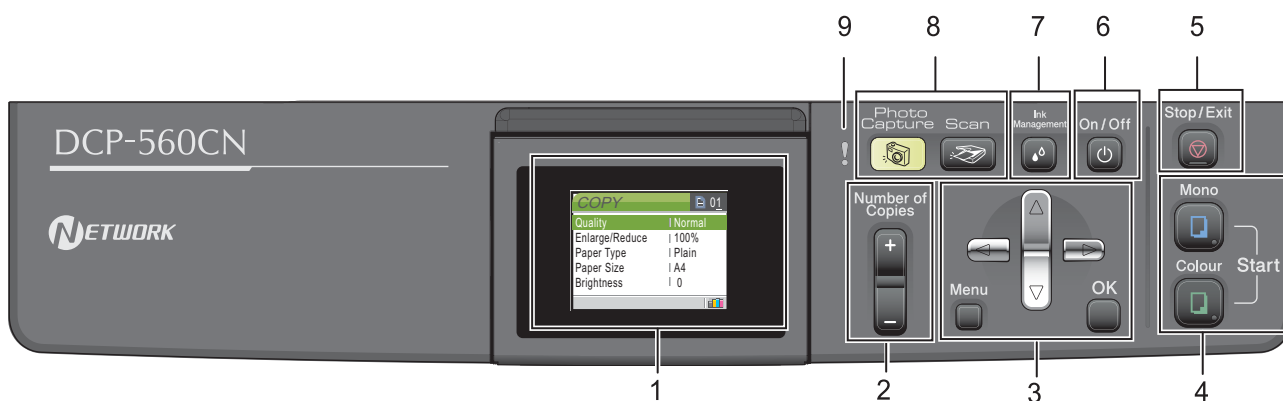
- Please make sure you use a USB 2.0 cable that is no longer than 2 metres.
- Your machine has a USB interface that is compatible with the USB 2.0 specification.
- DO NOT connect the interface cable at this time.  
Connecting the interface cable is done during the software installation process.

### Network cable (DCP-560CN only)


- Use a straight-through Category5 (or greater) twisted-pair cable for 10BASE-T or 100BASE-TX Fast Ethernet Network

To ensure safe operation the supplied plug must be inserted only into a standard power outlet that is properly grounded through the standard electrical wiring. Non grounded equipment may cause an electrical shock hazard, and may cause excessive electrical noise radiation.

## Control panel



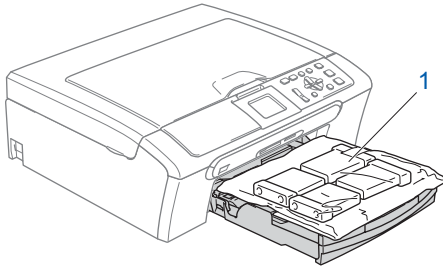
- |                                |                      |
|--------------------------------|----------------------|
| 1 LCD (Liquid Crystal Display) | 6 On/Off key         |
| 2 Number of Copies key         | 7 Ink Management key |
| 3 Menu keys                    | 8 Mode keys          |
| 4 Start keys                   | 9 Warning LED        |
| 5 Stop/Exit key                |                      |

 For the details of the control panel, see Control panel overview in Chapter 1 of the User's Guide.

■ Illustrations in this Quick Setup Guide are based on DCP-350C.

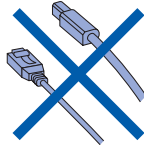
## 1 Removing the protective parts

- 1 Remove the protective tape and film covering the scanner glass.
- 2 Remove the foam bag (1) containing the ink cartridges from on top of the paper tray.




### ⊘ Improper Setup

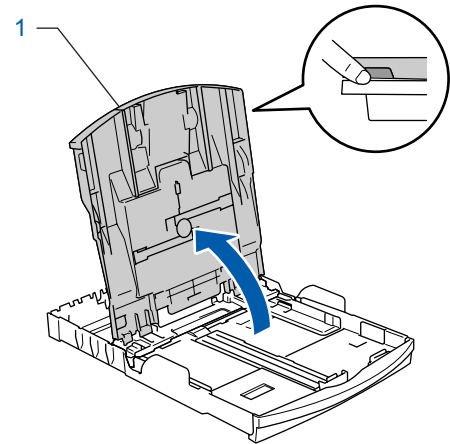
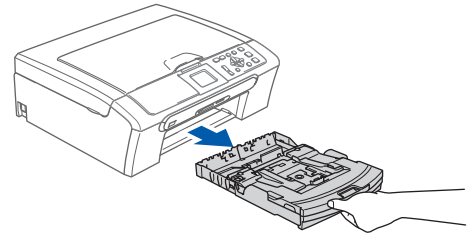
**DO NOT** connect the interface cable.  
Connecting the interface cable is done during the software installation process.



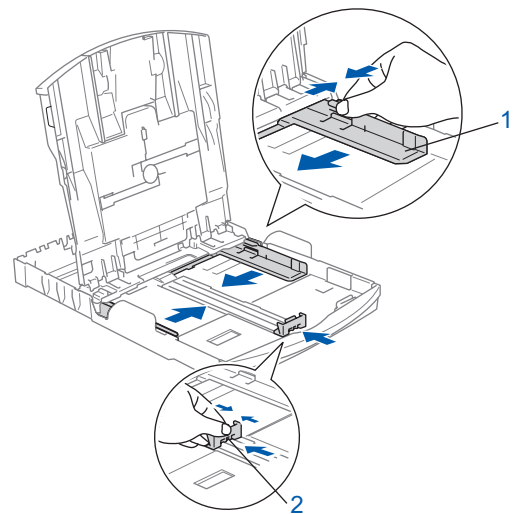
## 2 Loading paper

-  You can load up to 100 sheets of 80 g/m<sup>2</sup> paper.  
For details, see *Acceptable paper and other media* in Chapter 2 of the User's Guide.

- 1 Pull the paper tray completely out of the machine and lift the output paper tray cover (1).

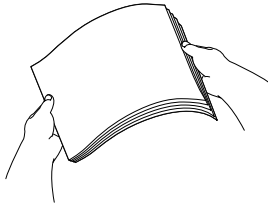


- 2 Press and slide the paper side guides (1) and paper length guide (2) to fit the paper size.

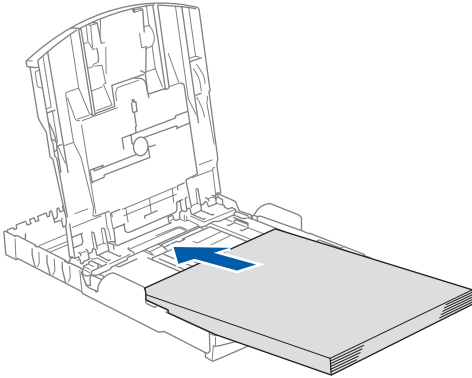


# Setting Up the Machine

- 3** Fan the stack of paper well to avoid paper jams and misfeeds.

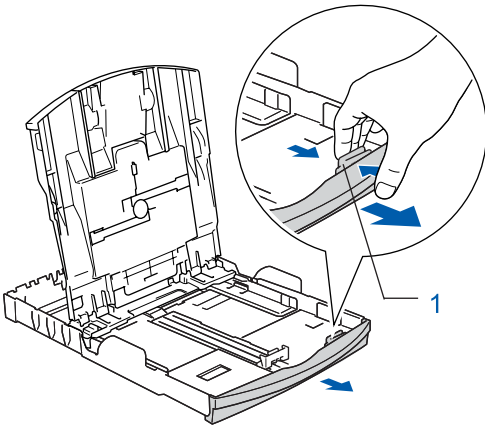


- 4** Gently put the paper into the paper tray print side down and top edge first. Check that the paper is flat in the tray.

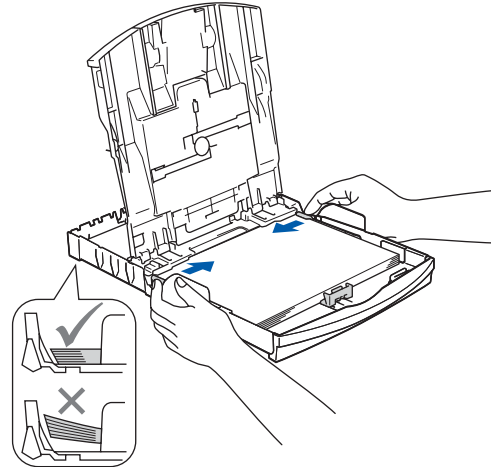


## Note

When you use Legal size paper, press and hold the universal guide release button (1) as you slide out the front of the paper tray.



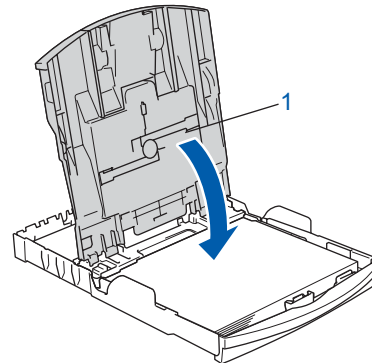
- 5** Gently adjust the paper side guides with both hands to fit the paper. Make sure that the paper guides touch the edges of the paper.



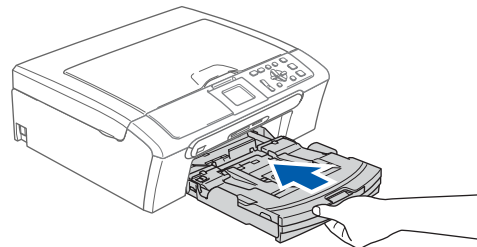
## Note

Be careful that you do not push the paper in too far; it may lift at the back of the tray and cause paper feed problems.

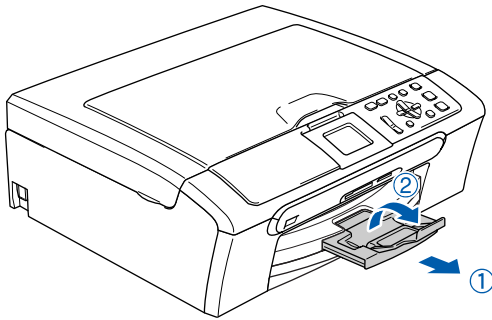
- 6** Close the output paper tray cover (1).



- 7** Slowly push the paper tray completely into the machine.



- 8** While holding the paper tray in place, pull out the paper support ① until it clicks, and then unfold the paper support flap ②.



**Note**

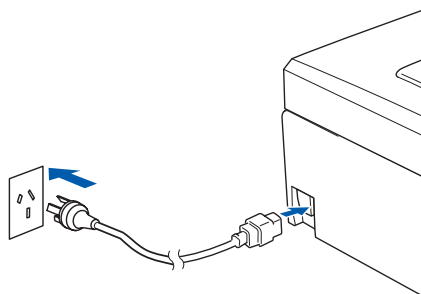
Do not use the paper support flap ② for Legal size paper.

**Note**

You can use the photo paper tray which is located on the top of the paper tray to print on photo 10×15 cm and photo L size paper. For details, see Loading photo paper in Chapter 2 of the User's Guide.

## 3 Connecting the power cord

- 1** Connect the power cord.



**Improper Setup**

**DO NOT** connect the interface cable. Connecting the interface cable is done during the software installation process.

**Warning**

The machine must be fitted with an earthed plug.

**Note**

The control panel warning LED will stay on until you have installed the ink cartridges.

## 4 Installing the ink cartridges

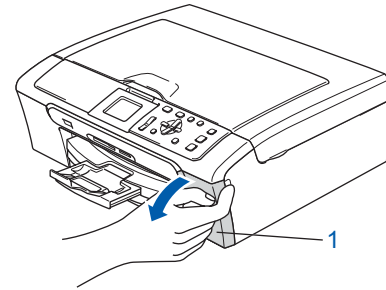
**Warning**

If ink gets in your eyes, wash them out with water at once, and if irritation occurs consult a doctor.

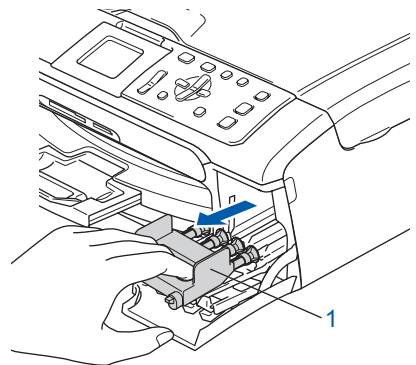
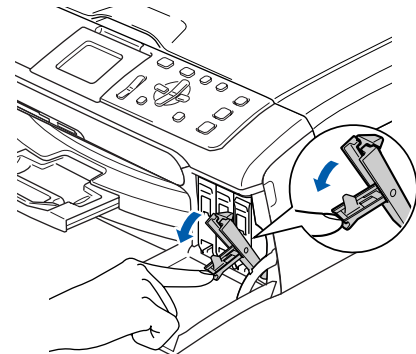
- 1** Make sure that the power is turned on. The LCD shows:



- 2** Open the ink cartridge cover (1).



- 3** Pull all the lock release levers down and remove the yellow protective part (1).

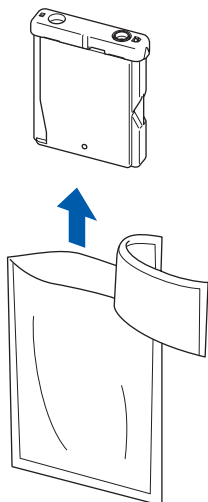


**Note**

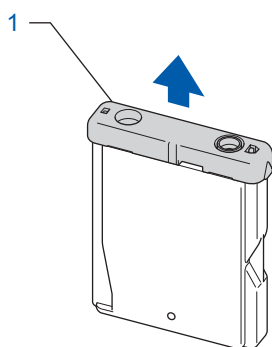
Do not throw away the yellow protective part. You will need it if you transport the machine.



- 4** Take out the ink cartridge.

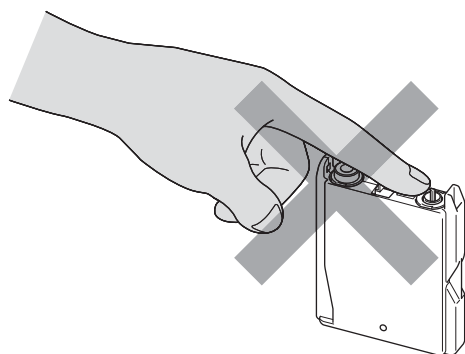


- 5** Carefully remove the protective yellow cap (1).



## ⊘ Improper Setup

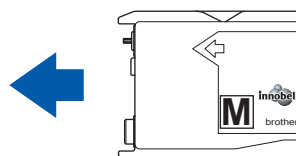
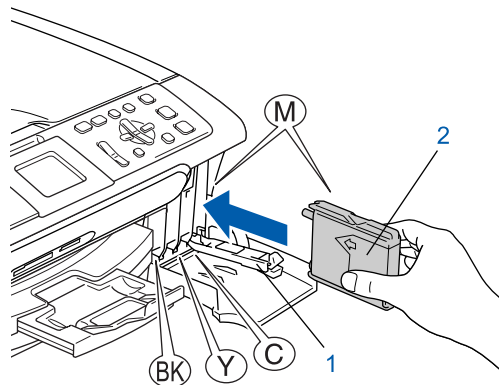
DO NOT touch the area shown in the illustration below.



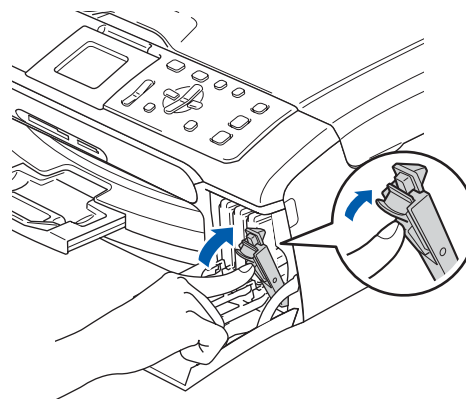
## 📄 Note

If the protective yellow cap comes off when you open the bag, the cartridge will not be damaged.

- 6** Install each ink cartridge in the direction of the arrow on the label. Take care to match the colour of the lock release lever (1) with the cartridge colour (2), as shown in the diagram below.



- 7** Lift each lock release lever and gently push it until it clicks, and then close the ink cartridge cover.

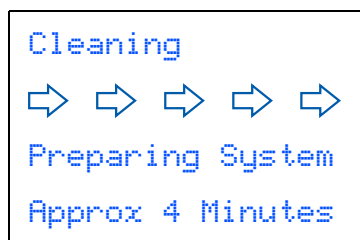


## 📄 Note

If the LCD prompts you to re-insert the ink cartridge correctly, after you install the ink cartridges, check that the ink cartridges are installed correctly.

The machine will clean the ink tube system for use for the first time. The cleaning process will last approximately four minutes.

The LCD shows:

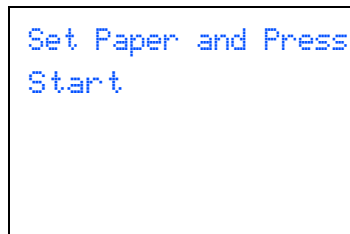


### ! Caution

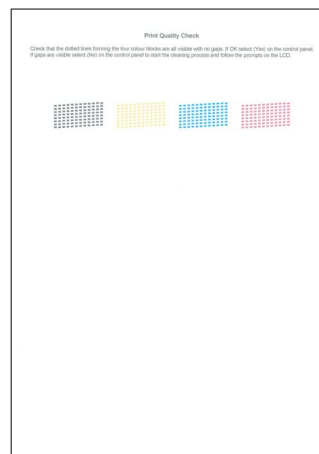
- DO NOT take out ink cartridges if you do not need to replace them. If you do so, it may reduce the ink quantity and the machine will not know the quantity of ink left in the cartridge.
- DO NOT shake the ink cartridges. If ink stains your skin or clothing, wash with soap or detergent at once.
- DO NOT repeatedly insert and remove the cartridges. If you do so, ink may seep out of the cartridge.
- If you mix the colours by installing an ink cartridge in the wrong position, clean the print head several times after correcting the cartridge installation. (See *Cleaning the print head in Appendixes B of the User's Guide.*)
- Once you open an ink cartridge, install it in the machine and use it up within six months of installation. Use unopened ink cartridges by the expiration date written on the cartridge package.
- DO NOT dismantle or tamper with the ink cartridge, this can cause the ink to leak out of the cartridge.
- Brother multifunction machines are designed to work with ink of a particular specification and will work to a level of optimum performance when used with genuine Brother branded ink cartridges. Brother cannot guarantee this optimum performance if ink or ink cartridges of other specifications are used. Brother does not therefore recommend the use of cartridges other than genuine Brother branded cartridges with this machine or the refilling of empty cartridges with ink from other sources. If damage is caused to the print head or other parts of this machine as a result of using incompatible products with this machine, any repairs required as a result may not be covered by the warranty.

## 5 Print quality check

- 1 After the cleaning cycle is finished, the LCD shows:



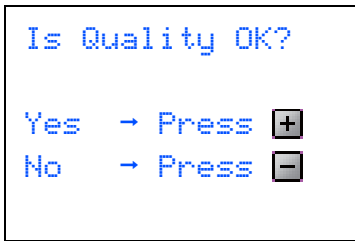
- 2 Make sure A4, Letter or Legal size paper is loaded in the paper tray. Press **Colour Start**. The machine starts printing the Print Quality Check Sheet (only during initial ink cartridge installation).
- 3 Check the quality of the four colour blocks on the sheet.  
 (black/ yellow/ cyan/ magenta)



### 📄 Note

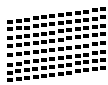
Avoid touching the printed surface of the paper immediately after printing, the surface may not be completely dry and may stain your fingers.

**4** The LCD shows:

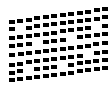


- If all lines are clear and visible, press **+** (Yes) to finish the quality check.
- If you can see missing short lines, press **-** (No) and go to step **5**.

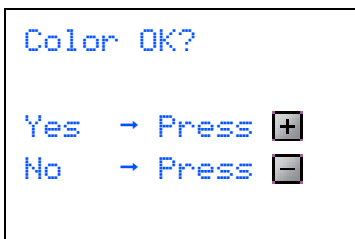
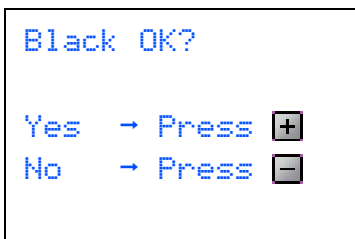
OK



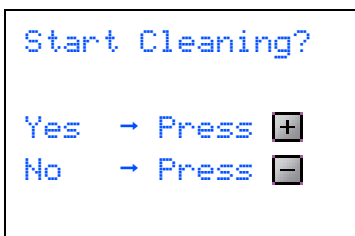
Poor



**5** The LCD asks you if the print quality is OK for black and colour. Press **+** (Yes) or **-** (No).



After pressing **+** (Yes) or **-** (No) for both black and colour, the LCD shows:



**6** Press **+** (Yes), the machine will then start cleaning the colours.

**7** After cleaning is finished, press **Colour Start**. The machine starts printing the Print Quality Check Sheet again and goes back to step **3**.

## **6** Setting the LCD contrast

You can adjust the LCD contrast for a sharper and more vivid display. If you are having difficulty reading the LCD, try changing the contrast setting.

- 1** Press **Menu**.
- 2** Press **▲** or **▼** to choose **General Setup**. Press **OK**.
- 3** Press **▲** or **▼** to choose **LCD Settings**. Press **OK**.
- 4** Press **▲** or **▼** to choose **LCD Contrast**. Press **OK**.
- 5** Press **▲** or **▼** to choose **Light, Med or Dark**. Press **OK**.
- 6** Press **Stop/Exit**.



### Note

You can also adjust the angle of the LCD display by lifting it.

## 7 Setting the date and time

Setting the date and time allows the machine to clean the print head regularly and maintain optimum print quality. It also allows the machine to name files created when using the Scan to Media feature.

- 1 Press **Menu**.
- 2 Press **▲** or **▼** to choose `Initial Setup`, and then press **OK**.
- 3 Press **▲** or **▼** to choose `Date&Time`, and then press **OK**.
- 4 Press **▲** or **▼** to enter the last two digits of the year, and then press **OK**.

```
Date&Time
Year:20
07
```

(e.g. Enter **07** for 2007.)

- 5 Press **▲** or **▼** to enter the two digits for the month, and then press **OK**.


```
Date&Time
Month:
03
```

(e.g. Enter **03** for March.)

- 6 Press **▲** or **▼** to enter the two digits for the day, and then press **OK**.

```
Date&Time
Day:
01
```

(e.g. Enter **01** for the first day of the month.)

- 7 Press **▲** or **▼** to enter the two digits for the hour in 24-hour format, and then press  to enter the minutes.

```
Date&Time
Time:
15:00
```

(e.g. Enter **15** for 15:00.)

- 8 Press **▲** or **▼** to enter the two digits for the minute, and then press **OK**.

```
Date&Time
Time:
15:25
```

(e.g. Enter **15, 25** for 15:25.)



### Note

You can increase or decrease the number rapidly by holding down **▲** or **▼**.

- 9 Press **Stop/Exit**.



### Note

If you make a mistake and want to start again, press **Stop/Exit** to go back to step 1.



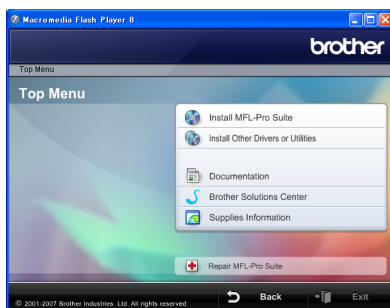
To confirm the current date and time, print out the User Settings report. (See Printing Reports in Chapter 1 of the User's Guide.)

## Now go to

*Supplied CD-ROM 'MFL-Pro Suite'* on the next page to install the drivers.

## Supplied CD-ROM 'MFL-Pro Suite'

### Windows®



#### **Install MFL-Pro Suite**

You can install the MFL-Pro Suite software and multifunction drivers.

#### **Install Other Drivers or Utilities**

You can install additional MFL-Pro Suite software utilities, install without Presto!® PageManager®, install the printer driver only (DCP-560CN only) or install FaceFilter Studio.

#### **Documentation**

View the Software User's Guide and Network User's Guide (DCP-560CN only) in HTML format. You can also view the manuals in PDF format by accessing the Brother Solutions Center. The Software User's Guide and Network User's Guide include instructions for features available when connected to a computer. (eg. Printing, scanning and networking details)

#### **Brother Solutions Center**

Access the Brother Solutions Center for FAQs, User's Guides, driver updates and tips for using your machine. (Internet access required.)

#### **Supplies Information**

View our web site for original/genuine Brother supplies at <http://www.brother.com/original/>.

#### **Repair MFL-Pro Suite (USB only)**

If an error occurred during the installation of the MFL-Pro Suite, use this selection to automatically repair and re-install the MFL-Pro Suite.

#### **Note**

*MFL-Pro Suite includes the Printer Driver, Scanner Driver and Brother ControlCenter3.*

### Macintosh®



#### **Start Here OSX**

You can install the MFL-Pro Suite that includes the printer driver, scanner driver, Brother ControlCenter2 and BRAdmin Light (DCP-560CN only) for Mac OS® X 10.2.4 or greater.

#### **Documentation**

View the Software User's Guide and Network User's Guide (DCP-560CN only) in HTML format. You can also view the manuals in PDF format by accessing the Brother Solutions Center. The Software User's Guide and Network User's Guide include instructions for features available when connected to a computer. (eg. Printing, scanning and networking details)

#### **Brother Solutions Center**

Access the Brother Solutions Center for FAQs, User's Guides, driver updates and tips for using your machine. (Internet access required.)

#### **Utilities**

You can find the following additional Utilities from this folder.

- BRAdmin Light (DCP-560CN only)

# STEP 2

# Installing the Driver & Software

Follow the instructions on this page for your operating system and interface.  
For the latest drivers, documentation, and to find the best solution for your problem, access the Brother Solution Center directly from the CD-ROM / Driver or visit <http://solutions.brother.com>.

## Windows®



**For USB Interface Users**  
(For Windows® 2000 Professional/XP/  
XP Professional x64 Edition/Windows Vista™) ..... 14



**For Network Interface Users (DCP-560CN only)**  
(For Windows® 2000 Professional/XP/  
XP Professional x64 Edition/Windows Vista™) ..... 18

## Macintosh®



**For USB Interface Users**  
(For Mac OS® X 10.2.4 or greater) ..... 22



**For Network Interface Users (DCP-560CN only)**  
(For Mac OS® X 10.2.4 or greater) ..... 24

The screens for Windows® in this Quick Setup Guide are based on Windows® XP.  
The screens for Mac OS® X in this Quick Setup Guide are based on Mac OS® X 10.4.

Screens on your computer may vary depending on your operating system.

## For USB Interface Users (For Windows® 2000 Professional/XP/ XP Professional x64 Edition/Windows Vista™)

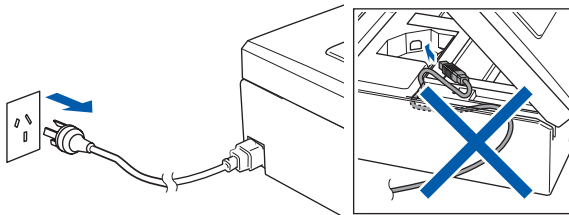
### Important

Make sure that you have finished the instructions from **STEP 1 *Setting Up the Machine*** on pages 4 through 10.

### Note

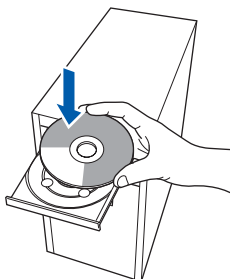
- Please close any applications running before installing MFL-Pro Suite.
- Make sure there are no memory cards or a USB Flash memory drive inserted into the media drives or USB direct interface at the front of the machine.

- 1 Disconnect the machine from the power socket and from your computer, if you already connected an interface cable.

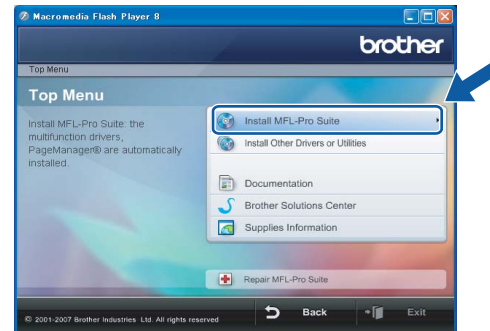


- 2 Turn on your computer. You must be logged on with Administrator rights.

- 3 Put the supplied CD-ROM into your CD-ROM drive. If the model name screen appears, choose your machine. If the language screen appears, choose your language.



- 4 The CD-ROM main menu will appear. Click **Install MFL-Pro Suite**.



If this window does not appear, use Windows® Explorer to run the **start.exe** program from the root folder of the Brother CD-ROM.

### Note

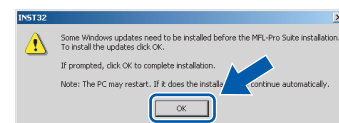
- **If you are using Windows® 2000 Professional and have not installed service pack 3 (SP3) or greater:**

To access the PhotoCapture Center™ features from your computer you may have to install a Windows® 2000 update first.

The Windows® 2000 update is included with the MFL-Pro Suite installer.

To install the update, follow the steps below:

- 1 Click **OK** to start installation of the Windows® updates.

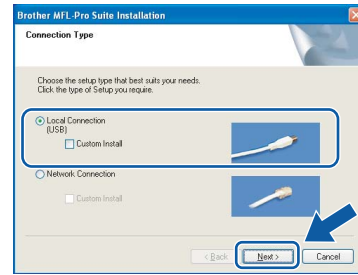
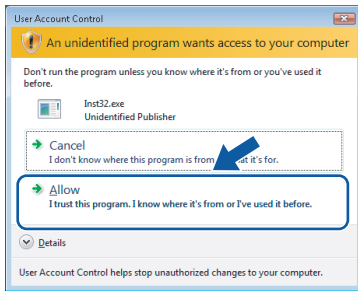


- 2 When instructed, click **OK** to restart your computer.
- 3 After the computer restarts, the installation of MFL-Pro Suite will automatically continue.

- If the installation does not continue automatically, open the main menu again by ejecting and then reinserting the CD-ROM disc or double-click the **start.exe** program from the root folder, and continue from step 4 to install MFL-Pro Suite.

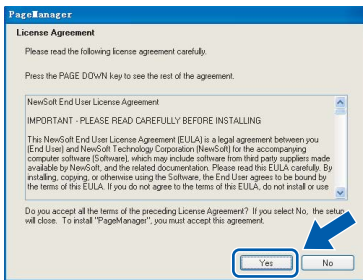


- For Windows Vista™, when the User Account Control screen appears, click **Allow**.



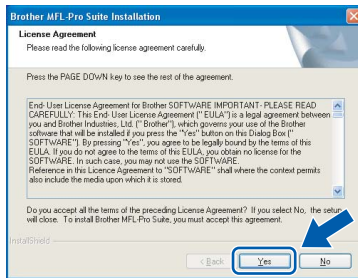
- 9** When this screen appears, go to the next step.

- 5** After reading and accepting the Presto!® PageManager® License Agreement, click **Yes**.

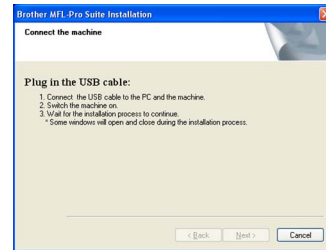
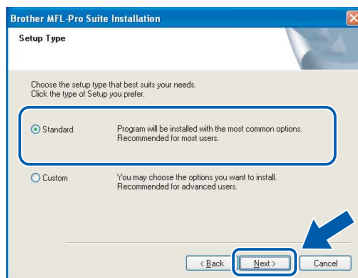


- 6** The installation of Presto!® PageManager® will automatically start and is followed by the installation of MFL-Pro Suite.

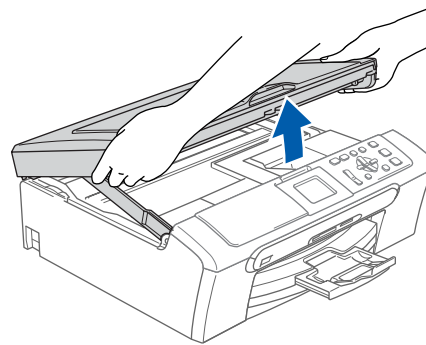
- 7** When the Brother MFL-Pro Suite Software License Agreement window appears, click **Yes** if you agree to the Software License Agreement.

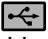


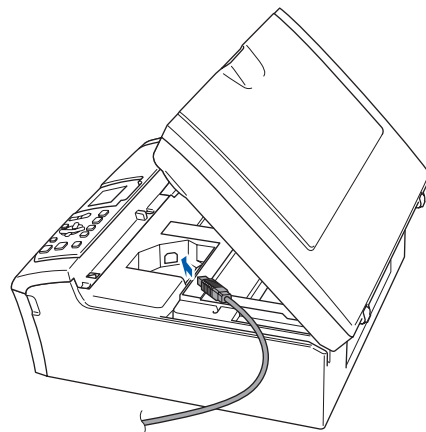
- 8** Choose **Standard (DCP-350C)** or **Local Connection (DCP-560CN)**, and then click **Next**. The installation continues.



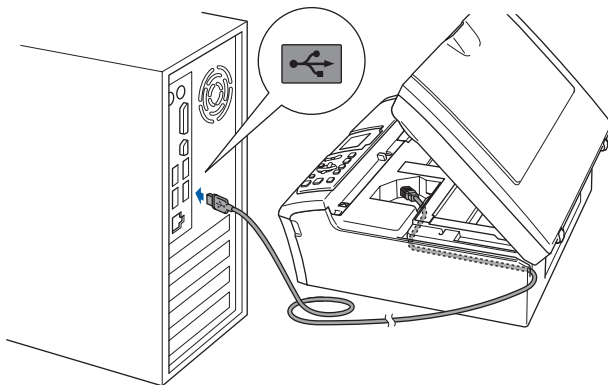
- 10** Using both hands, use the plastic tabs on both sides of the machine to lift the scanner cover until it locks securely into the open position.



- 11** Connect the USB cable to the USB socket marked with a  symbol. You will find the USB socket inside the machine as shown below.



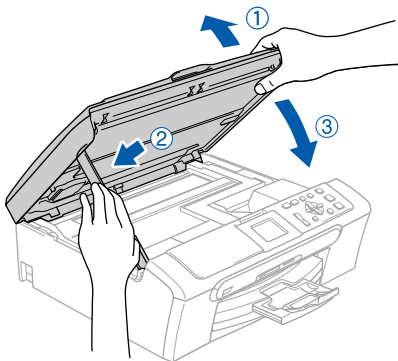
**12** Carefully guide the USB cable into the trench as shown below, following the trench around and toward the back of the machine. Then, connect the cable to your computer.



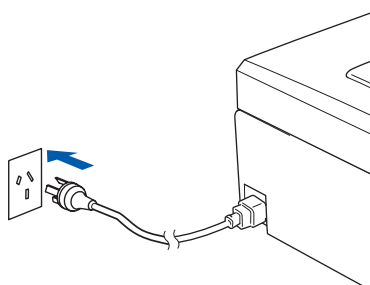
**⊘ Improper Setup**

- **DO NOT** connect the machine to a USB port on a keyboard or a non-powered USB hub. Brother recommends that you connect the machine directly to your computer.
- Make sure that the cable does not restrict the cover from closing, or an error may occur.
- Make sure you use a USB 2.0 cable that is no longer than 2 metres.

**13** Lift the scanner cover to release the lock ①. Gently push the scanner cover support down ② and close the scanner cover ③.



**14** Turn on the machine by connecting the power cord.

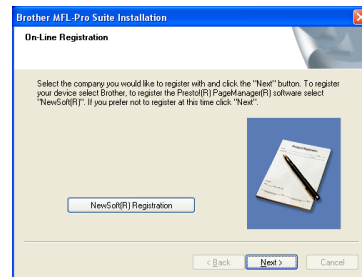


The installation of the Brother drivers will automatically start. The installation screens appear one after another. **Please wait, it will take a few seconds for all the screens to appear.**

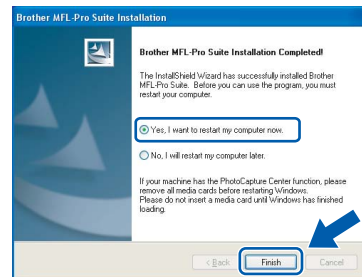
**⊘ Improper Setup**

**DO NOT** try to cancel any of the screens during this installation.

**15** When the On-Line Registration screen is displayed, make your selection and follow the on-screen instructions.



**16** Click **Finish** to restart your computer. After restarting the computer, you must be logged on with Administrator rights.



**Note**

After restarting the computer, the Installation Diagnostics will run automatically. If the installation is unsuccessful, the installation results window will be shown. If the Diagnostics shows a failure, please follow the on-screen instructions or read the on-line help and FAQs in **Start/All Programs/Brother/DCP-XXXX**.



**The MFL-Pro Suite has been installed completely. Proceed to *Installing FaceFilter Studio* on page 17 to install the FaceFilter Studio application.**

**Note**

MFL-Pro Suite includes the Printer Driver, Scanner Driver and Brother ControlCenter3.

## Installing FaceFilter Studio

FaceFilter Studio is an easy-to-use borderless photo printing application. FaceFilter Studio also lets you edit your photo data and add photo effects such as red eye reduction or skin tone enhancement.

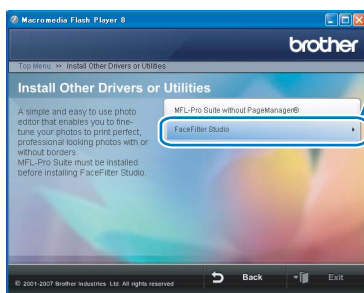
### Important

**Before you launch FaceFilter Studio for the first time, you must confirm MFL-Pro Suite is installed, your Brother machine is turned ON and connected to your computer.**

- 17** Open the main menu again by ejecting and then reinserting the CD-ROM disc or by double-clicking the **start.exe** program from the root folder.
- 18** The CD-ROM main menu will appear. Click **Install Other Drivers or Utilities**.



- 19** Click the **FaceFilter Studio** button to install.



- 20** For information on basic FaceFilter Studio functions, see *Using FaceFilter Studio for photo printing by REALLUSION in the Software User's Guide on the CD-ROM*. For more detailed information, see FaceFilter Studio Help.

**For Network Interface Users (DCP-560CN only)  
(For Windows® 2000 Professional/XP/  
XP Professional x64 Edition/Windows Vista™)**

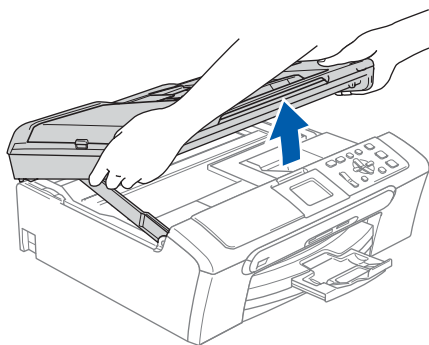
**Important**


**Make sure that you have finished the instructions from STEP 1 *Setting Up the Machine* on pages 4 through 10.**

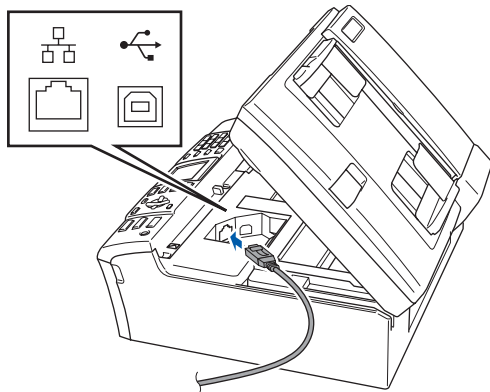
**Note**

- Please close any applications running before installing MFL-Pro Suite.
- Make sure there are no memory cards or a USB Flash memory drive inserted into the media drives or USB direct interface at the front of the machine.

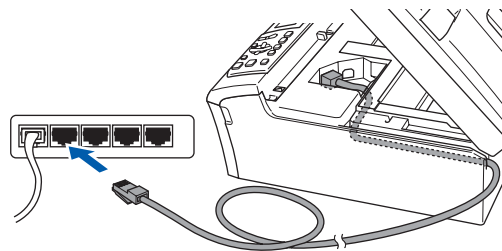
- 1 Disconnect the machine from the power socket.
- 2 Using both hands, use the plastic tabs on both sides of the machine to lift the scanner cover until it locks securely into the open position.



- 3 Connect the network cable to the LAN socket marked with a  symbol. You will find the LAN socket inside the machine on the left as shown below.



- 4 Carefully guide the network cable into the trench as shown below, following the trench around and toward the back of the machine. Then, connect the cable to your network.



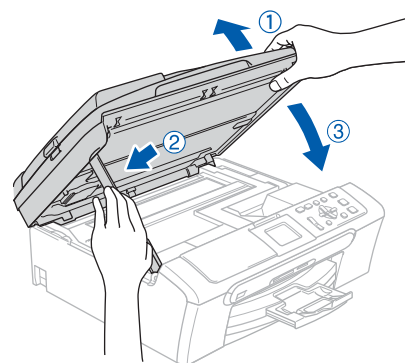
**Improper Setup**

**Make sure that the cable does not restrict the cover from closing, or an error may occur.**

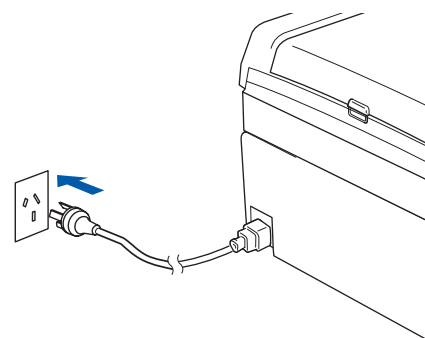
**Note**

*If both USB and LAN cables are being used, guide both cables through the trench with one on top of the other.*

- 5 Lift the scanner cover to release the lock ①. Gently push the scanner cover support down ② and close the scanner cover ③.



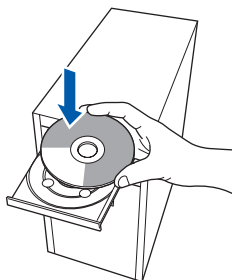
- 6 Turn on the machine by connecting the power cord.



- 7** Turn on your computer. You must be logged on with Administrator rights. Close any applications running before installing MFL-Pro Suite.

**Note** Before installation, if you are using Personal Firewall software, disable it. After the installation, restart your Personal Firewall software.

- 8** Put the supplied CD-ROM into your CD-ROM drive. If the model name screen appears, choose your machine. If the language screen appears, choose your language.



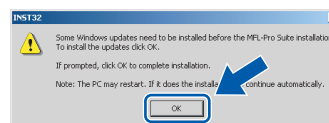
- 9** The CD-ROM main menu will appear. Click **Install MFL-Pro Suite**.



If this window does not appear, use Windows® Explorer to run the **start.exe** program from the root folder of the Brother CD-ROM.

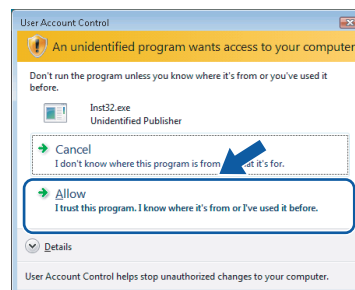
**Note**

- **If you are using Windows® 2000 Professional and have not installed service pack 3 (SP3) or greater:**  
To access the PhotoCapture Center™ features from your computer you may have to install a Windows® 2000 update first. The Windows® 2000 update is included with the MFL-Pro Suite installer. To install the update, follow the steps below:
  - 1 Click **OK** to start installation of the Windows® updates.

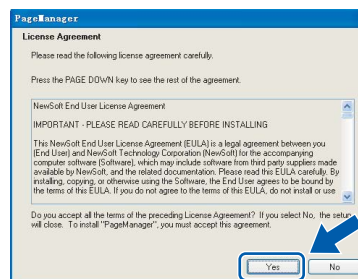


- 2 When instructed, click **OK** to restart your computer.
- 3 After the computer restarts, the installation of MFL-Pro Suite will automatically continue.

- If the installation does not continue automatically, open the main menu again by ejecting then reinserting the CD-ROM disc or double-click the **start.exe** program from the root folder, and continue from step 9 to install MFL-Pro Suite.
- For Windows Vista™, when the User Account Control screen appears, click **Allow**.



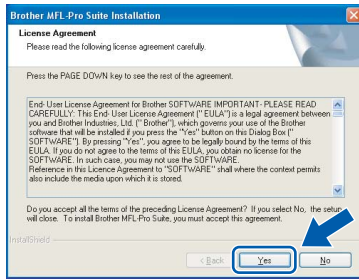
- 10** After reading and accepting the Presto!® PageManager® License Agreement, click **Yes**.



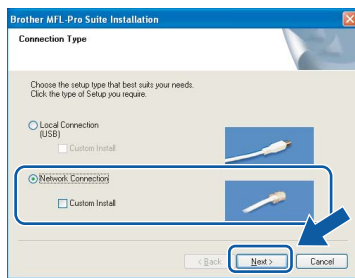
- 11** The installation of Presto!® PageManager® will automatically start and is followed by the installation of MFL-Pro Suite.



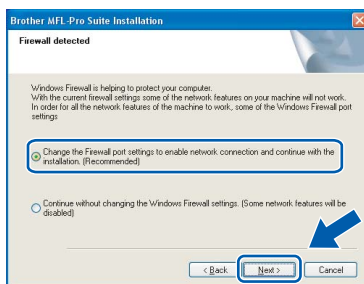
**12** When the Brother MFL-Pro Suite Software License Agreement window appears, click **Yes** if you agree to the Software License Agreement.



**13** Choose **Network Connection**, and then click **Next**.



**14** For Windows® XP SP2/Windows Vista™ users, when this screen appears, choose **Change the Firewall port settings to enable network connection and continue with the installation. (Recommended)** and click **Next**.

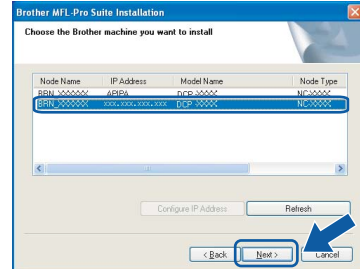


If you are not using the Windows® Firewall, see the User's Guide for your software for information on how to add the following network ports.

- For network scanning, add UDP port 54925.
- If you still have trouble with your network connection, add UDP port 137.

**Note**

- If the machine is configured for your network, choose the machine from the list, and then click **Next**.  
This window will not appear if there is only one machine connected on the network, it will be chosen automatically.



If your machine shows **APIPA** in the **IP Address** field, click **Configure IP Address** and enter an IP address for your machine that is suitable for your network.

- If the machine is not yet configured for use on your network, the following screen appears.



Click **OK**.

The **Configure IP Address** window will appear. Enter an IP address for your machine that is suitable for your network by following the on-screen instructions.

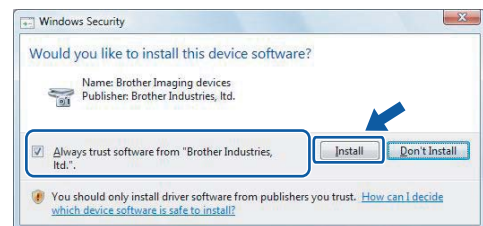
**15** The installation of the Brother drivers will automatically start. The installation screens appear one after another. **Please wait, it will take a few seconds for all the screens to appear.**

**Improper Setup**

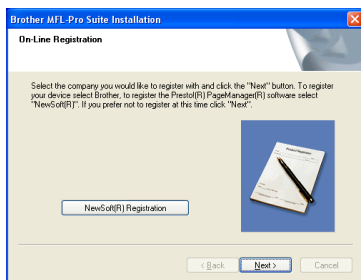
**DO NOT try to cancel any of the screens during this installation.**

**Note**

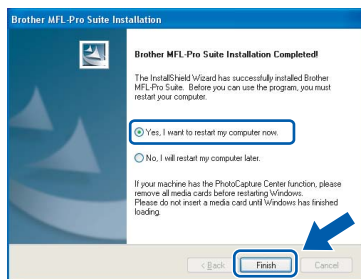
For Windows Vista™, when this screen appears, click the check box and click **Install** to complete the installation properly.



- 16** When the On-Line Registration screen is displayed, make your selection and follow the on-screen instructions.



- 17** Click **Finish** to restart your computer. After restarting the computer, you must be logged on with Administrator rights.



**Note**

After restarting the computer, the Installation Diagnostics will run automatically. If the installation is unsuccessful, the installation results window will be shown. If the Diagnostics shows a failure, please follow the on-screen instructions or read the on-line help and FAQ's in **Start/All Programs/Brother/DCP-XXXX**.



The MFL-Pro Suite has been installed completely. Proceed to **Installing FaceFilter Studio** on page 21 to install the FaceFilter Studio application.



**Note**

MFL-Pro Suite includes the Network Printer Driver, Network Scanner Driver and Brother ControlCenter3.

## Installing FaceFilter Studio

FaceFilter Studio is an easy-to-use borderless photo printing application. FaceFilter Studio also lets you edit your photo data and add photo effects such as red eye reduction or skin tone enhancement.

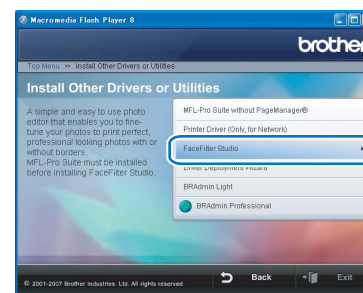
### Important

Before you launch FaceFilter Studio for the first time, you must confirm MFL-Pro Suite is installed, your Brother machine is turned ON and connected to your network.

- 18** Open the main menu again by ejecting and then reinserting the CD-ROM disc or by double-clicking the **start.exe** program from the root folder.
- 19** The CD-ROM main menu will appear. Click **Install Other Drivers or Utilities**.



- 20** Click the **FaceFilter Studio** button to install.



- 21** For information on basic FaceFilter Studio functions, see *Using FaceFilter Studio for photo printing by REALLUSION in the Software User's Guide on the CD-ROM*. For more detailed information, see FaceFilter Studio Help.



## For USB Interface Users (For Mac OS® X 10.2.4 or greater)

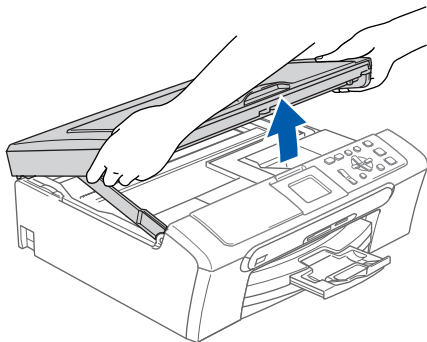
### Important

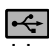
Make sure that you have finished the instructions from STEP 1 *Setting Up the Machine* on pages 4 through 10.

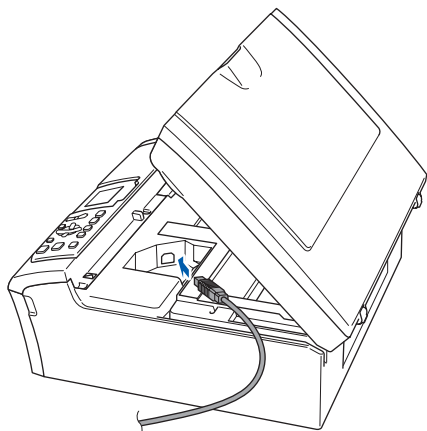
### Note

- For Mac OS® X 10.2.0 to 10.2.3 users, upgrade to Mac OS® X 10.2.4 or greater. (For the latest information for Mac OS® X, visit <http://solutions.brother.com>)
- Make sure there are no memory cards or a USB Flash memory drive inserted into the media drives or USB direct interface at the front of the machine.

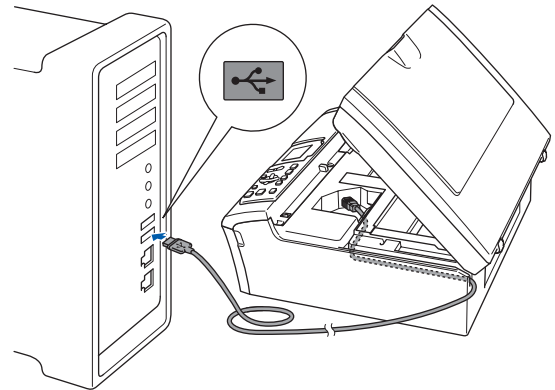
- Using both hands, use the plastic tabs on both sides of the machine to lift the scanner cover until it locks securely into the open position.



- Connect the USB cable to the USB socket marked with a  symbol. You will find the USB socket inside the machine as shown below.



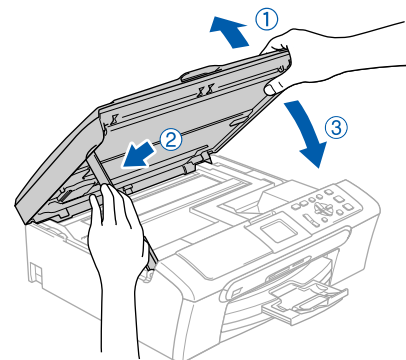
- Carefully guide the USB cable into the trench as shown below, following the trench around and toward the back of the machine. Then, connect the cable to your Macintosh®.



### ⊘ Improper Setup

- **DO NOT** connect the machine to a USB port on a keyboard or a non-powered USB hub. Brother recommends that you connect the machine directly to your Macintosh®.
- Make sure that the cable does not restrict the cover from closing, or an error may occur.
- Make sure you use a USB 2.0 cable that is no longer than 2 metres.

- Lift the scanner cover to release the lock ①. Gently push the scanner cover support down ② and close the scanner cover ③.



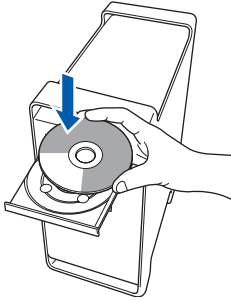
### Note

Make sure that the machine is turned on by connecting the power cord.

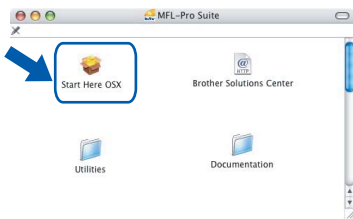


**5** Turn on your Macintosh®.

**6** Put the supplied CD-ROM into your CD-ROM drive.



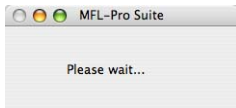
**7** Double-click the **Start Here OSX** icon to install. Follow the on-screen instructions.



**Note**

Please wait, it will take a few seconds for the software to install. After the installation, click **Restart** to finish installing the software.

**8** The Brother software will search for the Brother device. During this time the following screen will appear.

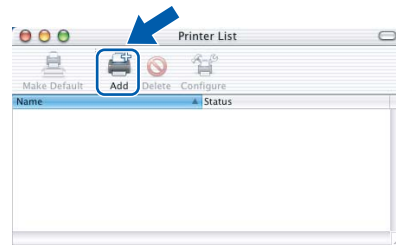


**9** When this screen appears, click **OK**.

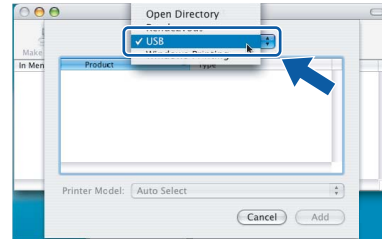


**OK!** For Mac OS® X 10.3.x or greater users: The MFL-Pro Suite, Brother printer driver, scanner driver and Brother ControlCenter2 have been installed and the installation is now complete.

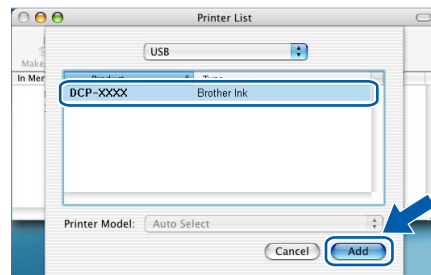
**10** For Mac OS® X 10.2.4 to 10.2.8 users: Click **Add**.



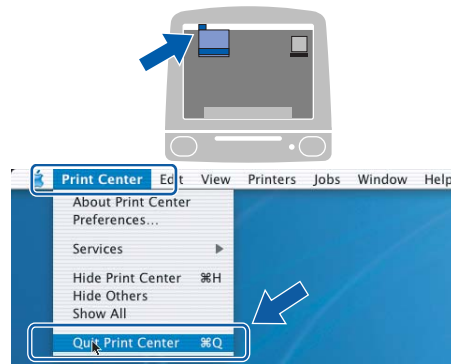
**11** Choose **USB**.



**12** Choose **DCP-XXXX** (where XXXX is your model name), and then click **Add**.



**13** Click **Print Center**, then **Quit Print Center**.



**OK!** The MFL-Pro Suite, Brother printer driver, scanner driver and Brother ControlCenter2 have been installed and the installation is now complete.

Macintosh®  
USB

## For Network Interface Users (DCP-560CN only) (For Mac OS® X 10.2.4 or greater)

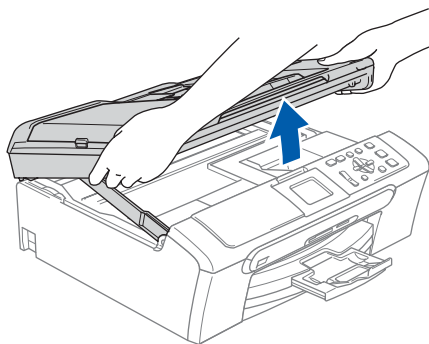
### Important


Make sure that you have finished the instructions from STEP 1 *Setting Up the Machine* on pages 4 through 10.

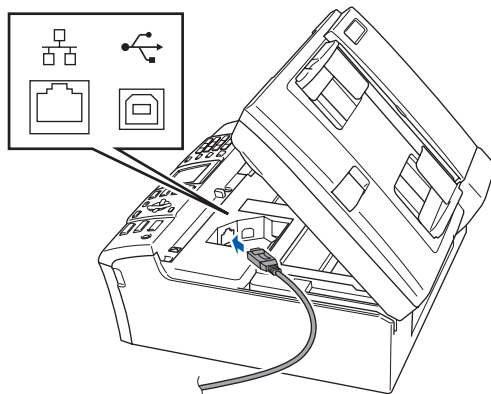
### Note

- For Mac OS® X 10.2.0 to 10.2.3 users, upgrade to Mac OS® X 10.2.4 or greater. (For the latest information for Mac OS® X, visit <http://solutions.brother.com>)
- Make sure there are no memory cards or a USB Flash memory drive inserted into the media drives or USB direct interface at the front of the machine.

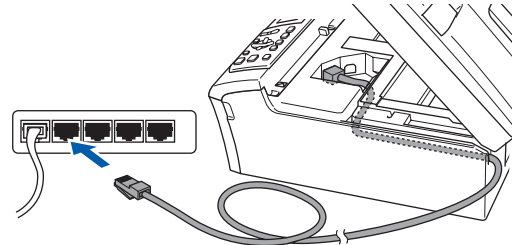
- 1 Using both hands, use the plastic tabs on both sides of the machine to lift the scanner cover until it locks securely into the open position.



- 2 Connect the network cable to the LAN socket marked with a  symbol. You will find the LAN socket inside the machine on the left as shown below.



- 3 Carefully guide the network cable to the trench as shown below, following the trench around and toward the back of the machine. Then, connect the cable to your network.



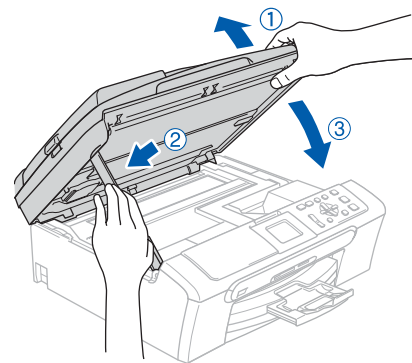
### Improper Setup

Make sure that the cable does not restrict the cover from closing, or an error may occur.

### Note

If both USB and LAN cables are being used, guide both cables through the trench with one on top of the other.

- 4 Lift the scanner cover to release the lock ①. Gently push the scanner cover support down ② and close the scanner cover ③.

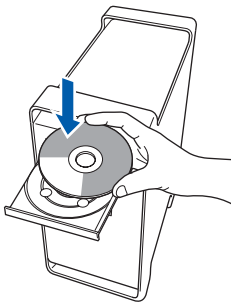


### Note

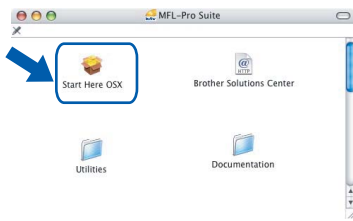
Make sure that the machine is turned on by connecting the power cord.

- 5 Turn on your Macintosh®.

- 6** Put the supplied CD-ROM into your CD-ROM drive.

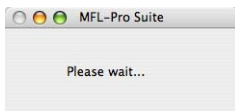


- 7** Double-click the **Start Here OSX** icon to install. Follow the on-screen instructions.



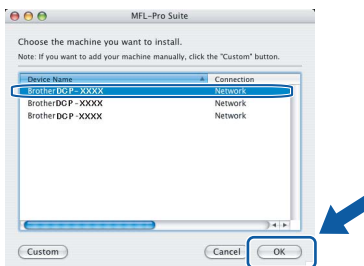
Please wait, it will take a few seconds for the software to install. After the installation, click **Restart** to finish installing the software.

- 8** The Brother software will search for the Brother device. During this time the following screen will appear.



**Note**

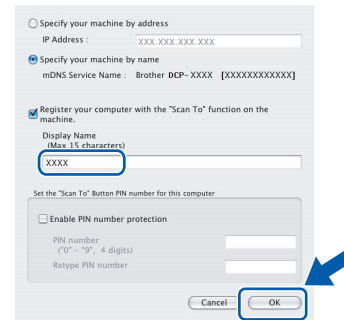
- If the machine is configured for your network, choose the machine from the list, and then click **OK**. This window will not appear if there is only one machine connected on the network, it will be chosen automatically. Go to step 9.



- If this screen appears click **OK**.

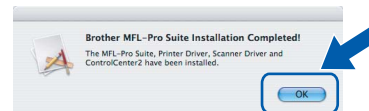


Enter a name for your Macintosh® in **Display Name** up to 15 characters long and click **OK**. Go to step 9.



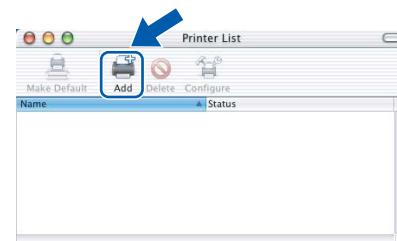
- If you want to use the machine's Scan key to scan over the network you must check the **Register your computer with the "Scan To" function on the machine box**.
- The name you enter will appear on the machine's LCD when you press the **Scan** key and choose a scan option. (For more information, see *Network Scanning in the Software User's Guide on the CD-ROM*.)

- 9** When this screen appears, click **OK**.

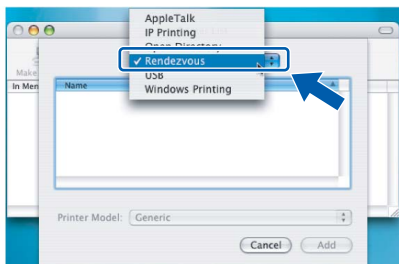


- OK!** For Mac OS® X 10.3.x or greater users: The MFL-Pro Suite, Brother printer driver, scanner driver and Brother ControlCenter2 have been installed and the installation is now complete.

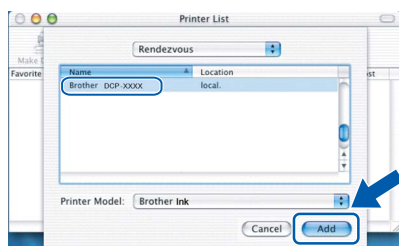
- 10** For Mac OS® X 10.2.4 to 10.2.8 users: Click **Add**.



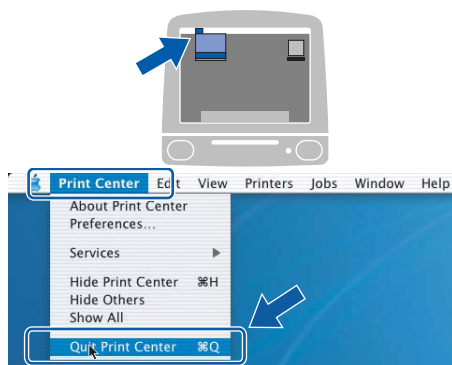
**11** Make the selection shown below.



**12** Choose **DCP-XXXX** (where XXXX is your model name), and then click **Add**.



**13** Click **Print Center**, then **Quit Print Center**.



**OK!** The **MFL-Pro Suite**, **Brother printer driver**, **scanner driver** and **Brother ControlCenter2** have been installed and the installation is now complete.

## BRAdmin Light utility (For Windows® users)

BRAdmin Light is a utility for initial setup of Brother network connected devices. It also can search for Brother products on your network, view the status and configure basic network settings, such as IP address. For more information on BRAdmin Light, visit us at <http://solutions.brother.com>.



*If you require more advanced printer management, use the latest Brother BRAdmin Professional utility version that is available as a download from <http://solutions.brother.com>.*

### Installing the BRAdmin Light configuration utility

- 1 Click **Install Other Drivers or Utilities** on the menu screen.



- 2 Click **BRAdmin Light** and follow the on-screen instructions.

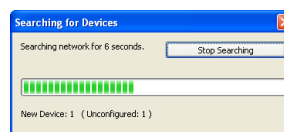


### Setting your IP address, Subnet Mask and Gateway using BRAdmin Light

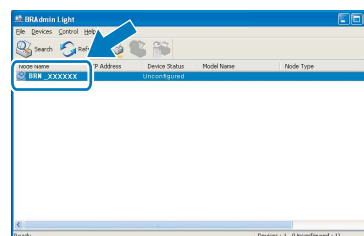


*If you have a DHCP/BOOTP/RARP server in your network, you don't have to do the following operation. Because the print server will automatically obtain its IP address.*

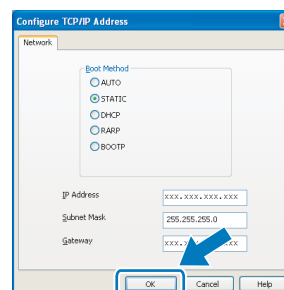
- 1 Start BRAdmin Light. It will search for new devices automatically.



- 2 Double-click the unconfigured device.



- 3 Choose **STATIC** for the **Boot Method**. Enter the **IP Address**, **Subnet Mask** and **Gateway**, and then click **OK**.



- 4 The address information will be saved to the machine.

## BRAdmin Light utility (For Mac OS® X users)

BRAdmin Light is a utility for initial setup of Brother network connected devices. It also can search for Brother products on your network, view the status and configure basic network settings, such as IP address from a computer running Mac OS® X 10.2.4 or greater.

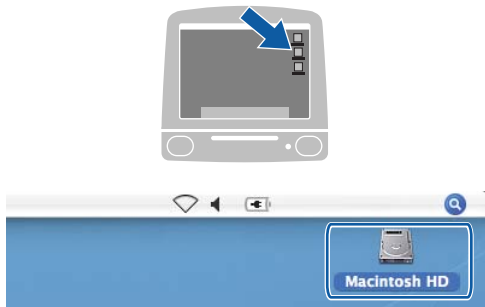
The BRAdmin Light software will be installed automatically when you install the printer driver. If you have already installed the printer driver, you don't have to install it again. For more information on BRAdmin Light, visit us at <http://solutions.brother.com>.

### Setting your IP address, Subnet Mask and Gateway using BRAdmin Light

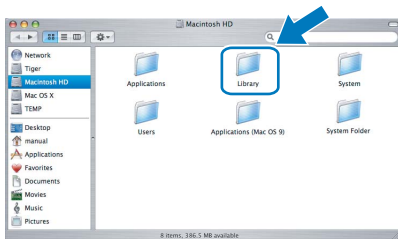
#### Note

- If you have a DHCP/BOOTP/RARP server in your network, you don't have to do the following operation. The print server will automatically obtain its own IP address.
- Make sure that version 1.4.1\_07 or later of Java™ client software is installed on your computer.

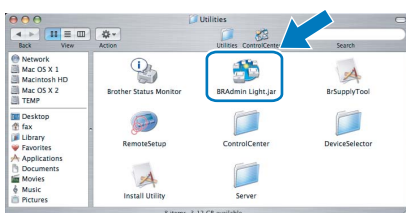
- 1 Double-click the **Macintosh HD** icon on your desktop.



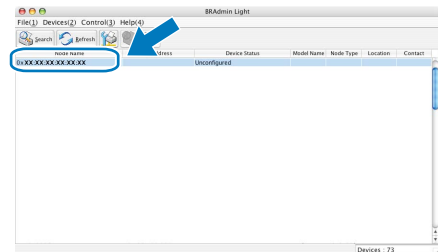
- 2 Choose **Library**, **Printers**, **Brother** and then **Utilities**.



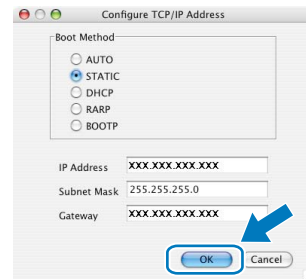
- 3 Double click the file **BRAdmin Light.jar** and run the software. BRAdmin Light will then search for new devices automatically.



- 4 Double-click the unconfigured device.



- 5 Choose **STATIC** for the **Boot Method**. Enter the **IP Address**, **Subnet Mask** and **Gateway**, and then click **OK**.

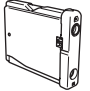
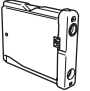
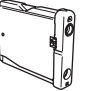


- 6 The address information will be saved to the machine.

## Replacement consumables

When the time comes to replace ink cartridges, an error message will be indicated on the LCD. For more information about the ink cartridges for your machine, visit <http://solutions.brother.com> or contact your local Brother re-seller.

### Ink cartridge

Black	Yellow	Cyan	Magenta
LC960BK	LC960Y	LC960C	LC960M
			

### What is Innobella™?

Innobella™ is a range of genuine consumables offered by Brother. The name "Innobella™" derives from the words "Innovation" and "Bella" (meaning "Beautiful" in Italian) and is a representation of the "innovative" technology providing you with beautiful and long lasting print results.



### **Trademarks**

The Brother logo is a registered trademark of Brother Industries, Ltd.

Brother is a registered trademark of Brother Industries, Ltd.

Multi-Function Link is a registered trademark of Brother International Corporation.

Microsoft and Windows are registered trademarks of Microsoft Corporation in the United States and /or other countries.

Windows Vista is either a registered trademark or trademark of Microsoft Corporation in the United States and /or other countries.

Macintosh and TrueType are registered trademarks of Apple Inc.

Presto! PageManager is a registered trademark of NewSoft Technology Corporation.

PictBridge is a trademark.

FaceFilter Studio is a trademark of Reallusion, Inc.

Each company whose software title is mentioned in this manual has a Software License Agreement specific to its proprietary programs.

**All other brand and product names mentioned in this manual are trademarks or registered trademarks of their respective companies.**

### **Compilation and Publication**

Under the supervision of Brother Industries Ltd., this manual has been compiled and published, covering the latest product descriptions and specifications.

The contents of this manual and the specifications of this product are subject to change without notice.

Brother reserves the right to make changes without notice in the specifications and materials contained herein and shall not be responsible for any damages (including consequential) caused by reliance on the materials presented, including but not limited to typographical and other errors relating to the publication.

### **Copyright and License**

©2007 Brother Industries, Ltd.

This product includes software developed by the following vendors.

©1998-2007 TROY Group, Inc.

©1983-2007 PACIFIC SOFTWARES, INC.



**brother**®

CHN-ENG