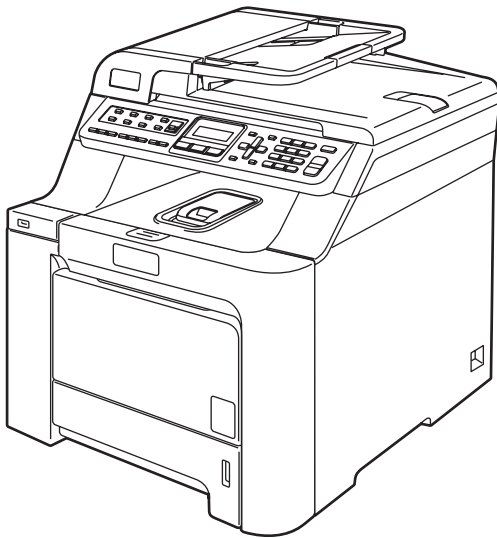


brother®

USER'S GUIDE



MFC-9440CN
MFC-9450CDN

Version 0

CHN-ENG

If you need to call Customer Service

Please complete the following information for future reference:

Model Number: MFC-9440CN and MFC-9450CDN
(circle your model number)

Serial Number: ¹ _____

Date of Purchase: _____

Place of Purchase: _____

¹ **The serial number is on the back of the unit. Retain this User's Guide with your sales receipt as a permanent record of your purchase, in the event of theft, fire or warranty service.**

Approval Information and Compilation and Publication Notice

APPROVAL INFORMATION

Brother advises that this product may not function correctly in a country other than where it was originally purchased, and does not offer any warranty in the event that this product is used on public telecommunication lines in other countries.

Compilation and Publication Notice

Under the supervision of Brother Industries Ltd., this manual has been compiled and published, covering the latest product descriptions and specifications.

The contents of this manual and the specifications of this product are subject to change without notice.

Brother reserves the right to make changes without notice in the specifications and materials contained herein and shall not be responsible for any damages (including consequential) caused by reliance on the materials presented, including but not limited to typographical and other errors relating to the publication.

Table of Contents

Section I General

1	General information	2
	Using the documentation	2
	Symbols and conventions used in the documentation	2
	Accessing the User's Guides	3
	Viewing documentation	3
	Control panel overview	6
	Data LED indications	8
2	Loading paper and documents	9
	Acceptable paper and other media	9
	Recommended paper	9
	Type and size of paper	9
	Handling and using special paper	11
	Unprintable area	14
	Unprintable area for copies	14
	Unprintable area when printing from a computer	15
	Loading paper and envelopes	15
	Loading documents	18
	Using the ADF (automatic document feeder)	18
	Using the scanner glass (Flatbed)	19
3	General setup	20
	Mode timer	20
	Paper settings	20
	Paper type	20
	Paper size	21
	Tray use in copy mode	21
	Tray use in fax mode	22
	Tray use in print mode	22
	Volume settings	23
	Ring volume	23
	Beeper volume	23
	Speaker volume	23
	Ecology features	24
	Toner save	24
	Sleep time	24
	LCD contrast	24
	Setting the fax logic	25
	Dial Prefix	25
4	Security features	26
	Security	26

Setting lock	26
Memory security	27

Section II Fax

5 Sending a fax 30

How to fax.....	30
Entering fax mode	30
Sending a fax from the ADF	30
Sending a fax from the scanner glass	30
Cancelling a fax in progress	31
Broadcasting (black & white only).....	31
Cancelling a broadcast in progress	32
Additional sending operations.....	32
Sending faxes using multiple settings	32
Electronic cover page (black & white only).....	33
Contrast	34
Changing fax resolution	35
Dual access (black & white only).....	35
Real time transmission	36
Overseas mode	36
Delayed fax (black & white only)	37
Delayed batch transmission (black & white only)	37
Checking and cancelling waiting jobs	37
Sending a fax manually	37
Out of memory message	38

6 Receiving a fax 39

Receive modes	39
Choosing the receive mode.....	39
Using receive modes	40
Fax Only	40
Fax/Tel.....	40
Manual.....	40
External TAD	40
Receive mode settings	41
Ring delay.....	41
F/T ring time	41
Fax Detect	41
Setting the print density	42
Additional receiving operations.....	42
Printing a reduced incoming fax	42
Setting the fax receive stamp (black & white only)	43
Receiving faxes into memory(black & white only)	43
Printing a fax from the memory	43

7	Telephone and external devices	44
	Connecting an external TAD.....	44
	Connections.....	44
	Recording an outgoing message (OGM).....	45
	Multi-Line connections (PABX).....	45
	External and extension telephones.....	45
	Operation from extension telephones.....	45
	For Fax/Tel mode only.....	46
	Connecting an external or extension telephone	46
	Using a non-Brother cordless external handset	46
	Using remote codes.....	46
8	Dialling and storing numbers	48
	How to dial	48
	Manual dialling.....	48
	One-touch dialling.....	48
	Speed-dialling	48
	Search	49
	Fax redial	49
	Storing numbers	50
	Storing a pause	50
	Storing one-touch dial numbers.....	50
	Storing speed-dial numbers.....	51
	Changing one-touch and speed-dial numbers.....	51
	Setting up groups for broadcasting.....	52
	Combining quick-dial numbers	53
	Tone or pulse.....	53
9	Remote fax options (black & white only)	54
	Fax forwarding	54
	Fax storage.....	54
	PC fax receive	55
	Changing remote fax options.....	55
	Turning off remote fax options.....	56
	Remote retrieval	56
	Setting a remote access code	56
	Using your remote access code	57
	Retrieving fax messages	57
	Changing the fax forwarding number	58
	Remote fax commands.....	59
10	Polling	60
	Polling receive	60
	Secure polling	60
	Delayed polling	61
	Sequential polling	61
	Polled transmit (black & white only).....	62

Setup for polled transmit.....	62
Setup for polled transmit with a secure code.....	63

11 Printing reports 64

Fax reports.....	64
Transmission verification report.....	64
Fax journal.....	64
Reports.....	65
How to print a report.....	65

Section III Copy

12 Making copies 68

How to copy.....	68
Entering copy mode.....	68
Making a single copy.....	68
Making multiple copies.....	68
Stop copying.....	68
Copy options (temporary settings).....	69
Enlarging or reducing the image copied.....	69
Using the Options key.....	70
Changing copy quality.....	71
Sorting copies using the ADF.....	71
Adjusting brightness, contrast and color.....	72
Making N in 1 copies (page layout).....	73
Tray selection.....	74
Out of memory message.....	75

Section IV Direct printing

13 Printing photos from a digital camera 78

Before using PictBridge.....	78
PictBridge requirements.....	78
Using PictBridge.....	78
Setting your digital camera.....	78
Printing images.....	79
DPOF printing.....	80
Connecting a camera as a storage device.....	80
Understanding the error messages.....	81

14 Printing data from a USB flash memory drive 82

Supported file formats.....	82
Creating a PRN or PostScript® 3™ file for direct printing.....	82
Printing data directly from the USB flash memory drive.....	83
Understanding the error messages.....	84

Section V Software

15	Software and network features	86
	How to read HTML User's Guides	86
	For Windows®	86
	For Macintosh®	86

Section VI Appendixes

A	Safety and legal	88
----------	-------------------------	-----------

	Choosing a location	88
	Important information	89
	Safety precautions	89
	IEC60825-1+A2:2001 Specification	92
	Disconnect device	92
	LAN connection	92
	Radio interference	92
	Important Information	93
	Important safety Instructions	93
	Legal limitations for copying	95
	Trademarks	96

B	Options	97
----------	----------------	-----------

	Optional paper tray	97
	Installing the optional paper tray	97
	Memory board	98
	SO-DIMM types	98
	Installing extra memory	99

C	Troubleshooting and routine maintenance	100
----------	--	------------

	Troubleshooting	100
	Solutions to common problems	100
	Improving the print quality	107
	Setting dial tone detection	118
	Telephone line interference	118
	Error and maintenance messages	119
	Checking if the machine has faxes in its memory	124
	Transferring faxes to another fax machine	124
	Transferring faxes to your PC	124
	Document jams	125
	Paper jams	126
	Paper is jammed underneath Paper Tray 1 or in the fuser unit (MFC-9450CDN only)	134
	Routine maintenance	136
	Cleaning the outside of the machine	136
	Cleaning the scanner	137

	Cleaning the laser scanner windows	138
	Cleaning the corona wires	142
	Cleaning the drum unit	145
	Replacing the consumable items.....	153
	Replacing a toner cartridge	155
	Replacing the drum unit.....	160
	Replacing the belt unit	167
	Replacing the waste toner box	172
	Packing and shipping the machine	177
	Repacking the machine	178
	Machine information	185
	Checking the serial number.....	185
	Checking the page counters.....	185
	Checking the remaining life of parts	185
D	Menu and features	186
	On-screen programming.....	186
	Menu table.....	186
	Memory storage.....	186
	Menu keys	186
	How to access the menu mode	187
	Menu table	188
	Entering text	201
E	Specifications	203
	General.....	203
	Print media.....	205
	Fax.....	206
	Copy	207
	Scan	208
	Print	209
	Interfaces	209
	PictBridge	209
	Direct print feature	210
	Computer requirements	211
	Consumable items	212
	Ethernet wired network.....	213
F	Glossary	214
G	Index	218





General

General information	2
Loading paper and documents	9
General setup	20
Security features	26

Using the documentation

Thank you for buying a Brother machine! Reading the documentation will help you make the most of your machine.

Symbols and conventions used in the documentation

The following symbols and conventions are used throughout the documentation.

Bold	Bold style identifies keys on the machine control panel or computer screen.
<i>Italics</i>	Italicized style emphasizes an important point or refers you to a related topic.
Courier New	Courier New font identifies the messages shown on the LCD of the machine.



Warning icons tell you what to do to avoid the risk of injury.



Electrical Hazard icons alert you to a possible electrical shock.



Hot Surface icons warn you not to touch machine parts that are hot.



Caution icons tell you about procedures you must follow to prevent damaging the machine.



Incorrect setup icons alert you to devices and operations that are not compatible with the machine.



Note icons give useful tips.

Accessing the User's Guides

The printed User's Guide does not contain all the information about your machine. The advanced features of the Printer, Network, Scanner, and PC Fax are explained in the Software and Network User's Guides that you can find on the CD-ROM.

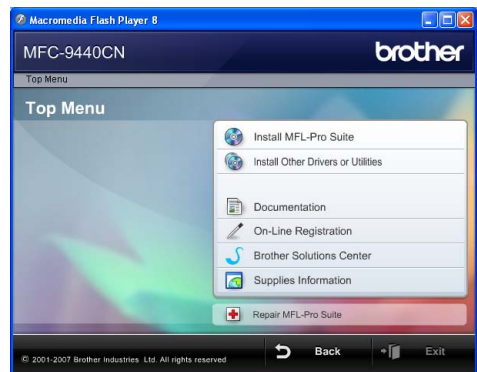
Viewing documentation

Viewing documentation (Windows®)

To view the documentation, from the **Start** menu, point to **Brother, MFC-9440CN** or **MFC-9450CDN** from the program group, and then click **User's Guides in HTML format**.

If you have not installed the software, you can find the documentation by following the instructions below:

- 1 Turn on your PC.
Insert the Brother CD-ROM labelled Windows® into your CD-ROM drive.
- 2 If the language selection screen appears, click your language.
- 3 If the model name screen appears, click your model name. The CD-ROM main menu will appear.



If this window does not appear, use Windows® Explorer to find and run the start.exe program from the root directory of the Brother CD-ROM.

- 4 Click **Documentation**.

- 5 Click the documentation you want to read:
- HTML documents (3 manuals):
HTML User's Guide for stand-alone operations, Software User's Guide and Network User's Guide.
This format is recommended for viewing on your computer.
 - PDF documents (4 manuals):
PDF User's Guide for stand-alone operations, Software User's Guide, Network User's Guide and Quick Setup Guide.
This format is recommended for printing the manuals. Click to go to the Brother Solutions Center, where you can view or download the PDF documents. (Internet access and PDF Reader software are required.)

How to find scanning instructions

There are several ways you can scan documents. You can find the instructions as follows:

Software User's Guide:

- Scanning a document using the TWAIN driver in Chapter 2
- Scanning a document using the WIA driver (For Windows® XP/Windows Vista™) in Chapter 2
- Using ControlCenter3 in Chapter 3
- Network Scanning in Chapter 4

Presto!® PageManager® User's Guide:

- The complete Presto!® PageManager® User's Guide can be viewed from the Help selection in the Presto!® PageManager® application.

Viewing documentation (Macintosh®)

- 1 Turn on your Macintosh®. Insert the Brother CD-ROM labelled Macintosh® into your CD-ROM drive.
- 2 The following window will appear.



- 3 Double-click the **Documentation** icon.
- 4 If the language selection screen appears, double-click your language.
- 5 Double-click the top page file to view the User's Guide, Software User's Guide and Network User's Guide in HTML format.
- 6 Click the documentation you want to read.
 - User's Guide
 - Software User's Guide
 - Network User's Guide

**Note**

The documents are also available in PDF format (4 manuals):

PDF User's Guide for stand-alone operations, Software User's Guide, Network User's Guide and Quick Setup Guide.

The PDF format is recommended for printing the manuals.

Double-click **Brother Solutions Center** icon to go to the Brother Solutions Center, where you can view or download the PDF documents. (Internet access and PDF Reader software are required.)

How to find scanning instructions

There are several ways you can scan documents. You can find the instructions as follows:

Software User's Guide:

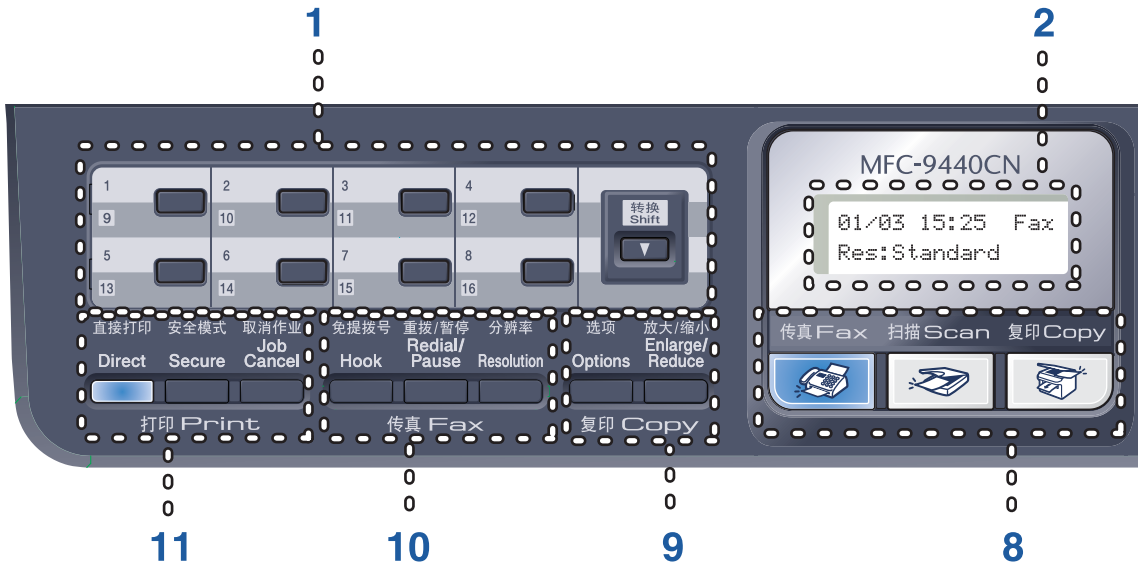
- Scanning in Chapter 9
- Using ControlCenter2 in Chapter 10
- Network Scanning in Chapter 11

Presto!® PageManager® User's Guide:

- The complete Presto!® PageManager® User's Guide can be viewed from the Help selection in the Presto!® PageManager® application.

Control panel overview

MFC-9440CN and MFC-9450CDN have similar control keys.



1 One-Touch keys

These 8 keys give you instant access to 16 previously stored numbers.

Shift

Lets you access One-Touch numbers 9 to 16 when held down.

2 LCD

Displays messages to help you set up and use your machine.

3 Data LED

The LED will flash depending on the machine status.

4 Menu keys:

Menu

Lets you access the Menu to program your settings in this machine.

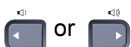
Clear/Back

Deletes entered data or lets you cancel the current setting.

OK

Lets you store your settings in the machine or select an item.

Volume keys



Press to scroll backwards or forwards through menu selections. Press to change the volume when in fax or standby mode.

▲ or ▼

Press to scroll through the menus and options.

▼ Search/Speed Dial

Lets you look up and dial numbers that are in the quick-dial memory.

You can search the stored number alphabetically by pressing

▼ Search/Speed Dial twice.

5 Dial pad

Use these keys to dial telephone and fax numbers and as a keyboard for entering information into the machine.

The # key temporarily switches the dialling mode from Pulse to Tone during a telephone call.

6 Stop/Exit

Stops an operation or exits from a menu.

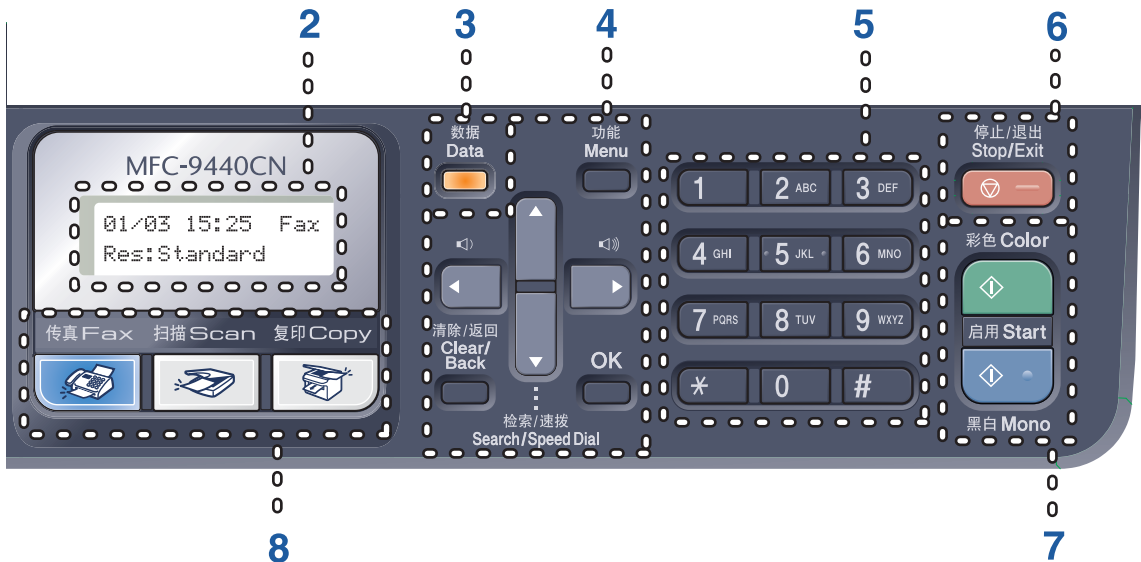
7 Start:

Color

Lets you start sending faxes or making copies in full color.

Mono

Lets you start sending faxes or making copies in black & white.

**8 Mode keys:****Fax**

Puts the machine in Fax mode.

**Scan**Puts the machine in Scan mode. (For details about scanning, see the *Software User's Guide on the CD-ROM*.)**Copy**

Puts the machine in Copy mode.

9 Copy keys:**Options**

Lets you temporarily change multiple copy settings.

Enlarge/Reduce

Reduces or enlarges copies.

10 Fax and telephone keys:**Hook**

Lets you answer an incoming call on an external telephone.

Redial/Pause

Redials the last number called. It also inserts a pause when programming quick dial numbers.

Resolution

Sets the resolution when sending a fax.




11 Print keys:**Direct**Lets you print from a USB flash memory drive or Pictbridge compatible camera connected directly to the machine. (See *Printing data directly from the USB flash memory drive* on page 83.)**Secure**You can print data saved in memory when you enter your four-digit password. (For details about using the Secure key, see the *Software User's Guide on the CD-ROM*.)**Job Cancel**

Cancels a programmed print job and clears print data in machine's memory.

Data LED indications

The **Data** LED (light emitting diode) will flash and turn on or off depending on the machine's status.



LED	LED Status	Machine Status	Description
	LED is off.	Ready Mode	The power switch is off or there is no print data in the machine.
	LED is on.	Data Remaining in Memory	Print data remains in the machine memory.
	LED is blinking.	Receiving Data	The machine is either receiving data from the computer, processing data in memory, or printing.

Acceptable paper and other media

Recommended paper

To get the best print quality, we suggest using the following paper.

Paper Type	Item
Plain paper	APP Blue Flagship 70g/m ²
	APP Gold Flagship 80g/m ²
	Advanced Agro Double A 80g/m ²
Labels	Avery laser label L7 163

Print quality may vary according to the type of paper you are using.

You can use the following types of media: plain paper, labels or envelopes.

For best results, follow the steps below:

- Use paper made for plain paper copying.
- Use paper that is 75 to 90 g/m².
- Use labels which are designed for use in laser printers.
- Avoid touching the printed surface of the paper immediately after printing.
- Use long grain paper with a neutral Ph value, and a moisture content of approx 5%.

We recommend using “3M Transparency Film” when you print on transparencies.

CAUTION

DO NOT load envelopes, labels or thick paper (more than 105 g/m²) into the paper tray or optional lower tray. It may cause paper jams.

Type and size of paper

The machine loads paper from the installed standard paper tray, multi-purpose tray, or optional lower tray.

Standard paper tray

Since the standard paper tray is a universal type, you can use any of the paper sizes (one paper type and size at a time) listed in the table in *Paper capacity of the paper trays* on page 10. The standard paper tray can hold up to 250 sheets of Letter/A4, legal and folio size paper (80 g/m²). Paper can be loaded up to the maximum paper mark on the sliding paper width guide.

Multi-purpose tray (MP tray)

The MP tray can hold up to 50 sheets of paper (80 g/m²) or up to 3 envelopes. Paper can be loaded up to the maximum paper mark on the sliding paper width guide.

Optional lower tray (LT-100CL)

The optional lower tray can hold up to 500 sheets of Letter/A4, legal and folio size paper (80 g/m²). Paper can be loaded up to the top line of the maximum paper mark on the sliding paper width guide.

The names for the paper trays in the printer driver and this Guide are as follows:

Tray and optional unit	Name
Standard paper tray	Tray 1
Optional lower tray	Tray 2
Multi-purpose tray	MP tray

Paper capacity of the paper trays

	Paper size	Paper types	No. of sheets
Paper Tray (Tray #1)	A4, Letter, Legal, Executive, A5, A6, B5, B6 and Folio ¹	Plain paper and Recycled paper	up to 250 (80 g/m ²)
Multi-purpose tray (MP tray)	Width: 69.9 to 215.9 mm (2.75 to 8.5 in.) Length: 116.0 to 406.4 mm (4.57 to 16.0 in.)	Plain paper, Thick paper, Recycled paper, Bond paper, Envelope and Labels	up to 50 (plain paper) (80 g/m ²) up to 3 (envelopes)
Paper Tray (Tray #2)	A4, Letter, Legal, Executive, A5, B5, B6 and Folio ¹	Plain paper and Recycled paper	up to 500 (80 g/m ²)

¹ Folio size is 8 in. × 13 in.

Recommended paper specifications

The following paper specifications are suitable for this machine.

Basis weight (g/m ²)	75-90
Thickness (µm)	80-110
Roughness (sec.)	Higher than 20
Stiffness (cm ³ /100)	90-150
Grain direction	Long grain
Volume resistivity (ohm)	10e ⁹ -10e ¹¹
Surface resistivity (ohm-cm)	10e ⁹ -10e ¹²
Filler	CaCO ₃ (Neutral)
Ash content (wt%)	Below 23
Brightness (%)	Higher than 80
Opacity (%)	Higher than 85

Handling and using special paper

The machine is designed to work well with most types of xerographic and bond paper. However, some paper variables may have an effect on print quality or handling reliability. Always test samples of paper before purchasing to ensure desirable performance. Store paper in its original packaging and keep it sealed. Keep the paper flat and away from moisture, direct sunlight and heat.

Some important guidelines when selecting paper are:

- Do not use inkjetpaper because it may cause a paper jam or damage your machine. Your supplier should be informed that the paper or envelopes will be used in a color laser machine.
- Preprinted paper must use inks that can withstand the temperature of the machine's fusing process (200 degrees centigrade for a period of 0.1 seconds).
- If you have selected a cotton bond paper, paper having a rough surface, such as cockle or laid finished paper or paper that is wrinkled or puckered, the paper may exhibit degraded performance.

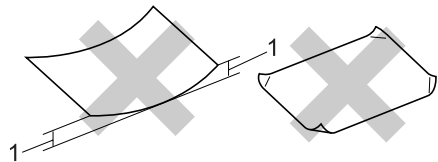
Types of paper to avoid

! CAUTION

Some types of paper may not perform well or may cause damage to your machine.

DO NOT use paper:

- that is highly textured
- that is extremely smooth or shiny
- that is curled or warped



1 2 mm or greater

- that is coated or has a chemical finish
- that is damaged, creased or folded
- that exceeds the recommended weight specification in this guide
- with tabs and staples
- with letterheads using low temperature dyes or thermography
- that is multipart or carbonless
- that is designed for inkjet printing

If you use any of the types of paper listed above, they may damage your machine. This damage is not covered under any Brother warranty or service agreement.

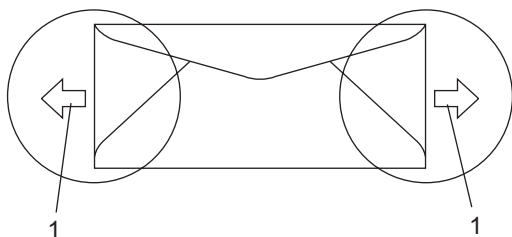
Envelopes

Most envelopes will be suitable for your machine. However, some envelopes may have print-quality problems because of the way they have been made. A suitable envelope should have edges with straight, well-creased folds and the leading edge should not be thicker than two pieces of paper. The envelope should lie flat and not be of baggy or flimsy construction. You should buy quality envelopes from a supplier who understands that you will be using the envelopes in a laser machine.

Envelopes can only be fed from the MP tray.

Before you put envelopes in the tray, check the following:

- Envelopes should have a lengthwise sealing flap.
- The sealing flaps should be folded crisply and correctly (irregularly cut or folded envelopes may cause paper jams).
- Envelopes should have two layers of paper in the areas circled below.



1 Feeding direction



Note

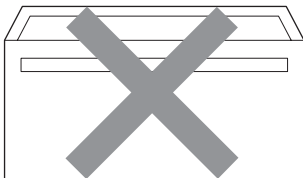
- Before you print envelopes, you must 'fan' the stack to avoid paper jams and misfeeds.
- Before you print a lot of envelopes, test one to make sure that the print results are what you want.
- Envelope joints that are sealed by the manufacturer should be secure.
- DO NOT put different types of paper in the paper tray at the same time because it may cause paper jams or misfeeds.
- For proper printing, you must choose the same paper size from your software application as the paper in the tray.
- We recommend that you do not print within 15 mm of the edges of the envelopes.
- See *Acceptable paper and other media* on page 9.

Types of envelopes to avoid

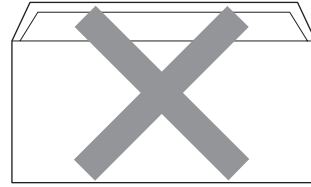
! CAUTION

DO NOT use envelopes:

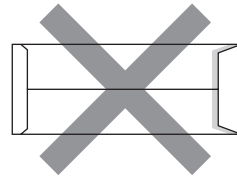
- that are damaged, curled, wrinkled or an unusual shape
- that are extremely shiny or textured
- with clasps, staples, snaps or tie strings
- with self-adhesive closures
- that are of a baggy construction
- that are not sharply creased
- that are embossed (have raised writing on them)
- that were previously printed by a laser machine
- that are pre-printed on the inside
- that cannot be arranged neatly when stacked
- that are made of paper that weighs more than the paper weight specifications for the machine
- with edges that are not straight or consistently square
- with windows, holes, cut-outs or perforations
- with glue on the surface as shown in the figure below



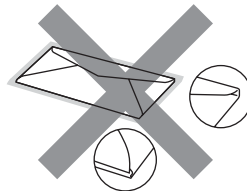
- with double flaps as shown in the figure below



- with sealing flaps that have not been folded at purchase
- with sealing flaps as shown in the figure below



- with each side folded as shown in the figure below



If you use any of the types of envelopes listed above, they may damage your machine. This damage is not covered under any Brother warranty or service agreement.

Occasionally you may experience paper feed problems caused by the thickness, size and flap shape of the envelopes you are using.

Labels

The machine will print on most types of labels designed for use with a laser machine. Labels should have an adhesive that is acrylic-based since this material is more stable at the high temperatures in the fuser unit. Adhesives should not come in contact with any part of the machine, because the label stock may stick to the belt unit or rollers and cause jams and print quality problems. No adhesive should be exposed between the labels. Labels should be arranged so that they cover the entire length and width of the sheet. Using labels with spaces may result in labels peeling off and causing serious jams or print problems.

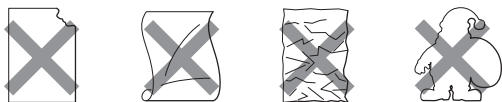
All labels used in this machine must be able to withstand a temperature of 392 degrees Fahrenheit (200 degrees centigrade) for a period of 0.1 seconds.

Label sheets should not exceed the paper weight specifications described in this User's Guide. Labels exceeding this specification may not feed or print properly and may cause damage to your machine.

Labels can be fed from the MP tray only.

Types of labels to avoid

Do not use labels that are damaged, curled, wrinkled or an unusual shape.



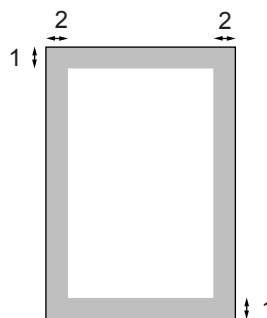
CAUTION

DO NOT feed part used label sheets. The exposed carrier sheet will damage your machine.

Unprintable area

Unprintable area for copies

The printable area begins at approximately 4 mm (0.16 in.) from the top and bottom and 3 mm (0.12 in.) from both sides of the paper.



1 4 mm

2 3 mm



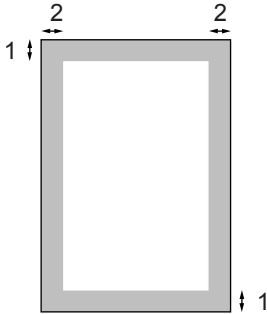
Note

This unprintable area shown above is for a single copy or a 1 in 1 copy using A4 size paper. The unprintable area changes with the paper size.

Unprintable area when printing from a computer

When using the default driver the printable area is smaller than the paper size, as shown below.

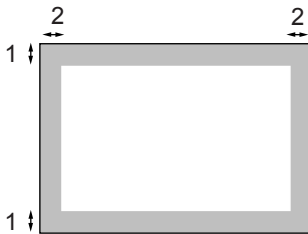
Portrait



1 4.23 mm

2 4.23 mm

Landscape



1 4.23 mm

2 4.23 mm



Note

The unprintable area shown above is for A4 size paper. The unprintable area changes with the paper size.

Loading paper and envelopes

The machine can feed paper from the standard paper tray, optional lower tray or multi-purpose tray.

When printing on plain paper 60 to 105 g/m² use the paper tray.

For printing on other types of media use the MP tray (multi-purpose tray).

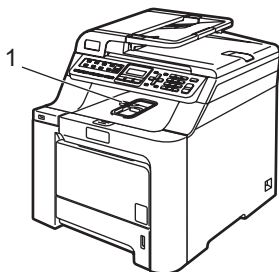
When you put paper into the paper tray, note the following:

- If your application software supports paper size selection on the print menu, you can select it through the software. If your application software does not support it, you can set the paper size in the printer driver or by using the control panel buttons.
- Before using paper that has holes in it, such as organizer sheets, you must 'fan' the stack to avoid paper jams and misfeeds.

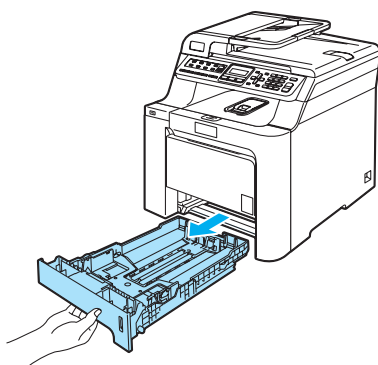


Loading plain paper in the paper tray

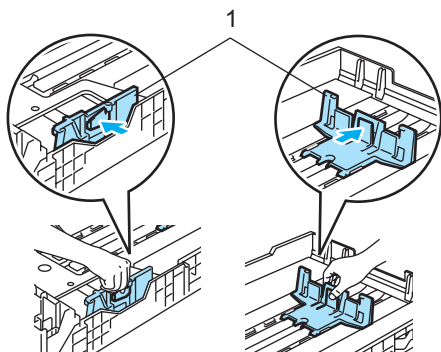
- 1 Unfold the output paper tray support flap (1).



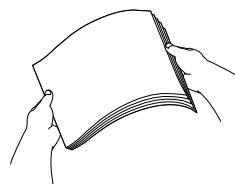
- 2 Pull the paper tray completely out of the machine.



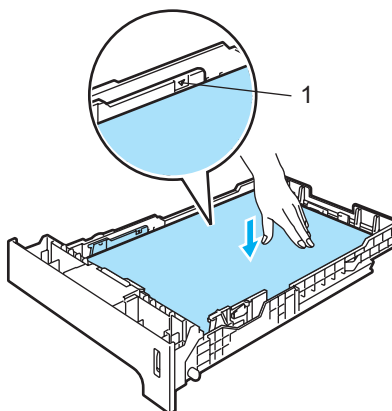
- 3 While pressing the green paper-guide release lever (1), slide the paper guides to fit the paper size. Make sure that the guides are firmly in the slots.



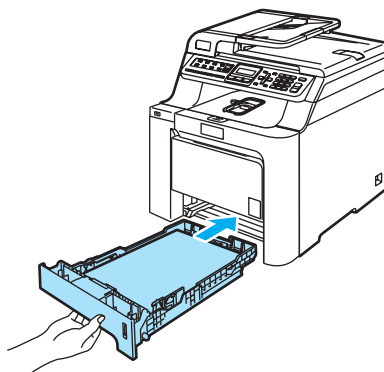
- 4 Fan the stack of paper well to avoid paper feeding problems.



- 5 Put the paper into the paper tray with the top edge of the paper in first and the print side face down. Make sure that the paper is flat in the tray and below the maximum paper mark (1).



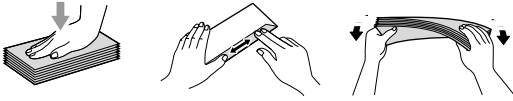
- 6 Push the paper tray firmly back into the machine.



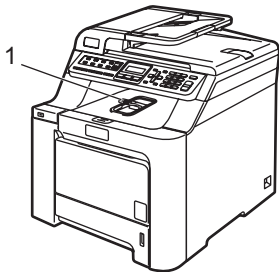
Loading envelopes or other media in the multi-purpose tray (MP tray)

Use the MP tray when printing envelopes, labels, and thick paper.

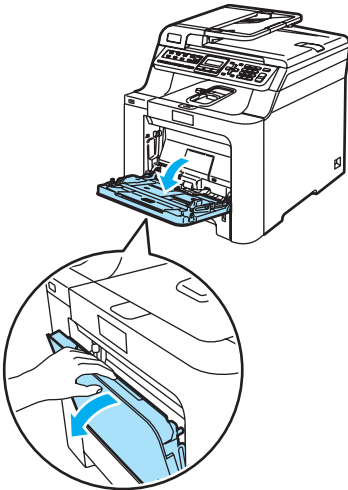
Before loading, press the corners and sides of the envelopes to make them as flat as possible.



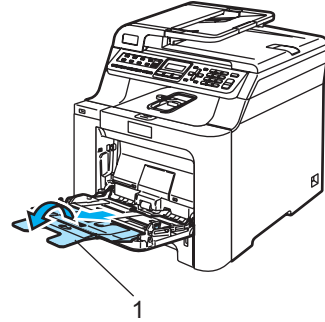
- 1 Unfold the output paper tray support flap (1).



- 2 Open the MP tray and lower it gently.



- 3 Pull out the MP tray support flap (1).



- 4 Put the envelopes (up to 3) or media in the MP tray with the top edge first and the print side face up.

Loading documents

You can send a fax, make copies, and scan from the ADF (automatic document feeder) and from the scanner glass. (Flatbed)

Using the ADF (automatic document feeder)

The ADF can hold up to 35 pages and feeds each sheet individually. Use standard 80 g/m² paper and always fan the pages before putting them in the ADF.

! CAUTION

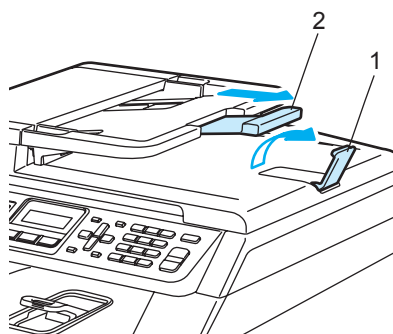
DO NOT leave thick documents on the scanner glass. If you do this, the ADF may jam.

DO NOT use paper that is curled, wrinkled, folded, ripped, stapled, paper-clipped, pasted or taped.

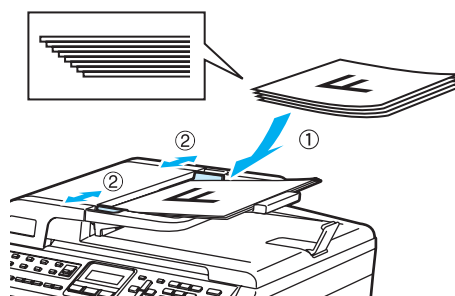
DO NOT use cardboard, newspaper or fabric with the ADF. Instead use the scanner glass.

- Make sure documents written with ink are completely dry.
- Documents to be faxed must be from 147.3 to 215.9 mm (5.8 to 8.5 inches) wide and 147.3 to 356 mm (5.8 to 14 inches) long, and of a standard weight (80 g/m²).

- 1 Unfold the ADF document output support flap (1) and the ADF support flap (2).



- 2 Fan the pages well.
- 3 Place your document, face up top edge first, in the ADF until you feel it touch the feed roller.
- 4 Adjust the paper guides to fit the width of your document.



! CAUTION

To avoid damaging your machine while using the ADF, DO NOT pull on the document while it is feeding.

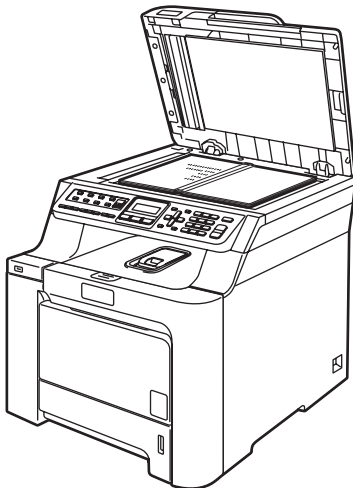
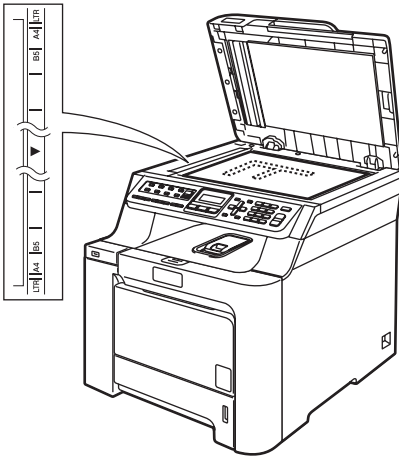
To scan non-standard documents see *Using the scanner glass (Flatbed)* on page 19.

Using the scanner glass (Flatbed)

You can use the scanner glass to fax, scan, or copy the pages of a book or one page at a time. Documents can be up to 215.9 mm wide to 297 mm long (8.5 inches wide to 11.7 inches long).

To use the scanner glass, the ADF must be empty.

- 1 Lift the document cover.
- 2 Using the document guidelines on the left, center the document face down on the scanner glass.



- 3 Close the document cover.

! CAUTION

If the document is a book or is thick, DO NOT slam the cover or press on it.

3

General setup

Mode timer

The machine has three mode keys on the control panel: **Fax**, **Scan**, and **Copy**.

You can set how much time the machine takes after the last Copy or Scan operation to return to Fax mode default. If you choose **Off**, the machine will stay in the mode you used last.

传真 Fax 扫描 Scan 复印 Copy



- 1 Press **Menu**, **1**, **1**

```
General Setup
1.Mode Timer
```

- 2 Press **▲** or **▼** to choose **0 Sec**, **30 Secs**, **1 Min**, **2 Mins**, **5 Mins** or **Off**. Press **OK**.
- 3 Press **Stop/Exit**.

Paper settings

Paper type

Set up the machine for the type of paper you are using. This will give you the best print quality.

- 1 Do one of the following:
 - To set the paper type for the MP Tray press **Menu**, **1**, **2**, **1**.
 - To set the paper type for Tray#1 press **Menu**, **1**, **2**, **2**.
 - To set the paper type for Tray#2 press **Menu**, **1**, **2**, **3** if you installed the optional tray.

```
Paper Type
1.MP Tray
```

- 2 For Tray#1 and Tray#2, press **▲** or **▼** to choose **Plain**, **Plain(Thick)** or **Recycled Paper**. For MP Tray press **▲** or **▼** to choose **Plain**, **Plain(Thick)**, **Thick**, **Thicker** or **Recycled Paper**. Press **OK**.
- 3 Press **Stop/Exit**.

Paper size

You can use nine sizes of paper for printing copies: A4, Letter, Legal, Executive, A5, A6, B5, B6 and Folio, and four sizes for printing faxes: A4, Letter, Legal or Folio (8"×13").

When you change the size of paper in the tray, you will also need to change the setting for paper size at the same time so your machine can fit the document or an incoming fax on the page.

- 1 Do one of the following:
 - To set the paper size for the MP Tray press **Menu, 1, 3, 1**.
 - To set the paper size for Tray#1 press **Menu, 1, 3, 2**.
 - To set the paper size for Tray#2 press **Menu, 1, 3, 3** if you installed the optional tray.

```
Paper Size
1.MP Tray
```

- 2 Press **▲** or **▼** to choose A4, Letter, Legal, Executive, A5, A6, B5, B6, Folio or Any. Press **OK**.
- 3 Press **Stop/Exit**.



Note

- Any (size) appears only when you choose the MP tray (**Menu, 1, 3, 1**).
- If you choose Any for the MP Tray Paper Size, you must choose MP Only for the Tray Use setting.
- You cannot use the Any Paper Size option for the MP tray when making N in 1 copies. You must choose one of the other available Paper Size selections for the MP tray.
- A6 size is not available for the optional Tray #2.

Tray use in copy mode

You can change the priority tray that the machine will use for printing copies.

When you choose Tray#1 Only, MP Only or Tray#2 Only¹, the machine loads the paper only from that tray. If the selected tray is out of paper, No Paper will appear on the LCD. Insert the paper in the empty tray.

To change the tray setting follow the instructions below:

- 1 Press **Menu, 1, 6, 1**.


```
Tray Use
1.Copy
```
- 2 Press **▲** or **▼** to choose Tray#1 Only, Tray#2 Only¹, MP Only, MP>T1>T2¹ or T1>T2¹>MP. Press **OK**.

¹ Tray#2 Only or T2 appears only if the optional tray is installed.

- 3 Press **Stop/Exit**.



Note

- The ADF can detect the document size. When loading the documents from the ADF and MP>T1>T2 or T1>T2>MP is selected, the machine looks for the tray with the most suitable paper size and pulls paper from that tray.
- When using the scanner glass, your document is copied from the higher priority tray even if more suitable paper is in another paper tray.

Tray use in fax mode

You can change the default tray that the machine will use for printing received faxes.

When you choose **Tray#1 Only**, **MP Only** or **Tray#2 Only**¹, the machine loads the paper only from that tray. If the selected tray is out of paper, **No Paper** will appear on the LCD. Insert the paper in the empty tray.

When you choose **T1>T2**¹>**MP**, the machine takes paper from **Tray #1** until it is empty, then from **Tray #2**, and then from the **MP** tray.

When you choose **MP>T1>T2**¹, the machine takes paper from the **MP** tray until it is empty, then from **Tray #1**, and then from **Tray #2**.



Note

- You can use four sizes of paper for printing faxes: A4, Letter, Legal or Folio. When a suitable size is not in any of the trays received faxes will be stored in the machine's memory and **Check Paper Size** will appear on the LCD. (For details, see *Error and maintenance messages* on page 119.)
- If the tray is out of paper and received faxes are in the machine's memory, **No Paper** will appear on the LCD. Insert paper in the empty tray.



Press **Menu**, **1**, **6**, **2**.

Tray Use
2.Fax



Press **▲** or **▼** to choose **Tray#1 Only**, **Tray#2 Only**, **MP Only**, **MP>T1>T2**¹ or **T1>T2**¹>**MP**. Press **OK**.

¹ **Tray#2 Only** or **T2** appears only if the optional tray is installed.



Press **Stop/Exit**.

Tray use in print mode

You can change the default tray the machine will use for printing from your computer.



Press **Menu**, **1**, **6**, **3**.

Tray Use
3.Print



Press **▲** or **▼** to choose **Tray#1 Only**, **Tray#2 Only**¹, **MP Only**, **MP>T1>T2**¹ or **T1>T2**¹>**MP**. Press **OK**.

¹ **Tray#2 Only** or **T2** appears only if the optional tray is installed.



Press **Stop/Exit**.



Note



- The setting in the printer driver will take priority over the setting made on the control panel.
- If the control panel is set to **Tray#1 Only**, **MP Only** or **Tray#2 Only**¹ and you choose **Auto Select** in the printer driver, the machine loads the paper from that tray.

¹ **Tray#2 Only** appears only if the optional tray is installed.

Volume settings

Ring volume

You can choose a ring volume level from a range of settings, from *High* to *Off*.

While in Fax mode press  or  to adjust the volume level. The LCD shows the current setting, and each key press will change the volume to the next level. The machine will keep the new setting until you change it.

You can also change the ring volume through the menu:

- 1 Press **Menu, 1, 4, 1.**

```
Volume
1. Ring
```

- 2 Press **▲** or **▼** to choose *Off*, *Low*, *Med* or *High*.
Press **OK**.

- 3 Press **Stop/Exit**.

Beeper volume

When the beeper is on, the machine will beep when you press a key, make a mistake, or after you send or receive a fax. You can choose a range of volume levels, from *High* to *Off*.

- 1 Press **Menu, 1, 4, 2.**

```
Volume
2. Beeper
```

- 2 Press **▲** or **▼** to choose *Off*, *Low*, *Med* or *High*.
Press **OK**.

- 3 Press **Stop/Exit**.

Speaker volume

You can choose a range of speaker volume levels, from *High* to *Off*.

You can change the speaker volume through the menu:

- 1 Press **Menu, 1, 4, 3.**

```
Volume
3. Speaker
```

- 2 Press **▲** or **▼** to choose *Off*, *Low*, *Med* or *High*.
Press **OK**.

- 3 Press **Stop/Exit**.

Ecology features

Toner save

You can save toner using this feature. When you set toner save to *On*, print appears lighter. The default setting is *Off*.

- 1 Press **Menu**, **1**, **5**, **1**.

```
Ecology
1.Toner Save
```

- 2 Press **▲** or **▼** to choose *On* (or *Off*). Press **OK**.

- 3 Press **Stop/Exit**.



Note

We DO NOT recommend Toner Save for printing Photo or Grey Scale images.

Sleep time

Setting the sleep time reduces power consumption by turning off the fuser while the machine is idle.

You can choose how long the machine must be idle (from 000 to 240 minutes) before it goes into sleep mode. When the machine receives a fax, computer data, or makes a copy, the timer will be reset. The default setting is 005 minutes.

While the machine is in sleep mode the LCD will display *Sleep*. When printing or copying in sleep mode, there will be a short delay while the fuser warms up.

- 1 Press **Menu**, **1**, **5**, **2**.

```
Ecology
2.Sleep Time
```

- 2 Enter the length of time the machine is idle before entering sleep mode (000 to 240). Press **OK**.

- 3 Press **Stop/Exit**.

LCD contrast

You can change the contrast to make the LCD look lighter or darker.

- 1 Press **Menu**, **1**, **7**.

```
General Setup
7.LCD Contrast
```

- 2 Press **▲** to make the LCD darker. Or, press **▼** to make the LCD lighter. Press **OK**.

- 3 Press **Stop/Exit**.

Setting the fax logic

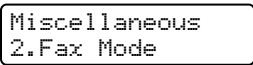
You can change the transmission process when you send or receive the fax manually with an external telephone.

Easy mode:

	Call Out	Receives Call
Documents in the ADF	Send the faxes by pressing Start	Send the faxes by pressing Start
No documents in the ADF or Documents on the scanner glass	Send the faxes by pressing Start	Receive the faxes by pressing Start

Advanced mode:

	Call Out	Receives Call
Documents in the ADF	Send the faxes by pressing Start	Send the faxes by pressing Start
No documents in the ADF or Documents on the scanner glass	Press Start , and then you can select: 1. Send 2. Receive	Press Start , and then you can select: 1. Send 2. Receive

- 1 Press **Menu, 2, 0, 2**.

- 2 Press **▲** or **▼** to select **Advanced Mode** or **Easy Mode**. Press **OK**.
- 3 Press **Stop/Exit**.

Dial Prefix

The dial prefix setting will automatically dial a predefined number before every fax number you dial. For example: If your telephone system requires a 9 to dial an outside number use this setting to automatically dial 9 for every fax you send.

- 1 Press **Menu, 0, 6**.
- 2 Press **▲** or **▼** to choose **On** or **Off**. Press **OK**.
 - If you chose **On**, go to 3.
 - If you chose **Off**, go to 5.
- 3 Press **1** or **2** to choose **1. Change** or **2. Exit**.
 - If you chose **1. Change**, go to 4.
 - If you chose **2. Exit**, go to 5.
- 4 Enter the prefix number (up to 5 digits) on the dial pad. Press **OK**.



Note

- You can use the numbers 0 to 9, #, * and !. (Press **Hook** to display "!".)
You cannot use ! with any other numbers or characters.
- If the pulse dialing mode is on, # and * are not available to use.

- 5 Press **Stop/Exit**.

4

Security features

Security

You can set up your machine with multiple levels of security using Setting Lock and Memory Security. You will not be able to continue to schedule Delayed Faxes or Polling jobs. However, any prescheduled Delayed Faxes will be sent even if you turn on Memory Security, so they won't be lost.

Setting lock

Setting Lock lets you set a password to stop other people from accidentally changing your machine settings.

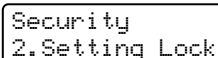
Make a careful note of your password. If you forget it, please call your Brother dealer.

While Setting Lock is **On**, you cannot change the following settings without a password:

- Date/Time
- Station ID
- Quick-Dial settings
- Mode Timer
- Paper Type
- Paper Size
- Volume
- Daylight Save
- Ecology
- Tray Use
- LCD Contrast
- Setting Lock
- Memory Security

Setting up the password

- 1 Press **Menu**, **1**, **8**, **2**.

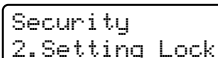


Security
2.Setting Lock

- 2 Enter a four-digit number for the password using unumbers 0-9, * or #.
Press **OK**.
- 3 Re-enter your password when the LCD shows *Verify:.*
Press **OK**.
- 4 Press **Stop/Exit**.

Changing your setting lock password

- 1 Press **Menu**, **1**, **8**, **2**.



Security
2.Setting Lock

- 2 Press **▲** or **▼** to choose *Set Password*.
Press **OK**.
- 3 Enter your four-digit password.
Press **OK**.
- 4 Enter a four-digit number for the new password.
Press **OK**.
- 5 Re-enter your new password when the LCD shows *Verify:.*
Press **OK**.
- 6 Press **Stop/Exit**.

Turning setting lock on/off

If you enter the wrong password when following the instructions below, the LCD will show *Wrong Password*. Re-enter the correct password.

Turning setting lock on

- 1 Press **Menu**, **1**, **8**, **2**.

```
Security
2.Setting Lock
```

- 2 Press **▲** or **▼** to choose **On**.
Press **OK**.
- 3 Enter your four-digit password.
Press **OK**.
- 4 Press **Stop/Exit**.

Turning setting lock off

- 1 Press **Menu**, **1**, **8**, **2**.

```
Security
2.Setting Lock
```

- 2 Enter your four-digit password.
Press **OK** twice.
- 3 Press **Stop/Exit**.

Memory security

Memory Security lets you prevent unauthorized access to the machine.

While Memory Security is on, the following operations are available:

- Receiving faxes into memory (limited by memory capacity)
- Fax Forwarding (if Fax Forwarding was already on)
- Remote Retrieval (if Fax Storage was already on)

While Memory Security is on, the following operations are NOT available:

- Printing received faxes
- Sending faxes
- Copying
- PC printing
- Scanning
- PC Fax Receive



Note

- To print the faxes in memory, turn off Memory Security.
- You must turn off PC Fax Receive before you can turn on Memory Security. (See *Turning off remote fax options* on page 56.)

Setting up the password



Note

- If you have already set the password, you will not need to set it, again.
- If you forget the Memory Security password, please call your Brother dealer.

- 1 Press **Menu**, **1**, **8**, **1**.

```
Security
1.Mem Security
```

- 2 Enter a four-digit number for the password.
Press **OK**.
- 3 Re-enter your password when the LCD shows `Verify:.`
Press **OK**.
- 4 Press **Stop/Exit**.

Changing your memory security password

- 1 Press **Menu**, **1**, **8**, **1**.

```
Security
1.Mem Security
```

- 2 Press **▲** or **▼** to choose `Set Password`.
Press **OK**.
- 3 Enter your four-digit password.
Press **OK**.
- 4 Enter a four-digit number for the new password.
Press **OK**.
- 5 Re-enter your new password when the LCD shows `Verify:.`
Press **OK**.
- 6 Press **Stop/Exit**.

Turning memory security on/off

If you enter the wrong password when following the instructions below, the LCD will show `Wrong Password`. Re-enter the correct password.

Turning memory security on

- 1 Press **Menu**, **1**, **8**, **1**.

```
Security
1.Mem Security
```

- 2 Press **▲** or **▼** to choose `Set Security`.
Press **OK**.
- 3 Enter the registered four-digit password.
Press **OK**.
The machine goes offline and the LCD shows `Secure Mode`.



Note

If there is a power failure faxes will remain in memory for up to 4 days.

Turning memory security off

- 1 Press **Menu**.
Enter the registered four-digit password.
Press **OK**.
- 2 Memory Security is automatically turned off and the LCD shows the date and time.



Note

If you enter the wrong password, the LCD shows `Wrong Password` and stays offline. The machine will stay in `Secure Mode` until the registered password is entered.



Fax

Sending a fax	30
Receiving a fax	39
Telephone and external devices	44
Dialling and storing numbers	48
Remote fax options (black & white only)	54
Polling	60
Printing reports	64

5

Sending a fax


How to fax

Entering fax mode

To enter fax mode press  (Fax), and the key will glow blue.

Sending a fax from the ADF

Using the ADF to send your faxes is the easiest way.

- 1 Make sure you are in Fax mode .
- 2 Put your document *face up* in the ADF.
- 3 Dial the fax number. (See *How to dial* on page 48.)
- 4 Press **Mono Start** or **Color Start**.
 - If you press **Mono Start**, the machine scans the pages into memory and then sends the document.
 - If you press **Color Start**, the machine starts dialling and sends the document in real time.




Note

- To cancel a fax in progress press **Stop/Exit**.
- If the *Out of Memory* message appears while scanning a B&W document into memory, press **Stop/Exit** to cancel or **Mono Start** to send the scanned pages.

Sending a fax from the scanner glass

You can use the scanner glass to fax the pages of a book, or a single page at a time. The documents can be up to Letter or A4 size. You can only send single page color faxes from the scanner glass.

- 1 Make sure you are in Fax mode .
- 2 Put your document *face down* on the scanner glass.
- 3 Dial the fax number. (See *How to dial* on page 48.)
- 4 Press **Mono Start** or **Color Start**.
 - If you press **Mono Start**, the machine starts scanning the first page. Go to 5.
 - If you press **Color Start**, the machine starts scanning and sending. Go to 7.
- 5 After the machine scans the page, the LCD will prompt you to choose one of the options below:

```
Next Page?  
1.Yes 2.No(Send)
```

 - Press **1** to send another page. Go to 6.
 - Press **2** or **Mono Start** to send the document. Go to 7.
- 6 Place the next page on the scanner glass, press **OK**. Repeat 5 and 6 for each additional page.

```
Set Next Page  
Then Press OK
```
- 7 Your machine will automatically send the fax.

**Note**

- Press **Stop/Exit** to cancel a fax in progress.
- When faxing multiple pages from the scanner glass, real time transmission should be set to **Off**.

Cancelling a fax in progress

Press **Stop/Exit** to cancel a fax in progress. If the machine is already dialling or sending the fax you will also need to press **1** to confirm.


Broadcasting (black & white only)

Broadcasting lets you send the same fax message to more than one fax number. You can include Groups (See *Setting up groups for broadcasting* on page 52.), One-Touch, Speed-Dial numbers and up to 50 manually dialled numbers in the same broadcast.

You can broadcast up to 366 different numbers. This will depend on how many groups, access codes or credit card numbers you have stored, and on how many delayed or stored faxes in memory.

**Note**

Use the **Search/Speed Dial** to help you choose numbers easily.

- 1 Make sure you are in Fax mode .
- 2 Load your document.
- 3 Enter a number.
Press **OK**.
You can use either a One-Touch, Speed-Dial, a Group number, or a number manually entered using the dial pad. (See *How to dial* on page 48.)
- 4 Repeat 3 until you have entered all the fax numbers you want to broadcast to.
- 5 Press **Mono Start**.

After the broadcast is finished the machine will print a broadcast report to let you know the results.

Cancelling a broadcast in progress

While broadcasting you can cancel the fax currently being sent or the whole broadcast job.

- 1 Press **Menu**, **2**, **6**.
The LCD will display the fax being dialled (for example, #001 0123456789) and the broadcast job number (for example, Broadcast#001):

```
Remaining Jobs
#001 0123456789
```

- 2 Press **▲** or **▼** to choose the job number you want to cancel.
Press **OK**.

```
#001 0123456789
1.Clear 2.Exit
```

- 3 Press **1** to clear the job number or **2** to exit.
If you chose to only cancel the fax currently being sent in ②, the machine will ask you if you want to cancel the broadcast. Press **1** to clear the whole broadcast job or **2** to exit.


```
Broadcast#001
1.Clear 2.Exit
```

- 4 Press **Stop/Exit**.

Additional sending operations

Sending faxes using multiple settings

Before you send a fax, you can change any combination of these settings: contrast, resolution, overseas mode, delayed fax timer, polling transmission, real time transmission or cover page settings.

- 1 Make sure you are in Fax mode .
After each setting is accepted, the LCD asks if you want to enter more settings:

```
Next
1.Yes 2.No
```

- 2 Do one of the following:
 - To choose more settings, press **1**.
The LCD returns to the **Setup Send** menu so you can choose another setting.
 - If you have finished choosing settings, press **2** and go to the next step for sending your fax.

Electronic cover page (black & white only)

This feature will *not* work unless you have already programmed your Station ID. (See *the Quick Setup Guide*.)

You can automatically send a cover page with every fax. Your cover page includes your Station ID, a comment, and the name stored in the One-Touch or Speed-Dial memory.

By choosing **Next Fax: On** you can also display the number of pages on the cover page.

You can choose one of the following preset comments.

1. Note Off
2. Please Call
3. Urgent
4. Confidential

Instead of using one of the preset comments, you can enter two personal messages of your own, up to 27 characters long. Use the chart on page 201 for help entering characters.

(See *Composing your own comments* on page 33.)

5. (User Defined)
6. (User Defined)




Note

You can send the cover page only for a black & white fax. If you press **Color Start** to send a fax, the cover page will not be sent.

Composing your own comments


You can set up two comments of your own.

- 1 Make sure you are in Fax mode
- 2 Press **Menu, 2, 2, 8**.

- 3 Press **▲** or **▼** to choose 5 or 6 to store your own comment.
Press **OK**.
- 4 Enter your own comment using the dial pad.
Press **OK**.

Use the chart on page 201 for help entering characters.


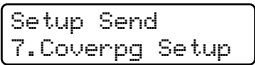
Send a cover page for the next fax

If you want to send a cover page only for the next fax, your machine will ask you to enter the number of pages you are sending so it can be printed on the cover page.

- 1 Make sure you are in Fax mode
- 2 Load your document.
- 3 Press **Menu, 2, 2, 7**.

- 4 Press **▲** or **▼** to choose **Next Fax: On** (or **Next Fax: Off**).
Press **OK**.
- 5 Press **▲** or **▼** to choose a comment.
Press **OK**.
- 6 Enter two digits to show the number of pages you are sending.
Press **OK**.
For example, enter **0, 2** for 2 pages or **0, 0** to leave the number of pages blank. If you make a mistake, press **◀** or **Clear/Back** to back up and re-enter the number of pages.

Send a cover page for all faxes

You can set the machine to send a cover page whenever you send a fax.

- 1 Make sure you are in Fax mode .
- 2 Press **Menu, 2, 2, 7**.

- 3 Press **▲** or **▼** to choose **On** (or **Off**). Press **OK**.
- 4 Press **▲** or **▼** to choose a comment. Press **OK**.

Using a printed cover page

If you want to use a printed cover page that you can write on, you can print the sample page and attach it to your fax.

- 1 Make sure you are in Fax mode .
- 2 Press **Menu, 2, 2, 7**.

- 3 Press **▲** or **▼** to choose **Print Sample**. Press **OK**.
- 4 Press **Mono Start** or **Color Start**. Your machine will print a copy of your cover page.
- 5 Press **Stop/Exit**.


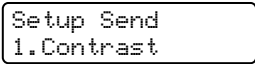
Contrast

For most documents the default setting of **Auto** will give the best results. It automatically chooses the suitable contrast for your document.

If your document is very light or dark, changing the contrast may improve the quality of the fax.

Use **Dark** to make the faxed document lighter.

Use **Light** to make the faxed document darker.

- 1 Make sure you are in Fax mode .
- 2 Load your document.
- 3 Press **Menu, 2, 2, 1**.

- 4 Press **▲** or **▼** to choose **Auto, Light** or **Dark**. Press **OK**.




Note

Even if you choose **Light** or **Dark**, the machine will send the fax using the **Auto** setting if you choose **Photo** as the Fax Resolution.



Changing fax resolution

The quality of a fax can be improved by changing the fax resolution. Resolution can be changed for the next fax *or* for all faxes.

To change the fax resolution for the next fax

- 1 Make sure you are in Fax mode .
- 2 Load your document.
- 3 Press **Resolution**, then **▲** or **▼** to choose the resolution.
Press **OK**.

To change the default fax resolution

- 1 Make sure you are in Fax mode .
- 2 Press **Menu**, **2**, **2**, **2**.

- 3 Press **▲** or **▼** to choose the resolution you want.
Press **OK**.



Note

You can choose four different resolution settings for black & white faxes and two for color.

Black & white:

Standard Suitable for most typed documents.

Fine Good for small print and transmits a little slower than Standard resolution.

S. Fine Good for small print or artwork and transmits slower than Fine resolution.

Photo Use when the document has varying shades of grey or is a photograph. This has the slowest transmission time.

Color:

Standard Suitable for most typed documents.

Fine Use when the document is a photograph. The transmission time is slower than Standard resolution.

If you choose **S. Fine** or **Photo** and then use the **Color Start** key to send a fax, the machine will send the fax using the **Fine** setting.

The time taken to send will increase when selecting **S. Fine** or **Photo**.

Dual access (black & white only)

Your machine supports dual access, which lets you dial a number and begin scanning a fax into memory while you are already sending or receiving a fax.

The LCD will show the new job number. The number of pages you can scan into the memory will vary depending on the data that is printed on them.



Note


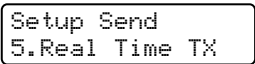
- Your machine normally uses dual access.
- If you get an **Out of Memory** message while scanning the first page of a fax, press **Stop/Exit** to cancel scanning. If you get an **Out of Memory** message while scanning a subsequent page, you can press **Mono Start** to send the pages scanned so far, or press **Stop/Exit** to cancel the operation.

Real time transmission


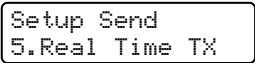
When you are sending a fax, the machine will scan the documents into the memory before sending. Then, as soon as the telephone line is free, the machine will start dialling and sending.

Sometimes, you may want to send an important document immediately, without waiting for memory transmission. You can set **Real Time TX** to **On** for all documents or **Next Fax:On** for the next fax only.

Sending in real time for all faxes

- 1 Make sure you are in Fax mode .
- 2 Press **Menu, 2, 2, 5**.

- 3 Press **▲** or **▼** to choose **On**. Press **OK**.

Sending in real time for the next fax only



- 1 Make sure you are in Fax mode .
- 2 Press **Menu, 2, 2, 5**.

- 3 Press **▲** or **▼** to choose **Next Fax:On**. Press **OK**.



Note

- If the memory is full or you are sending a color fax, the machine will send the document in real time (even if **Real Time TX** is set to **Off**).
- In Real Time Transmission, the automatic redial feature does not work when using the scanner glass.

Not sending in real time for the next fax only

- 1 Make sure you are in Fax mode .
- 2 Press **Menu, 2, 2, 5**.

- 3 Press **▲** or **▼** to choose **Next Fax:Off**. Press **OK**.





Note

In Real Time Transmission, the automatic redial feature does not work when using the scanner glass.

Overseas mode


If you are having difficulty sending a fax overseas due to a bad connection, then turning on the overseas mode may help.

This is a temporary setting, and will only be active for your next fax.

- 1 Make sure you are in Fax mode .
- 2 Load your document.
- 3 Press **Menu, 2, 2, 9**.

- 4 Press **▲** or **▼** to choose **On** (or **Off**). Press **OK**.

Delayed fax (black & white only)

You can store up to 50 faxes in the memory to be sent within a twenty four hour period.

1 Make sure you are in Fax mode .

2 Load your document.

3 Press **Menu, 2, 2, 3.**

```
Setup Send
3.Delayed Fax
```


4 Enter the time you want the fax to be sent (in 24-hour format).
(For example, enter 19:45 for 7:45 PM)
Press **OK.**

The number of pages you can scan into the memory depends on the amount of data printed on each page.

Delayed batch transmission (black & white only)

Before sending the delayed faxes, your machine will help you economize by sorting all the faxes in the memory by destination and scheduled time.

All delayed faxes that are scheduled to be sent at the same time to the same fax number will be sent as one fax to save transmission time.

1 Make sure you are in Fax mode .

2 Press **Menu, 2, 2, 4.**

```
Setup Send
4.Batch TX
```

3 Press **▲** or **▼** to choose **On** (or **Off**).
Press **OK.**

4 Press **Stop/Exit.**

Checking and cancelling waiting jobs

Check which jobs are still waiting in the memory to be sent. If there are no jobs, the LCD will show **No Jobs Waiting**. You can cancel a fax job that is stored and waiting in the memory.

1 Press **Menu, 2, 6.**

```
Remaining Jobs
#001 BROTHER
```

The number of jobs still to be sent will be displayed.

2 Do one of the following:


- Press **▲** or **▼** to scroll though the waiting jobs, press **OK** to choose a job, and then press **1** to cancel it.
- Press **2** to exit without cancelling.

3 When you have finished, press **Stop/Exit.**

Sending a fax manually

Manual transmission

Manual transmission lets you hear the dialling, ringing and fax-receiving tones while sending a fax.

1 Make sure you are in Fax mode .

2 Load your document.

3 Pick up the handset of the external telephone or press **Hook** and listen for a dial tone.

4 Dial the fax number you want to call.

5 When you hear the fax tone, press **Mono Start** or **Color Start**.
or
Press **1** when you select the **Fax Mode** to **Advanced Mode** and send the faxes from the scanner glass. (See setting the fax logic on page 25.)

Out of memory message

If you get an **Out of Memory** message while scanning the first page of a fax, press **Stop/Exit** to cancel the fax.

If you get an **Out of Memory** message while scanning a subsequent page, you will have the option to press **Mono Start** to send the pages scanned so far, or to press **Stop/Exit** to cancel the operation



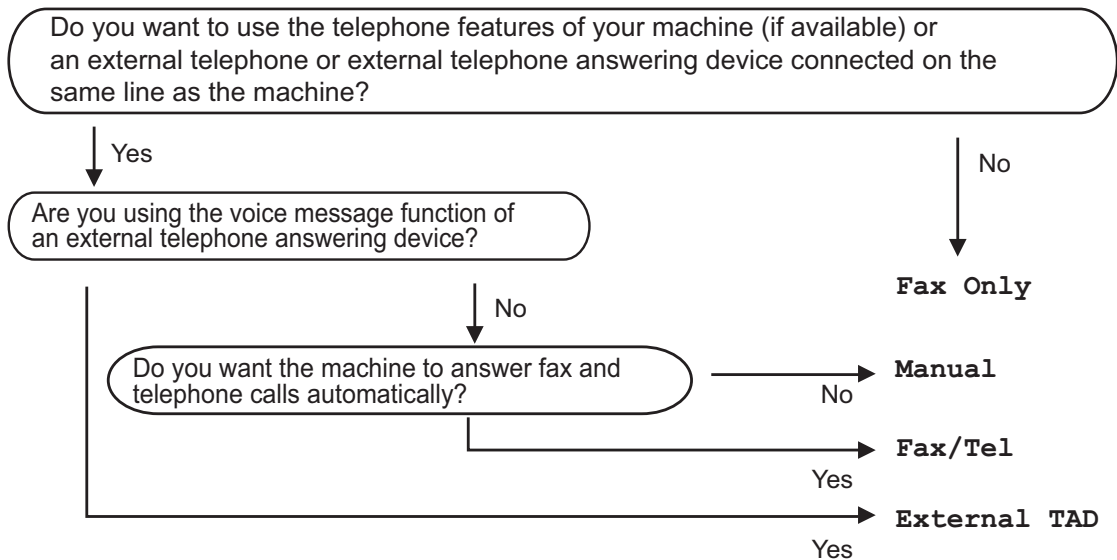
Note

- If you get an **Out of Memory** message while faxing and you do not want to delete your stored faxes to clear the memory, you can send the fax in real time. (See *Real time transmission* on page 36.)
 - To make extra memory available, you can do the following:
 - Print the faxes that are in the memory. (See *Printing a fax from the memory* on page 43.)
 - Turn off Fax Storage. (See *Turning off remote fax options* on page 56.)
 - Add optional memory (See *Memory board* on page 98.)
-

Receive modes

You must choose a receive mode depending on the external devices and telephone services you have on your line. The diagrams below will help you choose the correct mode. (For more detailed information about the receive modes, see *Using receive modes* on page 40.)

Choosing the receive mode



To set the receive mode follow the instructions below.

- 1 Press **Menu, 0, 1**.
- 2 Press **▲** or **▼** to choose the receive mode. Press **OK**.
- 3 Press **Stop/Exit**.

The LCD will display the current receive mode.

```
Initial Setup
1.Receive Mode
```

Using receive modes

Some receive modes answer faxes automatically (*Fax Only* and *Fax/Tel*). You may want to change the ring delay before using these modes. (See *Ring delay* on page 41.)

Fax Only

Fax Only mode will automatically answer every call as a fax.

Fax/Tel

Fax/Tel mode helps you automatically manage incoming calls, by recognising whether they are fax or voice calls and dealing with them in one of the following ways:

- Faxes will be automatically received.
- Voice calls will start the *F/T* ring to tell you to pick up the line. The *F/T* ring is a fast double ring made by your machine.
- Use this mode if you receive few voice calls.

(Also see *F/T ring time* on page 41 and *Ring delay* on page 41.)

Manual

Manual mode turns off all automatic answering functions.

To receive a fax in *Manual* mode press **Mono Start** or **Color Start** when you hear fax tones (short repeating beeps). You can also use the *Fax Detect* feature to receive faxes by lifting a handset on the same line as the machine.

(Also see *Fax Detect* on page 41.)

If you use a computer modem on the same line, Faxing will not operate correctly.

External TAD

External TAD mode lets an external answering device manage your incoming calls. Incoming calls will be handled in one of the following ways:

- Faxes will be automatically received.
- Voice callers can record a message on the external TAD.



(For more information see *Connecting an external TAD* on page 44.)

Receive mode settings

Ring delay

The ring delay sets the number of times the machine rings before it answers in **Fax Only** and **Fax/Tel** modes.

If you have external or extension telephones on the same line as the machine, keep the maximum number of rings. (See *Operation from extension telephones* on page 45 and *Fax Detect* on page 41.)



- 1 Make sure you are in Fax mode .
- 2 Press **Menu, 2, 1, 1**.

- 3 Press **▲** or **▼** or to choose how many times the line rings before the machine answers (00-10). Press **OK**.
- 4 Press **Stop/Exit**.

F/T ring time

When somebody calls your machine, you and your caller will hear the normal telephone ring sound. The number of rings is set by the ring delay setting.

If the call is a fax, then your machine will receive it; however, if it is a voice call the machine will sound the F/T ring (a fast double-ring) for the time you have set in the F/T ring time setting. If you hear the F/T ring it means that you have a voice caller on the line.

Because the F/T ring is made by the machine, extension and external telephones will *not* ring; however, you can still answer the call on any telephone. (For more information see *Using remote codes* on page 46.)

- 1 Make sure you are in Fax mode .
- 2 Press **Menu, 2, 1, 2**.

- 3 Press **▲** or **▼** to choose how long the machine will ring to alert you that you have a voice call (20, 30, 40 or 70 seconds). Press **OK**.
- 4 Press **Stop/Exit**.

Fax Detect

Turning fax detect **On** (default setting) allows the machine to receive fax calls automatically if you lift any handset on the same line as the machine.


When you see **Receiving** on the LCD or when you hear 'chirps' through the handset of an extension telephone connected to another telephone wall socket, just replace the handset and your machine will receive the fax.

If this feature is set to **On**, but your machine does not connect a fax call when you lift the handset of an extension or external telephone, press ***51** on the external or extension telephone. (See *Operation from extension telephones* on page 45.)



Note

- You need to turn the Remote Codes setting to on to use the Fax Receive Code (***51**). (See *Using remote codes* on page 46.)
- If you use a modem, or send faxes from a computer, on the same line and your machine intercepts them, set fax detect to **Off**.
- We do not recommend having a P.C. plus fax machine on the same line.

1 Make sure you are in Fax mode .

2 Press **Menu, 2, 1, 3**.


```
Setup Receive
3.Fax Detect
```

3 Press **▲** or **▼** to choose **On** or **Off**.
Press **OK**.

4 Press **Stop/Exit**.

Setting the print density

You can adjust the print density to make your printed pages darker or lighter.

1 Make sure you are in Fax mode .

2 Press **Menu, 2, 1, 7**.

```
Setup Receive
7.Print Density
```

3 Press **▲** to make the print darker.
Or, press **▼** to make the print lighter.
Press **OK**.


4 Press **Stop/Exit**.

Additional receiving operations

Printing a reduced incoming fax

If you choose **On**, the machine automatically reduces each page of an incoming fax to fit on one page of A4, Letter, Legal or Folio size paper.

The machine calculates the reduction ratio by using the page size of the fax and your Paper Size setting (**Menu, 1, 3**).

1 Make sure you are in Fax mode .

2 Press **Menu, 2, 1, 5**.


```
Setup Receive
5.Auto Reduction
```

3 Press **▲** or **▼** to choose **On** (or **Off**).
Press **OK**.

4 Press **Stop/Exit**.

Setting the fax receive stamp (black & white only)

You can set the machine to print the received date and time in the top center of each received fax page.

- 1 Make sure you are in Fax mode .
- 2 Press **Menu, 2, 1, 9**.

```
Setup Receive
9.Fax Rx Stamp
```

- 3 Press **▲** or **▼** to choose **On** (or **Off**). Press **OK**.
- 4 Press **Stop/Exit**.



Note

Make sure you have set the current date and time in the machine.

Receiving faxes into memory (black & white only)


As soon as the paper tray becomes empty during fax reception, the screen will display **No Paper**, asking you to put paper in the paper tray. (See *Loading paper and envelopes* on page 15.) If you are unable to put paper in the paper tray the following will happen:

If Memory Receive is On:

The machine will carry on receiving the fax, with the remaining pages being stored in memory, if enough memory is available. Further incoming faxes will also be stored into memory until the memory is full. When the memory is full the machine will stop automatically answering calls. To print the faxes, put fresh paper in the tray.

If Memory Receive is Off:

The machine will carry on receiving the current fax, with the remaining pages being stored in memory, if enough memory is available. Further incoming faxes will not be stored in memory. The machine will then stop automatically answering calls until fresh paper is put in the paper tray. To print the last fax you received, put fresh paper in the tray.

- 1 Make sure you are in Fax mode .
- 2 Press **Menu, 2, 1, 6**.
- 3 Use **▲** or **▼** to choose **On** or **Off**. Press **OK**.
- 4 Press **Stop/Exit**.

Printing a fax from the memory

If you are using the Fax Storage feature (**Menu, 2, 5, 1**), you can still print a fax from the memory when you are at your machine. See *Fax storage* on page 54.

- 1 Press **Menu, 2, 5, 3**.

```
Remote Fax Opt
3.Print Document
```

- 2 Press **Mono Start** or **Color Start**
- 3 Press **Stop/Exit**.

Connecting an external TAD

You can connect an external Telephone Answering Device (TAD) to the same line as your machine. When the TAD answers a call, your machine will “listen” for the CNG (fax calling) tones sent by a sending fax machine. If it hears them it will take over the call and receive the fax. If it does not hear them, it will let your TAD take a voice message and the display will show *Telephone*.

The external TAD must answer within four rings (we recommend you set it to two rings). This is because your machine cannot hear the CNG tones until the external TAD has picked up the call. The sending machine will send CNG tones for only eight to ten seconds longer. We do not recommend using the toll saver feature on your external TAD if it needs more than four rings to activate it.

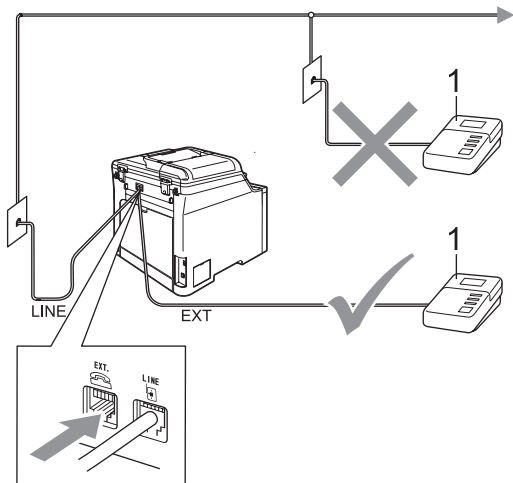


Note

If you have problems receiving faxes, reduce the ring delay setting on your external TAD to one or two rings.

Connections

The external TAD must be connected as shown in the illustration below.



1 TAD

- 1 Set your external TAD to one or two rings. (The machine's Ring Delay setting does not apply.)
- 2 Record the outgoing message on your external TAD.
- 3 Set the TAD to answer calls.
- 4 Set the Receive Mode to External TAD. (See *Choosing the receive mode* on page 39.)

Recording an outgoing message (OGM)

- 1 Record 5 seconds of silence at the beginning of your message. This allows your machine time to listen for fax tones.
- 2 Limit your speaking to 20 seconds.



Note

We recommend beginning your OGM with an initial 5 second silence because the machine cannot hear fax tones over a loud voice. You may try leaving out this pause, but if your machine has trouble receiving faxes, then you should re-record the OGM to include it.

Multi-Line connections (PABX)

Most offices use a central telephone system.

Brother recommends that all our Fax/MFC machines be connected to a discreet (dedicated) line. Although a particular PABX may appear to work with a particular model of fax machine, we cannot guarantee that the unit will operate correctly.

While it is often relatively simple to connect a fax machine to a PABX, (Private Automatic Branch Exchange), we suggest that you contact the company that installed your telephone system and ask them to connect the fax machine for you.

Brother does not recommend the use of a PABX line. PABX limitations in general can cause some functions of the fax machine not to work correctly.

External and extension telephones



Note

You need to turn the Remote Codes setting to on to use the Fax Receive Code *51 and Telephone Answer Code #51. (See *Using remote codes* on page 46.)

Operation from extension telephones

If you answer a fax call on an extension telephone, or an external telephone that is correctly connected to the machine into the correct socket on the machine, you can make your machine take the call by using the Fax Receive Code. When you press the Fax Receive Code *51 the machine starts to receive the fax.

If you answer a call and no one is on the line:

You should assume that you're receiving a manual fax.

Press *51 and wait for the chirp or until the machine's LCD shows *Receiving*, and then hang up.



Note

You can also use the Fax Detect feature to make your machine tactically take the call. (See *Fax Detect* on page 41.)

For Fax/Tel mode only

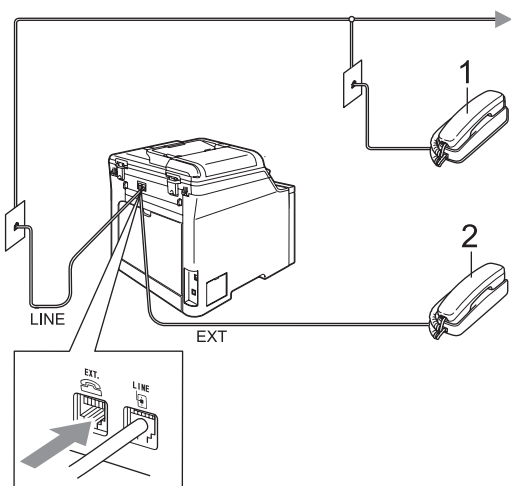
When the machine is in Fax/Tel mode, it will use the F/T Ring Time (pseudo/double-ringing) to alert you to pick up a voice call.

Lift the external telephone's handset, and then press **Hook** to answer.

If you're at an extension telephone, you will need to lift the handset during the F/T Ring Time and then press **#51** between the pseudo/double rings. If no one is on the line, or if someone wants to send you a fax, send the call back to the machine by pressing ***51**.

Connecting an external or extension telephone

You can connect a separate telephone directly to your machine as shown in the diagram below.



1 Extension telephone

2 External telephone

When you are using an external telephone, the LCD shows *Telephone*.

Using a non-Brother cordless external handset

If your non-Brother cordless telephone is connected to the telephone line cord (see page 46) and you typically carry the cordless handset elsewhere, it is easier to answer calls during the Ring Delay.

If you let the machine answer first, you will have to go to the machine so you can press **Hook** to transfer the call to the cordless handset.



Note

- If you are always disconnected when accessing your external TAD remotely, try changing the Fax Receive Code and Telephone Answer Code to another three-digit code using the numbers 0-9, *, #.
- Remote Codes might not work with some telephone systems.
- Not all brands of cordless telephones are compatible for use with your machine.

Using remote codes

Fax Receive Code



If you answer a fax call on an extension or external telephone, you can tell your machine to receive it by pressing the fax receive code ***51**. Wait for the chirping sounds then replace the handset. (See *Fax Detect* on page 41.)

Telephone Answer Code

If you receive a voice call and the machine is in F/T mode, it will start to sound the F/T (double-ring) after the initial ring delay. If you pick up the call on an extension telephone you can turn the F/T ring off by pressing **#51** (make sure you press this *between* the rings).



Turning on the remote codes

You need to turn the Remote Codes setting to on to use the Fax Receive Code and Telephone Answer Code.

- 1 Make sure you are in Fax mode .
- 2 Press **Menu, 2, 1, 4**.

- 3 Press **▲** or **▼** to choose On.
Press **OK**.
- 4 If you don't want to change the Fax Receive Code, press **OK**.
- 5 If you don't want to change the Telephone Answer Code, press **OK**.
- 6 Press **Stop/Exit**.

Changing the remote codes

The preset fax receive code is *51. The preset telephone answer code is #51. If you are always disconnected when accessing your external TAD, try changing the three-digit remote codes, for example ### and 555.

- 1 Make sure you are in Fax mode .
- 2 Press **Menu, 2, 1, 4**.

- 3 Press **▲** or **▼** to choose On or Off.
Press **OK**.
- 4 If you chose On in 3, enter the new Fax Receive Code.
Press **OK**.
- 5 Enter the new Telephone Answer Code.
Press **OK**.
- 6 Press **Stop/Exit**.

8

Dialling and storing numbers

How to dial

You can dial in any of the following ways.

Manual dialling

Use the dial pad to enter all the digits of the telephone or fax number.



One-touch dialling

Press the One-Touch key that stores the number you want to call. (See *Storing one-touch dial numbers* on page 50.)



To dial One-Touch numbers 9 to 16, hold down **Shift** as you press the One-Touch key.

Speed-dialling

Press **Search/Speed Dial**, and enter the three-digit Speed-Dial number. (See *Storing speed-dial numbers* on page 51.)



Three-digit number



Note

If the LCD shows *Not Registered* when you enter a One-Touch or a Speed-Dial number, it means that a number is not stored there.

Search

You can search alphabetically for names you have stored in the One-Touch and Speed-Dial memories. (See *Storing one-touch dial numbers* on page 50 and *Storing speed-dial numbers* on page 51.)

- 1 Press **Search/Speed Dial**.



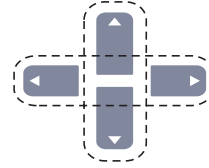
- 2 Press **▼**.



- 3 Press the dial pad key for the first letter of the name.
(Use the chart on *Entering text* on page 201 to help you enter letters.)
Press **OK**.



- 4 Press **▲** or **▼** to scroll until you find the name you are looking for.
Press **OK**.



- 5 Press **Mono Start** or **Color Start**.



Note

- If you do not enter a letter and press **OK** in ③, all registered names will appear. Press **▲** or **▼** to scroll until you find the name you are looking for.
- If the LCD shows `No Contact Found` when you enter the first letter of the name, it means that a name for the letter is not stored.

Fax redial

If you are sending a fax automatically and the line is busy, the machine will automatically redial up to three times at five minute intervals.

If you are sending a fax manually and the line is busy, press **Redial/Pause**, wait for the other fax machine to answer, and then press **Mono Start** or **Color Start** to try again. If you want to make a second call to the last number dialled, you can save time by pressing **Redial/Pause** and **Mono Start** or **Color Start**.

Redial/Pause only works if you dialled from the control panel.

Storing numbers

You can set up your machine to do the following types of easy dialling: One-Touch, Speed-Dial and Groups for Broadcasting faxes. When you dial a quick-dial number, the LCD shows the name, if you stored it, or the number.

If you lose electrical power, the quick-dial numbers stored in the memory will not be lost, because they are stored permanently.

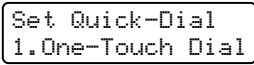
Storing a pause

Press **Redial/Pause** to insert a 3.5-second pause between numbers. You can press **Redial/Pause** as many times as needed to increase the length of the pause.

Storing one-touch dial numbers

Your machine has 8 One-Touch keys where you can store 16 fax or telephone numbers for automatic dialling. To access numbers 9 to 16, hold down **Shift** as you press the One-Touch key.



- 1 Press **Menu, 2, 3, 1**.

- 2 Press the One-Touch key where you want to store a number.
- 3 Enter the telephone or fax number (up to 20 characters).
Press **OK**.
- 4 Do one of the following:
 - Enter the name using the dial pad (up to 15 characters). Use the chart on *Entering text* on page 201 to help you enter letters.
Press **OK**.
 - Press **OK** to store the number without a name.
- 5 Do one of the following:
 - To store another One-Touch number go to 2.
 - To finish storing One-Touch numbers press **Stop/Exit**.

Storing speed-dial numbers

You can store your frequently used numbers as Speed-Dial numbers, so that when you dial you will only have to press a few keys (**Search/Speed Dial**, the three-digit number, and **Mono Start** or **Color Start**). The machine can store 300 Speed-Dial numbers (001 - 300).

- 1 Press **Menu**, **2**, **3**, **2**.

```
Set Quick-Dial
2.Speed-Dial
```

- 2 Use the dial pad to enter a three-digit Speed-Dial location number (001 - 300). Press **OK**.

- 3 Enter the telephone or fax number (up to 20 characters). Press **OK**.

- 4 Do one of the following:

- Enter the name using the dial pad (up to 15 characters). Use the chart on *Entering text* on page 201 to help you enter letters.

Press **OK**.

- Press **OK** to store the number without a name.

- 5 Do one of the following:

- To store another Speed-Dial number go to 2.
- To finish storing Speed-Dial numbers press **Stop/Exit**.

Changing one-touch and speed-dial numbers

If you try to store a One-Touch or Speed-Dial number over an existing number, the LCD will show the name or number already stored there.

- 1 Do one of the following:

- To change the stored number, press **1**.
- To exit without making a change, press **2**.

```
#005:MIKE
1.Change 2.Exit
```

- 2 Press **◀** or **▶** to position the cursor under the number you want to change, and then press **Clear/Back** to delete it. Repeat for each number you want to delete.

- 3 Enter a new number. Press **OK**.

- 4 Press **◀** or **▶** to position the cursor under the character you want to change, and then press **Clear/Back** to delete it. Repeat for each character you want to delete.

- 5 Enter a new character. Press **OK**.

- 6 Follow the directions beginning in 2 in Storing One-Touch Dial numbers and Storing Speed-Dial numbers. (See *Storing one-touch dial numbers* on page 50 and *Storing speed-dial numbers* on page 51.)

Setting up groups for broadcasting

If you often want to send the same fax message to many fax numbers you can set up a group.

Groups are stored on a One-Touch key or a Speed-Dial number. Each group uses up a One-Touch key or a Speed-Dial location. You can then send the fax message to all the numbers stored in a group just by pressing a One-Touch key or entering a Speed-Dial number, and then pressing **Mono Start**.

Before you can add numbers to a group, you need to store them as One-Touch or Speed-Dial numbers. You can have up to 20 small groups, or you can assign up to 315 numbers to one large group.

- 1 Press **Menu**, **2**, **3**, **3**.

Set Quick-Dial
 3.Setup Groups

- 2 Choose an empty location where you want to store the group in one of the following ways:
 - Press a One-Touch key.
 - Press **Search/Speed Dial** and then enter the three-digit Speed-Dial location.

Press **OK**.



Note

Please select a One-Touch key or a Speed-Dial number that has not been used to store a number.

- 3 Use the dial pad to enter a group number (01 to 20).
Press **OK**.

- 4 To add One-Touch or Speed-Dial numbers follow the instructions below:
 - For One-Touch numbers, press the One-Touch keys one after the other.
 - For Speed-Dial numbers, press **Search/Speed Dial**, and then enter the three-digit Speed-Dial location.

The LCD will display your chosen One-Touch numbers with a * and Speed-Dial numbers with a # (for example *006, #009).

- 5 Press **OK** when you have finished adding numbers.
- 6 Do one of the following:
 - Enter the name using the dial pad (up to 15 characters). Use the chart on *Entering text* on page 201 to help you enter letters.
Press **OK**.
 - Press **OK** to store the group without a name.
- 7 Do one of the following:
 - To store another group for broadcasting, Press **OK**. Go to 2.
 - To finish storing groups for broadcasting, press **Stop/Exit**.



Note

- Fax Broadcasting is for black & white only.
- You can easily print a list of all your Speed-Dial numbers. Numbers that are part of a group will be marked in the GROUP column. (See *Reports* on page 65.)

Combining quick-dial numbers

You can combine more than one Quick-Dial number when you dial. This feature may be useful if you need to dial an access code for a cheaper rate from another long distance carrier.

For example, you might have stored '555' on Speed-Dial #003 and '7000' on Speed-Dial #002. You can use them both to dial '555-7000' if you press the following keys:

Press **Search/Speed Dial, 003**. Press **Search/Speed Dial, 002** and **Mono Start** or **Color Start**.

Numbers can be added manually by entering them on the dial pad:

Press **Search/Speed Dial, 003, 7001** (on the dial pad), and **Mono Start** or **Color Start**.

This would dial '555-7001'. You can also add a pause by pressing the **Redial/Pause** key.

Tone or pulse

If you have a Pulse dialling service, but need to send Tone signals (for example, for telephone banking), follow the instructions below. If you have a Touch Tone service, you will not need this feature to send tone signals.

- 1 Lift the handset of the external telephone.
- 2 Press **#** on the machine's control panel. Any digits dialled after this will send tone signals.
When you hang up, the machine will return to the Pulse dialling service.

9

Remote fax options (black & white only)

Remote fax options ARE NOT available for color fax.

Remote fax options let you receive faxes while you are away from the machine.

You can use *only one* remote fax option at a time.

Fax forwarding

The fax forwarding feature lets you automatically forward your received faxes to another machine. If you choose Backup Print On, the machine will also print the fax.

- 1 Press **Menu**, **2**, **5**, **1**.

```
Remote Fax Opt
1.Forward/Store
```

- 2 Press **▲** or **▼** to choose `Fax Forward`. Press **OK**.
The LCD will ask you to enter the fax number you want your faxes to be forwarded to.

- 3 Enter the forwarding number (up to 20 digits). Press **OK**.

- 4 Press **▲** or **▼** to choose `On` or `Off`. Press **OK**.

```
Backup Print
On
```

- 5 Press **Stop/Exit**.



Note

If you choose Backup Print On, the machine will also print the fax at your machine so you will have a copy. This is a safety feature in case if there is a power failure before the fax is forwarded or a problem at the receiving machine. If there is a power failure the machine can store faxes up to 4 days only. After that, the faxes stored in the machine's memory will be deleted.

Fax storage

The fax storage feature lets you store your received faxes in the machine's memory. You can retrieve stored fax messages from a fax machine at another location using the remote retrieval commands, see *Retrieving fax messages* on page 57. Your machine will automatically print a copy of the stored fax.

- 1 Press **Menu**, **2**, **5**, **1**.

```
Remote Fax Opt
1.Forward/Store
```

- 2 Press **▲** or **▼** to choose `Fax Storage`. Press **OK**.

- 3 Press **Stop/Exit**.



Note

If `Fax Storage` is turned on your machine cannot receive a color fax unless the sending machine converts it to black & white.

PC fax receive

The PC fax receive feature lets you automatically send your received faxes to your PC. You can then use your PC to view and store these faxes. If your PC is off when faxes are received, your MFC will store them in memory until your PC is turned on again. If you choose Backup Print On, the MFC will also print the fax.

For PC fax receive to work you must be connected to a PC that has the MFL-Pro Suite software installed. (See *PC-FAX receiving in Chapter 6 in the Software User's Guide on the CD-ROM.*)

- 1 Press **Menu, 2, 5, 1.**

```
Remote Fax Opt
1.Forward/Store
```

- 2 Press **▲** or **▼** to choose PC Fax Receive.
Press **OK**.

- 3 Press **▲** or **▼** to choose <USB> or your computer name if the machine is connected to a network.

```
Select ▲▼ or OK
<USB>
```

Press **OK**.

- 4 Press **▲** or **▼** to choose On or Off.

```
Backup Print
Off
```

Press **OK**.

- 5 Press **Stop/Exit**.

Note

If your machine has a problem and is unable to print faxes in memory, you can use this setting to transfer your faxes to a PC. (For details, see *Error and maintenance messages* on page 119.)

If you choose Backup Print On, the machine will also print the faxes at your machine so you will have a copy. This is a safety feature in case there is a power failure before the faxes are forwarded or a problem at the receiving machine. The machine can store faxes up to 4 days if there is a power failure.

Changing remote fax options

If received faxes are left in your machine's memory when you change the remote fax option to Off, the LCD will ask you the following message:

```
Erase All Doc?
1.Yes 2.No
```

or

```
Print All Fax?
1.Yes 2.No
```

- If you press **1**, faxes in the memory will be erased or printed before the setting changes. If a backup copy has already been printed it will not be printed again.
- If you press **2**, faxes in the memory will not be erased or printed and the setting will be unchanged.

If received faxes are left in the machine's memory when you change to PC Fax Receive from another remote fax option (Fax Forward or Fax Storage), the LCD will ask you the following message:

```
Send Fax to PC?
1.Yes 2.No
```

- If you press **1**, faxes in the memory will be sent to your PC before the setting changes.
- If you press **2**, faxes in the memory will not be erased or transferred to your PC and the setting will be unchanged.

The LCD will ask you the following message:

```
Backup Print
On
```

```
Backup Print
Off
```

Press **▲** or **▼** to choose **On** or **Off**.

Press **OK**. Press **Stop/Exit**.



Note

If you choose Backup Print On, the machine will also print the fax at your machine so you will have a copy. This is a safety feature in case there is a power failure before the fax is forwarded or a problem at the receiving machine. The machine can store faxes up to 4 days if there is a power failure. The faxes stored in the machines memory will be deleted.

Turning off remote fax options

- 1 Press **Menu, 2, 5, 1**.

```
Remote Fax Opt
1.Forward/Store
```

- 2 Press **▲** or **▼** to choose **Off**. Press **OK**.



Note

The LCD will give you options if there are received faxes still in your machine's memory. (See *Changing remote fax options* on page 55.)

- 3 Press **Stop/Exit**.

Remote retrieval

The remote retrieval feature lets you retrieve your stored fax messages when you are not at the machine. You can call your machine from any touch tone telephone or fax machine, then use the Remote Access Code to retrieve your messages.

Setting a remote access code

The remote access code lets you access the remote retrieval features when you are away from your machine. Before you use the remote access and retrieval features, you have to set up your own code. The default code is an inactive code: --*.

- 1 Press **Menu, 2, 5, 2**.

```
Remote Fax Opt
2.Remote Access
```

- 2 Enter a three-digit code using numbers **0 – 9, * or #**. Press **OK**.

- 3 Press **Stop/Exit**.



Note

DO NOT use the same code used for your Fax Receive Code (*51) or Telephone Answer Code (#51). (See *Changing the remote codes* on page 47.)

You can change your code at any time. If you want to make your code inactive, press **Clear/Back** and **OK** in 2 to restore the inactive setting --*.

Using your remote access code

- 1 Dial your fax number from a telephone or another fax machine using touch tone.
- 2 When your machine answers, during a period of silence enter your remote access code.
- 3 The machine signals if it has received messages:
 - *No beeps*
No messages received.
 - *1 long beep*
Fax message received.
- 4 The machine gives two short beeps to tell you to enter a command. The machine will hang up if you wait longer than 30 seconds before entering a command. If you enter an invalid command the machine will beep three times.
- 5 Press **9 0** to reset the machine when you have finished.
- 6 Hang up.



Note

If your machine is set to **Manual mode**, you can still access the remote retrieval features. Dial the fax number as normal and let the machine ring. After 2 minutes you will hear a long beep to tell you to enter the remote access code. You then have 30 seconds to enter the code.

Retrieving fax messages

- 1 Dial your fax number.
- 2 When your machine answers, during a period of silence enter your remote access code (3 digits followed by *). If you hear one long beep, you have messages.
- 3 When you hear two short beeps, use the dial pad to press **9 6 2**.
- 4 Wait for a long beep, and then use the dial pad to enter the number of the remote fax machine where you want your fax messages sent to, followed by **##** (up to 20 digits).
- 5 Hang up after you hear your machine beep. Your machine will call the other machine, which will then print your fax messages.



Note

You can insert a pause in a fax number by using the **#** key.

Changing the fax forwarding number

You can change the default setting of your fax forwarding number from another telephone or fax machine using touch tone.

- 1 Dial your fax number.
- 2 When your machine answers, enter your remote access code (3 digits followed by *) during a period of silence. If you hear one long beep, you have messages.
- 3 When you hear two short beeps, use the dial pad to press **9 5 4**.
- 4 Wait for a long beep, and then use the dial pad to enter the new number of the remote fax machine where you want your fax messages forwarded followed by **##** (up to 20 digits).
- 5 Press **9 0** to reset the machine when you have finished.
- 6 Hang up after you hear your machine beep.



Note

You can insert a pause in a fax number by using the # key.

Remote fax commands

Follow the commands below to access features when you are away from the machine. When you call the machine and enter your Remote Access Code (3 digits followed by *), the system will give two short beeps and you must enter a remote command.

Remote commands		Operation details
95	Change the fax forwarding or fax storage settings	
	1 OFF	You can choose <code>Off</code> after you have retrieved or erased all your messages.
	2 Fax forwarding	One long beep means the change is accepted. If you hear three short beeps, you cannot change because the conditions have not been met (for example, registering a fax forwarding number). You can register your fax forwarding number by entering 4. (See <i>Changing the fax forwarding number</i> on page 58.) Once you have registered the number, fax forwarding will work.
	4 Fax forwarding number	
	6 Fax storage	
96	Retrieve a fax	
	2 Retrieve all faxes	Enter the number of a remote fax machine to receive stored fax messages. (See <i>Retrieving fax messages</i> on page 57.)
	3 Erase faxes from the memory	If you hear one long beep, fax messages have been erased from the memory.
97	Check the receiving status	
	1 Fax	You can check whether your machine has received any faxes. If yes, you will hear one long beep. If no, you will hear three short beeps.
98	Change the receive mode	
	1 External TAD	If you hear one long beep, your change has been accepted.
	2 Fax/Tel	
	3 Fax Only	
90	Exit	Press 9 0 to exit remote retrieval. Wait for the long beep, then replace the handset.


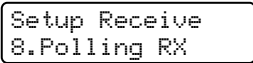
10

Polling

Polling lets you set up your machine so other people can receive faxes from you, but they pay for the call. It also lets you call somebody else's fax machine and receive a fax from it, so you pay for the call. The polling feature needs to be set up on both machines for this to work. Not all fax machines support polling.



Polling receive

Polling receive lets you call another fax machine to receive a fax.

- 1 Make sure you are in Fax mode .
- 2 Press **Menu, 2, 1, 8**.

- 3 Press **▲** or **▼** to choose *Standard*. Press **OK**.
- 4 Enter the fax number you are polling. Press **Mono Start** or **Color Start**.



Secure polling

Secure Polling lets you restrict who can get the documents you set up to be polled. Secure Polling only works with Brother fax machines. If you want to get a fax from a secured Brother machine you have to enter the secure code.

- 1 Make sure you are in Fax mode .
- 2 Press **Menu, 2, 1, 8**.

- 3 Press **▲** or **▼** to choose *Secure*. Press **OK**.
- 4 Enter a four-digit secure code. Press **OK**.
This is the security code of the fax machine you are polling.
- 5 Enter the fax number you are polling.
- 6 Press **Mono Start** or **Color Start**.

Delayed polling

Delayed polling lets you set the machine to begin polling receive at a later time. You can only set up *one* delayed polling operation.

- 1 Make sure you are in Fax mode .
- 2 Press **Menu, 2, 1, 8**.

- 3 Press **▲** or **▼** to choose *Timer*. Press **OK**.
- 4 Enter the time (in 24-hour format) you want to begin polling. Press **OK**.
For example, enter 21:45 for 9:45 PM.
- 5 Enter the fax number you are polling. Press **Mono Start** or **Color Start**.
The machine makes the polling call at the time you entered.





Note

If the other fax machine that you are calling has not been set-up for Polling, you will receive the message *Connection Fail*.

Sequential polling

Sequential polling lets you request documents from several fax machines in one operation.

- 1 Make sure you are in Fax mode .
- 2 Press **Menu, 2, 1, 8**.

- 3 Press **▲** or **▼** to choose *Standard*, *Secure* or *Timer*. Press **OK**.
- 4 Choose one of the options below.
 - If you choose *Standard* go to 5.
 - If you choose *Secure*, enter a four-digit number, press **OK**, go to 5.



Note

If you did not enter the correct Secure Code, you will receive the message *Disconnected*.

- If you choose *Timer*, enter the time (in 24-hours format) you want to begin polling and press **OK**, go to 5.
- 5 Specify the destination fax machines you want to poll by using *One-Touch*, *Speed-Dial*, *Search*, a *Group* and or the dial pad. You must press **OK** between each location.
 - 6 Press **Mono Start** or **Color Start**.
The machine polls each number or group in turn for a document.


Press **Stop/Exit** while the machine is dialling to cancel the polling process.

To cancel all sequential polling receive jobs, press **Menu, 2, 6**. (See *Checking and cancelling waiting jobs* on page 37.)

Polled transmit (black & white only)

Polled transmit lets you set up your machine to wait with a document so another fax machine can call and retrieve it.

Setup for polled transmit

- 1 Make sure you are in Fax mode .

- 2 Load your document.

- 3 Press **Menu, 2, 2, 6**.

```
Setup Send
6.Polled TX
```

- 4 Press **▲** or **▼** to choose **Standard**. Press **OK**.

- 5 Press **2** to choose **2.No** if you don't want to enter more settings when the LCD asks you the following message:

```
Next
1.Yes 2.No
```

- 6 Press **Mono Start**.

- 7 If you are using the scanner glass, the LCD will prompt you to choose one of the options below:

```
Next Page?
1.Yes 2.No(Send)
```

- Press **1** to send another page. Go to **8**.
- Press **2** or **Mono Start** to send the document.

- 8 Place the next page on the scanner glass, press **OK**. Repeat **7** and **8** for each additional page.

```
Set Next Page
Then Press OK
```

- 9 Your machine will automatically send the fax.




Note

The document will be stored and can be retrieved from any other fax machine until you delete the fax from memory.

To delete the fax from memory, press **Menu, 2, 6**. (See *Checking and cancelling waiting jobs* on page 37.)

Setup for polled transmit with a secure code

Secure Polling lets you restrict who can get the documents you set up to be polled. Secure Polling only works with Brother fax machines. If another person wants to retrieve a fax from your machine they will have to enter the secure code.

- 1 Make sure you are in Fax mode .

- 2 Load your document.

- 3 Press **Menu, 2, 2, 6**.

```
Setup Send
6.Polled TX
```

- 4 Press **▲** or **▼** to choose *Secure*. Press **OK**.

- 5 Enter a four-digit number. Press **OK**.

- 6 Press **2** to choose *2.No* if you don't want to enter more settings when the LCD asks you the following message:

```
Next
1.Yes 2.No
```

- 7 Press **Mono Start**.

- 8 If you use the scanner glass, the LCD will prompt you to choose one of the options below:

```
Next Page?
1.Yes 2.No(Send)
```

- Press **1** to send another page. Go to **9**.
- Press **2** or **Mono Start** to send the document.

- 9 Place the next page on the scanner glass, press **OK**. Repeat **8** and **9** for each additional page.

```
Set Next Page
Then Press OK
```

- 10 Your machine will automatically send the fax.

11

Printing reports

Fax reports

Some fax reports (transmission verification and fax journal) can be printed automatically and manually.

Transmission verification report

You can use the transmission report as proof that you sent a fax. This report lists the time and date of transmission and whether the transmission was successful (shown as "OK"). If you choose **On** or **On+Image**, the report will print for every fax you send.

If you send a lot of faxes to the same place, you may need more than the job numbers to know which faxes you must send again. Choosing **On+Image** or **Off+Image** will print a section of the fax's first page on the report to help you remember.

When the verification report is turned **Off** or to **Off+Image**, the report will *only* print if there is a transmission error.

- 1 Press **Menu, 2, 4, 1**.

```
Report Setting
1.Transmission
```

- 2 Press **▲** or **▼** to choose **On**, **On+Image**, **Off** or **Off+Image**. Press **OK**.
- 3 Press **Stop/Exit**.

Fax journal

You can set the machine to print a fax journal (activity report) at specific intervals (every 50 faxes, 6, 12 or 24 hours, 2 or 7 days). The default setting is **Every 50 Faxes**, this means that your machine will print the journal when the machine has stored 50 jobs.

If you set the interval to **Off**, you can still print the report by following the steps on the next page.

- 1 Press **Menu, 2, 4, 2**.

```
Report Setting
2.Journal Period
```

- 2 Press **▲** or **▼** to choose an interval. Press **OK**.
If you choose 7 days, you will be asked to choose a day when you want the 7 day countdown to begin.
- 3 Enter the time to begin printing, in 24 hour format. Press **OK**.
For example: enter 19:45 for 7:45 PM.

- 4 Press **Stop/Exit**.

If you choose 6, 12, 24 hours, 2 or 7 days, the machine will print the report at the selected time and then erase all jobs from its memory. If the machine's memory becomes full with 200 jobs before the time you chose has passed, the machine will print the journal early and then erase all jobs from memory.

If you want an extra report before it is due to print, you can print it manually without erasing the jobs from memory.

Reports

The following reports are available:

- 1 XMIT Verify
Displays the Transmission Verification Report for your last outgoing 200 faxes and prints the last report.
- 2 Help List
Prints a list of commonly used functions to help you program your machine.
- 3 Tel Index List
Prints a list of names and numbers stored in the One-Touch and Speed-Dial memory in numerical or alphabetical order.
- 4 Fax Journal
Prints a list of information about your last 200 incoming and outgoing faxes. (TX: transmit.) (RX: receive.)
- 5 User Settings
Print a list of your current settings.
- 6 Network Config
Lists your network settings.

How to print a report

- 1 Press **Menu**, **6**.

```
Select ▲▼ or OK
6.Print Reports
```

- 2 Do one of the following:
 - Press **▲** or **▼** to choose the report you want.
Press **OK**.
 - Enter the number of the report you want to print. For example, press **2** to print the help list.
- 3 Press **Mono Start** or **Color Start**.
- 4 Press **Stop/Exit**.



Copy

Making copies


68

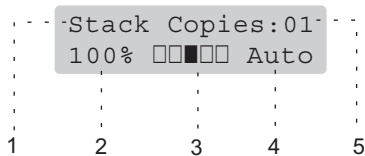
12

Making copies

How to copy


Entering copy mode

Press  (Copy) to enter Copy mode.




- 1 Stack/Sort
- 2 Copy ratio and Copy layout
- 3 Contrast
- 4 Quality
- 5 Number of copies

Making a single copy

- 1 Make sure you are in Copy mode .
- 2 Load your document.
- 3 Press **Mono Start** or **Color Start**.

Making multiple copies

- 1 Make sure you are in Copy mode .
- 2 Load your document.
- 3 Use the dial pad to enter the number of copies (up to 99).
- 4 Press **Mono Start** or **Color Start**.



Note

(To sort your copies, see *Sorting copies using the ADF* on page 71.)

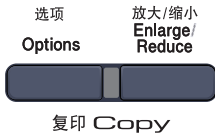
If the LCD shows "Please Wait" and the machine stops copying while you are making multiple copies, please wait for 30 to 40 seconds until the machine finishes the color registration and cleaning process of the belt unit.

Stop copying

To stop copying, press **Stop/Exit**.

Copy options (temporary settings)


When you want to quickly change the copy settings temporarily for the next copy, use the temporary **Copy** keys. You can use different combinations.



The machine returns to its default settings after 60 seconds or if the Mode Timer returns the machine to Fax mode (See *Mode timer* on page 20.)


Enlarging or reducing the image copied

You can choose the following enlargement or reduction ratios:

Press 	100%*
	104% EXE→LTR
	141% A5→A4
	200%
	Custom(25-400%)
	50%
	70% A4→A5
	78% LGL→LTR
	83% LGL→A4
	85% LTR→EXE
	91% Full Page
	94% A4→LTR
	97% LTR→A4

Custom (25-400%) allows you to enter a ratio from 25% to 400% in 1% increments.

To enlarge or reduce the next copy follow the instructions below:

- 1 Make sure you are in Copy mode .
- 2 Load your document.
- 3 Use the dial pad to enter the number of copies (up to 99).
- 4 Press **Enlarge/Reduce**.
- 5 Do one of the following:
 - Press ▲ or ▼ to choose the enlargement or reduction ratio you want.
Press **OK**.
 - Press ▲ or ▼ to choose Custom (25-400%).
Press **OK**.
Use the dial pad to enter an enlargement or reduction ratio from 25% to 400%. (For example, press **5 3** to enter 53%.)
Press **OK**.
- 6 Press **Mono Start** or **Color Start**.

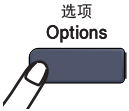
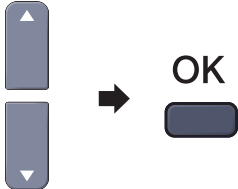
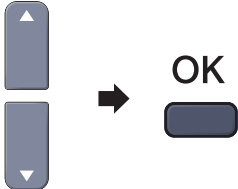


Note

- Page Layout Options 2 in 1 (P), 2 in 1 (L), 4 in 1 (P) or 4 in 1 (L) are *not* available with Enlarge/Reduce.
- (P) means Portrait and (L) means Landscape.

Using the Options key

Use the **Options** key to quickly set the following copy settings temporarily for the next copy.

Press 	Menu selections Press ▲ or ▼, then Press OK 	Options Press ▲ or ▼, then Press OK 	Page
Quality		Auto* Text Photo	71
Stack/Sort (appears when the document is in the ADF)		Stack* Sort	71
Brightness		▼ -□□□□+ ▲* ▼ -□□□□+ ▲ ▼ -□□□□+ ▲ ▼ -□□□□+ ▲ ▼ -□□□□+ ▲	72
Contrast		▼ -□□□□+ ▲* ▼ -□□□□+ ▲ ▼ -□□□□+ ▲ ▼ -□□□□+ ▲ ▼ -□□□□+ ▲	72
Page Layout		Off (1 in 1)* 2 in 1 (P) 2 in 1 (L) 4 in 1 (P) 4 in 1 (L)	73
Tray Select		MP>T1* or MP>T1>T2* T1>MP or T1>T2>MP #1 (XXX) ¹ #2 (XXX) ¹ MP (XXX) ¹ ¹ "XXX" is the paper size. (T2 or #2 appears only if you installed the optional paper tray.)	74

Changing copy quality

You can choose from a range of quality settings. The default setting is *Auto*.

■ Auto

Auto is the recommended mode for ordinary printouts. Suitable for documents that contain both text and photographs.


■ Text

Suitable for documents containing only text.


■ Photo

Suitable for copying photographs.

To *temporarily* change the quality setting, follow the steps below:


- 1 Make sure you are in Copy mode .
- 2 Load your document.
- 3 Use the dial pad to enter the number of copies (up to 99).
- 4 Press **Options**. Press **▲** or **▼** to choose *Quality*. Press **OK**.
- 5 Press **▲** or **▼** to choose *Auto*, *Text* or *Photo*. Press **OK**.
- 6 Press **Mono Start** or **Color Start**.

To change the *default* setting, follow the steps below:

- 1 Press **Menu, 3, 1**.

- 2 Press **▲** or **▼** to choose the copy quality. Press **OK**.
- 3 Press **Stop/Exit**.

Sorting copies using the ADF

You can sort multiple copies. Pages will be stacked in the order 1 2 3, 1 2 3, 1 2 3, and so on.


- 1 Make sure you are in Copy mode .
- 2 Load your document in the ADF.
- 3 Use the dial pad to enter the number of copies (up to 99).
- 4 Press **Options**. Press **▲** or **▼** to choose *Stack/Sort*. Press **OK**.
- 5 Press **▲** or **▼** to choose *Sort*. Press **OK**.
- 6 Press **Mono Start** or **Color Start**.

Adjusting brightness, contrast and color

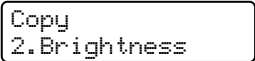
Brightness

Adjust the copy brightness to make copies darker or lighter.

To *temporarily* change the copy brightness setting, follow the steps below:

- 1 Make sure you are in Copy mode .
- 2 Load your document.
- 3 Use the dial pad to enter the number of copies (up to 99).
- 4 Press **Options**.
Press ▲ or ▼ to choose **Brightness**.
Press **OK**.
- 5 Press ▲ to make a lighter copy or press ▼ to make a darker copy.
Press **OK**.
- 6 Press **Mono Start** or **Color Start**.


To change the *default* setting follow the steps below:

- 1 Press **Menu, 3, 2**.

- 2 Press ▲ to make a lighter copy or press ▼ to make a darker copy.
Press **OK**.
- 3 Press **Stop/Exit**.

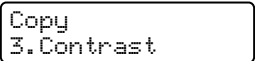
Contrast

Adjust the contrast to help an image look sharper and more vivid.

To *temporarily* change the contrast setting, follow the steps below:

- 1 Make sure you are in Copy mode .
- 2 Load your document.
- 3 Use the dial pad to enter the number of copies (up to 99).
- 4 Press **Options**.
Press ▲ or ▼ to choose **Contrast**.
Press **OK**.
- 5 Press ▲ or ▼ to increase or decrease the contrast.
Press **OK**.
- 6 Press **Mono Start** or **Color Start**.

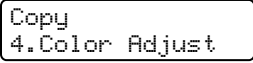
To change the *default* setting follow the steps below:

- 1 Press **Menu, 3, 3**.

- 2 Press ▲ or ▼ to increase or decrease the contrast.
Press **OK**.
- 3 Press **Stop/Exit**.

Color adjust

You can change the default setting for color saturation.

To change the *default* setting follow the steps below:



- 1 Press **Menu**, **3**, **4**.

- 2 Press **▲** or **▼** to choose 1.Red, 2.Green or 3.Blue.
Press **OK**.
- 3 Press **▲** or **▼** to increase or decrease the color saturation.
Press **OK**.
- 4 Return to 2 to choose the next color. Or press **Stop/Exit**.

Making N in 1 copies (page layout)

You can reduce the amount of paper used when copying by using the N in 1 copy feature. This allows you to copy two or four pages onto one page, which lets you save paper.

Important

- Please make sure the paper size is set to Letter, A4, Legal or Folio.
- (P) means Portrait and (L) means Landscape.
- You cannot use the Enlarge/Reduce setting with the N in 1 feature.

- 1 Make sure you are in Copy mode .
- 2 Load your document.
- 3 Use the dial pad to enter the number of copies (up to 99).
- 4 Press **Options**.
Press **▲** or **▼** to choose Page Layout.
Press **OK**.
- 5 Press **▲** or **▼** to choose 2 in 1 (P), 2 in 1 (L), 4 in 1 (P), 4 in 1 (L) or Off(1 in 1).
Press **OK**.
- 6 Press **Mono Start** or **Color Start** to scan the page.
If you placed the document in the ADF, the machine scans the pages and starts printing.
If you are using the scanner glass, go to 7.
- 7 After the machine scans the page, press **1** to scan the next page.

- 8 Put the next page on the scanner glass.
Press **OK**.
Repeat 7 and 8 for each page of the layout.
- 9 After all the pages have been scanned, press **2** in 7 to finish.

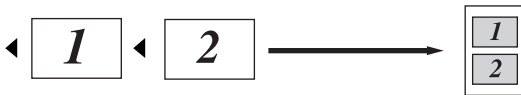
If you are copying from the ADF:

Insert your document face up in the direction shown below:

■ 2 in 1 (P)



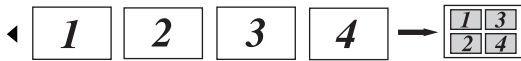
■ 2 in 1 (L)



■ 4 in 1 (P)



■ 4 in 1 (L)



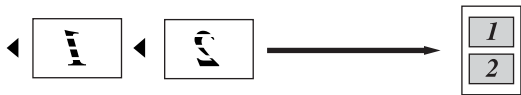
If you are copying from the scanner glass:

Insert your document face down in the direction shown below:

■ 2 in 1 (P)



■ 2 in 1 (L)



■ 4 in 1 (P)




■ 4 in 1 (L)



Tray selection

You can change the tray use only for the next copy.

- 1 Make sure you are in Copy mode .
- 2 Load your document.
- 3 Use the dial pad to enter the number of copies (up to 99).
- 4 Press **Options**. Press \blacktriangle or \blacktriangledown to choose **Tray Select**. Press **OK**.
- 5 Press \blacktriangle or \blacktriangledown to choose the MP>T1, T1>MP, #1 (XXX) ¹ and MP (XXX) ¹. Press **OK**.
- 6 Press **Mono Start** or **Color Start**.

Choose	MP>T1 or MP>T1>T2
Tray Select	T1>MP or T1>T2>MP
	#1 (XXX) ¹
	#2 (XXX) ¹
	MP (XXX) ¹

¹ XXX is the paper size you set in **Menu, 1, 3**.



Note

- T2 or #2 appears only if the optional paper tray is installed.
- To change the default setting for Tray Select, see *Tray use in copy mode* on page 21.

Out of memory message

If the memory becomes full while you are making copies, the LCD message will guide you through the next step.

If you get an *Out of Memory* message while scanning a subsequent page, you will have the option to press **Mono Start** or **Color Start** to copy the pages scanned so far, or to press **Stop/Exit** to cancel the operation.

To make extra memory available, you can do the following:

- Print the faxes that are in the memory. (See *Printing a fax from the memory* on page 43.)
- Turn off Fax Storage. (See *Turning off remote fax options* on page 56.)
- Add optional memory (See *Memory board* on page 98.)



Note

When you get an *Out of Memory* message, you may be able to make copies if you first print incoming faxes in the memory to restore the memory to 100%.



Direct printing

Printing photos from a digital camera	78
Printing data from a USB flash memory drive	82



Your Brother machine supports the PictBridge standard, allowing you to connect to and print photos directly from any PictBridge compatible digital camera. Even if your camera is not in PictBridge mode or does not support PictBridge, you can still print photos from a digital camera in mass storage mode. (See *Connecting a camera as a storage device* on page 80.)

Before using PictBridge

PictBridge requirements

To avoid errors, remember the following points:

- The machine and the digital camera must be connected using a suitable USB cable.
- The image file must be taken with the digital camera you want to connect to the machine.

Using PictBridge

Setting your digital camera

Make sure your camera is in PictBridge mode. The following PictBridge settings may be available from the LCD of your PictBridge compatible camera.

- Copies
- Quality
- Paper size
- Date print
- File name print
- Layout



Note

The names and availability of each setting depends on the specification of your camera.

You can also set the following PictBridge settings by using the control panel.

Menu selections	Options
Paper Size	Letter, A4, B5, A5, B6, A6
Orientation	Portrait, Landscape ¹
Date & Time	Off, On
File Name	Off, On
Print Quality	Normal, Fine

¹ If you choose the paper size Letter, A4 or B5, Portrait will be chosen. If you choose A5, B6 or A6, Landscape will be chosen.

- 1 Press **Menu**, **5**, **3**.

```
USB Direct I/F
3.PictBridge
```

- 2 To set the PictBridge settings, press **▲** or **▼** to choose 1.Paper Size, 2.Orientation, 3.Date & Time, 4.File Name, or 5.Print Quality. Press **OK**.

- 3 Press **▲** or **▼** to choose an option for each menu Setting. Press **OK**.

- 4 Press **Stop/Exit**. Repeat 2 to 3 for each PictBridge setting.



Note

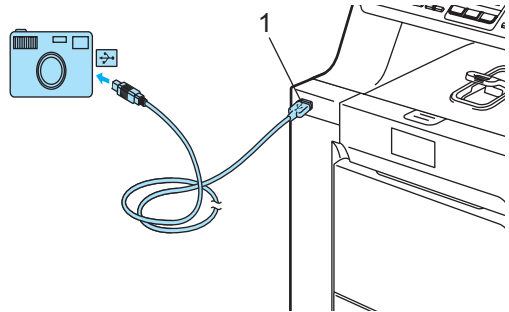
- Camera settings are prioritised as long as your camera is not set to use your machine's settings (default settings). If your camera is set to use your machine's settings, the machine will print your photo using the settings below.

Machine settings	Default settings
Paper Size	A4
Orientation	Portrait
Date & Time	Off
File Name	Off
Print Quality	Normal

- Please refer to the documentation supplied with your camera for more detailed information on changing PictBridge settings.

Printing images

- 1 Make sure that your camera is turned off. Connect your camera to the USB direct interface (1) on the front of the machine using a suitable USB cable.



- 2 Turn on the camera. Make sure your camera is in PictBridge mode. When the machine has recognized the camera, the LCD shows the following message depending on which mode the machine is in:

```
04/20 15:30 Fax
Camera Connected
```

```
Scan:Select ▲▼
Camera Connected
```

```
Stack Copies:01
Camera Connected
```

- 3 Set your camera to print an image. Set the number of copies if you are asked.

When the machine starts printing an image, the LCD will show the following message:

```
PictBridge
Printing. Keep...
```



Note

Please refer to the documentation supplied with your camera for detailed operations how to print using PictBridge.

 **CAUTION**

To prevent damage to your machine, DO NOT connect any device other than a digital camera or USB flash memory drive to the USB direct interface.

DO NOT remove the digital camera from the USB direct interface until the machine has finished printing.

DPOF printing

DPOF stands for Digital Print Order Format. Major digital camera manufacturers (Canon Inc., Eastman Kodak Company, Fuji Photo Film Co. Ltd., Matsushita Electric Industrial Co. Ltd. and Sony Corporation) created this standard to make it easier to print images from a digital camera.

If your digital camera supports DPOF printing, you will be able to choose on the digital camera display the images and number of copies you want to print.

The following DPOF settings are available.

- 1 in 1 printing
- Copies

Connecting a camera as a storage device

Even if your camera is not in PictBridge mode, or does not support PictBridge, you can connect your camera as a normal storage device. This enables you to print photos from your camera.

Follow the steps in *Printing data directly from the USB flash memory drive* on page 83.

(If you would like to print photos in PictBridge mode, see *Setting your digital camera* on page 78)



Note

The name of the storage mode and operation differs among digital cameras. Please refer to the documentation supplied with your camera for detailed information, such as how to switch from PictBridge mode to mass storage mode.

Understanding the error messages

Once you are familiar with the types of errors that can occur while you are using the USB direct interface, you can easily identify and troubleshoot any problems.

■ Out of Memory

This message will appear if you are working with files that are too large for the machine's memory.

■ Unusable Device

This message will appear if you connect an incompatible or broken device to the USB direct interface. To clear the error, unplug the device from the USB direct interface.

(For more detailed solutions, see *Error and maintenance messages* on page 119.)

14

Printing data from a USB flash memory drive

With the direct print feature, you do not need a computer to print data. You can print by just plugging your USB flash memory drive into the machine's USB direct interface.



Note

Some USB flash memory drives may not work with the machine.

Supported file formats

Direct print supports the following file formats:

- PDF version 1.6 ¹
- JPEG
- Exif + JPEG
- PRN (created by MFC-9440CN or MFC-9450CDN driver)
- TIFF (scanned by all MFC or DCP Brother models)
- PostScript® 3™ (created by the MFC-9440CN or MFC-9450CDN BRScrip3 printer driver)

¹ The data including JBIG2 image file, JPEG2000 image file and layered files are not supported.

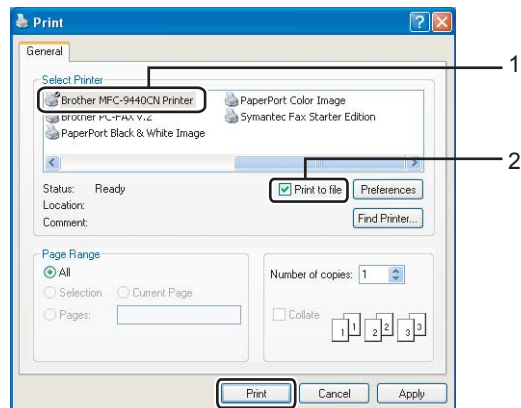
Creating a PRN or PostScript® 3™ file for direct printing



Note

The screens in this section may vary depending on your application and operating system.

- 1 From the menu bar of an application, click **File**, then **Print**.
- 2 Choose **Brother MFC-9440CN Printer** (1) and check the **Print to file** box (2). Click **Print**.



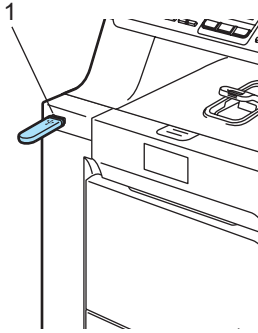
- 3 Choose the folder you want to save the file to and enter the file name if you are prompted to. If you are prompted for a file name only, you can also specify the folder you want to save the file in by entering the directory name. For example:

C:\Temp\FileName.prn

If you have a USB flash memory drive connected to your computer, you can save the file directly to the USB flash memory drive.

Printing data directly from the USB flash memory drive

- 1 Connect your USB flash memory drive to the USB direct interface (1) on the front of the machine.



- 2 When the machine has recognized the USB flash memory drive, the **Direct** LED turns blue. Press the **Direct** key.

```
Direct Print
1.FILE@_1.PDF  ▾
```

- 3 Press **▲** or **▼** to choose the folder name or file name you want to print. Press **OK**.
If you have chosen the folder name, press **▲** or **▼** to choose the file name you want to print. Press **OK**.

Note

- If you want to print an index of the files, choose **Index Print**, and then press **OK**. Press **Mono Start** or **Color Start** to print the data.
- File names containing more than 8 characters will appear on the LCD as the first 6 characters of the file name followed by a tilde mark (~) and a number. For example, "HOLIDAY2007.JPG" would appear as "HOLIDAY~1.JPG".

Only the following characters can be displayed on the LCD:

```
A B C D E F G H I J K L M N O P Q R S T
U V W X Y Z 0 1 2 3 4 5 6 7 8 9 $ % ' ' - @
{ } ~ ! # ( ) & _ ^
```

- 4 Do one of the following:

- Press **▲** or **▼** to choose a setting you need to change and press **OK**, and then press **▲** or **▼** to choose an option for the setting and press **OK**.
- If you do not need to change the current default settings, go to 5.

```
Print File Set
Paper Size  ▾
```

Note

- You can choose the following settings:
 - Paper Size
 - Multiple Page
 - Orientation
 - Media Type
 - Collate
 - Tray Use
 - Print Quality
 - PDF Option
- Depending on the file type, some of these settings may not appear.

- 5 Press **Mono Start** or **Color Start** if you have finished.
- 6 Press the dial pad key to enter the number of copies you want. Press **OK**.

```
Copies
= 1
```

- 7 Press **Mono Start** or **Color Start** to print the data.
- 8 Press **Stop/Exit**.

CAUTION

To prevent damage to your machine, DO NOT connect any device other than a digital camera or USB flash memory drive to the USB direct interface.

DO NOT remove the USB flash memory drive from the USB direct interface until the machine has finished printing.



Note

- If you want to change the default setting for the paper tray to feed paper from, press **Menu**, **1**, **6**, **3** to change the paper tray setting.
- You can change the default settings for direct print by using the control panel when the machine is not in the direct print mode. Press **Menu**, **5** to enter the USB Direct I/F menu. (See *Menu table* on page 186)

Understanding the error messages

Once you are familiar with the types of errors that can occur while you are using the USB direct interface, you can easily identify and troubleshoot any problems.

■ Out of Memory

This message will appear if you are working with images that are too large for the machine's memory.

■ Unusable Device

This message will appear if you connect an incompatible or broken device to the USB direct interface. To clear the error, unplug the device from the USB direct interface.

(See *Error and maintenance messages* on page 119 for the detailed solution.)



Software

Software and network features

86

The User's Guide on the CD-ROM includes the Software User's Guide and Network User's Guide for features available when connected to a computer (for example, printing and scanning). These guides have easy to use links that, when clicked, will take you directly to a particular section.

You can find information on these features:

- Printing
- Scanning
- ControlCenter3 (for Windows®)
- ControlCenter2 (for Macintosh®)
- Remote Setup
- Faxing from your computer
- Network Faxing
- Network Printing
- Network Scanning



Note

See *Accessing the User's Guides* on page 3.

How to read HTML User's Guides

This is a quick reference for using the HTML User's Guides.

For Windows®

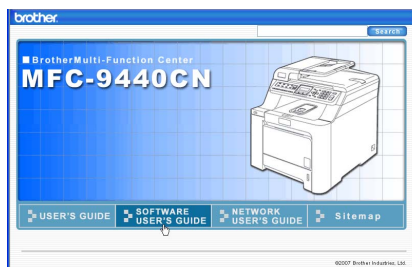


Note

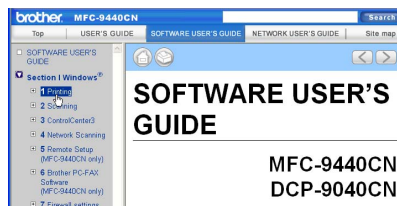
If you have not installed the software, see *Viewing documentation* on page 3.

- 1 From the **Start** menu, point to **Brother**, **MFC-9440CN** or **MFC-9450CDN** from the programs group, then click **User's Guides in HTML format**.

- 2 Click on the manual you want (**SOFTWARE USER'S GUIDE**, **NETWORK USER'S GUIDE** or **USER'S GUIDE**) from the top menu.

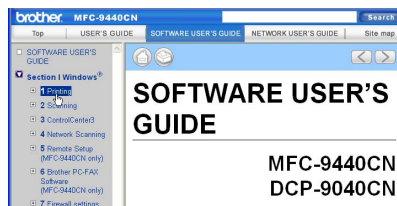


- 3 Click the heading you would like to view from the list at the left of the window.



For Macintosh®

- 1 Make sure your Macintosh® is turned on. Insert the Brother CD-ROM into your CD-ROM drive.
- 2 Double-click the **Documentation** icon.
- 3 Double-click your language folder, and then double-click the top page file.
- 4 Click on the manual you want (**SOFTWARE USER'S GUIDE**, **NETWORK USER'S GUIDE** or **USER'S GUIDE**) in the top menu, and then click the heading you would like to read from the list at the left of the window.





Appendixes

Safety and legal	88
Options	97
Troubleshooting and routine maintenance	100
Menu and features	186
Specifications	203
Glossary	214

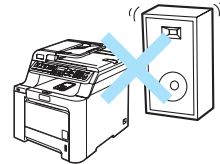
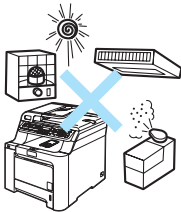
A

Safety and legal

Choosing a location

Place your machine on a flat, stable surface that is free of vibration. Put the machine near a telephone socket and a standard, grounded electrical socket. Choose a location where the temperature remains between 10° C and 32.5° C and the humidity is between 20% to 80% (without condensation).

- Make sure cables leading to the machine DO NOT constitute a trip hazard.
- Avoid placing your machine on the carpet.
- DO NOT place the machine near heaters, air conditioners, water, chemicals or refrigerators.
- DO NOT expose the machine to direct sunlight, excessive heat, moisture or dust.
- DO NOT connect your machine to electrical sockets controlled by wall switches or automatic timers, or to the same circuit as large appliances that might disrupt the power supply.
- Avoid sources of interference, such as speakers or the base units of non-Brother cordless telephones.



Important information

Safety precautions

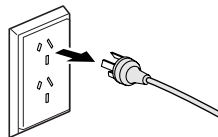
Please read these instructions before attempting any maintenance, and keep them for later reference. When using your telephone equipment, follow basic safety precautions to reduce the risk of fire, electric shock or personal injury.

- DO NOT use this product near water, or in a damp environment.
- Avoid using this product during an electrical storm. There may be a remote risk of electric shock from lightning.
- We DO NOT advise using an extension lead.
- Never install telephone wiring during a lightning storm. Never install a telephone wall socket in a wet location.
- If any cables become damaged, disconnect your machine, and contact your Brother dealer.
- DO NOT place any objects on the machine, or obstruct the air vents.
- This product should be connected to an adjacent grounded AC power source within the range indicated on the rating label. DO NOT connect it to a DC power source. If you are not sure, contact a qualified electrician.
- DO NOT dispose of batteries in a fire. They may explode. Check with local codes for possible special disposal instructions.

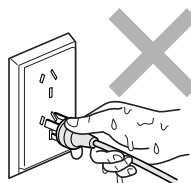
! WARNING



Before cleaning the inside of the machine, first unplug the telephone line cord, and then the power cord from the electrical socket.



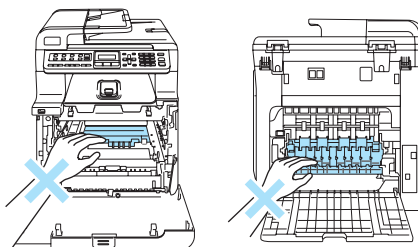
DO NOT handle the plug with wet hands. Doing this might cause an electrical shock.



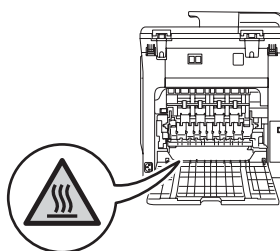
Always make sure the plug is fully inserted.



After you have just used the machine, some internal parts of the machine will be extremely hot. When you open the front or back cover of the machine, DO NOT touch the shaded parts shown in the illustration.



The fuser unit is marked with a caution label. DO NOT remove or damage the label.

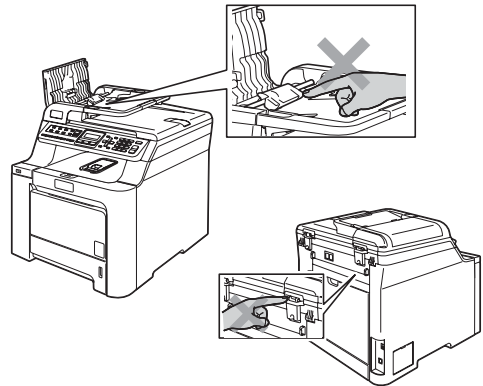


To prevent injuries, be careful not to put your hands on the edge of the machine under the document cover as shown in the illustration.





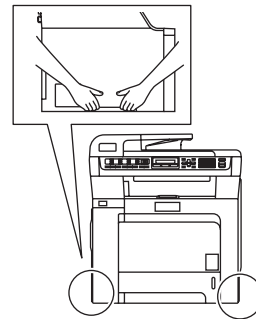
To prevent injuries, **DO NOT** put your fingers in the area shown in the illustrations.



DO NOT use a vacuum cleaner to clean up scattered toner. Doing this might cause the toner dust to ignite inside the vacuum cleaner, potentially starting a fire. Please carefully clean the toner dust with a dry, lint-free cloth and dispose of it according to local regulations.



If moving your machine, use the handholds provided. First making sure to disconnect any cables. To prevent injuries when moving or lifting this machine, make sure to use at least two people.



DO NOT use flammable substances or any type of spray to clean the inside or outside of the machine. Doing this may cause a fire or electrical shock. Refer to *Routine maintenance* on page 136 for how to clean the machine.



IEC60825-1+A2:2001 Specification

This machine is a Class 1 laser product as defined in IEC60825-1+A2:2001 specifications. The label shown below is attached in countries where required.

This machine has a Class 3B Laser Diode which emits invisible laser radiation in the Scanner Unit. The Scanner Unit should not be opened under any circumstances.



Laser Diode

Wave length: 780 - 800 nm

Output: 30 mW max.

Laser Class: Class 3B



WARNING

Use of controls, adjustments or performance of procedures other than those specified in this manual may result in hazardous radiation exposure.

Disconnect device

This product must be installed near an electrical socket that is easily accessible. In case of emergencies, you must disconnect the power cord from the electrical socket to shut off the power completely.

LAN connection



CAUTION

DO NOT connect this product to a LAN connection that is subject to over-voltages.

Radio interference

This product complies with EN55022 (CISPR Publication 22)/Class B. When connecting the machine to a computer, ensure that you use the following interface cables.

A USB cable which must not exceed 2.0 metres in length.

Important Information

Important safety Instructions

- 1 Read all of these instructions.
- 2 Save them for later reference.
- 3 Follow all warnings and instructions marked on the product.
- 4 Unplug this product from the wall outlet before cleaning the outside of the machine and the scanner glass. **DO NOT** use liquid or aerosol cleaners. Use a damp cloth for cleaning.
- 5 **DO NOT** place this product near water.
- 6 **DO NOT** place this product on an unstable cart, stand, or table. The product may drop, causing serious damage to the product.
- 7 Slots and openings in the casing at the back or bottom are provided for ventilation; to ensure reliable operation of the product and to protect it from overheating, these openings must not be blocked or covered. The openings should never be blocked by placing the product on a bed, sofa, rug, or other similar surface. This product should never be placed near or on a radiator or heater. This product should never be placed in a built-in installation unless adequate ventilation is provided.
- 8 This product should be connected to an AC power source within the range indicated on the rating label. **DO NOT** connect it to a DC power source. If you are not sure, contact a qualified electrician.
- 9 This product is equipped with a 3-wire grounding type plug, a plug having two or three pins. This plug will only fit into only a grounding-type power outlet. This is a safety feature. If you are unable to insert the plug into the outlet, contact your electrician to replace your obsolete outlet. **DO NOT** defeat the purpose of the grounding-type plug.
- 10 **DO NOT** place anything on top of the power cord including this machine. **DO NOT** allow the power cord to be stepped on.
- 11 If an extension cord is used with this product, make sure that the total ampere ratings on the products plugged into the extension cord **DO NOT** exceed the extension cord ampere rating.
- 12 **DO NOT** place anything in front of the machine that will block received faxes. **DO NOT** place anything in the path of received faxes.
- 13 **DO NOT** touch a document during printing.
- 14 Never push objects of any kind into this product through cabinet slots, since they may touch dangerous voltage points or short out parts resulting in the risk of fire or electric shock. Never spill liquid of any kind on the product.
- 15 **DO NOT** attempt to service this product yourself, as opening or removing covers may expose you to dangerous voltage points and/or other risks, and may void your warranty. Please refer all servicing to our Authorized Service Personnel. A list of Authorized Service Centres has been included for your convenience, or you may contact the Brother Dealer for Service.
- 16 Unplug this product from the wall outlet and refer servicing to Authorised Service Personnel under the following conditions:
 - If the power cord is damaged or frayed.

- If the product has been spilled by liquid.
- If the product has been exposed to rain or water.
- If the product does not operate normally when the operating instructions are followed. Adjust only those controls that are covered by the operating instructions. Incorrect adjustment of other controls may result in damage and will often require extensive work by a qualified technician to restore the product to normal operation.
- If the product has been dropped or the casing has been damaged.
- If the product exhibits a distinct change in performance, indicating a need for service.

17 To protect your product against power surges, we recommend the use of a power protection device (Surge Protector).



WARNING

For protection against the risk of electrical shock, always disconnect all cables from the wall outlet before servicing, modifying or installing the equipment.

This equipment may not be used on coin service lines provided by the telephone company or connected to party lines.

Brother cannot accept any financial or other responsibilities that may be the result of your use of this information, including direct, special or consequential damages. There are no warranties extended or granted by this document.

Legal limitations for copying

It is an offence to make reproductions of certain items or documents with the intent to commit fraud. This memorandum is intended to be a guide rather than a complete list. We suggest you check with relevant legal authorities if in doubt about a particular item or document.

The following are examples of documents which should not be copied:

- Money
- Bonds or other certificates of debt
- Certificates of Deposit
- Armed Forces Service or Draft papers
- Passports
- Postage Stamps (cancelled or uncanceled)
- Immigration Papers
- Welfare documents
- Cheques or Drafts drawn by Governmental Agencies
- Identification Documents, badges or insignias
- Licences and Certificates of Title to motor vehicles

Copyrighted works cannot be copied. Sections of a copyrighted work can be copied for 'fair dealing'. Multiple copies would indicate improper use.

Works of art should be considered the equivalent of copyrighted works.

Trademarks

The Brother logo is a registered trademark of Brother Industries, Ltd.

Brother is a registered trademark of Brother Industries, Ltd.

Multi-Function Link is a registered trademark of Brother International Corporation.

Microsoft, Windows and Windows Server are registered trademarks of Microsoft Corporation in the U.S. and other countries.

Windows Vista is either a registered trademark or trademark of Microsoft Corporation in the United States and/or other countries.

Macintosh and TrueType are registered trademarks of Apple Inc.

Presto! PageManager is a registered trademark of NewSoft Technology Corporation.

Java and all Java-based trademarks and logos are trademarks or registered trademarks of Sun Microsystems, Inc. in the United States and other countries.

Each company whose software title is mentioned in this manual has a Software License Agreement specific to its proprietary programs.

All other brand and product names mentioned in this User's Guide, the Software User's Guide, and the Network User's Guide are registered trademarks of their respective companies.

B

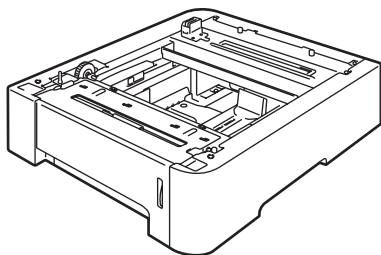
Options

Optional paper tray

Order Number : LT-100CL

An optional lower tray can be installed, and it can hold up to 500 sheets of 80 g/m² (20 lb) paper.

When an optional tray is installed, the machine can hold up to 800 sheets of plain paper. If you want to buy an optional lower tray unit, contact your Brother dealer.



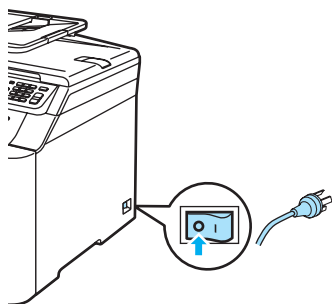
Installing the optional paper tray



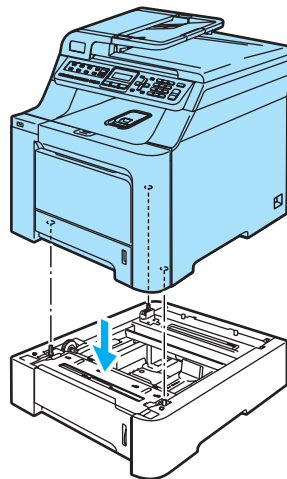
WARNING

This machine is heavy. To prevent injuries use at least two people to lift the machine. Be careful not to pinch your fingers when you set the machine down.

- 1 Turn off the power switch. Unplug the telephone line cord and interface cable, and then unplug the power cord from the AC electrical socket.

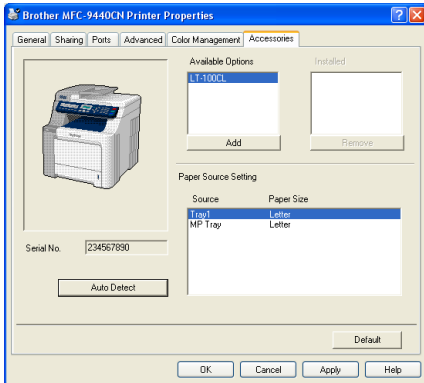


- 2 Using two people, lift the machine carefully and place it onto the optional lower tray unit, so that the alignment pins of the lower tray unit are inserted into the guide holes on the bottom of the machine as shown.



- 3 Plug the machine's power cord back into the AC electrical socket first, and reconnect all cables and telephone line cord. Turn on the machine's power switch.
- 4 To set the paper size for the lower tray, press **Menu**, **1**, **3**, **3**. Press **▲** or **▼** to choose A4, Letter, Legal, Executive, A5, B5, B6 or Folio. Press **OK**, and then press **Stop/Exit**.

- 5 For Windows® users:
Go to **Start > Control Panel > Printers and Faxes**. Right-click on your printer icon and choose **Properties**. Choose the **Accessories** tab and click **Auto Detect**. When the optional lower tray and paper size have been detected click **Apply**.



Note

The **Auto Detect** function is not available under the following machine conditions:

- The machine's power switch is off.
- The machine is in an error state.
- The machine is in a network shared environment.
- The cable is not connected to the machine correctly.

If this situation occurs, you can manually add the options you have installed. In **Available Options** select the option you have installed, click **Add**, and then click **Apply**.

For Macintosh® users:

The printer driver is already configured for use with the lower paper tray. No additional steps are required.

Memory board

This machine has 64 MB of standard memory and one slot for optional memory expansion. You can expand the memory up to 576 MB by installing 144 pin small outline dual in-line memory modules (SO-DIMMs). When you add the optional memory, it increases the performance for both copy and print operations.

SO-DIMM types

You can install the following SO-DIMM:

Buffalo SO-DIMM

Capacity	Buffalo part number
128 MB	VN133-D128/MF VN133-D128/SD
256 MB	VN133-D256/MB VN133-D256/SD
512 MB	VN133-D512/SCD

Tech Works SO-DIMM

Capacity	Buffalo part number
128 MB	12462-0001
256 MB	12485-0001
512 MB	12475-0001

Note

For more information, visit the Buffalo Technology site at <http://www.buffalo-technology.com>.

In general, the SO-DIMM must have the following specifications:

Type: 144 pin and 64 bit output

CAS latency: 2

Clock frequency: 100 MHz or more

Capacity: 64, 128, 256 or 512 MB

Height: 31.75 mm

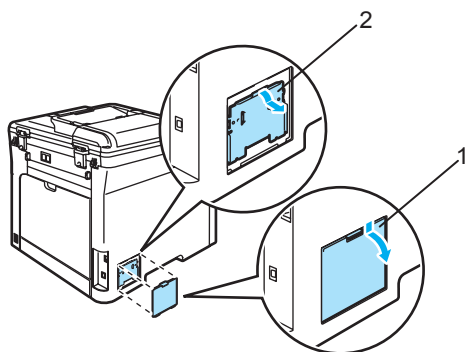
Dram Type: SDRAM 2 Bank

 **Note**

- There might be some SO-DIMMs that will not work with the machine.
- For more information, call the dealer you bought the machine from.

Installing extra memory

- 1 Turn off the machine's power switch. Unplug the telephone line cord.
- 2 Disconnect the interface cable from the machine, and then unplug the power cord from the electrical socket.
- 3 Remove the DIMM covers (1 and 2).

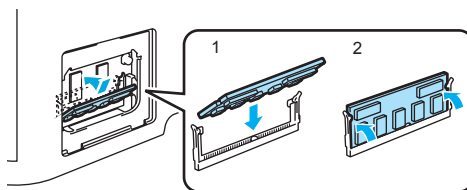


- 4 Unpack the DIMM and hold it by its edges.

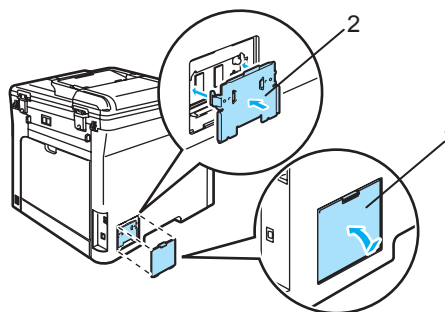
 **CAUTION**

To prevent damage to the machine from static electricity, **DO NOT** touch the memory chips or the board surface.

- 5 Hold the DIMM by the edges and align the notches in the DIMM with the protrusions in the slot. Insert the DIMM diagonally (1), then tilt it toward the interface board until it clicks into place (2).



- 6 Put the DIMM covers (2 and 1) back on.



- 7 Plug the machine's power cord back into the electrical socket first, and then connect the interface cable.
- 8 Plug in the telephone line cord. Turn on the machine's power switch.

C

Troubleshooting and routine maintenance

Troubleshooting

If you think there is a problem with your machine, check the chart below and follow the troubleshooting tips.

Most problems can be easily resolved by yourself. If you need additional help, the Brother Solutions Center offers the latest FAQs and troubleshooting tips. Visit us at <http://solutions.brother.com>.

Solutions to common problems

If you think there is a problem with the way your faxes look, make a copy first. If the copy looks good, the problem may not be your machine. Check the chart below and follow the troubleshooting tips.

Printing or receiving faxes

Difficulties	Suggestions
<ul style="list-style-type: none"> ■ Condensed print ■ Horizontal streaks ■ Top and bottom sentences are cut off ■ Missing lines 	Usually this is caused by a poor telephone connection. If your copy looks good, you probably had a bad connection, with static or interference on the telephone line. Ask the other party to send the fax again.
Poor print quality	See <i>Improving the print quality</i> on page 107.
Vertical black lines when receiving	One of the corona wires for printing may be dirty. Clean the four corona wires. (See <i>Cleaning the corona wires</i> on page 142.)
	The sender's scanner may be dirty. Ask the sender to make a copy to see if the problem is with the sending machine. Try receiving from another fax machine.
	If the problem continues, call Brother or your dealer for service.
Received faxes appear as split or blank pages.	If the received faxes are divided and printed on two pages or if you get an extra blank page, your paper size setting may not be correct for the paper you are using. (See <i>Paper size</i> on page 21.)
	Turn on auto reduction. (See <i>Printing a reduced incoming fax</i> on page 42.)

Telephone line or connections

Difficulties	Suggestions
Dialling does not work.	Check for a dial tone.
	Change Tone/Pulse setting. (See <i>the Quick Setup Guide</i> .)
	Check all line cord connections.
	Check that the machine is plugged in and switched on.
	If an external telephone is connected to the machine, send a manual fax by lifting the handset of the external telephone and dialling the number. Wait to hear fax receiving tones before pressing Mono Start or Color Start .

Telephone line or connections (continued)

Difficulties	Suggestions
The machine does not answer when called.	Make sure the machine is in the correct receive mode for your setup. (See <i>Receiving a fax</i> on page 39.) Check for a dial tone. If possible, call your machine to hear it answer. If there is still no answer, check the telephone line cord connection. If you do not hear ringing when you call your machine, ask your telephone company to check the line.

Sending faxes

Difficulties	Suggestions
Poor sending quality.	Try changing your resolution to <i>Fine</i> or <i>S. Fine</i> . Make a copy to check your machine's scanner operation. If the copy quality is not good, clean the scanner. (See <i>Cleaning the scanner</i> on page 137.)
Transmission Verification Report says 'RESULT:ERROR'.	<p>There is probably temporary noise or static on the line. Try sending the fax again. If you are sending a PC Fax message and get 'RESULT:NG' on the Transmission Verification Report, your machine may be out of memory. To free up extra memory, you can turn off fax storage (See <i>Turning off remote fax options</i> on page 56), print fax messages in memory (See <i>Printing a fax from the memory</i> on page 43) or cancel a delayed fax or polling job (See <i>Checking and cancelling waiting jobs</i> on page 37). If the problem continues, ask the telephone company to check your telephone line.</p> <p>If you often get transmission errors due to possible interference on the telephone line, try changing the Compatibility setting to <i>Basic</i> (for VoIP). (See <i>Telephone line interference</i> on page 118.)</p>
Vertical black lines when sending.	Black vertical lines on faxes you send are typically caused by dirt or correction fluid on the glass strip. (See <i>Cleaning the scanner</i> on page 137.)

Handling incoming calls

Difficulties	Suggestions
The machine 'Hears' a voice as a CNG Tone.	If Fax Detect is set to on, your machine is more sensitive to sounds. It may mistakenly interpret certain voices or music on the line as a fax machine calling and respond with fax receiving tones. Deactivate the machine by pressing Stop/Exit . Try avoiding this problem by turning Fax Detect to off. (See <i>Fax Detect</i> on page 41.)
Sending a Fax Call to the machine.	If you answered on an external or extension telephone, press your Fax Receive Code [default setting is (* 51)]. When your machine answers, hang up.
Custom features on a single line.	<p>If you have Call Waiting, Call Waiting/Caller ID, Caller ID, Voice Mail, an answering machine, an alarm system or other custom feature on a single telephone line with your machine, it may create a problem sending or receiving faxes.</p> <p>For Example: If you subscribe to Call Waiting or some other custom service and its signal comes through the line while your machine is sending or receiving a fax, the signal can temporarily interrupt or disrupt the faxes. Brother's ECM feature should help overcome this problem. This condition is related to the telephone system industry and is common to all devices that send and receive information on a single, shared line with custom features. If avoiding a slight interruption is crucial to your business, a separate line with no custom features is recommended.</p>



Menu access difficulties

Difficulties	Suggestions
Key operations do not work	Check that the control panel is fitted correctly on the machine. Reinstall the control panel.
The machine beeps when you try to access the Setup Receive and Setup Send menus.	If the Fax key is not illuminated, press it to turn on Fax mode. The Setup Receive setting (Menu, 2, 1) and Setup Send setting (Menu, 2, 2) are available only when the machine is in Fax mode.

Copy quality difficulties

Difficulties	Suggestions
Vertical black line appears in copies.	Black vertical lines on copies are typically caused by dirt or correction fluid on the glass strip, or one of the corona wires for printing is dirty. (See <i>Cleaning the scanner</i> on page 137 and <i>Cleaning the corona wires</i> on page 142.)

Printing difficulties

Difficulties	Suggestions
No printout.	<ul style="list-style-type: none"> ■ Check that the machine is plugged in and the power switch is turned on. ■ Check that the toner cartridges and drum unit are installed properly. (See <i>Replacing the drum unit</i> on page 160.) ■ Check the interface cable connection on both the machine and your computer. (See <i>the Quick Setup Guide</i>.) ■ Check that the correct printer driver has been installed and chosen. ■ Check to see if the LCD is showing an error message. (See <i>Error and maintenance messages</i> on page 119.) ■ Check that the machine is online: (For Windows Vista™) Click the Start button, Control Panel, Hardware and Sound, and then Printers. Right-click Brother MFC-9440CN Printer. Make sure that Use Printer Offline is unchecked. (For Windows® XP and Windows Server® 2003) Click the Start button and select Printers and Faxes. Right-click Brother MFC-9440CN Printer. Make sure that Use Printer Offline is unchecked. (For Windows® 2000) Click the Start button and select Settings and then Printers. Right-click Brother MFC-9440CN Printer. Make sure that Use Printer Offline is unchecked.
The machine prints unexpectedly or it prints garbage.	<ul style="list-style-type: none"> ■ Pull out the paper tray and wait until the machine stops printing. Then turn off the machine's power switch and disconnect from the power for several minutes. (The machine can be turned off for up to 4 days without losing faxes stored in the memory.) ■ Check the settings in your application to make sure it is set up to work with your machine.
The machine prints the first couple of pages correctly, then some pages have text missing.	<ul style="list-style-type: none"> ■ Check the settings in your application to make sure that it is set up to work with your machine. ■ Your computer is not recognising the machine's input buffer's full signal. Make sure that you connected the interface cable correctly. (See <i>the Quick Setup Guide</i>.)

Printing difficulties (continued)

Difficulties	Suggestions
The headers or footers appear when the document displays on the screen but they do not show up when it is printed.	There is an unprintable area on the top and bottom of the page. Adjust the top and bottom margins in your document to allow for this.
The machine is not printing or has stopped printing and the machine's Data LED turns on.	Press Job Cancel . As the machine cancels the job and clears it from the memory it may produce an incomplete printout.

Scanning difficulties

Difficulties	Suggestions
TWAIN errors appear while scanning.	Make sure that the Brother TWAIN driver is chosen as the primary source. In Presto!® PageManager®, click File, Select source and choose TW-Brother MFC-XXXX .
Network scanning does not work.	See <i>Network difficulties</i> on page 104.

Software difficulties

Difficulties	Suggestions
Cannot install software or print.	Run the Repair MFL-Pro Suite program on the CD-ROM. This program will repair and reinstall the software.
Cannot perform '2 in 1' or '4 in 1' printing.	Check that the paper size setting in the application and in the printer driver are the same.
The machine does not print from Adobe Illustrator.	Try to reduce the print resolution. (See <i>Advanced tab in the Software User's Guide on the CD-ROM</i> .)

Paper handling difficulties

Difficulties	Suggestions
The machine does not load paper. The LCD shows No Paper or a Paper Jam message.	<ul style="list-style-type: none"> ■ If there is no paper, load a new stack of paper into the paper tray. ■ If there is paper in the paper tray, make sure it is straight. If the paper is curled, you should straighten it. Sometimes it is helpful to remove the paper, turn the stack over and put it back into the paper tray. ■ Reduce the amount of paper in the paper tray, and then try again. ■ Check that the MP tray mode is not chosen in the printer driver. ■ If the LCD shows Paper Jam message and you still have a problem, see <i>Paper jams</i> on page 126.
The machine does not feed paper from the MP tray.	<ul style="list-style-type: none"> ■ Fan the paper well and put it back in the tray firmly. ■ Make sure that MP tray mode is chosen in the printer driver.
How do I print on envelopes?	You can load envelopes from the MP tray. Your application must be set up to print the envelope size you are using. This is usually done in the Page Setup or Document Setup menu of your application. (See your application's manual for more information.)
Which paper can I use?	You can use plain paper, recycled paper, envelopes and labels that are made for laser machines. (For details, see <i>Acceptable paper and other media</i> on page 9.)
There is a paper jam.	(See <i>Paper jams</i> on page 126.)

Print quality difficulties

Difficulties	Suggestions
Printed pages are curled.	<ul style="list-style-type: none">■ Low quality thin or thick paper or not printing on the recommended side of the paper could cause this problem. Try turning over the stack of paper in the paper tray.■ Make sure that you choose the Paper Type that suits the media type you are using. (See <i>Acceptable paper and other media</i> on page 9.)
Printed pages are smeared.	The Paper Type setting may be incorrect for the type of print media you are using, or the print media may be too thick or have a rough surface. (See <i>Acceptable paper and other media</i> on page 9 and <i>Basic tab in the Software User's Guide on the CD-ROM.</i>)
Printouts are too light.	<ul style="list-style-type: none">■ If this problem occurs when making copies or printing received faxes, turn Toner Save mode to off in the machine menu settings. (See <i>Toner save</i> on page 24.)■ Set Toner Save mode to off in the Advanced tab in the printer driver. (See <i>Advanced tab in the Software User's Guide on the CD-ROM.</i>)

Network difficulties

Difficulties	Suggestions
Cannot print over a wired Network.	Make sure your machine is powered on and is on-line and in Ready mode. Print the Network Configuration list to see your current Network settings. (See <i>How to print a report</i> on page 65.) Reconnect the LAN cable to the hub to verify that the cable and network connections are good. If possible, try connecting the machine to a different port on your hub using a different cable. If the connections are good, the upper LED of the back panel of the machine will be green.

Network difficulties (continued)

Difficulties	Suggestions
<p>The network scanning feature does not work.</p> <p>The network PC Fax Receive feature does not work.</p> <p>The network printing feature does not work.</p>	<p>(For Windows® only) The firewall setting on your PC may be rejecting the necessary network connection. Follow the instructions below to configure your firewall. If you are using a personal firewall software, see the User's Guide for your software or contact the software manufacturer.</p> <p>For Windows® XP SP2 users:</p> <ol style="list-style-type: none"> 1 Click the Start button, Control Panel, Network and Internet Connections and then Windows Firewall. Make sure that Windows Firewall on the General tab is set to On. 2 Click the Advanced tab and Settings... button of the Network Connection Settings. 3 Click the Add button. 4 To add port 54925 for network scanning, enter the information below: <ol style="list-style-type: none"> 1. In Description of service: Enter any description, for example "Brother Scanner". 2. In Name or IP address (for example 192.168.0.12) of the computer hosting this service on your network: Enter "Localhost". 3. In External Port number for this service: Enter "54925". 4. In Internal Port number for this service: Enter "54925". 5. Make sure UDP is selected. 6. Click OK. 5 Click the Add button. 6 To add port 54926 for network PC Fax, enter the information below: <ol style="list-style-type: none"> 1. In Description of service: Enter any description, for example "Brother PC Fax". 2. In Name or IP address (for example 192.168.0.12) of the computer hosting this service on your network: Enter "Localhost". 3. In External Port number for this service: Enter "54926". 4. In Internal Port number for this service: Enter "54926". 5. Make sure UDP is selected. 6. Click OK. 7 If you still have trouble with your network connection, click the Add button. 8 To add port 137 for network scanning, network printing and network PC Fax receiving, enter the information below: <ol style="list-style-type: none"> 1. In Description of service: - Enter any description, for example "Brother PC Fax receiving" 2. In Name or IP address (for example 192.168.0.12) of the computer hosting this service on your network: Enter "Localhost". 3. In External Port number for this service: Enter "137". 4. In Internal Port number for this service: Enter "137". 5. Make sure UDP is selected. 6. Click OK. 9 Make sure if the new setting is added and is checked, and then click OK.



Network difficulties (continued)

Difficulties	Suggestions
<p>The network scanning feature does not work.</p> <p>The network PC Fax Receive feature does not work.</p> <p>The network printing feature does not work.</p> <p>(continued)</p>	<p>For Windows Vista™ users:</p> <ol style="list-style-type: none"> 1 Click the Start button, Control Panel, Network and Internet, Windows Firewall and click Change settings. 2 When the User Account Control screen appears, do the following. <ul style="list-style-type: none"> ■ Users who have administrator rights: Click Continue. ■ For users who do not have administrator rights: Enter the administrator password and click OK. 3 Make sure that Windows Firewall on the General tab is set to On. 4 Click the Exceptions tab. 5 Click the Add port... button. 6 To add port 54925 for network scanning, enter the information below: <ol style="list-style-type: none"> 1. In Name: Enter any description, for example "Brother Scanner". 2. In Port number: Enter "54925". 3. Make sure UDP is selected. Then click OK. 7 Click the Add port... button. 8 To add port 54926 for Network PC Fax, enter the information below: <ol style="list-style-type: none"> 1. In Name: Enter any description, for example "Brother PC Fax". 2. In Port number: Enter "54926". 3. Make sure UDP is selected. Then click OK. 9 Make sure that the new setting is added and is checked, and then click Apply. 10 If you still have trouble with your network connection such as network scanning or printing, check File and Printer Sharing box in the Exceptions tab and then click Apply.
<p>Your computer cannot find your machine.</p>	<p>For Windows® users: The firewall setting on your PC may be rejecting the necessary network connection. For details, see the instruction above.</p> <p>For Macintosh® users: Re-select your machine in the DeviceSelector application located in Macintosh HD/Library/Printers/Brother/Utilities or from the Model pop-up menu of ControlCenter2.</p>



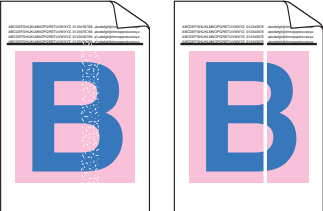
Improving the print quality

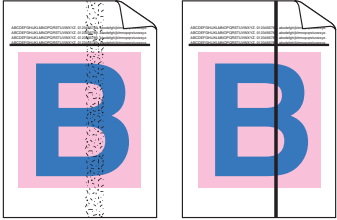
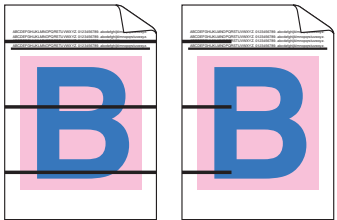

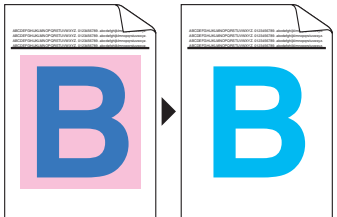
If you have a print quality problem, print a test page first (**Menu, 4, 2, 3**). If the printout looks good, the problem is probably not the machine. Check the interface cable or try the machine on another computer.

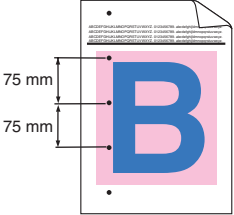

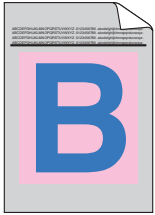
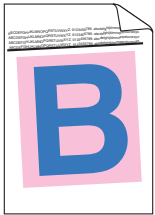


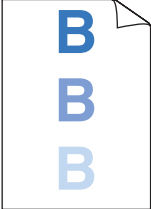
Note

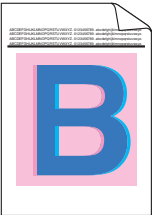
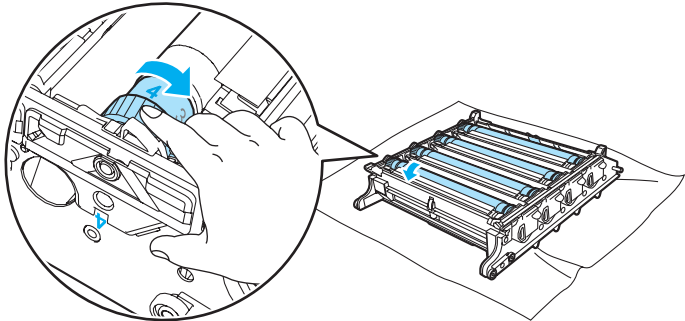
You can resolve a print quality problem by replacing a toner cartridge with a new one when the LCD shows the `Toner Life End` message.

Examples of poor print quality	Recommendation
<p>White lines or bands or ribbing across the page</p> 	<ul style="list-style-type: none"> ■ Make sure that the machine is on a solid level surface. ■ Make sure that the toner cartridges are installed properly. (See <i>Replacing a toner cartridge</i> on page 155.) ■ Shake the toner cartridges gently. ■ Make sure that the drum unit is installed properly. (See <i>Replacing the drum unit</i> on page 160.) ■ Make sure that you use paper that meets our specifications. A rough surfaced paper or thick print media can cause the problem. (See <i>Acceptable paper and other media</i> on page 9.) ■ Clean the laser scanner windows with a soft cloth. (See <i>Cleaning the laser scanner windows</i> on page 138.) ■ The drum unit may be damaged. Put in a new drum unit. (See <i>Replacing the drum unit</i> on page 160.)
<p>Colors are light or unclear on the whole page.</p> 	<ul style="list-style-type: none"> ■ Make sure that the recommended paper was used. ■ Change the paper to freshly unpacked paper. ■ Make sure that the front cover is closed properly. ■ Shake the toner cartridges gently. ■ Clean the laser scanner windows with a soft cloth. (See <i>Cleaning the laser scanner windows</i> on page 138.) ■ Turn off Toner Save. (See <i>Toner save</i> on page 24.)
<p>White streaks or bands down the page</p> 	<ul style="list-style-type: none"> ■ Shake the toner cartridges gently. ■ Clean the laser scanner windows with a soft cloth. (See <i>Cleaning the laser scanner windows</i> on page 138.) ■ One of the toner cartridges may be damaged. Identify the missing color and put in a new toner cartridge. (See <i>Replacing a toner cartridge</i> on page 155.)


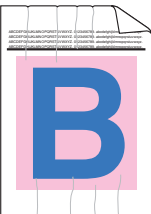
Examples of poor print quality	Recommendation
<p>Colored streaks or bands down the page</p> 	<ul style="list-style-type: none"> ■ One of the toner cartridges may be damaged. Replace the toner cartridge that matches the color of the streak or band. (See <i>Replacing a toner cartridge</i> on page 155.) ■ Clean all four corona wires (one for each color) of the drum unit by sliding the green tab. (See <i>Cleaning the corona wires</i> on page 142.) ■ Make sure each corona wire's green tab is at the home position (▼). ■ The drum unit may be damaged. Put in a new drum unit. (See <i>Replacing the drum unit</i> on page 160.) ■ The fuser unit may have a smudge mark. Call Brother or your dealer for service.
<p>Colored lines across the page</p> 	<ul style="list-style-type: none"> ■ One of the toner cartridges may be damaged. Replace the toner cartridge that matches the color of the line. (See <i>Replacing a toner cartridge</i> on page 155.) ■ The drum unit may be damaged. Put in a new drum unit. (See <i>Replacing the drum unit</i> on page 160.) ■ Clean all four corona wires (one for each color) of the drum unit by sliding the green tab. (See <i>Cleaning the corona wires</i> on page 142.) ■ Clean the laser scanner windows with a soft cloth. (See <i>Cleaning the laser scanner windows</i> on page 138.)
<p>White spots or hollow print</p> 	<ul style="list-style-type: none"> ■ Make sure that you use paper that meets our specifications. (See <i>Acceptable paper and other media</i> on page 9.) ■ Make sure that the recommended paper was used. ■ Choose Thick paper mode in the printer driver or in the machine's Paper Type menu setting, or use thinner paper than you are currently using. (See <i>Paper type</i> on page 20 and <i>Basic tab in the Software User's Guide on the CD-ROM</i>.) ■ Change the paper to fresh, unopened paper. ■ Check the machine's environment. Conditions such as high humidity can cause hollow print. (See <i>Choosing a location</i> on page 88.) ■ Clean all four corona wires (one for each color) of the drum unit by sliding the green tab. (See <i>Cleaning the corona wires</i> on page 142.) If the print quality has not improved, put in a new drum unit. (See <i>Replacing the drum unit</i> on page 160.)
<p>Completely blank or some colors are missing.</p> 	<ul style="list-style-type: none"> ■ Make sure that the toner cartridges are installed properly. (See <i>Replacing a toner cartridge</i> on page 155.) ■ One of the toner cartridges may be damaged. Identify the missing color and put in a new toner cartridge for the color with the white line. (See <i>Replacing a toner cartridge</i> on page 155.) ■ The drum unit may be damaged. Put in a new drum unit. (See <i>Replacing the drum unit</i> on page 160.)


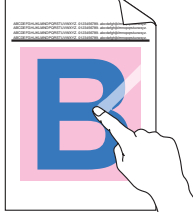
Examples of poor print quality	Recommendation
<p>Colored spots at 75 mm</p> 	<ul style="list-style-type: none"> ■ Dust, paper powder, glue, and so on may stick to the surface of the photosensitive drum (OPC) and cause black or white spots to appear on printed documents. ■ Make a few copies of a blank, white sheet of paper. (See <i>Making multiple copies</i> on page 68.) ■ If you still see the spots on printed documents after making multiple copies, clean the drum unit. (See <i>Cleaning the drum unit</i> on page 145.) ■ If the print quality still has not improved you need to install a new drum. (See <i>Replacing the drum unit</i> on page 160.)
<p>Toner scatter or toner stain</p> 	<ul style="list-style-type: none"> ■ Check the machine's environment. Conditions such as high humidity and high temperatures may cause this print quality problem. (See <i>Choosing a location</i> on page 88.) ■ Make sure that you use paper that meets our specifications. Rough-surfaced paper may cause the problem. (See <i>Acceptable paper and other media</i> on page 9.) ■ Install a new toner cartridge for the color causing the problem. (See <i>Replacing a toner cartridge</i> on page 155.) ■ Clean the corona wires and the drum unit for the color causing the problem. (See <i>Cleaning the corona wires</i> on page 142 and <i>Cleaning the drum unit</i> on page 145.) If the print quality has not improved, put in a new drum unit. (See <i>Replacing the drum unit</i> on page 160.)
<p>Grey or colored background</p> 	<ul style="list-style-type: none"> ■ Make sure that you use paper that meets our specifications. (See <i>Acceptable paper and other media</i> on page 9.) ■ Check the machine's environment. Conditions such as high temperatures and high humidity can increase the amount of background shading. (See <i>Choosing a location</i> on page 88.) ■ Install a new toner cartridge for the color causing the problem. (See <i>Replacing a toner cartridge</i> on page 155.) ■ Clean the corona wires and the drum unit for the color causing the problem. (See <i>Cleaning the corona wires</i> on page 142 and <i>Cleaning the drum unit</i> on page 145.) If the print quality has not improved, put in a new drum unit. (See <i>Replacing the drum unit</i> on page 160.)
<p>Page skewed</p> 	<ul style="list-style-type: none"> ■ Make sure the paper or other print media is loaded properly in the paper tray and that the guides are not too tight or too loose against the paper stack. ■ Set the paper guides correctly. ■ The paper tray may be too full. ■ Make sure that you use paper that meets our specifications. (See <i>Acceptable paper and other media</i> on page 9.)

Examples of poor print quality	Recommendation
<p>Ghost</p> 	<ul style="list-style-type: none"> ■ Make sure that you use paper that meets our specifications. Rough-surfaced paper or thick paper may cause the problem. (See <i>Acceptable paper and other media</i> on page 9.) ■ Make sure that you choose the correct media type in the printer driver or in the machine's Paper Type menu setting. (See <i>Acceptable paper and other media</i> on page 9 and <i>Basic tab in the Software User's Guide on the CD-ROM.</i>) ■ The drum unit may be damaged. Put in a new drum unit. (See <i>Replacing the drum unit</i> on page 160.)
<p>The color of your printouts are not what you expected.</p>	<ul style="list-style-type: none"> ■ Make sure that the toner cartridges are installed properly. (See <i>Replacing a toner cartridge</i> on page 155.) ■ Make sure that the toner cartridges are not empty. (See <i>Toner life end message</i> on page 155.) ■ Make sure that the drum unit is installed properly. (See <i>Replacing the drum unit</i> on page 160.) ■ Make sure that the belt unit is installed properly. (See <i>Replacing the belt unit</i> on page 167.) ■ Perform the calibration by using the control panel. Press Menu, 4, 5. <ol style="list-style-type: none"> 1 Press OK to select <i>Calibrate</i>. 2 Press 1 to select <i>Yes</i>. <p>(For more information, See <i>Software User's Guide on the CD-ROM.</i>)</p> <ul style="list-style-type: none"> ■ Adjust the color by using the custom setting in the printer driver. Colors the machine can print and colors you see on a monitor are different. The machine may not be able to reproduce the colors on your monitor. ■ Make sure that you use paper that meets our specifications. (See <i>Acceptable paper and other media</i> on page 9.) ■ The drum unit may be damaged. Put in a new drum unit. (See <i>Replacing the drum unit</i> on page 160.) ■ Put in a new belt unit. (See <i>Replacing the belt unit</i> on page 167.)
<p>All one color</p>	<ul style="list-style-type: none"> ■ Clean the corona wires and the drum unit for the color causing the problem. (See <i>Cleaning the corona wires</i> on page 142 and <i>Cleaning the drum unit</i> on page 145.) If the print quality has not improved, put in a new drum unit. (See <i>Replacing the drum unit</i> on page 160.) ■ The drum unit may be damaged. Put in a new drum unit. (See <i>Replacing the drum unit</i> on page 160.)

Examples of poor print quality	Recommendation
<p>Color misregistration</p> 	<ul style="list-style-type: none"> ■ Make sure that the drum unit is installed properly. (See <i>Replacing the drum unit</i> on page 160.) ■ Make sure that the belt unit is installed properly. (See <i>Replacing the belt unit</i> on page 167.) ■ Make sure that the waste toner box is installed properly. (See <i>Replacing the waste toner box</i> on page 172.) ■ Perform the auto color registration by using the control panel. Press Menu, 4, 6, 1. <p>or</p> <ul style="list-style-type: none"> ■ Perform the manual color registration by using the control panel. <ol style="list-style-type: none"> 1 Print the correction chart by using the control panel. Press Menu, 4, 7, 1. 2 Enter the correction value on the chart. Press Menu, 4, 7, 2. <p>If the color misregistration is not corrected after registering the color manually, take all the toner cartridges out of the drum unit and turn the drum unit over, then make sure that four drum unit gears are in the home position. The home position of each drum can be identified by matching the number on the drum unit gear to the same number on the side of the drum unit as shown in the illustration.</p>  <ul style="list-style-type: none"> ■ The drum unit may be damaged. Put in a new drum unit. (See <i>Replacing the drum unit</i> on page 160.) ■ Put in a new belt unit. (See <i>Replacing the belt unit</i> on page 167.) ■ Put in a new waste toner box. (See <i>Replacing the waste toner box</i> on page 172.) ■ If solid areas of color or images have cyan, magenta or yellow fringes, you can use the auto-registration feature to correct the problem.

C

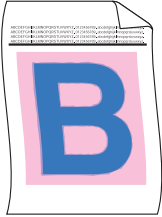
Examples of poor print quality	Recommendation
<p>Uneven density appears periodically across the page</p> 	<ul style="list-style-type: none"> ■ Identify the color that is uneven and put in a new toner cartridge for that color. (See <i>Replacing a toner cartridge</i> on page 155.) ■ The drum unit may be damaged. Put in a new drum unit. (See <i>Replacing the drum unit</i> on page 160.) ■ Make sure that the fuser unit is installed properly.
<p>Missing image at edge</p>	<ul style="list-style-type: none"> ■ Make sure that the toner cartridges are installed properly. (See <i>Replacing a toner cartridge</i> on page 155.) ■ Make sure that the drum unit is installed properly. (See <i>Replacing the drum unit</i> on page 160.) ■ One of the toner cartridges may be damaged. Identify the missing color and put in a new toner cartridge for the color with the white line. (See <i>Replacing a toner cartridge</i> on page 155.) ■ The drum unit may be damaged. Put in a new drum unit. (See <i>Replacing the drum unit</i> on page 160.)
<p>Missing image at thin line</p>	<ul style="list-style-type: none"> ■ If you are using a Windows® printer driver, open Properties window, and then click Printing Preferences. Choose the Advanced tab, Device Options, Print Setting, and then check the Improve pattern printing or Improve Thin Line boxes.
<p>Wrinkle</p> 	<ul style="list-style-type: none"> ■ Check the paper type and quality. (See <i>Acceptable paper and other media</i> on page 9.) ■ Make sure that the back cover is closed properly. ■ Make sure that paper is loaded properly. ■ Make sure that you choose the correct media type in the printer driver or in the machine's Paper Type menu setting. (See <i>Acceptable paper and other media</i> on page 9 and <i>Basic tab in the Software User's Guide on the CD-ROM</i>.) ■ Turn over the stack of paper in the tray or rotate the paper 180° in the input tray. ■ Make sure that the drum unit is installed properly. (See <i>Replacing the drum unit</i> on page 160.) ■ Make sure that the fuser unit is installed properly. ■ If the problem continues, call your Brother dealer.
<p>Insufficient gloss</p>	<ul style="list-style-type: none"> ■ Check the paper type and quality. (See <i>Acceptable paper and other media</i> on page 9.)

Examples of poor print quality	Recommendation
<p>Offset image</p> 	<ul style="list-style-type: none"> ■ Check the machine's environment. Conditions such as high temperatures and humidity can cause this problem. (See <i>Choosing a location</i> on page 88.) ■ Make sure that you use paper that meets our specifications. (See <i>Acceptable paper and other media</i> on page 9.) ■ Make sure that you choose the correct media type in the printer driver or in the machine's Paper Type menu setting. (See <i>Acceptable paper and other media</i> on page 9 and <i>Basic tab in the Software User's Guide on the CD-ROM.</i>) ■ The drum unit may be damaged. Put in a new drum unit. (See <i>Replacing the drum unit</i> on page 160.)
<p>Poor fixing</p> 	<ul style="list-style-type: none"> ■ Make sure that you use paper that meets our specifications. (See <i>Acceptable paper and other media</i> on page 9.) ■ Make sure that you choose the correct media type in the printer driver or in the machine's Paper Type menu setting. (See <i>Acceptable paper and other media</i> on page 9 and <i>Basic tab in the Software User's Guide on the CD-ROM.</i>) ■ Make sure that the release lever of the fuser unit is in the closed position. ■ If the problem continues, call your Brother dealer.
<p>Poor fixing when printed on thick paper</p>	<ul style="list-style-type: none"> ■ Choose Thick paper mode in the printer driver or in the machine's Paper Type menu setting. (See <i>Paper type</i> on page 20 and <i>Basic tab in the Software User's Guide on the CD-ROM.</i>) ■ Make sure that you use paper that meets our specifications. (See <i>Acceptable paper and other media</i> on page 9.)

Examples of poor print quality

Recommendation

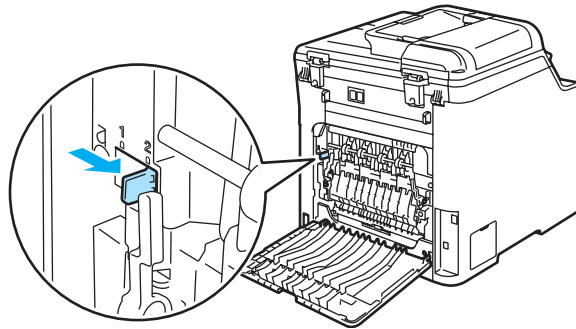
Curled or wave



- Make sure that you choose the correct media type in the printer driver or in the machine's Paper Type menu setting. (See *Acceptable paper and other media* on page 9 and *Basic tab in the Software User's Guide on the CD-ROM*.)
- Check the paper type and quality. High temperatures and high humidity will cause paper to curl.
- If you do not use the machine often, the paper may have been in the paper tray too long. Turn over the stack of paper in the paper tray. Also, fan the paper stack and then rotate the paper 180° in the paper tray.

■ Follow these steps:

- 1 Open the back cover.
- 2 Push the grey lever to the right as shown below.





- 3 Close the back cover and re-send the print job.



Note

When you have finished printing, open the back cover and reset the lever back to the original position.

Examples of poor print quality	Recommendation
<p data-bbox="141 291 336 320">Envelope creases</p> 	<ol style="list-style-type: none"> <li data-bbox="498 340 783 378">1 Open the back cover. <li data-bbox="498 397 1254 494">2 Pull down the two grey levers, one on the left-hand side and one on the right-hand side to the envelope position, as shown in the illustration below. <li data-bbox="498 909 1053 948">3 Close the back cover and re-send the print job. <div data-bbox="577 523 1170 880" style="text-align: center;"> </div> <p data-bbox="498 967 1254 1078">  Note _____ When you have finished printing, open the back cover and reset the two grey levers back to the original position. </p>

C

Examples of poor print quality

White lines or ribbing down the page on duplex print



Note

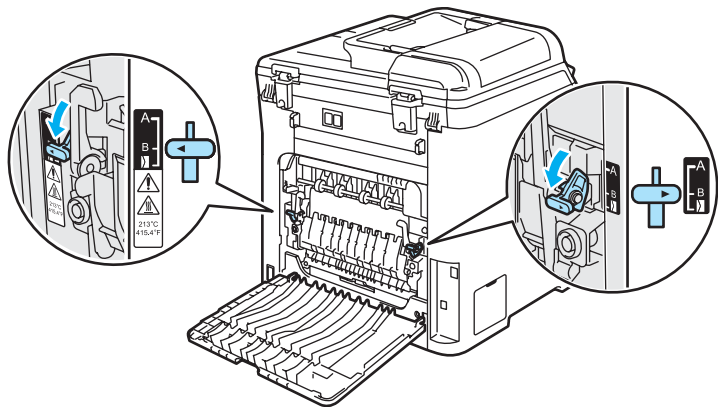
Position B is only for duplex printing with recycled paper when the temperature and humidity are low.

Recommendation

- Choose **Plain Paper** mode in the printer driver and re-send the print job.

If the problem is not solved after printing a few pages, follow these steps:

- 1 Open the back cover.
- 2 Pull down the two grey levers, one on the left-hand side and one on the right-hand side, to position B as shown in the illustration below.




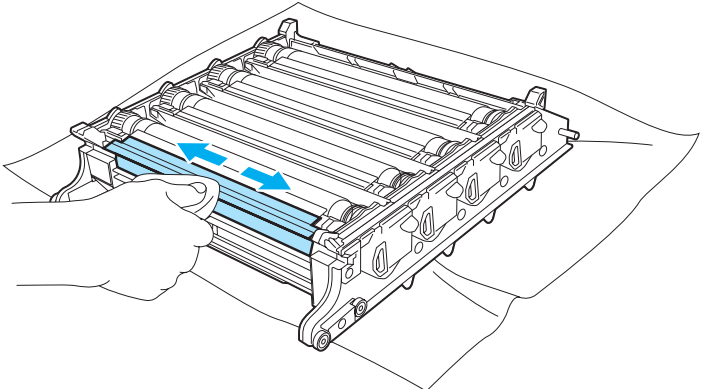
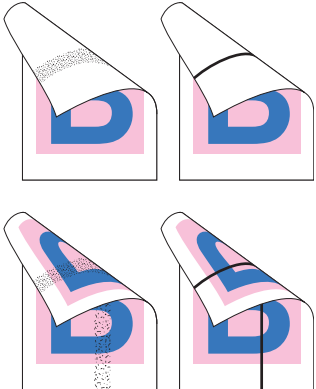
- 3 Close the back cover.
- 4 Choose **Plain Paper (Thick)** mode in the printer driver and re-send the print job.
- 5 If the problem is not solved after printing a few pages, choose **Plain Paper** mode in the printer driver and re-send the print job.



Note

When you have finished printing, open the back cover and reset the two grey levers back to the original position.

- Use thicker paper than you are now using.

Examples of poor print quality	Recommendation
<p data-bbox="141 291 477 349">Toner scatter or toner stain on the edge of duplex pages</p> 	<div data-bbox="498 295 1256 359" style="background-color: #cccccc; padding: 5px;"> <p>! CAUTION</p> </div> <p data-bbox="515 374 1252 463">We recommend that you place the drum unit and toner cartridges on a clean, flat surface with a piece of disposable paper underneath them in case you accidentally spill or scatter toner.</p> <hr/> <p data-bbox="515 498 1094 527">DO NOT touch the surface of the photosensitive drum.</p> <hr/> <p data-bbox="529 600 1252 687">Take all the toner cartridges out of the drum unit and turn the drum unit over. Wipe the toner on the edge of drum unit with a dry lint free soft cloth as shown in the illustration.</p> 
<p data-bbox="141 1132 477 1221">Colored streaks or bands down the reverse side of printed pages</p> 	<ul style="list-style-type: none"> <li data-bbox="504 1132 1252 1190">■ Replace the waste toner box with new one. (See <i>Replacing the waste toner box</i> on page 172.)

Setting dial tone detection

When you send a fax automatically, by default your machine will wait for a fixed amount of time before it starts to dial the number. By changing the Dial Tone setting to *Detection* you can make your machine dial as soon as it detects a dial tone. This setting can save a small amount of time when sending a fax to many different numbers. If you change the setting and start having problems with dialling you should change back to the default *No Detection* setting.

- 1 Press **Menu**, **0**, **5**.

```
Initial Setup
5.Dial Tone
```

- 2 Press **▲** or **▼** to choose *Detection* or *No Detection*. Press **OK**.
- 3 Press **Stop/Exit**.

Telephone line interference

If you are having difficulty sending or receiving a fax due to possible interference on the telephone line, you can reduce the fax speed to minimise errors.

- 1 Press **Menu**, **2**, **0**, **1**.

```
Miscellaneous
1.Compatibility
```

- 2 Press **▲** or **▼** to choose *Basic (for VoIP)* or *Normal* (or *High*).

- *Basic (for VoIP)* cuts the modem speed to 9600 bps. and turns the error correction mode (ECM) off.

For a standard telephone line: If you regularly experience interference on your standard telephone line try this setting.

If you are using VoIP: VoIP service providers offer fax support using various standards. If you regularly experience fax transmission errors try this setting.

- *Normal* sets the modem speed at 14400 bps.
- *High* sets the modem speed at 33600 bps.

Press **OK**.

- 3 Press **Stop/Exit**.



Note

When you change the compatibility to *Basic (for VoIP)*, the ECM feature is only available for color fax sending.

Error and maintenance messages

As with any sophisticated office product, error and maintenance messages may be displayed. The most common error and maintenance messages are shown below.

Error Message	Cause	Action
Access Error	The device is removed from the USB direct interface while the data is processing.	Press Stop/Exit . Reinsert the device and try to print with direct print or PictBridge.
Calibrate	Calibration failed.	<p>Press Mono Start or Color Start and try it again.</p> <p>Do one of the following:</p> <ul style="list-style-type: none"> ■ Turn off the machine's power switch. Wait a few seconds, then turn it on again. ■ Put in a new drum unit. (See <i>Replacing the drum unit</i> on page 161.) ■ Put in a new belt unit. (See <i>Replacing the belt unit</i> on page 167.) ■ Put in a waste toner box. (See <i>Replacing the waste toner box</i> on page 172.) ■ If the problem continues, call your Brother dealer.
<p>Cartridge Error</p> <p>Put the Black (K) Toner Cartridge back in.¹</p> <p>¹ The toner cartridge color with the problem is shown in the message.</p>	The toner cartridge is not installed properly.	Pull out the drum unit, take out the toner cartridge that is indicated on the LCD, and put it back into the drum unit again.
Change Belt Unit	It is time to replace the belt unit.	Replace the belt unit. (See <i>Replacing the belt unit</i> on page 167.)
Change PF Kit MP	It is time to replace the paper feeding kit for the MP tray.	Call your Brother dealer to purchase the PF Kit MP.
Change PF Kit 1	It is time to replace the paper feeding kit for Tray 1.	Call your Brother dealer to purchase the PF Kit 1.
Change PF Kit 2	It is time to replace the paper feeding kit for Tray 2.	Call your Brother dealer to purchase the PF Kit 2.
Check Paper Size	The paper in the tray is not the correct size.	Load the correct size of paper in the tray and set the "Paper Size" (Menu, 1, 3) and "Tray Use" (Menu, 1, 6). (See <i>Paper size</i> on page 21, <i>Tray use in copy mode</i> on page 21, <i>Tray use in fax mode</i> on page 22 and <i>Tray use in print mode</i> on page 22.)

Error Message	Cause	Action
Comm. Error	Poor telephone line quality caused a communication error.	Try sending the fax again or try connecting the machine to another telephone line. If the problem continues, call the telephone company and ask them to check your telephone line.
Connection Fail	You tried to poll a fax machine that is not in Polled Waiting mode.	Check the other fax machine's polling setup.
Cooling Down Wait for a while	The temperature of the drum unit or toner cartridge is too hot. The machine will pause its current print job and go into cooling down mode. During the cooling down mode, you will hear the cooling fan running while the LCD shows <i>Cooling Down, and Wait for a while.</i>	<p>Make sure that you can hear the fan in the machine spinning and that the exhaust outlet isn't blocked by something.</p> <p>If the fan is spinning, remove any obstacles that surround the exhaust outlet, and then leave the machine turned on but do not use it for several minutes.</p> <p>If the fan is not spinning follow the suggestions below.</p> <p>Turn off the machine's power switch and then turn it on again. If the error message continues leave the machine for several minutes and then try it again. (The machine can be turned off for up to 4 days without losing faxes stored in the memory.)</p>
Cover is open Close the Front Cover	The front cover is not closed completely.	Close the front cover of the machine.
Cover is open Close the Back Cover	The back cover is not closed completely.	Close the back cover of the machine.
Disconnected	The other person or other person's fax machine stopped the call.	Try to send or receive again.
Document Jam	The document was not inserted or fed properly, or the document scanned from the ADF was too long.	See <i>Document jams</i> on page 125 or <i>Using the ADF (automatic document feeder)</i> on page 18.
Drum End Soon	The drum unit is near the end of its life.	Use the drum unit until you have a print quality problem; then replace the drum unit with a new one. (See <i>Replacing the drum unit</i> on page 160.)
	The drum unit counter was not reset when a new drum was installed.	Press Menu , 8 , 4 , and then ▲ or ▼ to choose <i>Drum</i> . Press OK and press 1 to reset the drum unit counter.
Drum Error	The corona wires on the drum unit needs to be cleaned.	Clean the four corona wires on the drum unit. (See <i>Cleaning the corona wires</i> on page 142.)
EL Error	The machine has a mechanical problem.	Open the front cover and close it again.

Error Message	Cause	Action
Fuser Error	The temperature of fuser unit does not rise at a specified temperature within specified time.	Turn the power switch off, wait a few seconds, and then turn it on again. Leave the machine for 15 minutes with the power on. The machine can be turned off for up to 4 days without losing faxes stored in the memory. (See <i>Checking if the machine has faxes in its memory</i> on page 124.)
	The fuser unit is too hot.	
Fuser Unit End	It is time to replace the fuser unit.	Call your Brother dealer to purchase the fuser unit.
Init Unable XX (XX =Error Code)	The machine has a mechanical problem.	Turn off the machine's power switch and then turn it on again. If the error message continues leave the machine for several minutes and then try to print, copy or scan again. The machine can be turned off for up to 4 days without losing faxes stored in the memory. (See <i>Checking if the machine has faxes in its memory</i> on page 124.)
Jam Rear	The paper is jammed in the back of the machine.	(See <i>Paper jams</i> on page 126.)
Jam Inside	The paper is jammed inside the machine.	(See <i>Paper jams</i> on page 126.)
Jam MP Tray	The paper is jammed in the MP tray of the machine.	(See <i>Paper jams</i> on page 126.)
Jam Tray 1 Jam Tray 2	The paper is jammed in the paper tray of the machine.	(See <i>Paper jams</i> on page 126.)
Laser Unit End	It is time to replace the laser unit.	Call your Brother dealer to purchase the laser unit.
Low Temperature	The temperature of the machine is too cold.	Increase room temperature to allow the machine to operate.
No Belt Unit	The belt unit is not installed.	Install the belt unit. (See <i>Replacing the belt unit</i> on page 167.)
No Drum Unit	The drum unit is not installed.	Install the drum unit. (See <i>Replacing the drum unit</i> on page 160.)
No Paper	The machine is out of paper or paper is not properly loaded in the paper tray.	Do one of the following: <ul style="list-style-type: none"> ■ Refill the paper in the paper tray or MP tray. ■ Remove the paper and load it again.
No Response/Busy	The number you dialled does not answer or is busy.	Verify the number and try again.
No Tray	The paper tray is not completely closed.	Close the paper tray properly.
No Waste Toner	The waste toner box is not installed.	Install the waste toner box. (See <i>Replacing the waste toner box</i> on page 172.)
Not Registered	You tried to access a One-Touch or Speed Dial number that is not programmed.	Set up the One-Touch or Speed Dial number. (See <i>Storing one-touch dial numbers</i> on page 50 and <i>Storing speed-dial numbers</i> on page 51.)



Error Message	Cause	Action
Out of Memory	The machine's memory is full.	<p>Fax sending or copy operation in progress</p> <p>Do one of the following:</p> <ul style="list-style-type: none"> ■ Press Mono Start or Color Start to send or copy the scanned pages. ■ Press Stop/Exit and wait until the other operations in progress finish, and then try again. ■ Clear the data from the memory. (See <i>Out of memory message</i> on page 38 or page 75.) <p>Print operation in process</p> <p>Do one of the following:</p> <ul style="list-style-type: none"> ■ Reduce print resolution. (See <i>Advanced tab in the Software User's Guide on the CD-ROM.</i>) ■ Clear the faxes from the memory. (See <i>Out of memory message</i> on page 75.)
Print Unable XX (XX =Error Code)	The machine has a mechanical problem.	Turn off the machine's power switch and then turn it on again. If the error message continues leave the machine for several minutes and then try to print, copy or scan again. The machine can be turned off for up to 4 days without losing faxes stored in the memory. (See <i>Checking if the machine has faxes in its memory</i> on page 124.)
Protected Device	The protect switch of the USB flash memory drive is On.	Turn off the protect switch of the USB flash memory drive.
Registration	Registration failed.	<p>Press Mono Start/Color Start and try it again.</p> <p>Do one of the following:</p> <ul style="list-style-type: none"> ■ Try Manual Registration, Menu, 4, 7. (See <i>Manual Registration</i> in the Software User's Guide on the CD-ROM.) ■ Put in a new belt unit. (See <i>Replacing the belt unit</i> on page 167.) ■ Put in a new drum unit. (See <i>Replacing the drum unit</i> on page 160.) ■ Replace the empty toner cartridge with a new one. (See <i>Replacing a toner cartridge</i> on page 155.) ■ Turn off the machine's power switch. Wait a few seconds, then turn it on again. ■ If the problem continues, call your Brother dealer.
Rename the File	There is already a file on the USB flash memory drive with the same name as the file you are trying to save.	Change the file name of the file on the USB flash memory drive or the file you are trying to save.

Error Message	Cause	Action
Scan Unable XX (XX =Error Code)	The machine has a mechanical problem.	Turn off the machine's power switch and then turn it on again. If the error message continues leave the machine for several minutes before you try it again. The machine can be turned off for up to 4 days without losing faxes stored in the memory. (See <i>Checking if the machine has faxes in its memory</i> on page 124.)
Toner Life End Replace Black(K) Toner Cartridge. ¹ ¹ The toner cartridge color which is used up is shown in the message.	The drum unit and toner cartridges assembly is not installed properly, or one or more of the toner cartridges are used up and printing is not possible.	Do one of the following: <ul style="list-style-type: none"> ■ Re-install the toner cartridges and drum unit assembly. ■ Replace the empty toner cartridge with a new one. (See <i>Replacing a toner cartridge</i> on page 155.) ■ If one of the color toner cartridges is empty, choose Mono in the printer driver to be able to continue printing in monochrome.
Toner Low Prepare New Black(K) Toner Cartridge. ¹ ¹ The toner cartridge color which is near the end of life is shown in the message.	If the LCD shows Toner Low, you can still print; however, the machine is telling you that the toner cartridge is near the end of its life and the toner will soon run out.	Order a new toner cartridge now for the toner cartridge color that is low.
Too Many Files	There are too many files stored on the USB flash memory drive.	Reduce the number of files stored on the USB flash memory drive.
Unusable Device	An incompatible or broken device has been connected to the USB direct interface.	Remove the USB flash memory drive from the USB direct interface.
Waste Toner Full	It is time to replace the waste toner box.	Replace the waste toner box. (See <i>Replacing the waste toner box</i> on page 172.)
Waste Toner Soon	The waste toner box is almost full.	Be ready to replace the waste toner box. (See <i>Replacing the waste toner box</i> on page 172.)
Wrong Paper Size	The paper in the tray is not the correct size or the tray is empty.	Load the correct size of paper in the tray.



Checking if the machine has faxes in its memory

If the LCD shows an error message then you can check to see if there are faxes in the machine's memory.

- 1 Press **Menu**, **9**, **0**, **1**.
- 2 Do one of the following:
 - If the LCD shows `No Data`, there are no faxes left in the machine's memory. Press **OK**.
 - If the LCD shows `Enter Fax No.`, there are faxes in the machine's memory.
 - You can send the faxes to another fax machine. (See *Transferring faxes to another fax machine* on page 124.)
 - You can send the faxes from the machine's memory to your PC. (See *Transferring faxes to your PC* on page 124.)



Note

You can send the Fax Journal report to another fax machine by pressing **Menu**, **9**, **0**, **2** in ❶.

Transferring faxes to another fax machine

If you have not set up your Station ID (See Quick Setup Guide), you cannot enter fax transfer mode.

- 1 Follow ❶ and ❷ in *Checking if the machine has faxes in its memory* on page 124.
- 2 Enter the fax number to which faxes will be sent.
- 3 Press **Mono Start** or **Color Start**.

Transferring faxes to your PC

You can move the faxes from your machine's memory to your PC.

- 1 If you have followed ❶ and ❷ in *Checking if the machine has faxes in its memory* on page 124, press **Stop/Exit**.
- 2 Make sure that you have installed **MFL-Pro Suite** on your PC, and then turn on **PC-FAX Receiving** on the PC. (For details about PC Fax Receive, see *PC-FAX receiving in the Software User's Guide on the CD-ROM*.)
- 3 Make sure that you have set **PC Fax Receive** on the machine. (See *PC fax receive* on page 55.) During setup the LCD will ask if you want to send the faxes to your PC.
- 4 Do one of the following:
 - To send all faxes to your PC, press **1**.
 - To exit and leave the faxes in the memory, press **2**.
- 5 The LCD will ask you the following message:

Backup Print
On

Backup Print
Off

Press **▲** or **▼** to choose **On** or **Off**. Press **OK**.
- 6 Press **Stop/Exit**.

 **Note**

If there is an error message on the machine's LCD after the faxes have been sent, disconnect the machine from the power source for several minutes, and then reconnect it.

If you choose Backup Print On, the machine will also print the fax at your machine so you will have a copy. This is a safety feature in case there is a power failure before the fax is forwarded or a problem at the receiving machine. The machine can store faxes up to 4 days if there is a power failure.

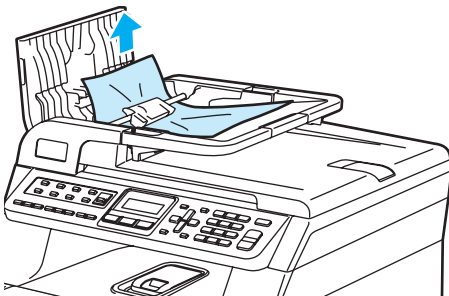
Document jams

If the document is jammed, follow the steps below.

Document is jammed in the top of the ADF unit

The document may get jammed if it is not inserted or fed properly, or if it is too long. Follow the steps below to clear a document jam.

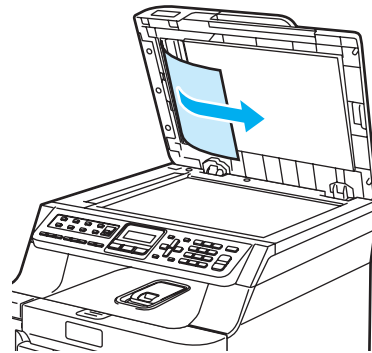
- 1 Take out any paper from the ADF that is not jammed.
- 2 Open the ADF cover.
- 3 Pull the jammed document out to the left.



- 4 Close the ADF cover.
- 5 Press **Stop/Exit**.

Document is jammed under the document cover

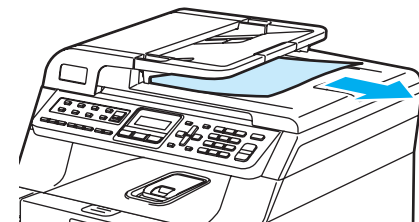
- 1 Take out any paper from the ADF that is not jammed.
- 2 Lift the document cover.
- 3 Pull the jammed document out to the right.



- 4 Close the document cover.
- 5 Press **Stop/Exit**.

Document is jammed at the output tray

- 1 Take out any paper from the ADF that is not jammed.
- 2 Pull the jammed document out to the right.



- 3 Press **Stop/Exit**.

C

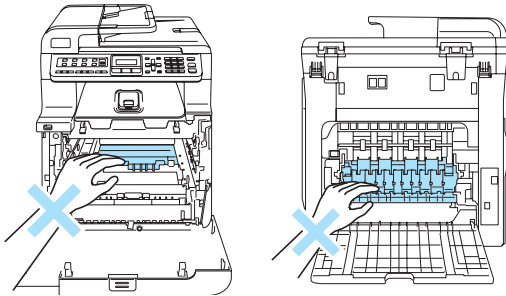
Paper jams

To clear paper jams, please follow the steps in this section.



HOT SURFACE

After you have just used the machine, some internal parts of the machine will be extremely hot. When you open the front or back cover of the machine, **DO NOT** touch the shaded parts shown in the illustration.



Note

The LCD names for the paper trays are as follows:

- Standard paper tray: Tray 1
- Optional lower tray: Tray 2
- Multi-purpose tray: MP Tray

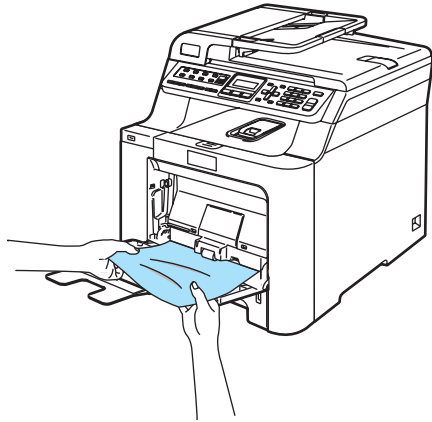
Paper is jammed in the MP tray

If the LCD shows Jam MP Tray, follow these steps:

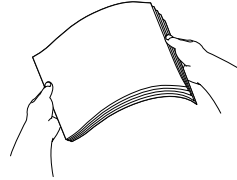
Jam MP Tray

- 1 Remove the paper from the MP tray.

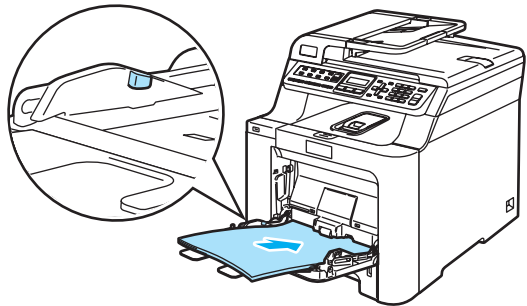
- 2 Remove any jammed paper from in and around the MP tray.



- 3 Close the MP tray. Then, open the front cover and close it to reset the machine. Open the MP tray again.
- 4 Fan the paper stack, and then put it back in the MP tray.



- 5 When loading paper in the MP tray, make sure that the paper stays under the maximum paper height guides on both sides of the tray.



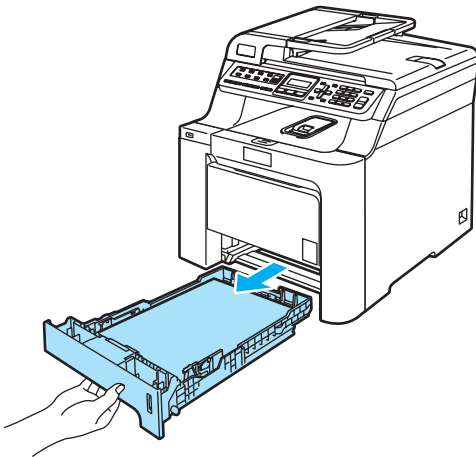
Paper is jammed in Paper Tray 1 or Tray 2

If the LCD shows Jam Tray 1 or Jam Tray 2, follow these steps.

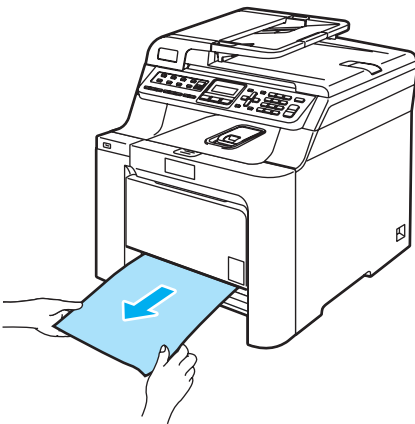
Jam Tray 1

Jam Tray 2

- 1 Pull the paper tray completely out of the machine.



- 2 Use both hands to slowly pull out the jammed paper.



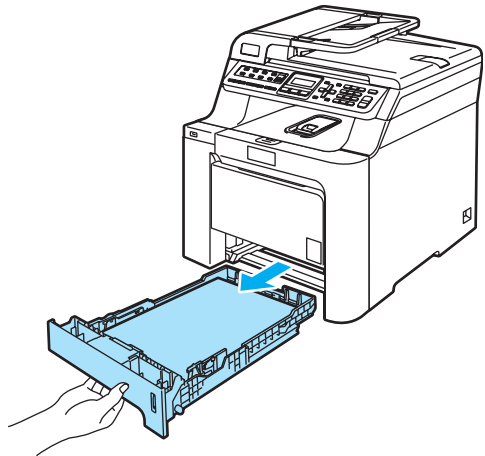
- 3 Make sure the paper is below the maximum paper mark. While pressing the green paper-guides release lever, slide the paper guides to fit the paper size. Make sure that the guides are firmly in the slots.
- 4 Put the paper tray firmly back in the machine.

Paper is jammed inside the machine

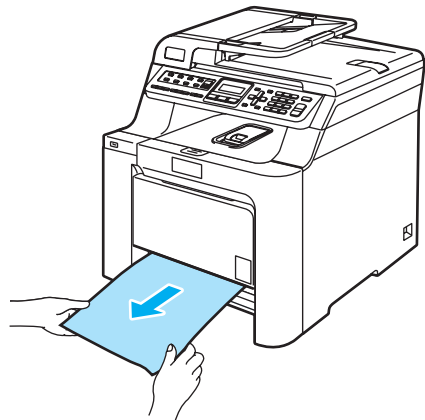
If the LCD shows Jam Inside, follow these steps:

Jam Inside

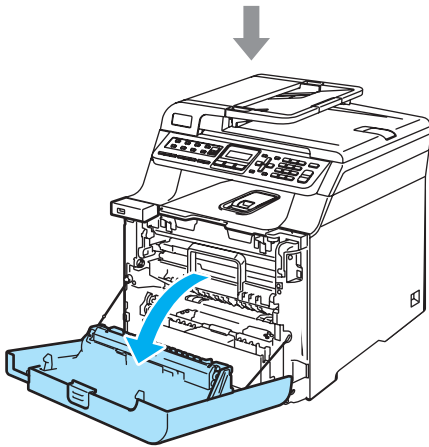
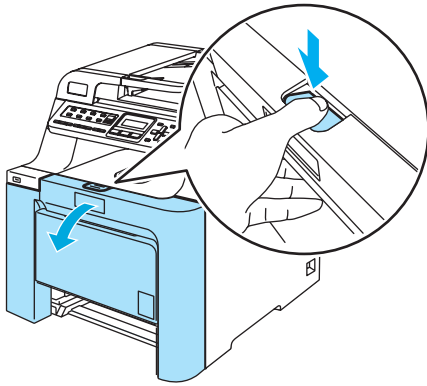
- 1 Pull the paper tray completely out of the machine.



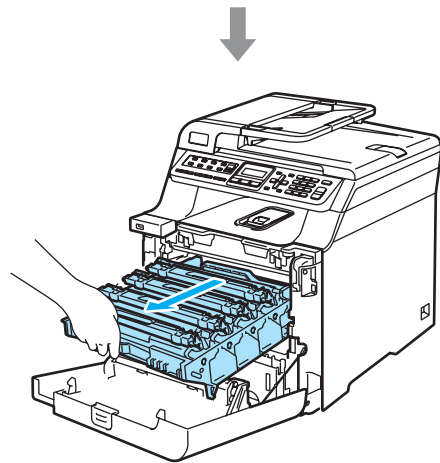
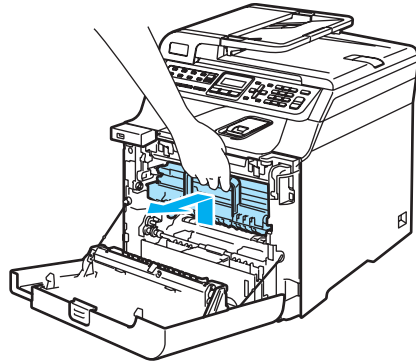
- 2 Use both hands to slowly pull out the jammed paper.



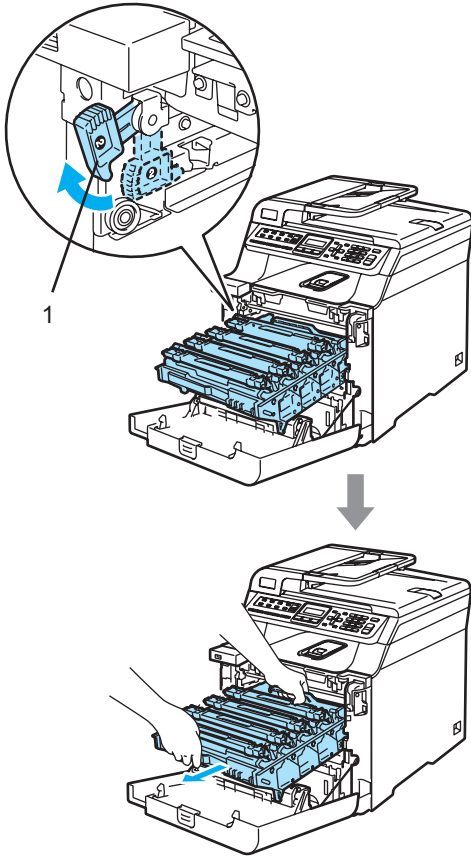
- 3 Press the front cover release button and then open the front cover.



- 4 Hold the green handle of the drum unit. Lift the drum unit up and then pull it out until it stops.

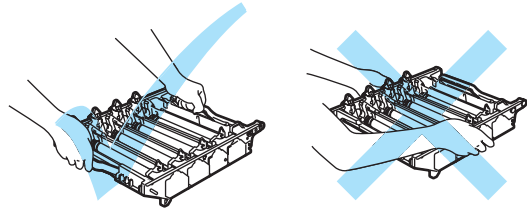


- 5 Release the grey lock lever (1) that is on the left side of the machine. Lift the front of the drum unit up and pull the drum unit completely out of the machine using the green handles on the drum unit.



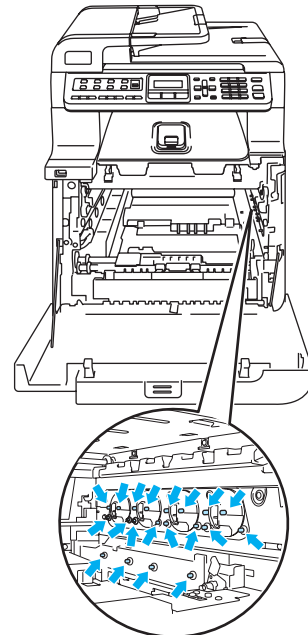
! CAUTION

Make sure that you use the drum unit handles when carrying it. **DO NOT** hold the sides of the drum unit.

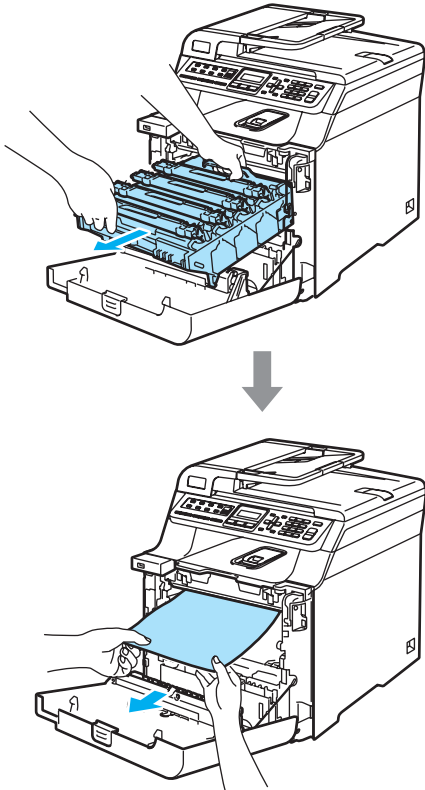


We recommend that you put the drum unit on a flat surface protected by a piece of disposable paper or cloth in case of toner scatter or spillage.

To prevent damage to the machine from static electricity, **DO NOT** touch the electrodes shown in the illustration.

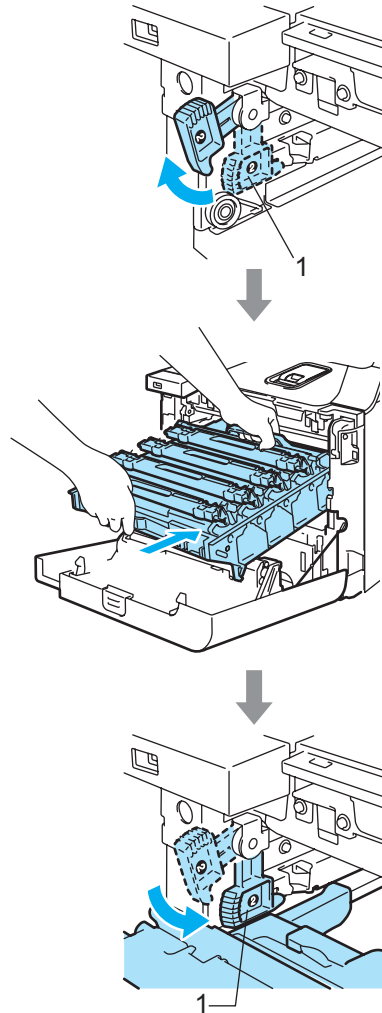


- 6 The jammed paper may be pulled out with the toner cartridge and drum unit assembly, or this may release the paper so you can pull it out of the paper tray opening.



- 7 Put the drum unit back in the machine as follows.

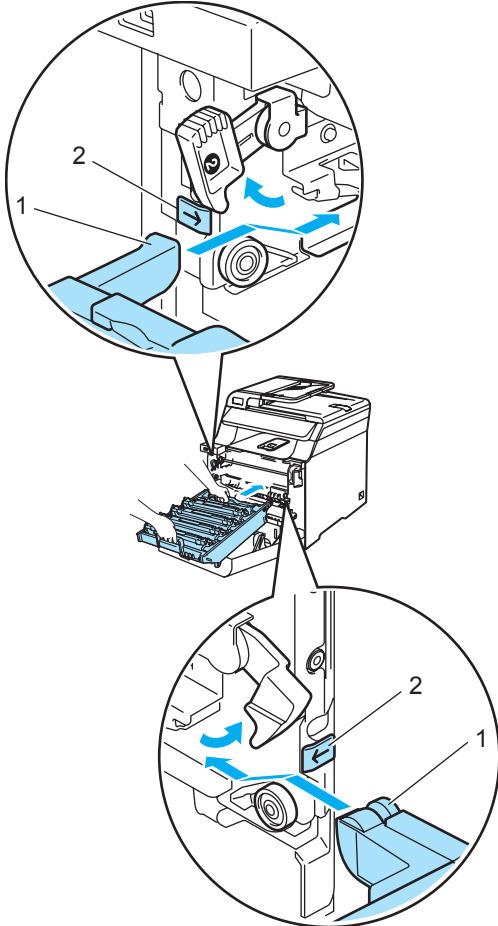
- 1 Make sure that the grey lock lever (1) is in the up position and put the drum unit in the machine. Push down the grey lock lever (1).



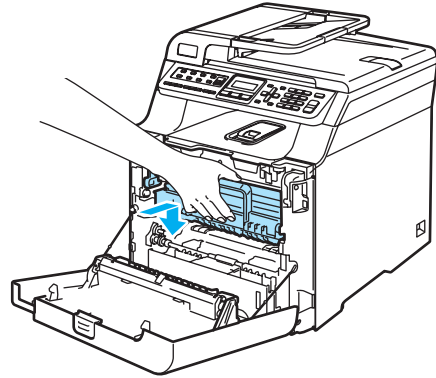
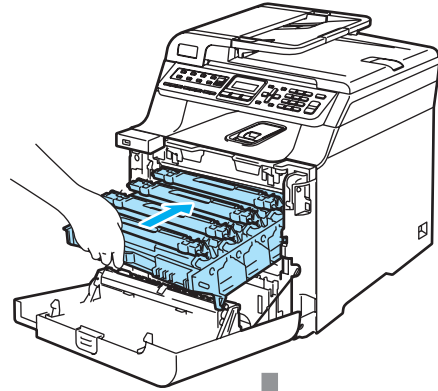


Note

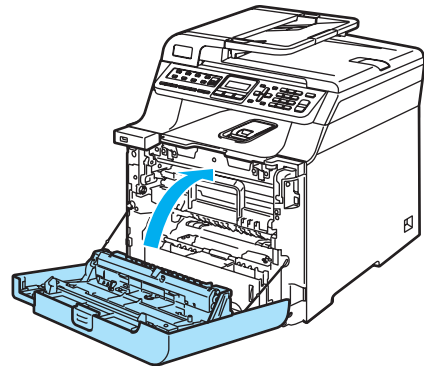
When you put the drum unit in the machine, match the green guides (1) of the drum unit handle to the green arrows (2) on both sides of the machine.



- 2 Push the drum unit in until it stops.



- 8 Close the front cover of the machine.



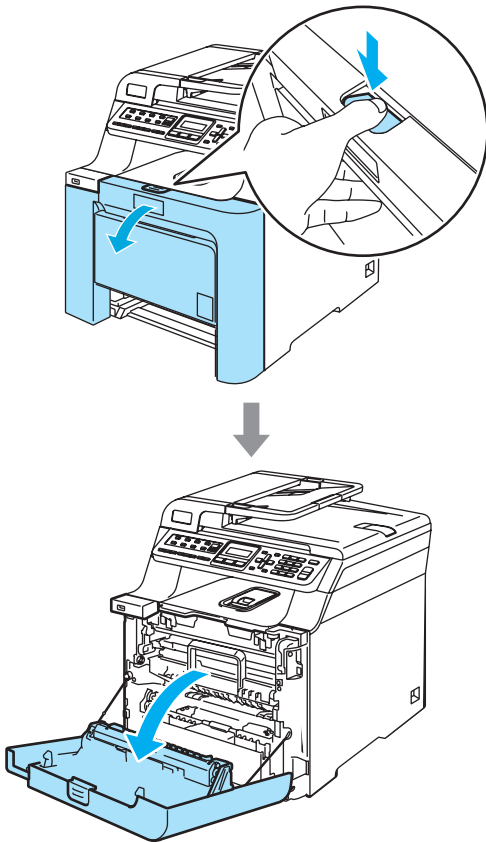
- 9 Put the paper tray firmly back in the machine.

Paper is jammed at the back of the machine

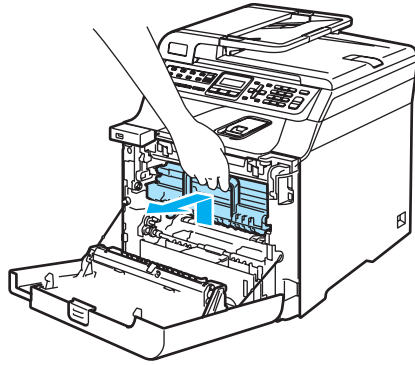
If the LCD shows Jam Rear, follow these steps:

Jam Rear

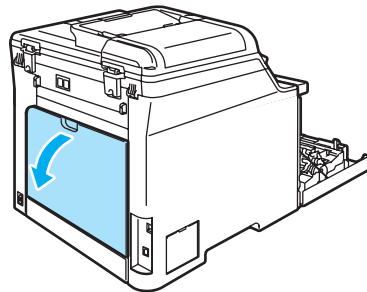
- 1 Press the cover release lever to open the front cover.



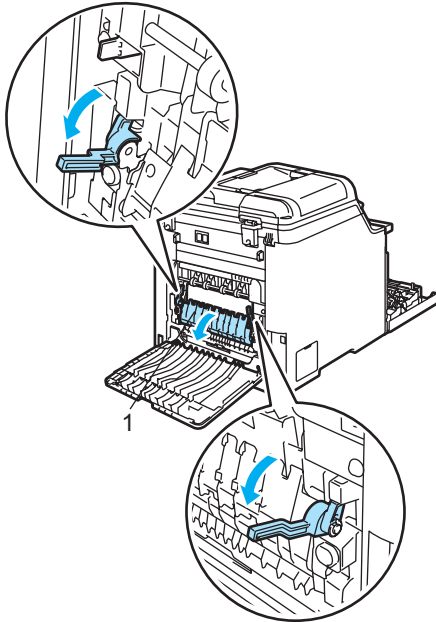
- 2 Hold the green handle of the drum unit. Lift the drum unit up and then pull it out until it stops.



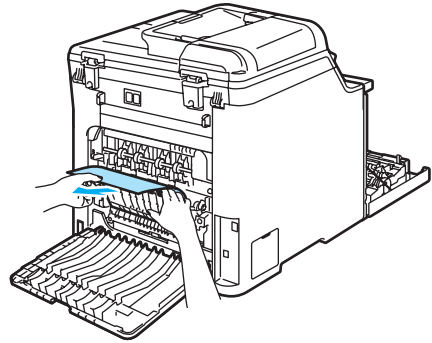
- 3 Open the back cover.



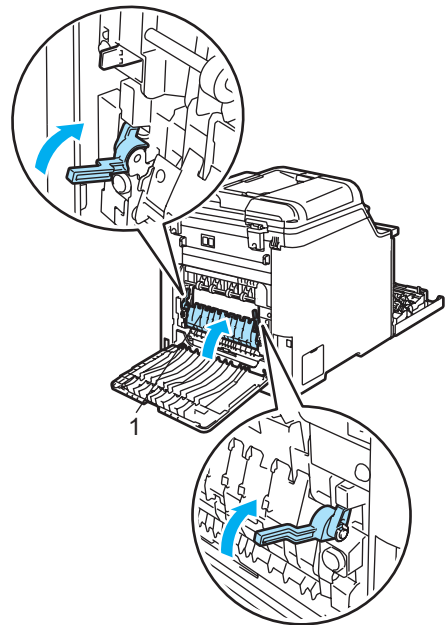
- 4 Pull down the two green levers, one on the left-hand-side and one on the right-hand-side, as shown in the illustration below, and then fold down the fuser cover (1).



- 5 Using both hands, gently pull the jammed paper out of the fuser unit.

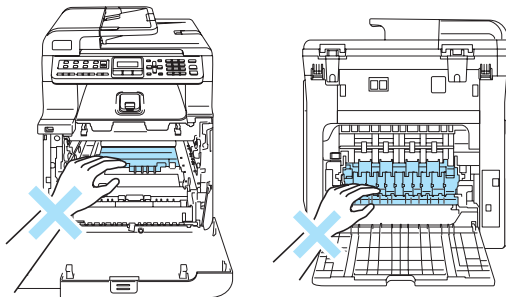


- 6 Close the fuser cover (1) and lift the two green levers at the left and right hand sides.

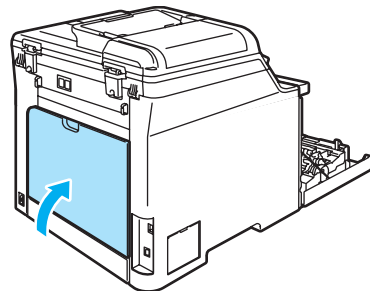


HOT SURFACE

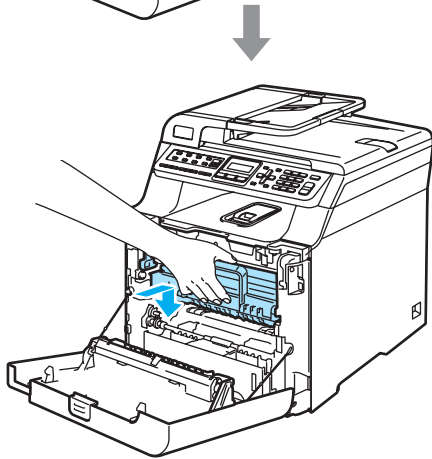
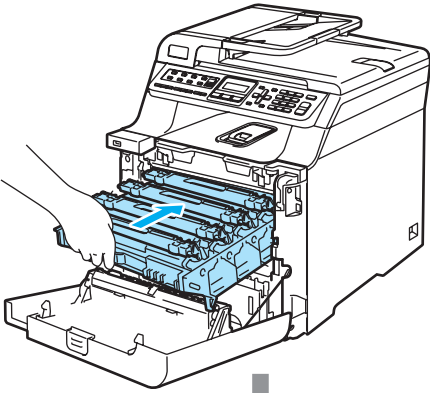
After you have just used the machine, some internal parts of the machine will be extremely hot. When you open the front or back cover of the machine, DO NOT touch the shaded parts shown in the illustration.



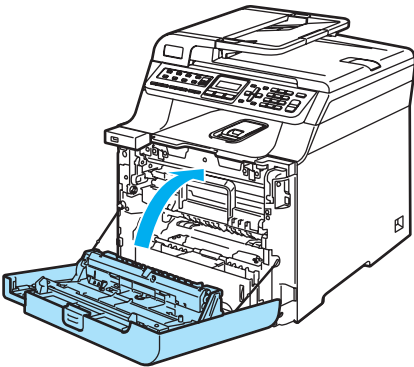
- 7 Close the back cover.



- 8 Put the drum unit and toner cartridge assembly back in the machine.



- 9 Close the front cover of the machine.

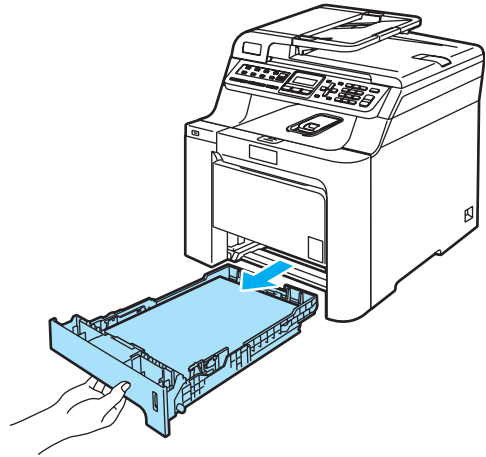


Paper is jammed underneath Paper Tray 1 or in the fuser unit (MFC-9450CDN only)

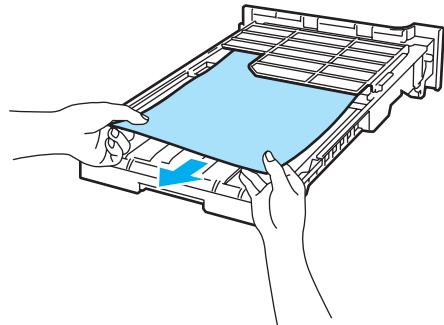
If the LCD shows Jam Duplex, follow these steps:

Jam Duplex

- 1 Pull the paper tray completely out of the machine and check inside the machine.



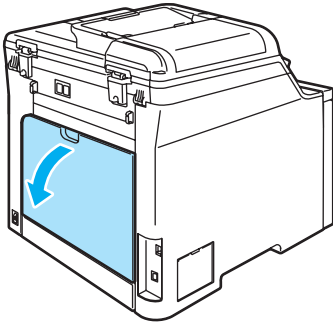
- 2 If paper is not caught inside the machine, check underneath the paper tray.



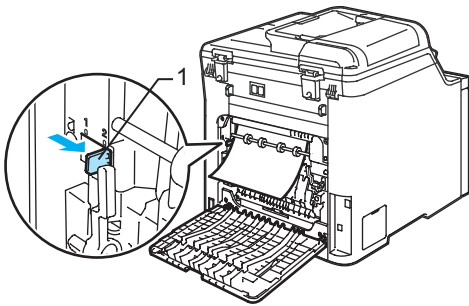
Note

DO NOT put the paper tray back in at this point.

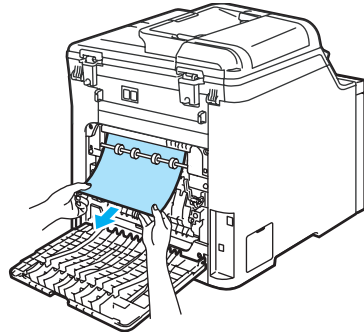
- 3 If the paper is not caught in the paper tray, open the back cover.



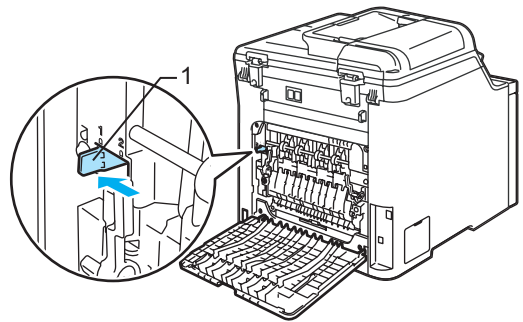
- 4 Push the gray lever on the left hand side (1) to the right.



- 5 Pull out the jammed paper slowly.

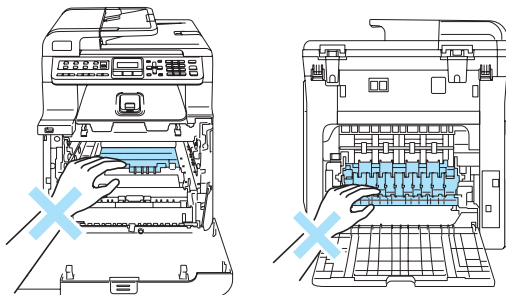


- 6 Reset the gray lever on the left hand side (1) back to the original position.

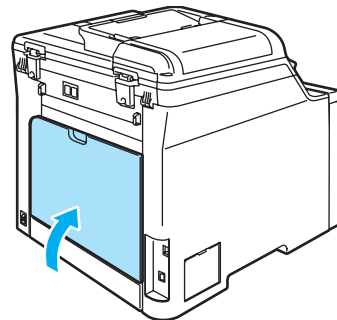


HOT SURFACE

After you have just used the machine, some internal parts of the machine will be extremely hot. When you open the front or back cover of the machine, DO NOT touch the shaded parts shown in the illustration.



- 7 Close the back cover.



- 8 Put the paper tray firmly back in the machine.

Routine maintenance

! CAUTION

The drum unit contains toner, so handle it carefully. If toner scatters on your hands or clothes, wipe or wash it off with cold water at once.

Cleaning the outside of the machine

! CAUTION

Use neutral detergents. Cleaning with volatile liquids such as thinner or benzene will damage the outside surface of the machine.

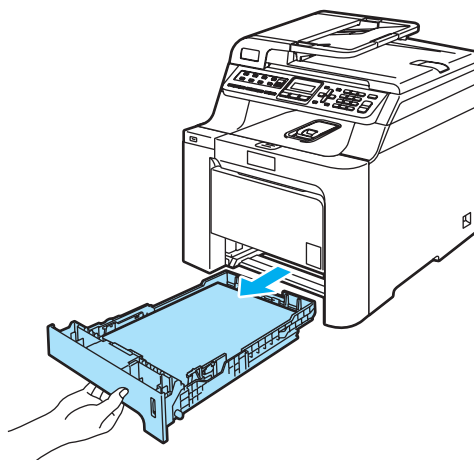
DO NOT use cleaning materials that contain ammonia.

DO NOT use isopropyl alcohol to remove dirt from the control panel. It may crack the panel.

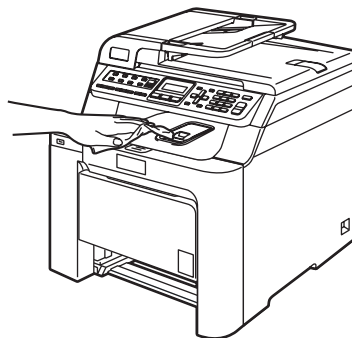
DO NOT use flammable substances or any type of spray to clean the inside or outside of the machine. Doing this may cause a fire or electrical shock.

Clean the outside of the machine as follows:

- 1 Turn off the machine's power switch. Unplug the telephone line cord first, and then unplug the power cord from the electrical socket.
- 2 Pull the paper tray completely out of the machine.

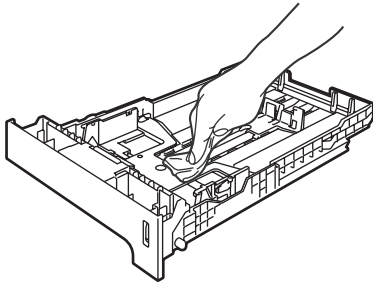


- 3 Wipe the outside of the machine with a dry, lint-free cloth to remove dust.



- 4 Remove anything that is stuck inside the paper tray.

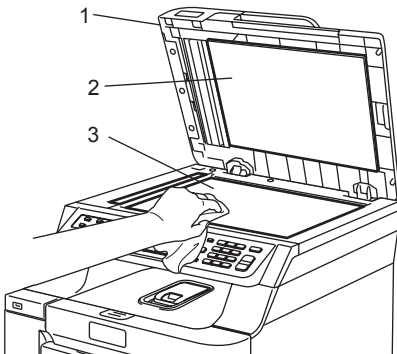
- Wipe the inside of the paper tray with a dry, lint-free cloth to remove dust.



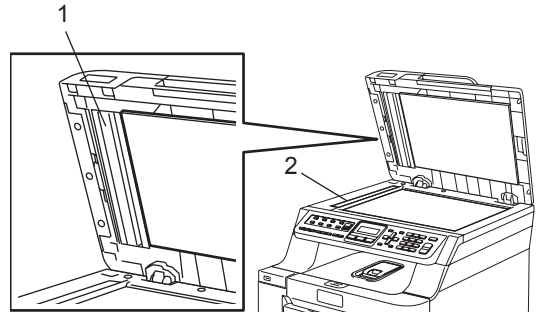
- Re-load the paper and put the paper tray firmly back in the machine.
- Plug the machine's power cord back into the AC electrical socket first, and reconnect all cables and telephone line cord. Turn on the machine's power switch.

Cleaning the scanner

- Turn off the machine's power switch. Disconnect all cables, and unplug the telephone line cord first, and then unplug the power cord from the electrical socket.
- Lift the document cover (1). Clean the white plastic surface (2) and scanner glass (3) underneath it with a soft lint-free cloth moistened with a non-flammable glass cleaner.



- In the ADF unit, clean the white bar (1) and the scanner glass strip (2) underneath it with a soft lint-free cloth moistened with a non-flammable glass cleaner.



- Plug the machine's power cord back into the AC electrical socket first, and reconnect all cables and telephone line cord. Turn on the machine's power switch.



Note

In addition to cleaning the scanner glass and glass strip with a non-flammable glass cleaner, run your finger tip over the glass strip to see if you can feel anything on it. If you feel dirt or debris, clean the glass strip again concentrating on that area.

You may need to repeat the cleaning process three or four times. To test, make a copy after each cleaning.

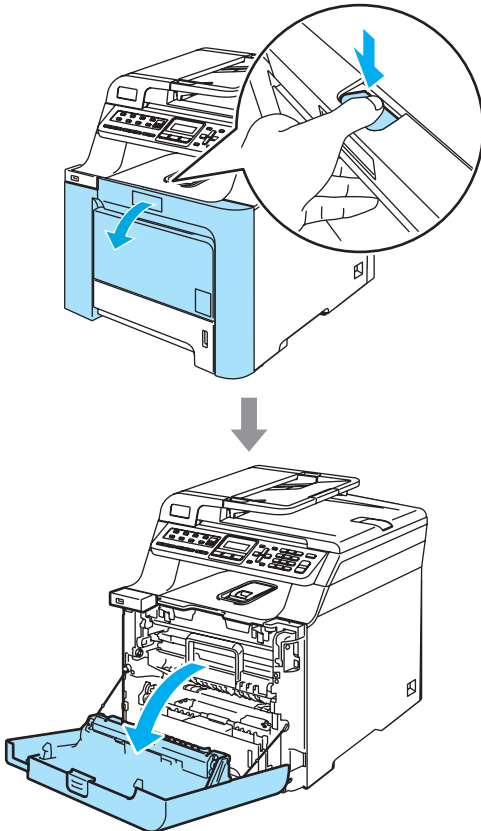
Cleaning the laser scanner windows

! CAUTION

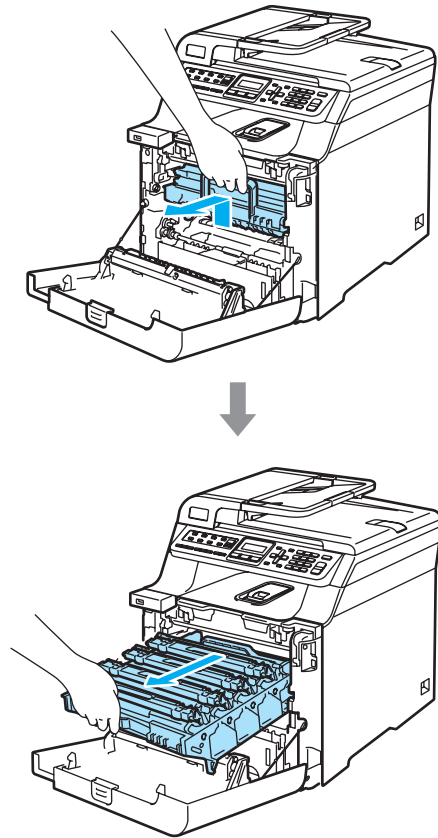
DO NOT use isopropyl alcohol to clean the laser scanner windows.

DO NOT touch the laser scanner windows with your fingers.

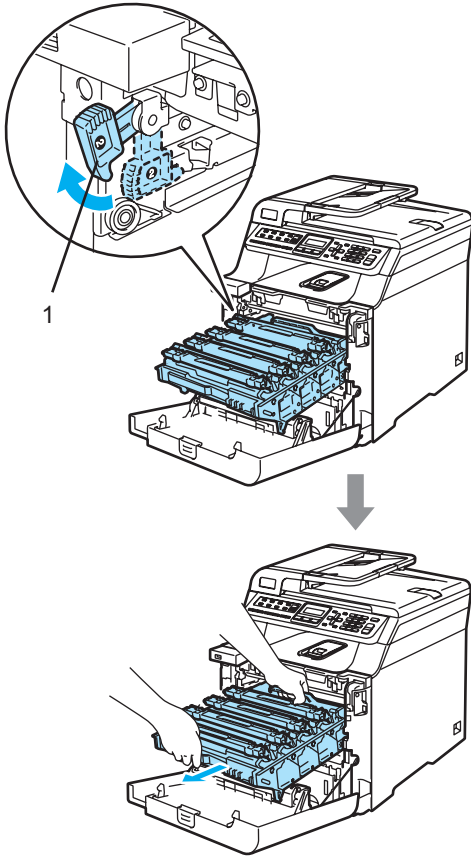
- 1 Turn off the machine's power switch. Disconnect all cables, and unplug the telephone line cord first, and then unplug the power cord from the electrical socket.
- 2 Press the front cover release button and then open the front cover.



- 3 Hold the green handle of the drum unit. Lift the drum unit up and then pull it out until it stops.

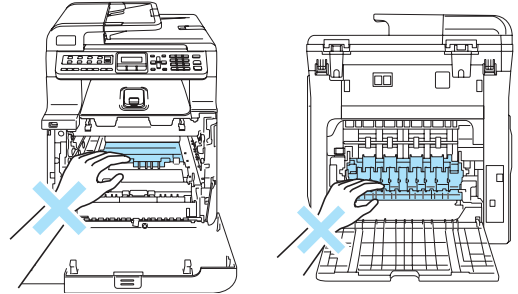


- 4 Release the grey lock lever (1) that is on the left side of the machine. Lift the front of the drum unit and pull the drum unit completely out of the machine using the green handles on the drum unit.



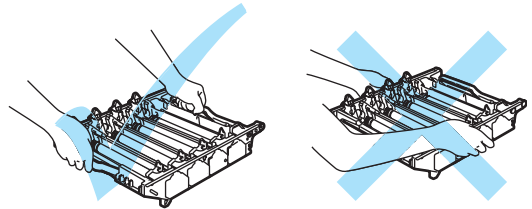
HOT SURFACE

After you have just used the machine, some internal parts of the machine will be extremely hot. When you open the front cover of the machine, DO NOT touch the shaded parts shown in the illustration.



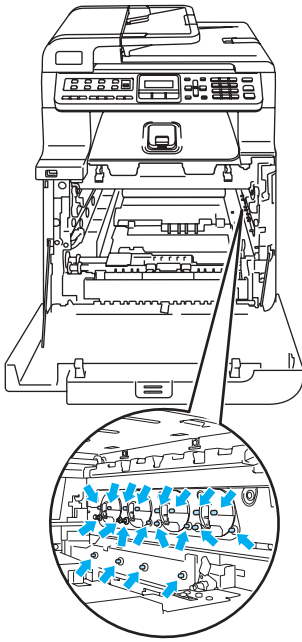
CAUTION

Make sure that you use the drum unit handles when carrying it. DO NOT hold the sides of the drum unit.

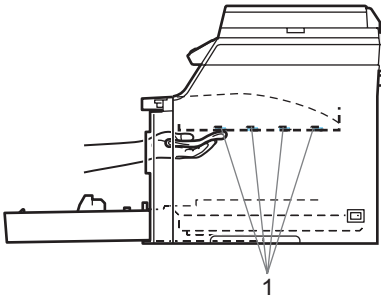
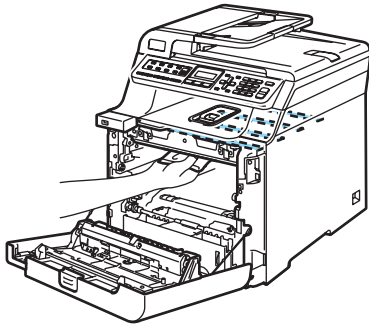


We recommend that you place the drum unit on a flat surface protected by a piece of disposable paper or cloth in case of toner scatter or spillage.

To prevent damage to the machine from static electricity, DO NOT touch the electrodes shown in the illustration.

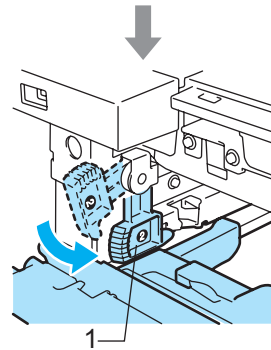
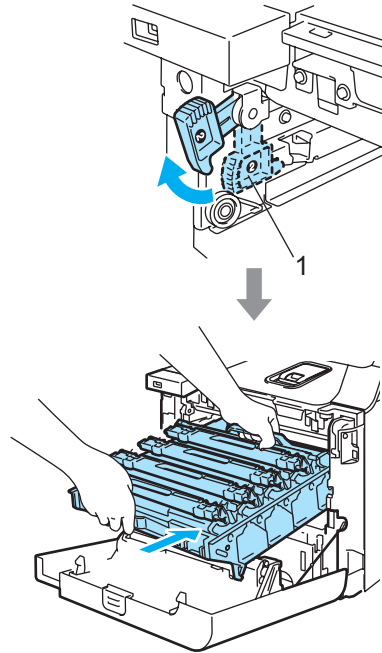


- 5** Wipe the scanner windows (1) with a dry, lint-free cloth.



- 6** Put the drum unit back in the machine as follows.

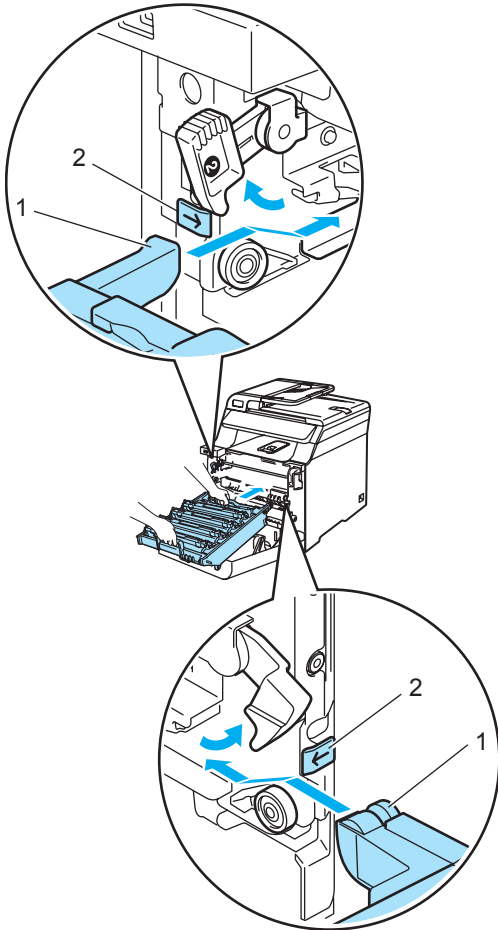
- 1** Make sure that the grey lock lever (1) is in the up position and put the drum unit in the machine. Push down the grey lock lever (1).



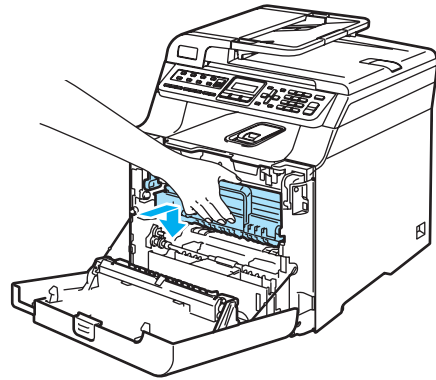
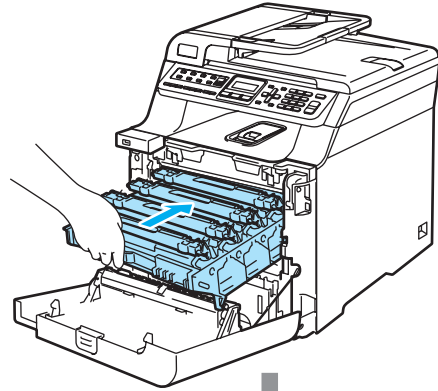


Note

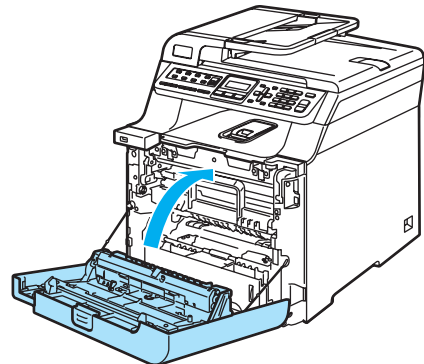
When you put the drum unit in the machine, match the green guides (1) of the drum unit handle to the green arrows (2) on both sides of the machine.



- 2 Push the drum unit in until it stops.



- 7 Close the front cover of the machine.

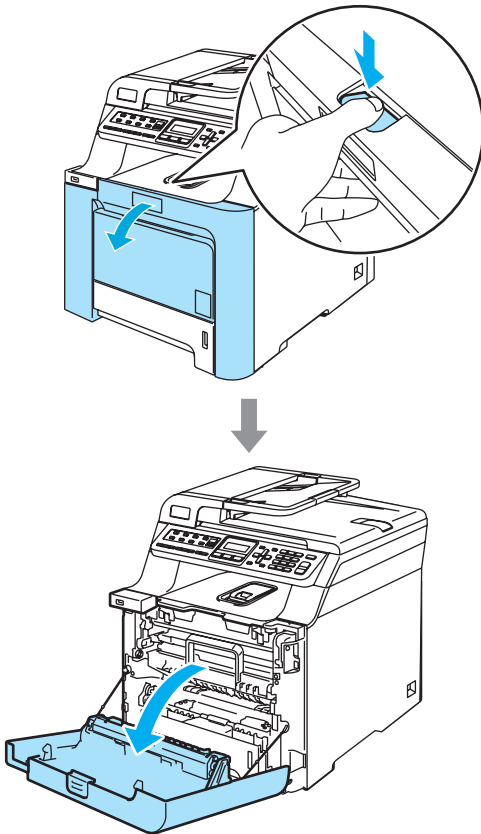


- 8 Plug the machine's power cord back into the AC electrical socket first, and reconnect all cables and telephone line cord. Turn on the machine's power switch.

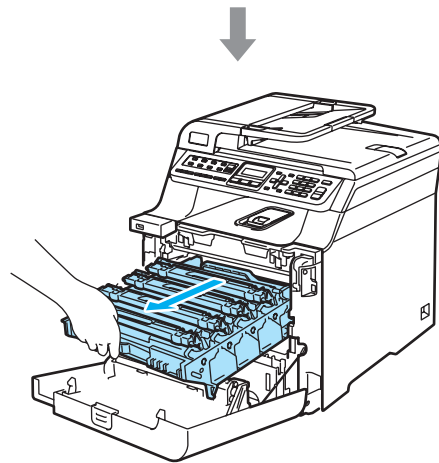
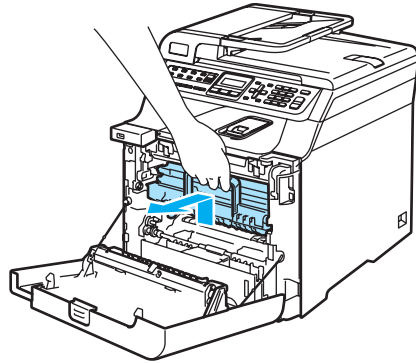
Cleaning the corona wires

If you have print quality problems, clean the corona wires as follows:

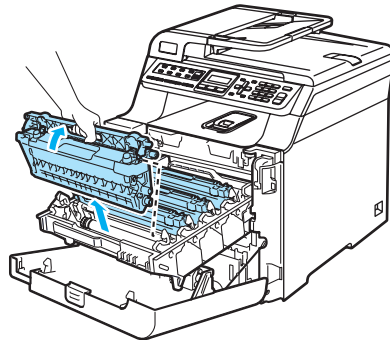
- 1 Turn off the machine's power switch. Unplug the telephone line cord first, and then unplug the power cord from the electrical socket.
- 2 Press the front cover release button and then open the front cover.



- 3 Hold the green handle of the drum unit. Lift the drum unit up and then pull it out until it stops.



- 4 Using their colored handles to lift them out, remove all four toner cartridges from the drum unit.



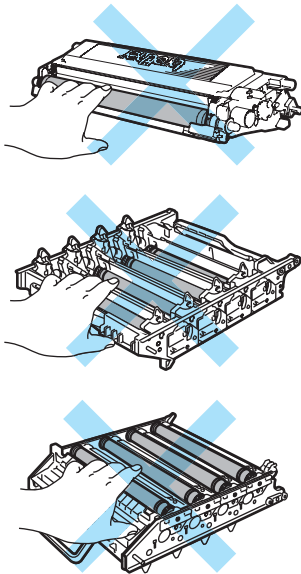
! CAUTION

We recommend that you place the toner cartridges on a clean, flat surface with a piece of disposable paper underneath it in case you accidentally spill or scatter toner.

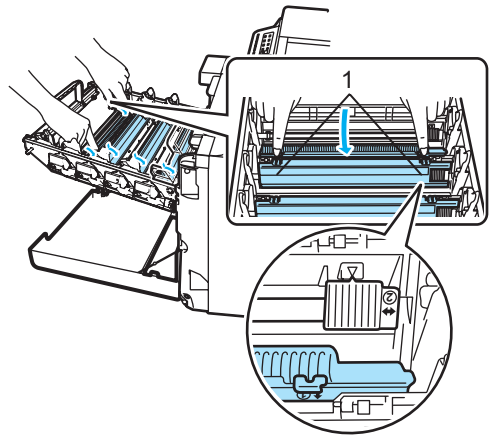
DO NOT put a toner cartridges into a fire. It could explode, resulting in injuries.

Handle the toner cartridges carefully. If toner scatters on your hands or clothes, wipe or wash it off with cold water at once.

To avoid print quality problems, DO NOT touch the shaded roller parts shown in the illustrations.

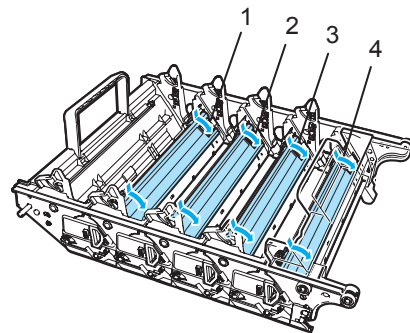


- 5 Unclip and fold back the white corona wire cover (1).



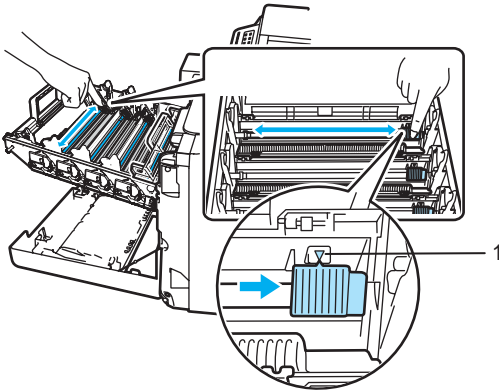
Note

We recommended that you clean the corona wire for each of the colors. If you want to clean only the corona wire of the color that caused the print quality problem, see the illustration below to identify the position of each of the corona wires.



- 1 Corona wire cover for Black (K)
- 2 Corona wire cover for Yellow (Y)
- 3 Corona wire cover for Magenta (M)
- 4 Corona wire cover for Cyan (C)

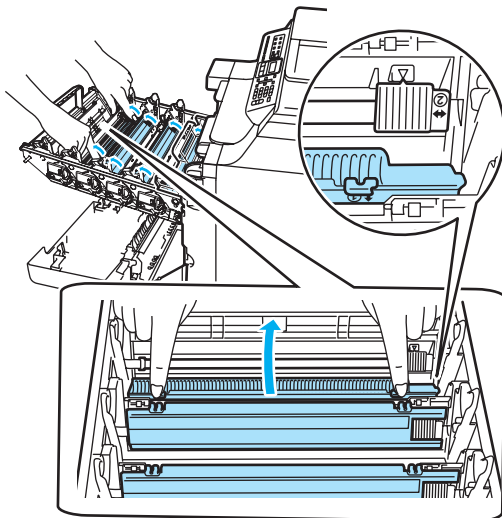
- 6 Clean the corona wire inside the drum unit by gently sliding the green tab from left to right and right to left several times.



! CAUTION

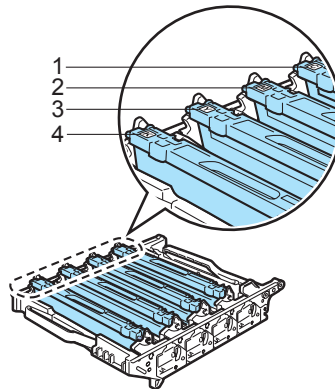
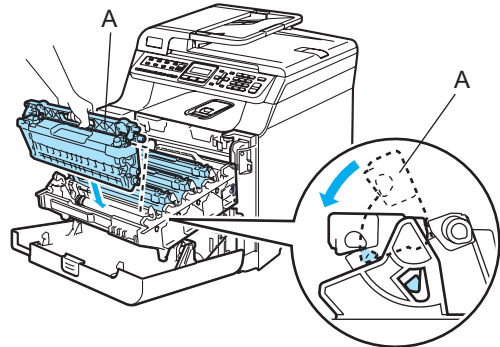
- Be sure to return the tab to the home position (▼) (1). If you do not, printed pages may have a vertical stripe.
- Do not touch the drum surface.

- 7 Close the corona wire cover.



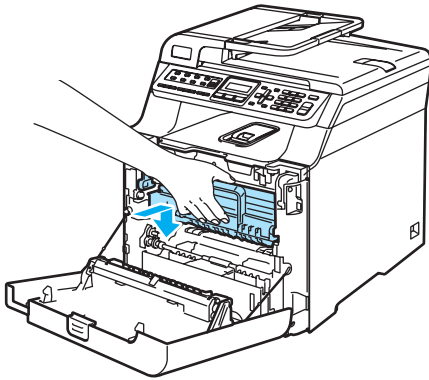
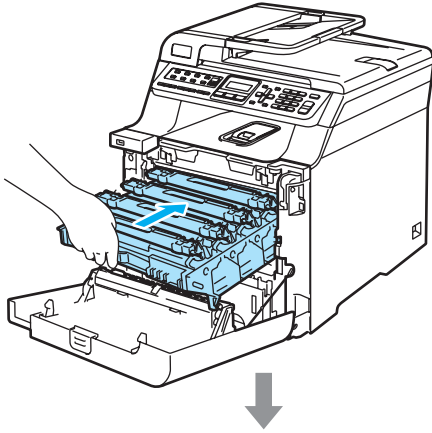
- 8 Repeat 5 to 7 to clean each of the remaining corona wires. There are four corona wires in total.

- 9 Holding the toner cartridges by their colored handles, insert them one by one back into the drum unit as shown. Make sure that you match the toner cartridge color to the same color label on the drum unit, and make sure that you fold down the toner cartridge handle (A) once the toner cartridge is in place. Repeat this for all the toner cartridges.

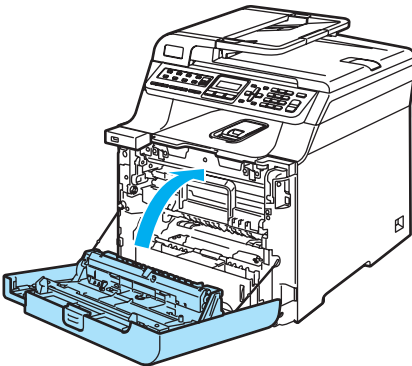


- 1 C - Cyan
- 2 M - Magenta
- 3 Y - Yellow
- 4 K - Black

- 10 Push the drum unit in until it stops.



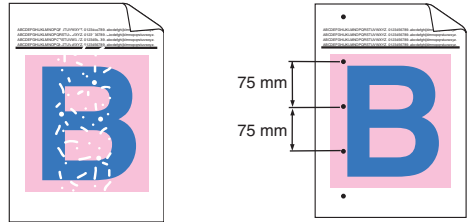
- 11 Close the front cover of the machine.



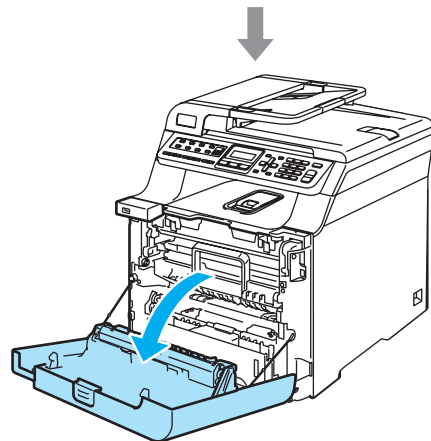
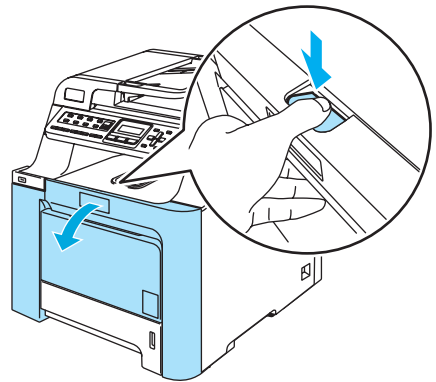
- 12 Plug the machine's power cord back into the AC electrical socket first, and reconnect all cables and telephone line cord. Turn on the machine's power switch.

Cleaning the drum unit

If you have print quality problems caused by repeating marks on the page, clean the drum unit as follows.

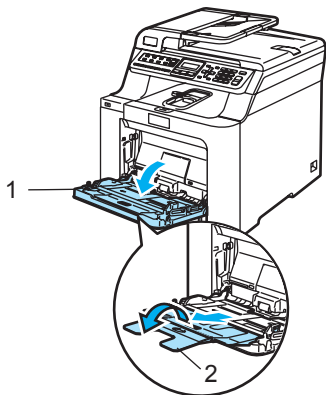


- 1 Press the front cover release button and then open the front cover.

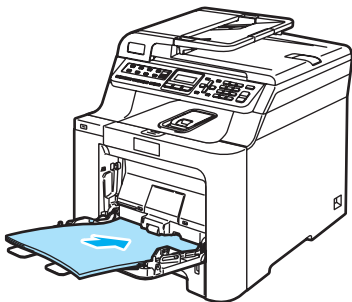


- 2 Close the front cover of the machine. The machine starts warming up, wait until it finishes warming up before going on to step 3.

- 3 Pull out the MP tray (1) and unfold the MP tray support flap (2).



- 4 Put a blank sheet of A4 or Letter sized paper in the MP tray.



- 5 While pressing and holding down **Clear/Back** press ◀ until **DRUM CLEANING** is displayed on the LCD.



- 6 Press **Mono Start** or **Color Start**. The paper will feed into the machine to start the drum cleaning.

- 7 The following message appears on the LCD when the machine has finished cleaning.

DRUM CLEANING
COMPLETED

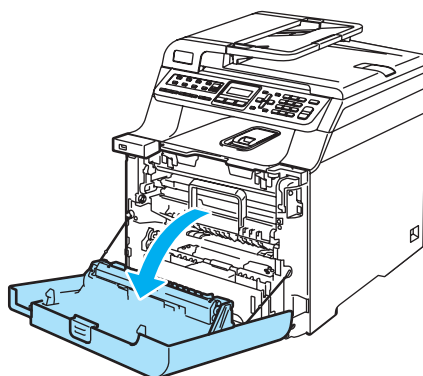
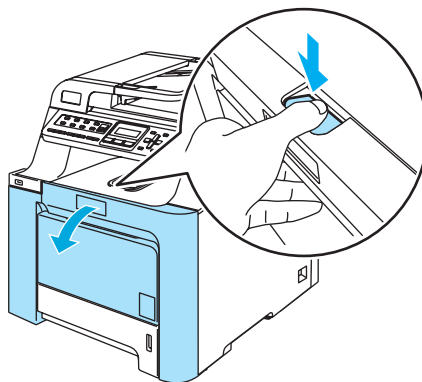
- 8 Press **Stop/Exit** so that the machine returns to the Ready state.

- 9 Try to print again.
If this problem still remains, repeat steps 3 to 8 several times.

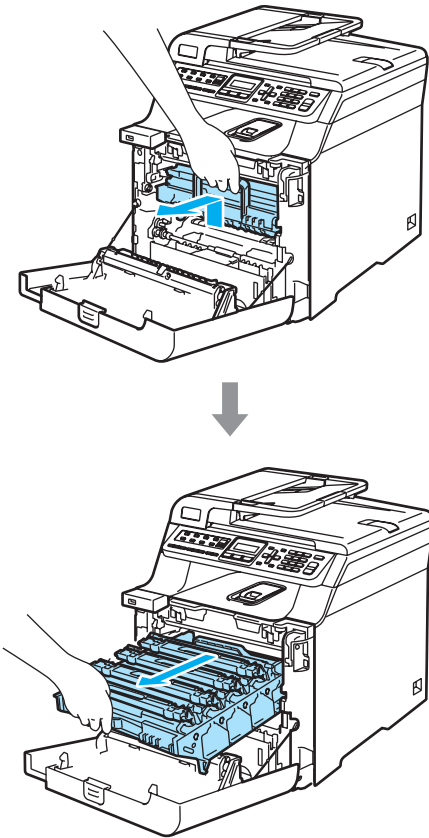
If the problem still remains after repeating step 3 to 8 several times, go to step 10.

- 10 Turn off the machine's power switch. Unplug the telephone line cord first, disconnect all cables, and then unplug the power cord from the electrical socket.

- 11 Press the front cover release button and then open the front cover.

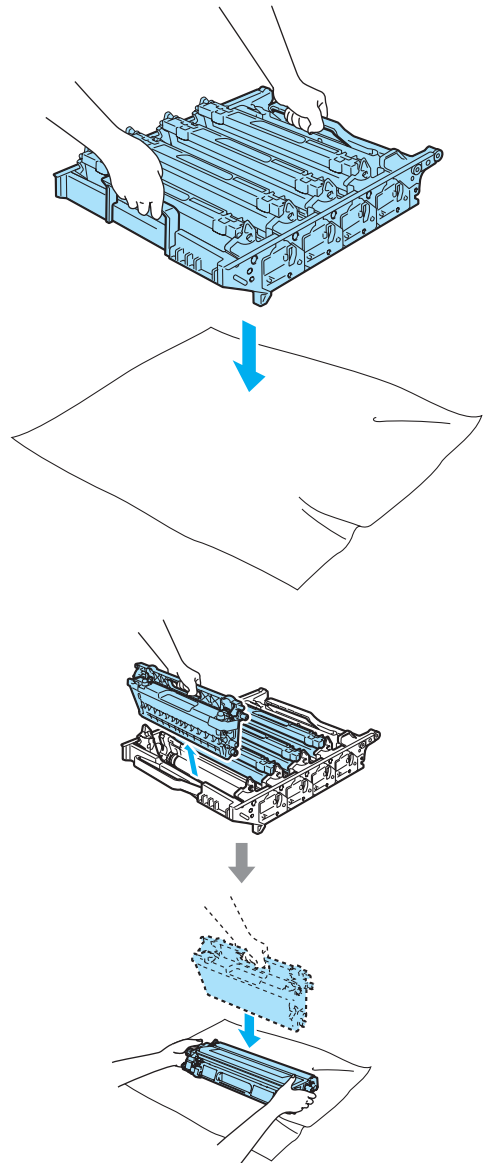


- 12 Hold the green handle of the drum unit. Lift the drum unit up and then pull it out until it stops.



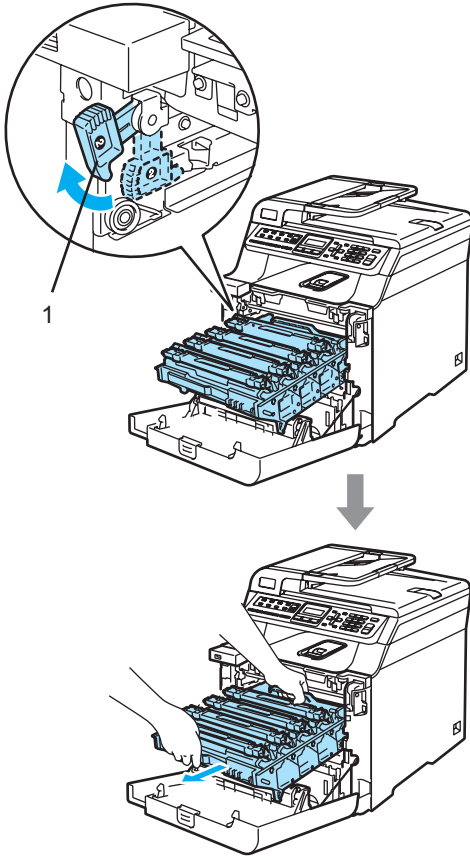
! CAUTION

We recommend that you place the drum unit and toner cartridges separately on a clean, flat surface with a piece of disposable paper underneath them in case you accidentally spill or scatter toner.



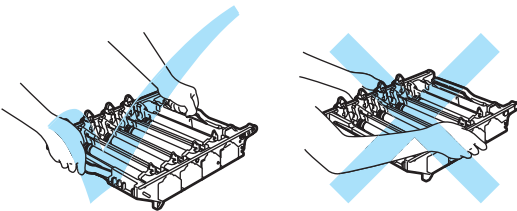
Handle the toner cartridge carefully. If toner scatters on your hands or clothes, wipe or wash it off with cold water at once.

- 13 Release the grey lock lever (1) that is on the left side of the machine. Lift the front of the drum unit and pull the drum unit completely out of the machine using the green handles on the drum unit.

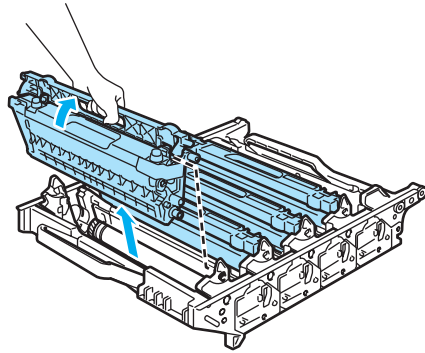


CAUTION

Make sure that you use the drum unit handles when carrying it. DO NOT hold the sides of the drum unit.

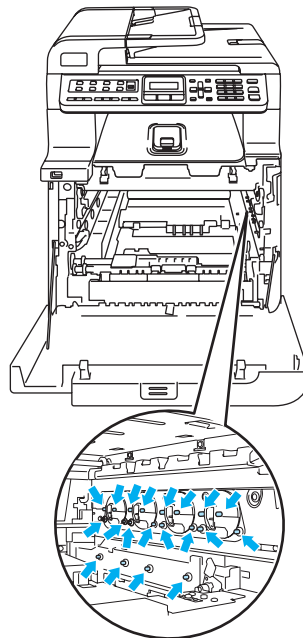


- 14 Using their colored handles to lift them out, remove all four toner cartridges from the drum unit.



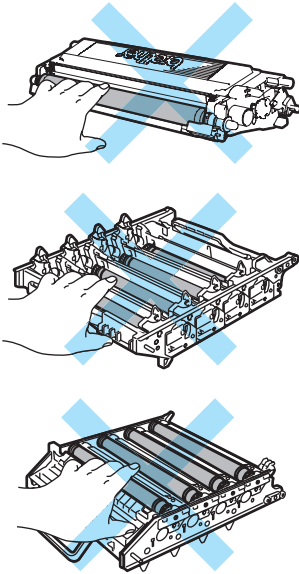
CAUTION

To prevent damage to the machine from static electricity, DO NOT touch the electrodes shown in the illustration.

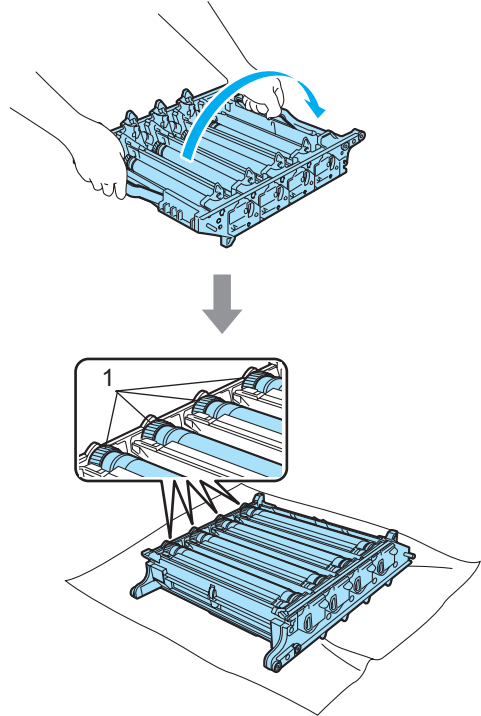


Handle the toner cartridges carefully. If toner scatters on your hands or clothes, wipe or wash it off with cold water at once.

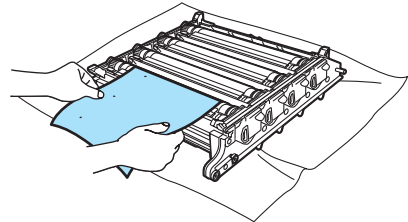
To avoid print quality problems, DO NOT touch the shaded parts shown in the illustrations.



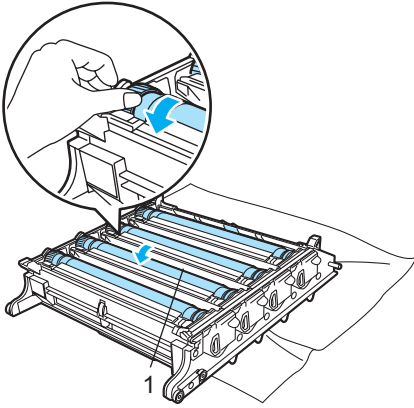
- 15 While holding both hands, turn the drum unit upside down and place on a piece of disposable paper or cloth. Make sure that the drum unit gears (1) are on your left hand side.



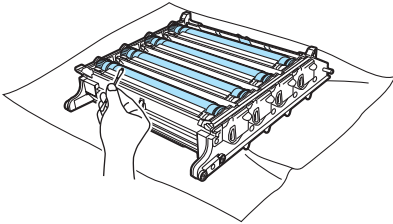
- 16 See the print sample to identify the color causing the problem. The color of the spots is the color of the drum you should clean. For example, if the spots are cyan, you should clean the drum for cyan. Put the print sample in front of the drum, and find the exact position of the repeating mark.



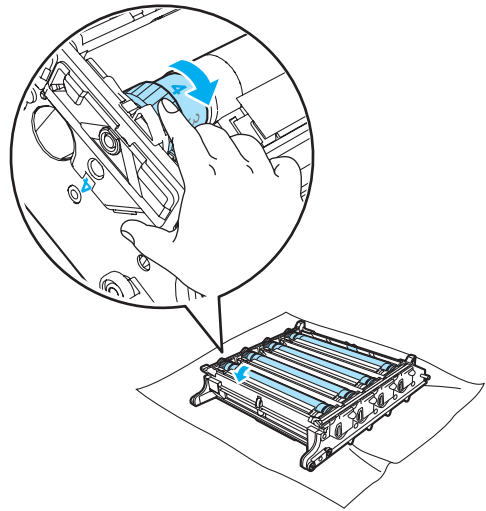
- 17 Turn the drum unit gear on the drum that matches that mark (for example, for a cyan mark, turn the drum for cyan). You should see the mark eventually on the surface of the drum (1).



- 18 When you have found the mark on the drum that matches the print sample, wipe the surface of the drum gently with a cotton swab until the dust or paper powder on the surface comes off.



- 19 Turn the drum unit gear toward you by hand to return it to the home position. The home position of each drum can be identified by matching the number on the drum unit gear to the same number on the side of the drum unit as shown in the illustration. Make sure that the number on each of the four drum unit gears matches the corresponding number on the side of the drum unit.



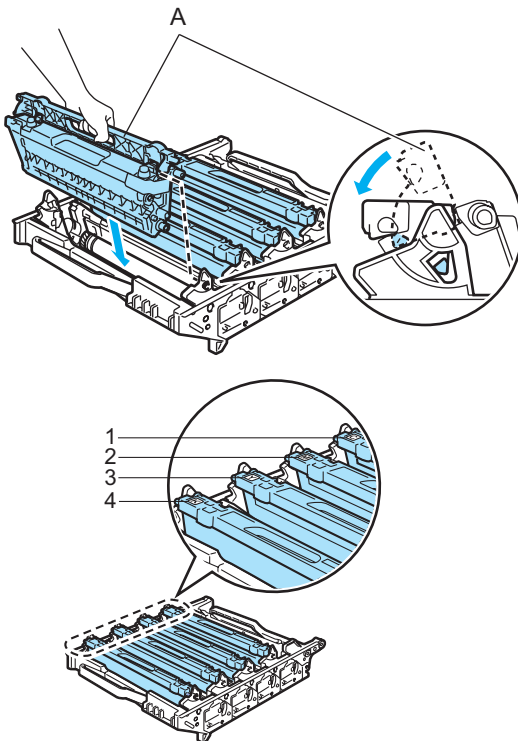
! CAUTION

The drum is photosensitive so **DO NOT** touch it with your fingers.

DO NOT clean the surface of the photosensitive drum with a sharp object.

DO NOT use excessive force when cleaning the drum surface.

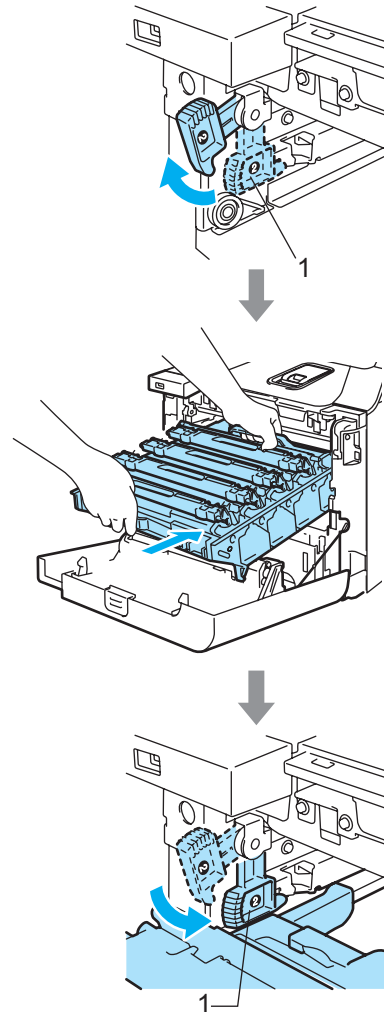
- 20 Holding the toner cartridges by their colored handles, insert them one by one back into the drum unit as shown. Make sure that you match the toner cartridge color to the same color label on the drum unit, and make sure that you fold down the toner cartridge handle (A) once the toner cartridge is in place. Repeat this for all the toner cartridges.



- 1 C - Cyan
- 2 M - Magenta
- 3 Y - Yellow
- 4 K - Black

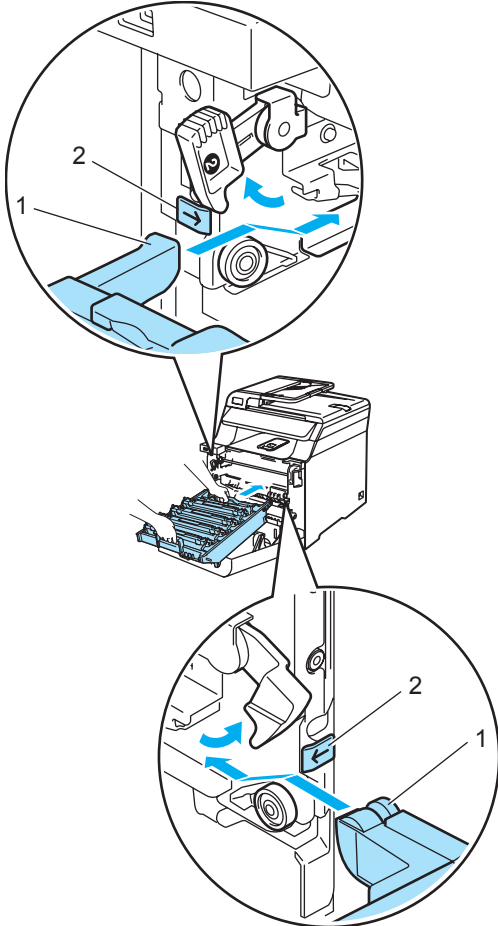
- 21 Put the drum unit back in the machine as follows.

- 1 Make sure that the grey lock lever (1) is in the up position and put the drum unit in the machine. Push down the grey lock lever (1).

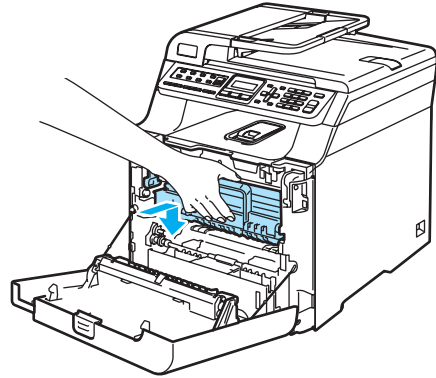
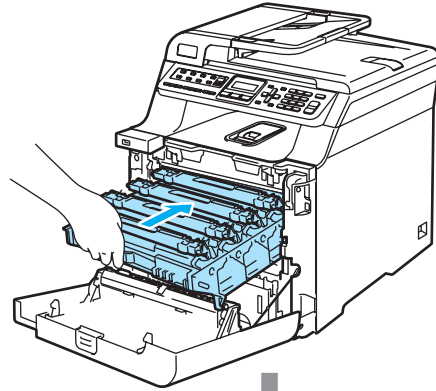


 **Note**

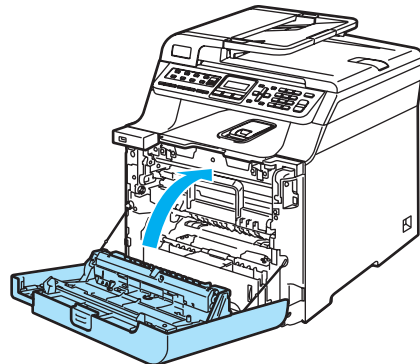
When you put the drum unit in the machine, match the green guides (1) of the drum unit handle to the green arrows (2) on both sides of the machine.



2 Push the drum unit in until it stops.



22 Close the front cover of the machine.



23 Reconnect all cables and telephone line cord. Plug the AC power cord into an AC outlet, and then turn on the machine's power switch.

Replacing the consumable items

When the time comes to replace consumable items, the following messages will appear on the LCD. The machine will stop printing when the following maintenance messages appear on the LCD.

LCD messages	Consumable item to replace	Approximate life	How to replace	Order No.
Toner Life End Replace Black(K) Toner Cartridge. ¹	Toner cartridges standard	2,500 pages (Black) ² 1,500 pages (Cyan, Magenta, Yellow) ²	See <i>Replacing a toner cartridge</i> on page 155.	TN-170BK TN-170C TN-170M TN-170Y
	Toner cartridges high yield	5,000 pages (Black) ² 4,000 pages (Cyan, Magenta, Yellow) ²		TN-175BK TN-175C TN-175M TN-175Y
Waste Toner Full	Waste toner box	20,000 pages ³	See <i>Waste Toner Box Full</i> message on page 172.	WT-100CL

- ¹ The toner cartridge color which is used up is shown in the message.
- ² Approx. yields based on 5% page coverage (A4 or Letter size). The actual number of printed pages will vary depending on the print jobs and paper you use.
- ³ When printing on A4 or Letter size paper at 5% print coverage for CMYK each. The actual number of printed pages will vary depending on the print jobs and paper you use.

The following are maintenance messages that appear on the LCD in the Ready mode. These message provide advanced warnings to replace the consumable items before they run out. To avoid any inconvenience, you may wish to buy spare consumable items before the machine stops printing.

LCD messages	Consumable item to replace	Approximate life	How to replace	Order No.
Toner Low Prepare New Black(K) Toner Cartridge. ¹	Toner cartridges standard	2,500 pages (Black) ² 1,500 pages (Cyan, Magenta, Yellow) ²	See <i>Replacing a toner cartridge</i> on page 155.	TN-170BK TN-170C TN-170M TN-170Y
	Toner cartridges high yield	5,000 pages (Black) ² 4,000 pages (Cyan, Magenta, Yellow) ²		TN-175BK TN-175C TN-175M TN-175Y
Waste Toner Soon	Waste toner box	20,000 pages ³	See <i>Replacing the waste toner box</i> on page 172.	WT-100CL

- ¹ The toner cartridge color which is near the end of life is shown in the message.
- ² Approx. yields based on 5% page coverage (A4 or Letter size). The actual number of printed pages will vary depending on the print jobs and paper you use.
- ³ When printing on A4 or Letter size paper at 5% print coverage for CMYK each. The actual number of printed pages will vary depending on the print jobs and paper you use.

The following are maintenance messages that appear alternately with the normal message on the upper row of the LCD when the machine is in the Ready mode. These messages advise you that you will need to replace each of the consumable items as soon as possible, since the consumable item's end of life has been reached. The machine will continue printing when any of these messages appear on the LCD.

LCD messages	Consumable item to replace	Approximate life	How to replace	Order No.
Drum End Soon	Drum unit	17,000 pages ¹	<i>Replacing the drum unit on page 160.</i>	DR-170CL
Change Belt Unit	Belt unit	50,000 pages ²	<i>See Replacing the belt unit on page 167.</i>	BU-100CL
Fuser Unit End	Fuser unit	80,000 pages ³	Call your Brother dealer to purchase the fuser unit.	—
Laser Unit End	Laser unit	100,000 pages ³	Call your Brother dealer to purchase the laser unit.	—
Change PF Kit 1	Paper feeding kit 1 (Paper pick-up roller and Separator pad for Tray 1)	100,000 pages ³	Call your Brother dealer to purchase the paper feeding kit 1.	—
Change PF Kit 2 (when the optional lower tray is installed)	Paper feeding kit 2 (Paper pick-up roller and Separator pad for Tray 2)	100,000 pages ³	Call your Brother dealer to purchase the paper feeding kit 2.	—
Change PF Kit MP	Paper feeding kit MP (Paper pick-up roller and Separator pad for MP tray)	50,000 pages ³	Call your Brother dealer to purchase the paper feeding kit MP.	—

¹ Drum yield is approximate, and may vary by type of use.

² When printing on A4 or Letter size paper.

³ When printing on Letter or A4 size paper. The actual number of printed pages will vary depending on the print jobs and paper you use.



Note

- Discard used consumable items according to local regulations, keeping it separate from domestic waste. If you have questions, call your local waste disposal office. Be sure to reseal the consumable items tightly so that the material inside does not spill.
- We recommend placing used consumable items on a piece of paper to prevent accidentally spilling or scattering the material inside.
- If you use paper that is not a direct equivalent for the recommended paper, the life of consumable items and machine parts may be reduced.
- The projected life for toner cartridges and a waste toner box is based on an average 5% coverage of the printable area using any color toner cartridge. Frequency of replacement will vary depending on the complexity of printed pages, percentage of coverage and type of media used.

Replacing a toner cartridge

Order Numbers:

Toner Cartridge Standard:
TN-170 (BK, C, M, Y)

Toner Cartridge High Yield:
TN-175 (BK, C, M, Y)

The High Yield toner cartridges can print approximately 5,000 pages (Black) and approximately 4,000 pages each (Cyan, Magenta and Yellow). The Standard toner cartridges can print approximately 2,500 pages (Black) and approximately 1,500 pages each (Cyan, Magenta and Yellow). Actual page count will vary depending on your average type of document (i.e., standard letter, detailed graphics).

Toner low message

Toner Low
Prepare New

The machine is supplied with the Standard TN-170 toner cartridge. When a toner cartridge is running low, the LCD shows Toner Low.



Note

It is a good idea to keep new toner cartridges ready for use when you see the Toner Low warning.

Toner life end message

When the following message appears on the LCD, you need to replace the toner cartridge. The second line of the LCD indicates which color you need to replace.

Toner Life End
Replace Black(K)

Discard the used toner cartridge according to local regulations, keeping it separate from domestic waste. Be sure to seal up the toner cartridge tightly so that toner powder does not spill out of the cartridge. If you have questions, call your local waste disposal office.



Note

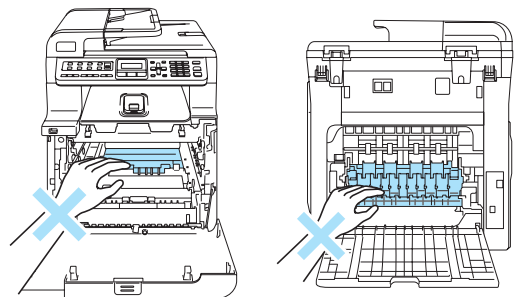
We recommend that you clean the machine and corona wires of the drum unit when you replace a toner cartridge. (See *Cleaning the laser scanner windows* on page 138 and *Cleaning the corona wires* on page 142.)

Replacing the toner cartridges

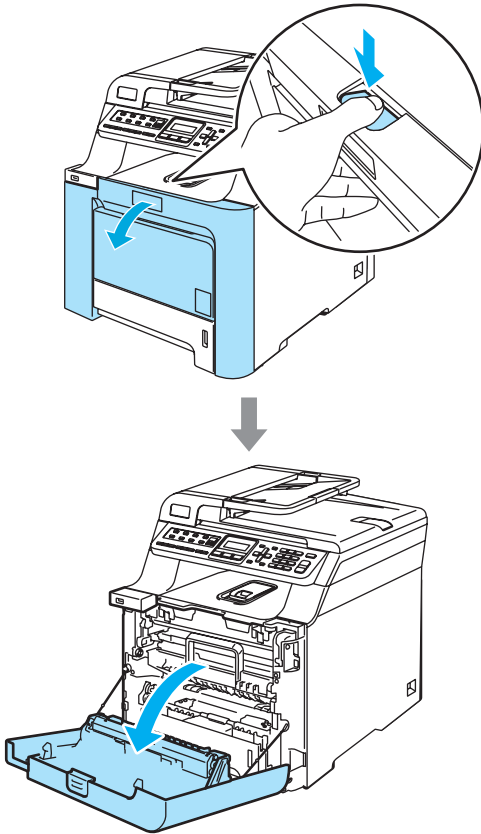


HOT SURFACE

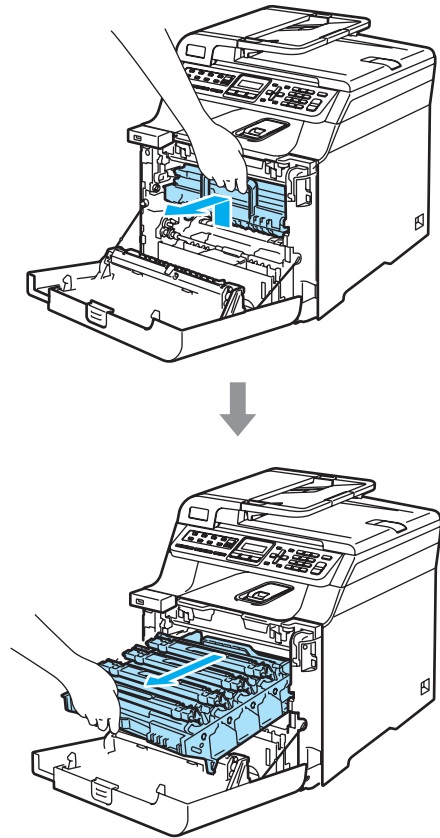
After you have just used the machine, some internal parts of the machine will be extremely hot. When you open the front or back cover of the machine, DO NOT touch the shaded parts shown in the illustration.



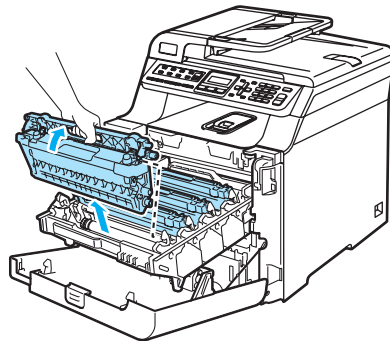
- 1 Turn off the machine's power switch. Press the front cover release button and then open the front cover.



- 2 Hold the green handle of the drum unit. Lift the drum unit up and then pull it out until it stops.



- 3 Hold the handle of the toner cartridge and pull it out of the drum unit. Repeat this for all the toner cartridges.



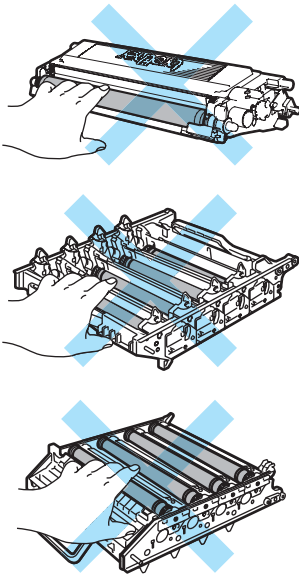
! CAUTION

We recommend that you place the toner cartridges on a clean, flat surface with a piece of disposable paper underneath it in case you accidentally spill or scatter toner.

DO NOT put a toner cartridges into a fire. It could explode, resulting in injuries.

Handle the toner cartridges carefully. If toner scatters on your hands or clothes, wipe or wash it off with cold water at once.

To avoid print quality problems, DO NOT touch the shaded parts shown in the illustrations.



! CAUTION

Brother machines are designed to work with toner of a particular specification and will work to a level of optimum performance when used with genuine Brother toner cartridges (**TN-170/TN-175**). Brother cannot guarantee this optimum performance if toner or toner cartridges of other specifications are used. Brother does not therefore recommend the use of cartridges other than genuine Brother cartridges with this machine, or the refilling of empty cartridges with toner from other sources. If damage is caused to the drum unit or other part of this machine as a result of the use of toner or toner cartridges other than genuine Brother products due to the incompatibility or lack of suitability of those products with this machine, any repairs required as a result may not be covered by the warranty.

Unpack the toner cartridge just before you put it in the machine. If a toner cartridge is left unpacked for a long time, the toner life will be shortened.

Note

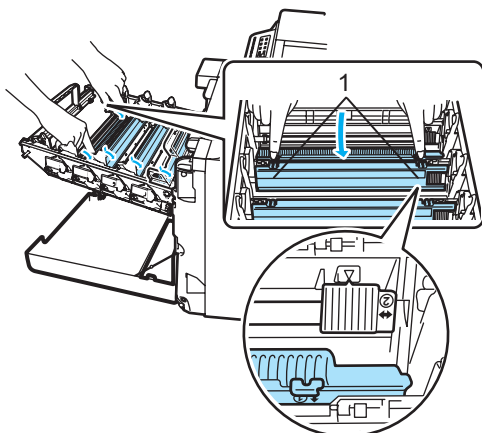
- Be sure to seal up the toner cartridge tightly in a suitable bag so that toner powder does not spill out of the cartridge.
- Discard the used toner cartridge according to local regulations, keeping it separate from domestic waste. If you have questions, call your local waste disposal office.

! CAUTION

DO NOT use flammable substances near the machine. DO NOT use any type of spray to clean the inside or outside of the machine. Doing this may cause a fire or electrical shock. Refer to *Routine maintenance* on page 136 for how to clean the machine.

4 Clean the corona wires as follows.

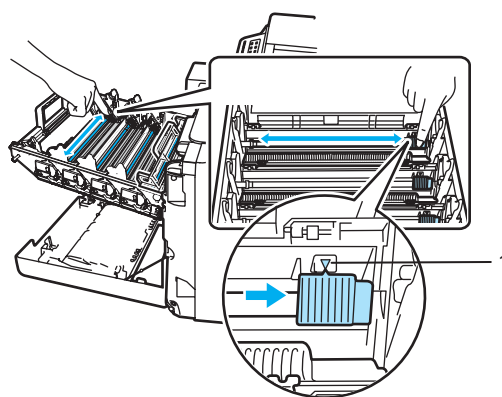
- 1** Push to release the latches of the white corona wire cover (1), and then open the cover.



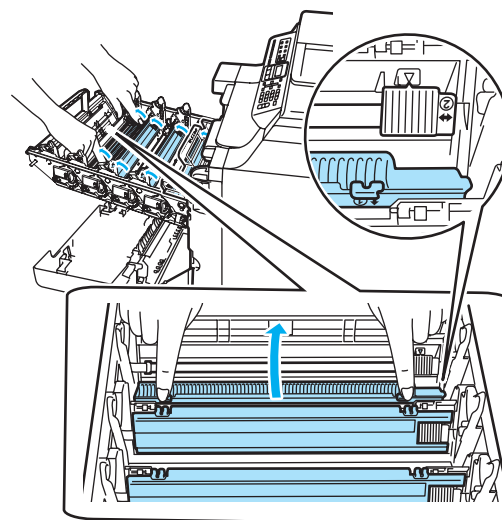
- 2** Clean the corona wire inside the drum unit by gently sliding the green tab from left to right and right to left several times.

! CAUTION

Be sure to return the tab to the home position (▼) (1). If you do not, printed pages may have a vertical stripe.

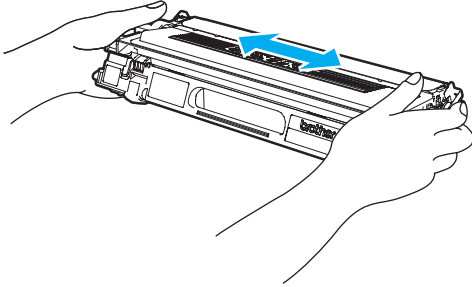


- 3** Close the corona wire cover.

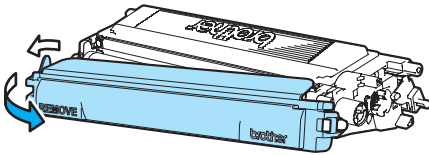


- 4** Repeat step 1 through step 3 to clean each of the remaining three corona wires.

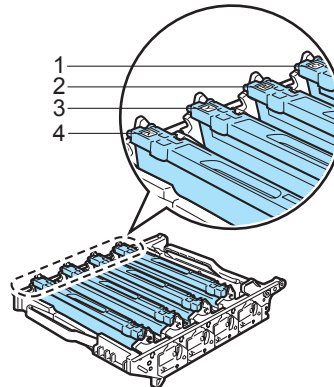
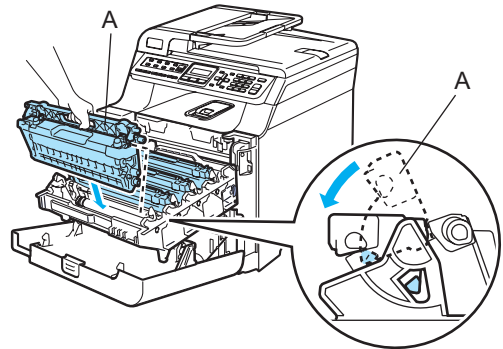
5. Unpack the new toner cartridge. Hold the cartridge with both hands and gently shake it five or six times to spread the toner evenly inside the cartridge.



6. Remove the orange protective cover.

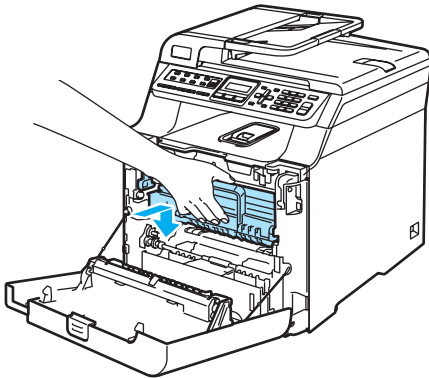
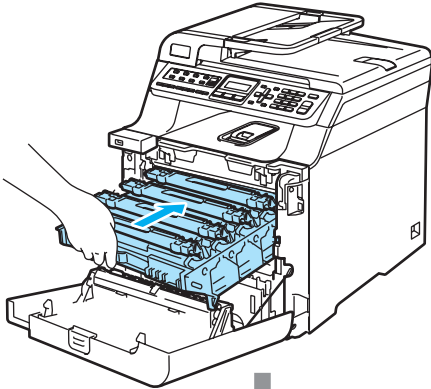


7. Holding the toner cartridges by their colored handles, insert them one by one back into the drum unit as shown. Make sure that you match the toner cartridge color to the same color label on the drum unit, and make sure that you fold down the toner cartridge handle (A) once the toner cartridge is in place. Repeat this for all the toner cartridges.

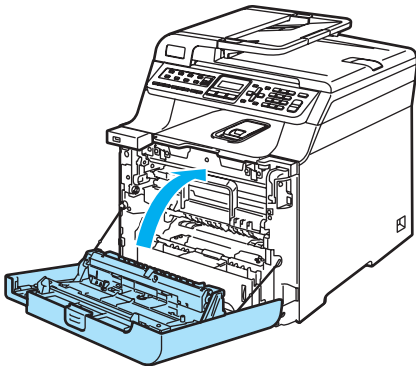


- 1 C - Cyan
- 2 M - Magenta
- 3 Y - Yellow
- 4 K - Black

- 8 Push the drum unit in until it stops.



- 9 Close the front cover of the machine.



Replacing the drum unit

Order Number: DR-170CL

Drum end soon message

Drum End Soon

The machine uses a drum unit to create print images on paper. If the LCD shows *Drum End Soon*, the drum unit is near the end of its life and it is time to buy a new one.

Even if the LCD shows *Drum End Soon*, you may be able to continue printing without having to replace the drum unit for a while. However, if there is a noticeable deterioration in the output print quality (even before *Drum End Soon* appears), then the drum unit should be replaced. You should clean the machine when you replace the drum unit. (See *Cleaning the laser scanner windows* on page 138.)

! CAUTION

While removing the drum unit, handle it carefully because it may contain toner. If toner scatters on your hands or clothes, wipe or wash it off with cold water at once.

 **Note**

The drum unit is a consumable item, and it is necessary to replace it periodically. There are many factors that determine the actual drum life, such as temperature, humidity, type of paper and how much toner you use for the number of pages per print job. The estimated drum life is approximately 17,000 pages. The actual number of pages your drum will print may be significantly less than these estimates. Because we have no control over the many factors that determine the actual drum life, we cannot guarantee a minimum number of pages that will be printed by your drum.

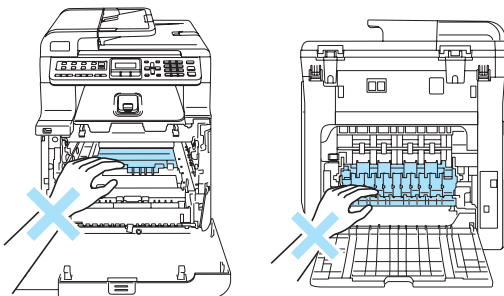
Replacing the drum unit

 **CAUTION**

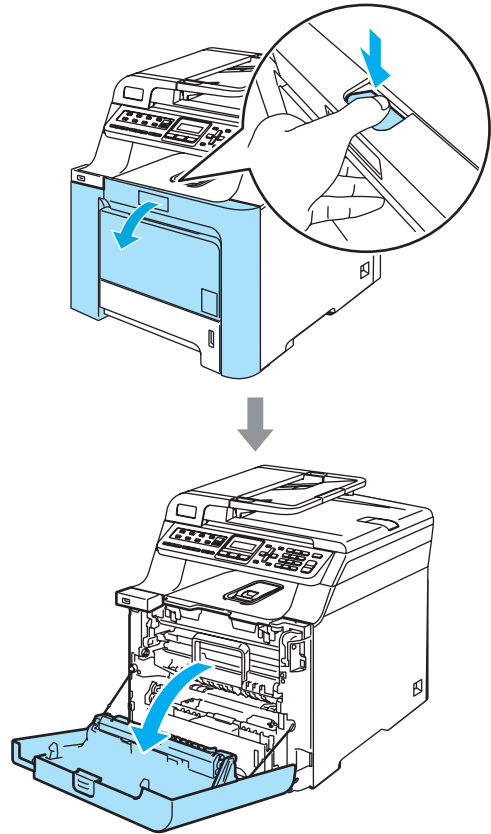
Wait to unpack a new drum unit until immediately before installing it. Put the old drum unit into the plastic bag.

 **HOT SURFACE**

After you have just used the machine, some internal parts of the machine will be extremely hot. When you open the front or back cover of the machine, DO NOT touch the shaded parts shown in the illustration.

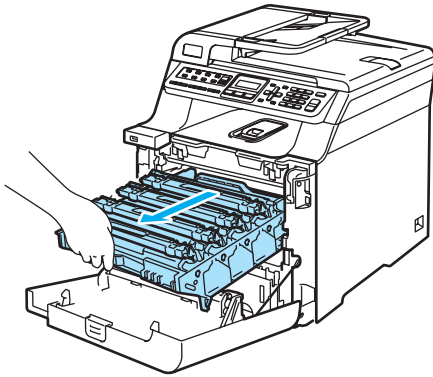
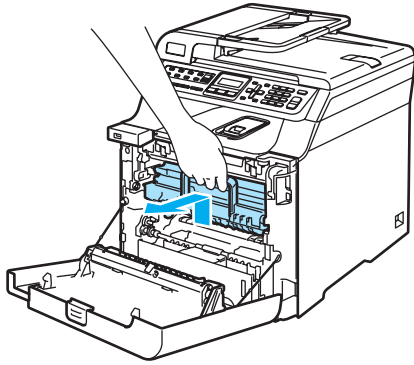


- 1 Turn off the machine's power switch. Press the front cover release button and then open the front cover.



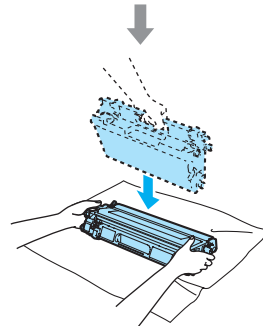
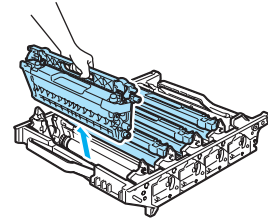
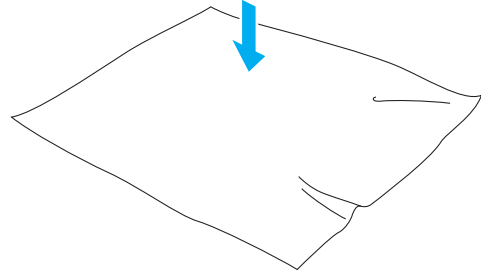
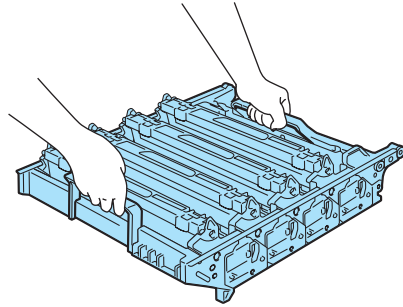
C

- 2 Hold the green handle of the drum unit. Lift the drum unit up and then pull it out until it stops.



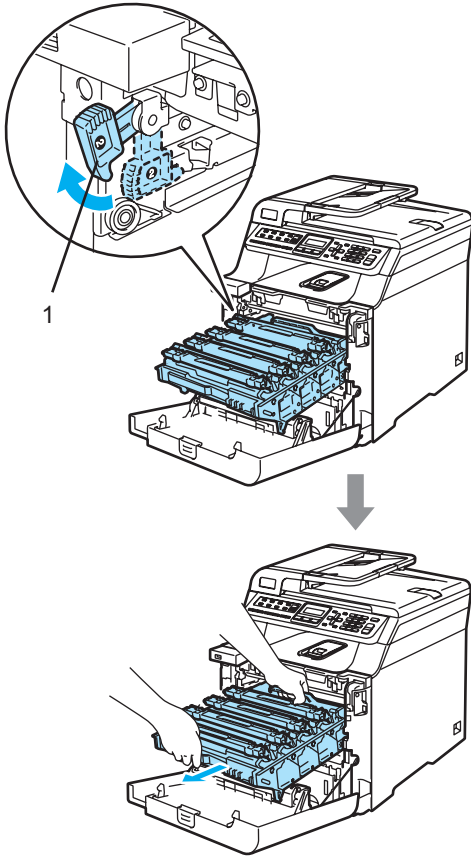
! CAUTION

We recommend that you place the drum unit and toner cartridges separately on a clean, flat surface with a piece of disposable paper underneath them in case you accidentally spill or scatter toner.



Handle the toner cartridge carefully. If toner scatters on your hands or clothes, wipe or wash it off with cold water at once.

- 3 Release the grey lock lever (1) that is on the left side of the machine. Lift the front of the drum unit and pull the drum unit completely out of the machine using the green handles on the drum unit.

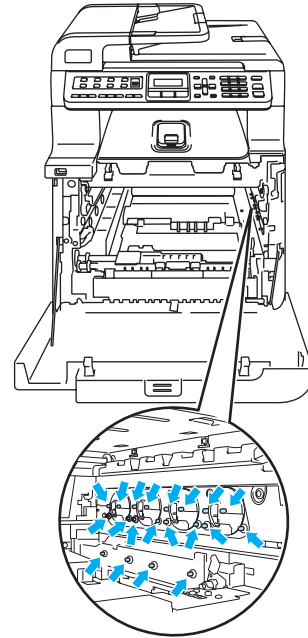


 **Note**

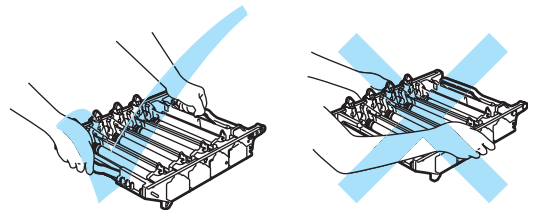
Discard the used drum unit according to local regulations, keeping it separate from domestic waste. Be sure to seal up the drum unit tightly so that toner powder does not spill out of the unit. If you have questions, call your local waste disposal office.

 **CAUTION**

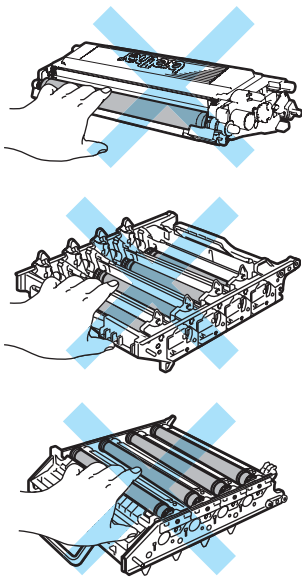
To prevent damage to the machine from static electricity, **DO NOT** touch the electrodes shown in the illustration.



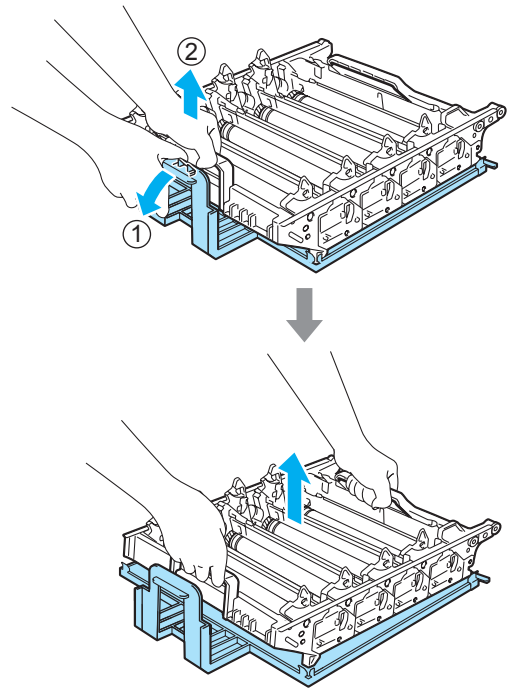
Make sure that you use the drum unit handles when carrying it. **DO NOT** hold the sides of the drum unit.



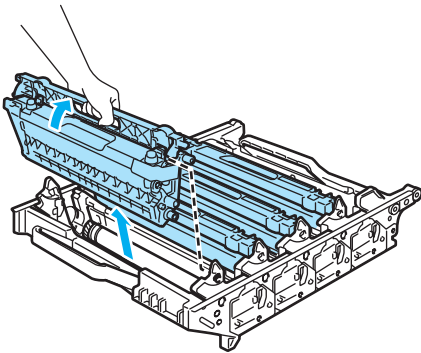
To avoid print quality problems, DO NOT touch the shaded parts shown in the illustrations.



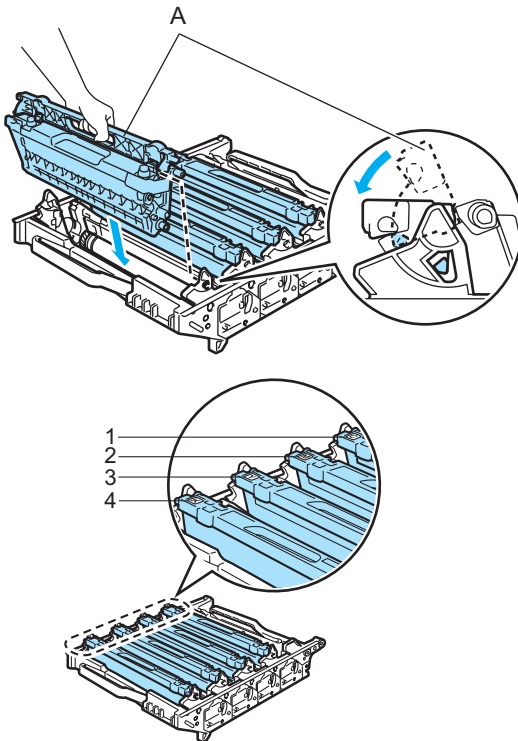
- 5 Unpack the new drum unit and remove the protective cover.



- 4 Using their colored handles to lift them out, remove all four toner cartridges from the drum unit.



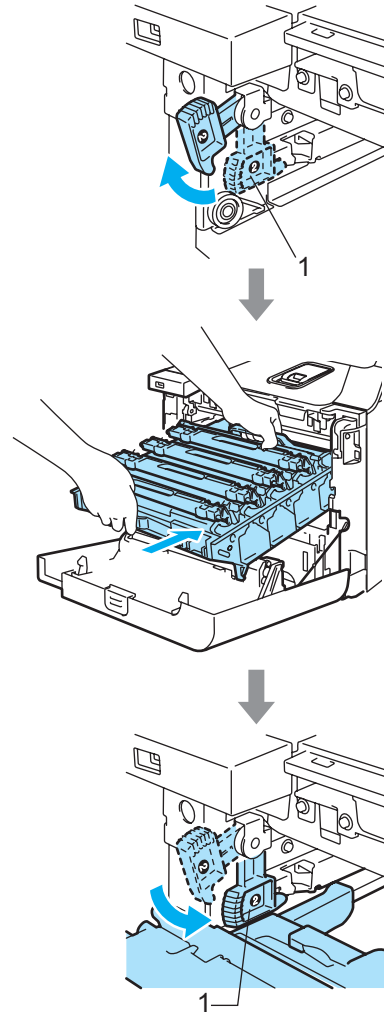
- 6** Holding the toner cartridges by their colored handles, insert them one by one back into the drum unit as shown. Make sure that you match the toner cartridge color to the same color label on the drum unit, and make sure that you fold down the toner cartridge handle (A) once the toner cartridge is in place. Repeat this for all the toner cartridges.



- 1 C - Cyan
- 2 M - Magenta
- 3 Y - Yellow
- 4 K - Black

- 7** Put the drum unit back in the machine as follows.

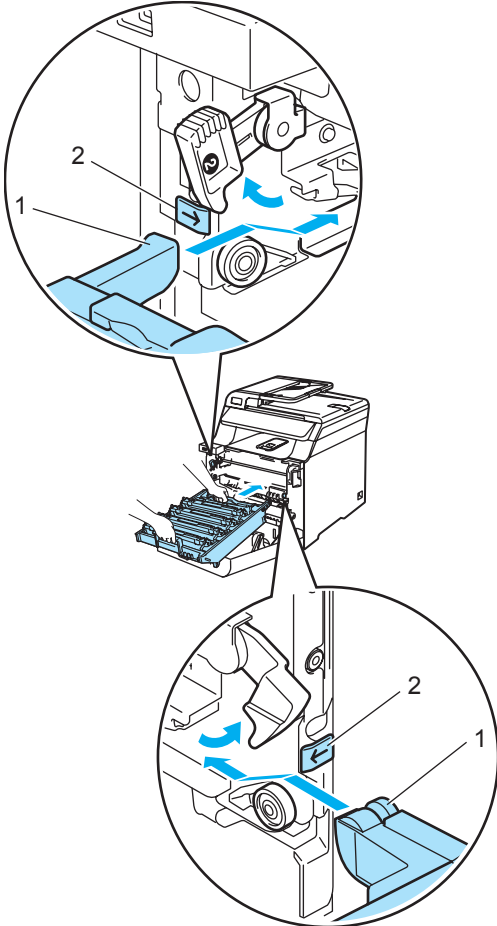
- 1** Make sure that the grey lock lever (1) is in the up position and put the drum unit in the machine. Push down the grey lock lever (1).



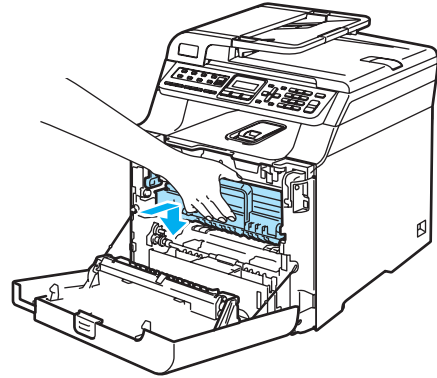
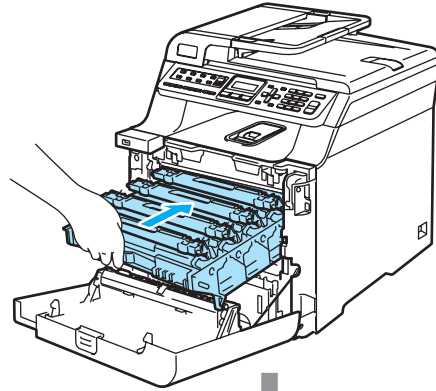
C

 **Note**

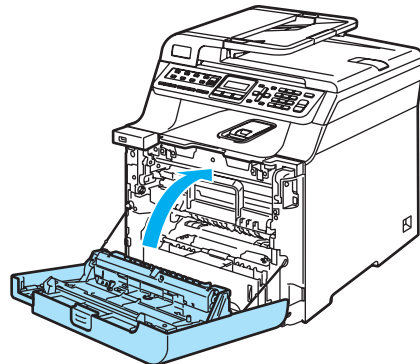
When you put the drum unit in the machine, match the green guides (1) of the drum unit handle to the green arrows (2) on both sides of the machine.



2 Push the drum unit in until it stops.



8 Close the front cover of the machine.



When you replace the drum unit with a new one, you need to reset the drum unit counter by completing the following steps:

9 Turn on the machine's power switch.

- 10 Press **Menu**, **8**, **4**.
Only the parts counters that need to be reset appear in the menu.

```
Machine Info.
4.Reset Menu
```

- 11 Press **▲** or **▼** to choose **Drum**.
Press **OK**.
- 12 Press **1** to reset the drum unit counter.
- 13 Press **Stop/Exit**.

Replacing the belt unit

Order Number: BU-100CL

Change Belt Unit message

When the belt unit runs out, the following message appears on the LCD. When you see this message, you must replace the belt unit:

```
Change Belt Unit
```

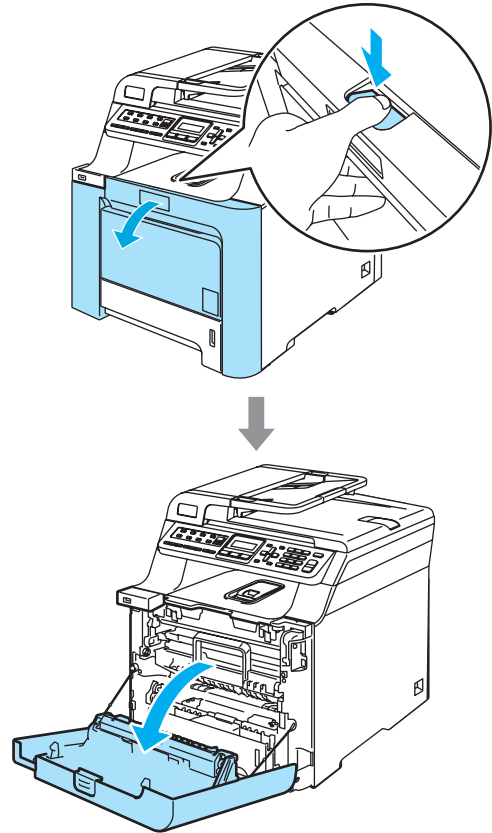
! CAUTION

DO NOT touch the surface of the belt unit. If you touch it, it could degrade print quality.

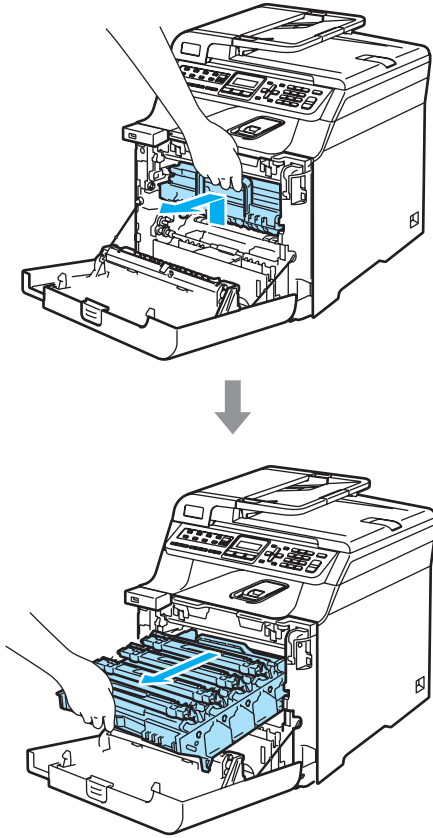
Damage caused by improper handling of the belt unit may void your warranty.

Replacing the belt unit

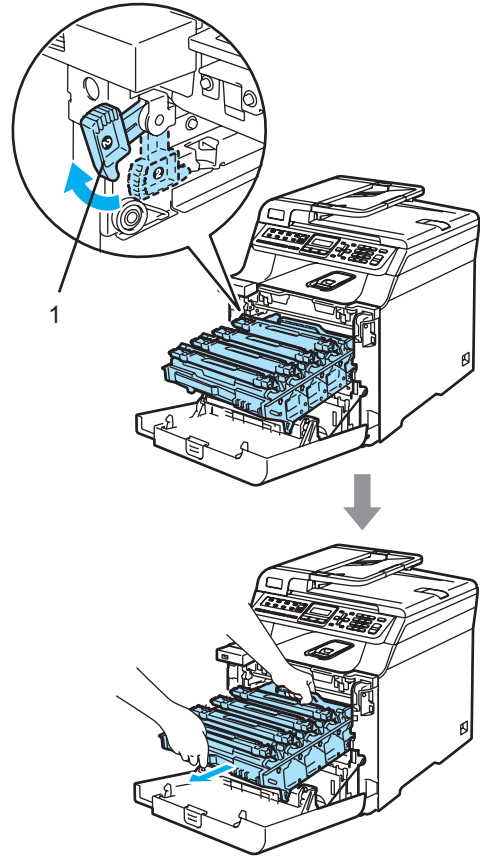
- 1 Turn off the machine's power switch. Press the front cover release button and then open the front cover.



- 2 Hold the green handle of the drum unit. Lift the drum unit up and then pull it out until it stops.

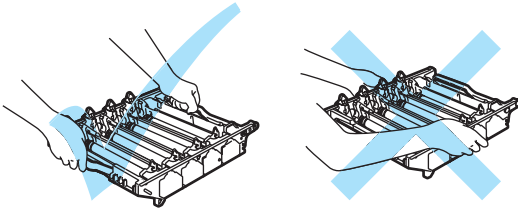


- 3 Release the grey lock lever (1) that is on the left side of the machine. Lift the front of the drum unit and pull the drum unit completely out of the machine using the green handles on the drum unit.



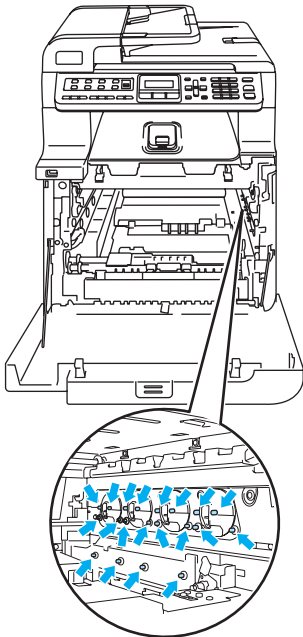
! CAUTION

Make sure that you use the drum unit handles when carrying it. **DO NOT** hold the sides of the drum unit.

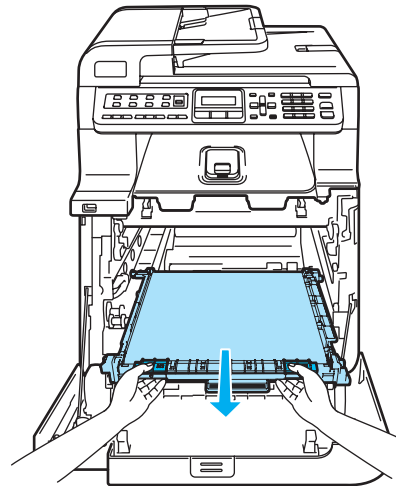
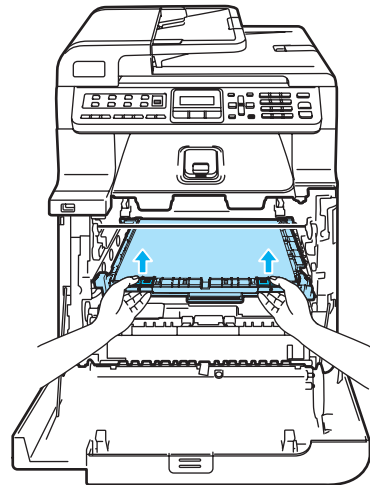


We recommend that you place the drum unit on a flat surface protected by a piece of disposable paper or cloth in case of toner scatter or spillage.

To prevent damage to the machine from static electricity, **DO NOT** touch the electrodes shown in the illustration.



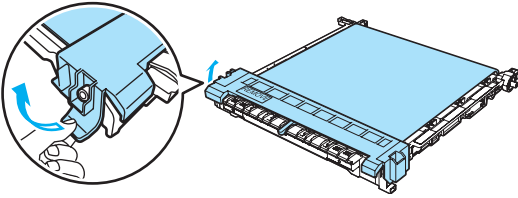
- 4 Hold the green parts of the belt unit with both hands and lift the belt unit up, then pull it out.



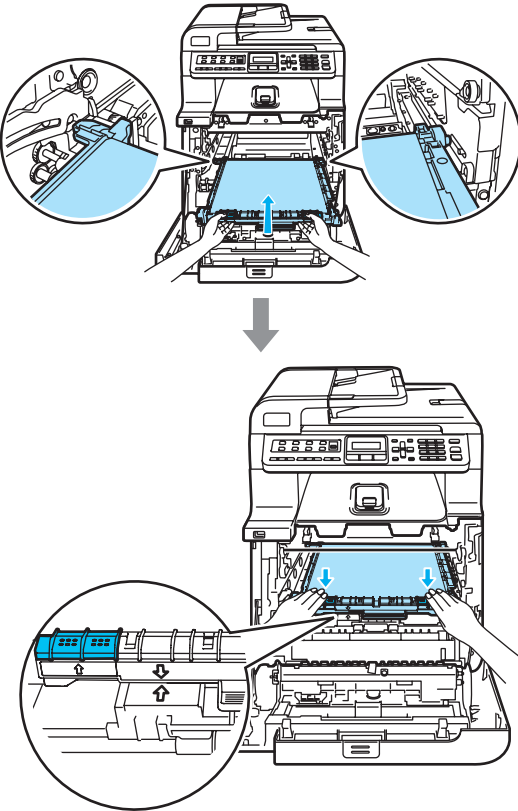
! CAUTION

We recommend that you place the belt unit on a flat surface protected by a piece of disposable paper or cloth in case of toner scatter or spillage.

- 5** Unpack the new belt unit, and remove the protective cover and paper.

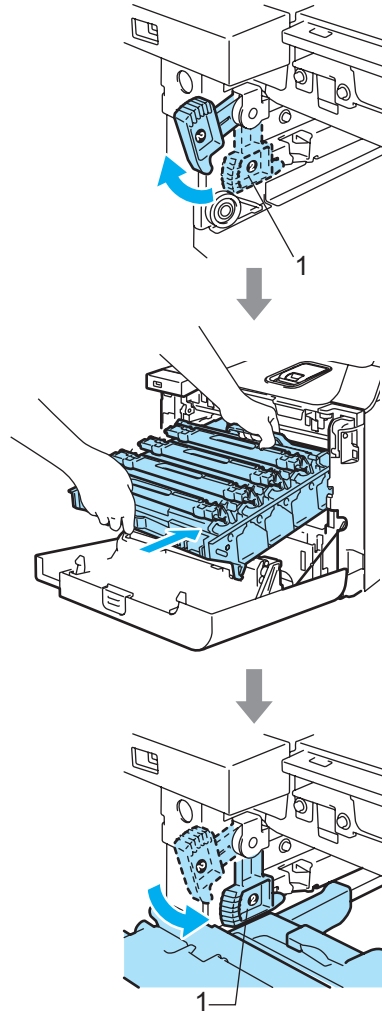


- 6** Put the new belt unit in the machine. Match the ↓ mark on the belt unit to the ↑ mark on the machine. Push down on the green area of the belt unit to lock it in place.



- 7** Put the drum unit back in the machine as follows.

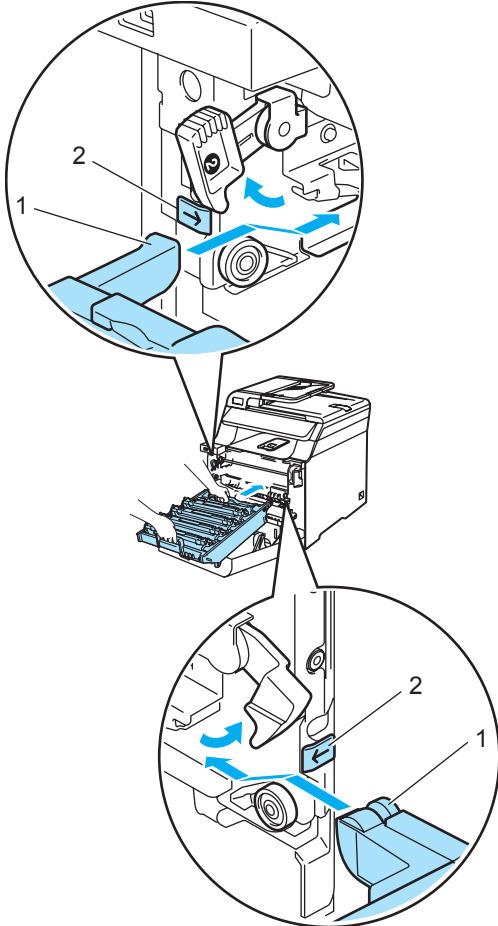
- 1** Make sure that the grey lock lever (1) is in the up position and put the drum unit in the machine. Push down the grey lock lever (1).



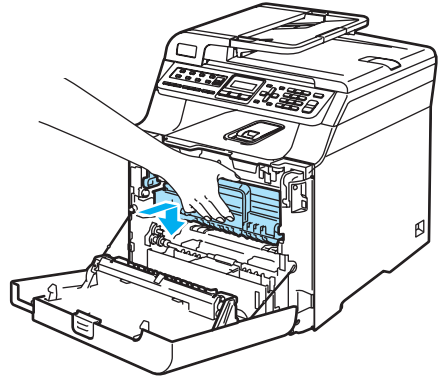
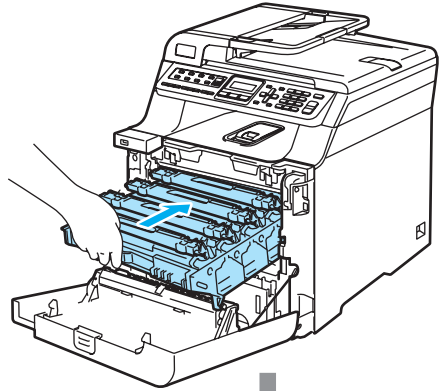


Note

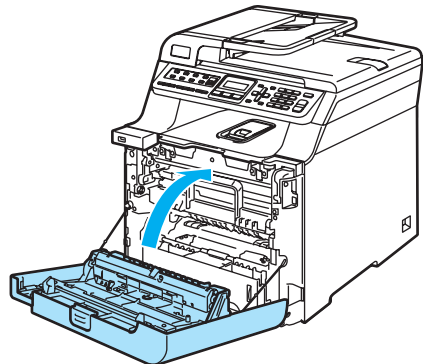
When you put the drum unit in the machine, match the green guides (1) of the drum unit handle to the green arrows (2) on both sides of the machine.



- 2 Push the drum unit in until it stops.



- 8 Close the front cover of the machine.



When you replace the belt unit with a new one, you need to reset the belt unit counter by completing the following steps:

- 9 Turn on the machine's power switch.

- 10 Press **Menu**, **8**, **4**.
Only the parts counters that need to be reset appear in the menu.

```
Machine Info.  
4.Reset Menu
```

- 11 Press **▲** or **▼** to choose **Belt Unit**.
Press **OK**.
- 12 Press **1** to reset the belt unit counter.
- 13 Press **Stop/Exit**.

Replacing the waste toner box

Order Number: WT-100CL

Change waste toner soon message

After you have printed approximately 20,000 images at 5% coverage for CMYK each, you must change the waste toner box. The actual number of printed pages will vary depending on the print jobs and paper you use.

```
Waste Toner Soon
```

Waste Toner Box Full message

When the waste toner box is full, the following message appears on the LCD and the machine will stop printing. When you see this message, you must replace the toner box:

```
Waste Toner Full
```

! WARNING

DO NOT reuse the waste toner box.

Replacing the waste toner box

! WARNING

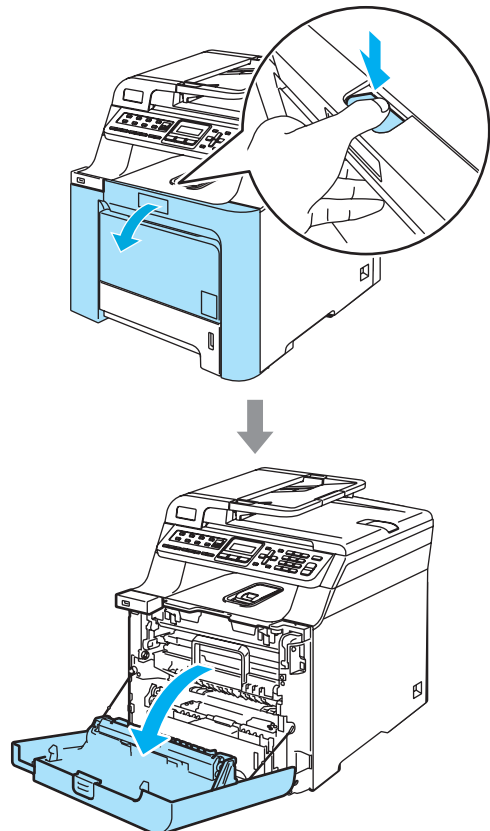
DO NOT put the waste toner box into a fire. It could explode.

Be careful not to spill the toner. DO NOT inhale or allow it to get into your eyes.

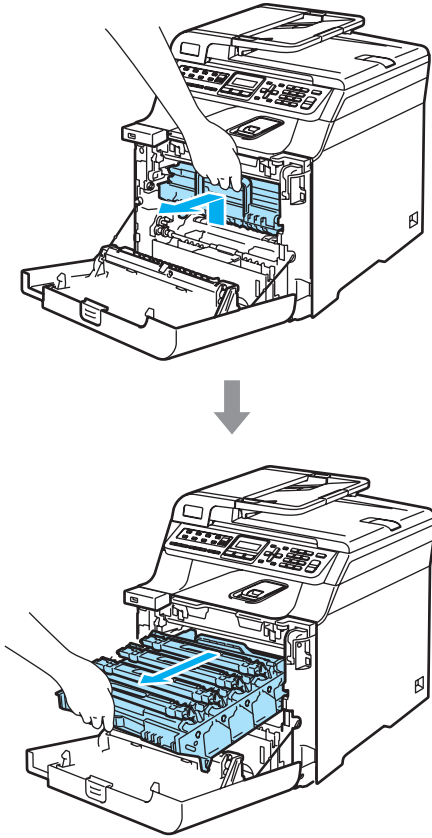
! CAUTION

Handle the waste toner box carefully. If toner scatters on your hands or clothes, wipe or wash it off with cold water at once.

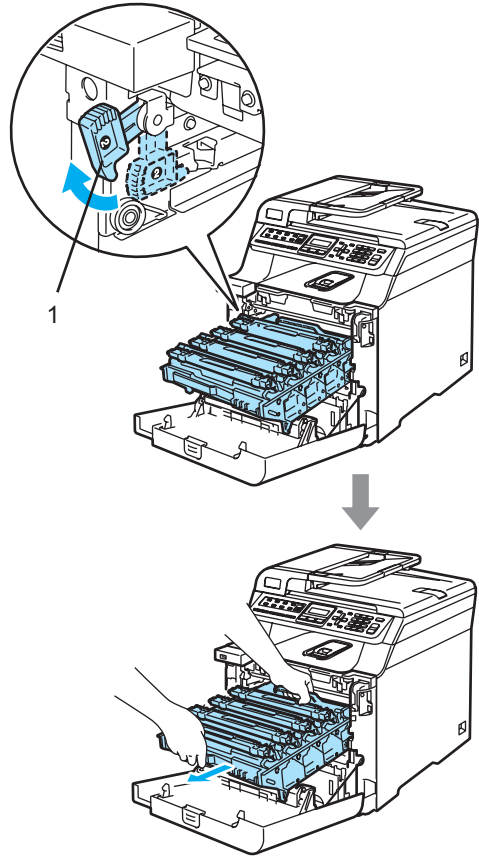
- 1 Press the front cover release button and then open the front cover.



- 2 Hold the green handle of the drum unit. Lift the drum unit up and then pull it out until it stops.

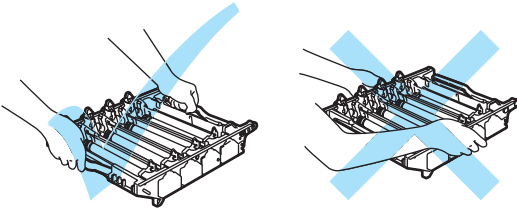


- 3 Release the grey lock lever (1) that is on the left side of the machine. Lift the front of the drum unit and pull the drum unit completely out of the machine using the green handles on the drum unit.



! CAUTION

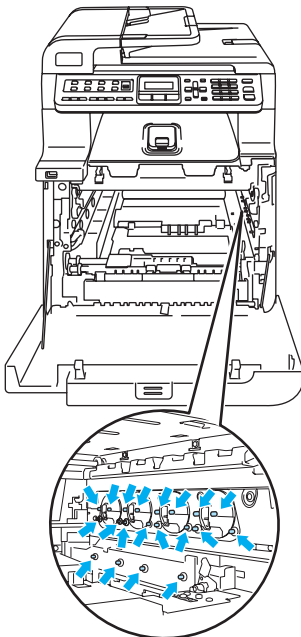
Make sure that you use the drum unit handles when carrying it. **DO NOT** hold the sides of the drum unit.



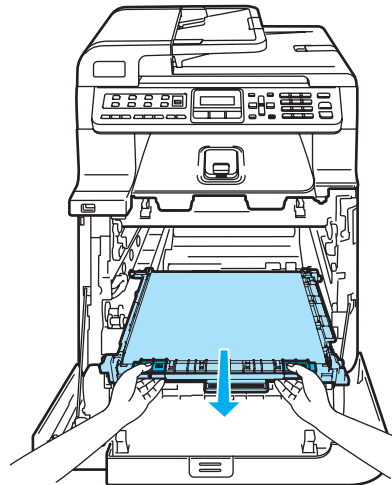
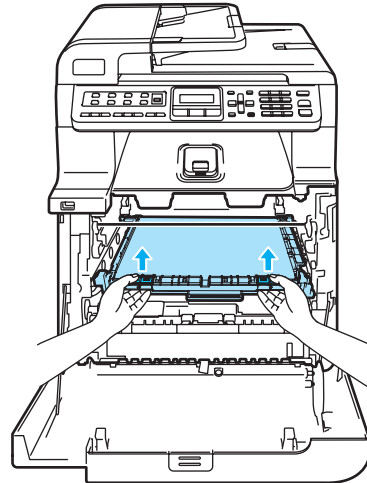
We recommend that you place the drum unit on a flat surface protected by a piece of disposable paper or cloth in case of toner scatter or spillage.

If toner scatters on your hands or clothes, wipe or wash it off with cold water at once.

To prevent damage to the machine from static electricity, **DO NOT** touch the electrodes shown in the illustration.



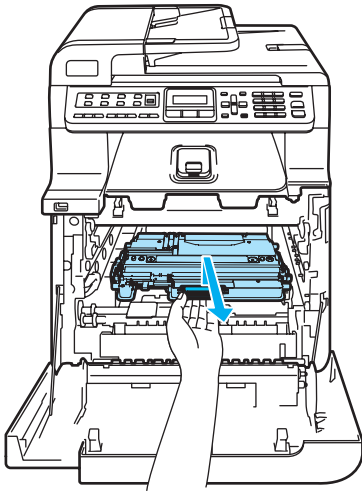
- 4 Hold the green parts of the belt unit with both hands and lift the belt unit up, then pull it out.



! CAUTION

We recommend that you place the belt unit on a clean, flat surface with a piece of disposable paper underneath it in case you accidentally spill or scatter toner.

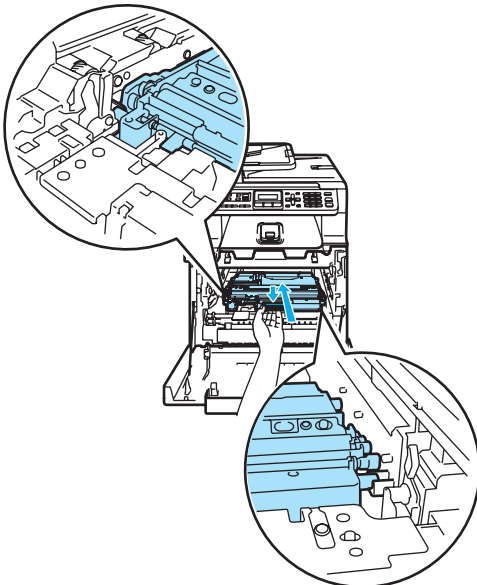
- 5 Remove the waste toner box from the machine using the green handle.



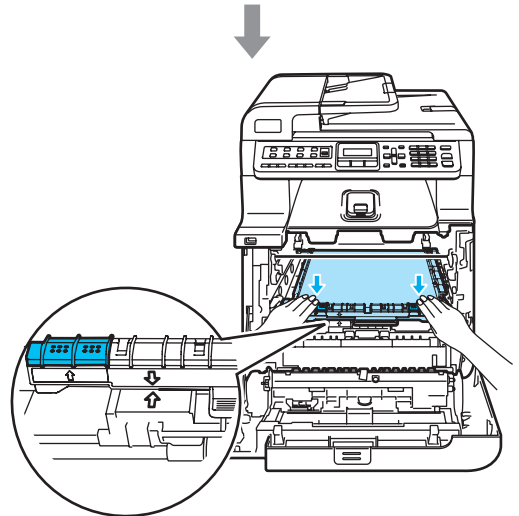
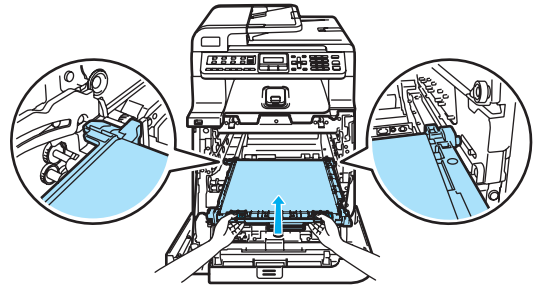
Note

Discard the used waste toner box according to local regulations, keeping it separate from domestic waste. If you have questions, call your local waste disposal office.

- 6 Unpack the new waste toner box and put the new one in the machine using the green handle.

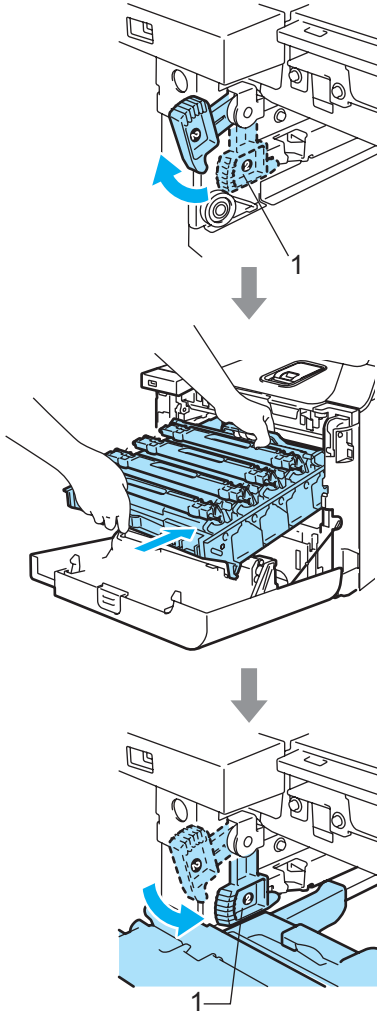


- 7 Put the belt unit back in the machine. Match the ↓ mark on the belt unit to the ↑ mark on the machine. Push down on the green area of the belt unit to lock it in place.



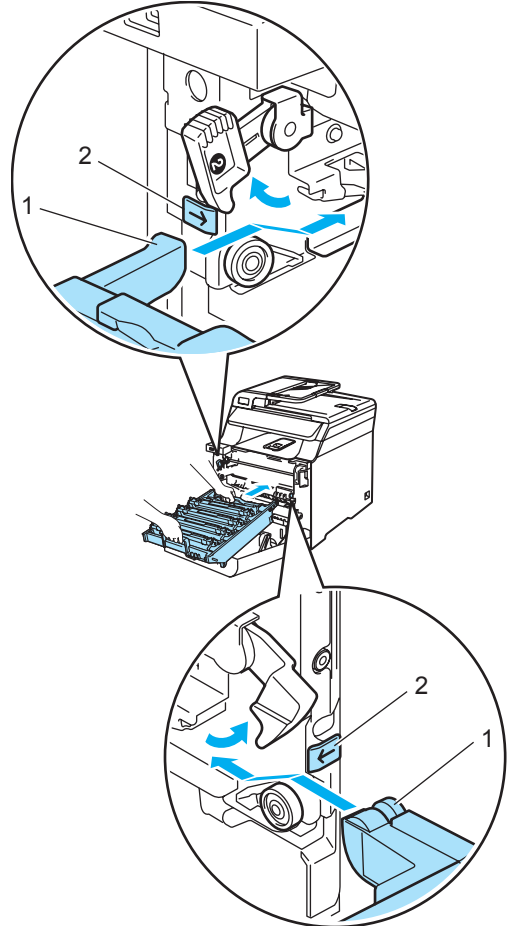
8 Put the drum unit back in the machine as follows.

- 1 Make sure that the grey lock lever (1) is in the up position and put the drum unit in the machine. Push down the grey lock lever (1).

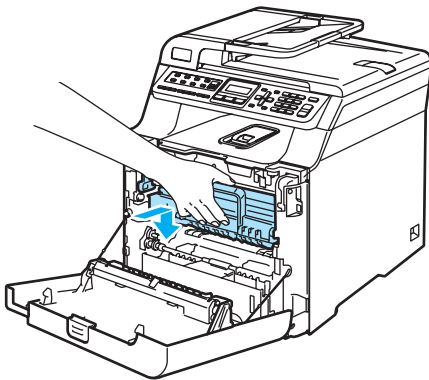
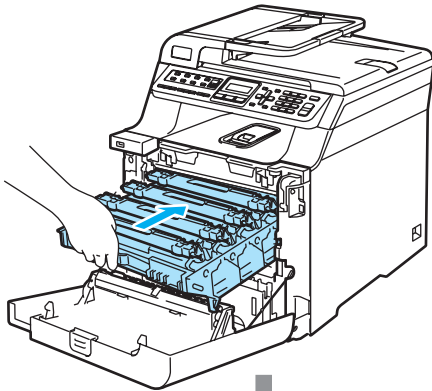


 **Note**

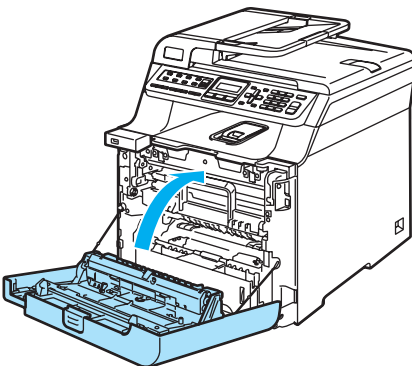
When you put the drum unit in the machine, match the green guides (1) of the drum unit handle to the green arrows (2) on both sides of the machine.



2 Push the drum unit in until it stops.



9 Close the front cover of the machine.



Packing and shipping the machine

If for any reason you must move or ship your machine, carefully re-pack the machine in the original packing material to avoid any damage during transport. If you do not pack the machine properly, you could void your warranty. The machine should be adequately insured with the carrier.

If the machine must be shipped, please read the instructions in this section which explains how to properly prepare your machine for transport.



WARNING

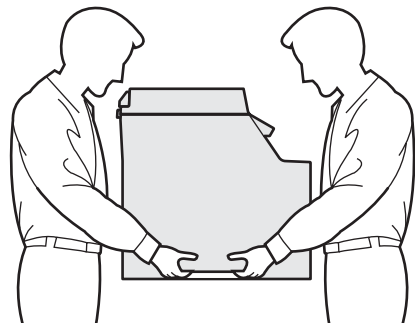
Once your machine has been set up and used, we **DO NOT** recommend that it be moved or shipped unless absolutely necessary.

Color laser printers are complex printing devices. Moving the machine or shipping it without properly removing the installed supplies can result in **SEVERE** damage to the machine. As a result, your machine may not operate properly afterwards.

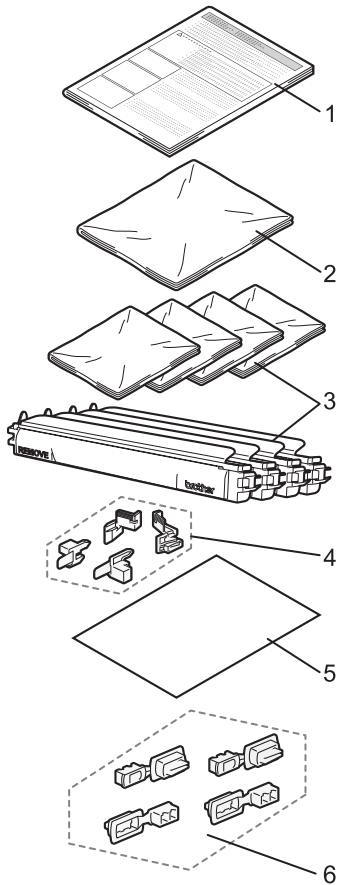
Failure to properly prepare the machine for shipping according to the instructions in this section may

VOID YOUR WARRANTY.

To prevent injuries when moving or lifting this machine, make sure at least two people lift the machine together. Be careful not to pinch your fingers when you put the machine down.



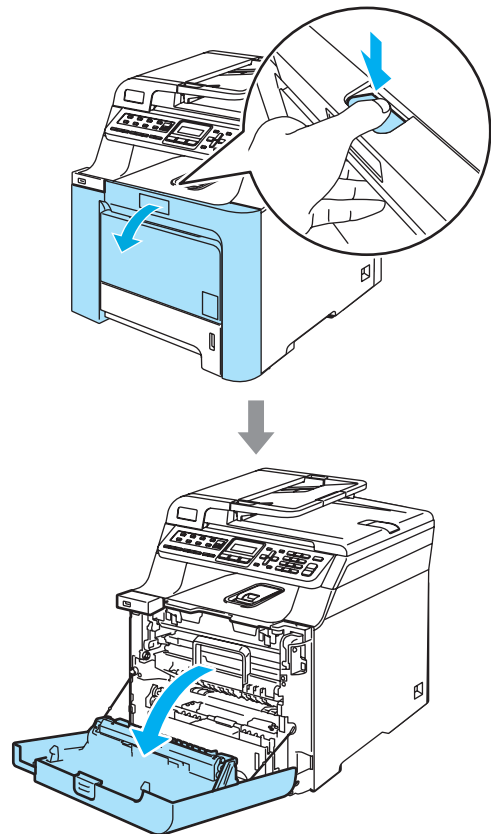
Make sure that you have the following parts for repacking:



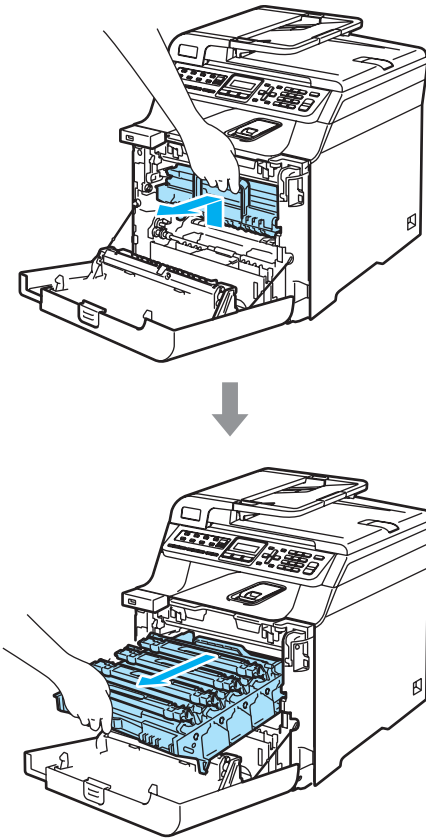
- 1 Insertion sheet for repacking
- 2 Plastic bag for the waste toner box
- 3 Orange protective cover and plastic bag that the toner cartridge originally came in (4 pieces of each)
- 4 Orange packing material for locking the drum unit and the belt unit (4 pieces)
- 5 A piece of paper (Letter or A4) to protected the belt unit (supplied by the user)
- 6 Joints for attaching cartons (4 pieces)

Repacking the machine

- 1 Turn off the machine's power switch. Unplug the telephone line cord first, and then unplug the power cord from the AC power outlet.
- 2 Press the front cover release button and then open the front cover.



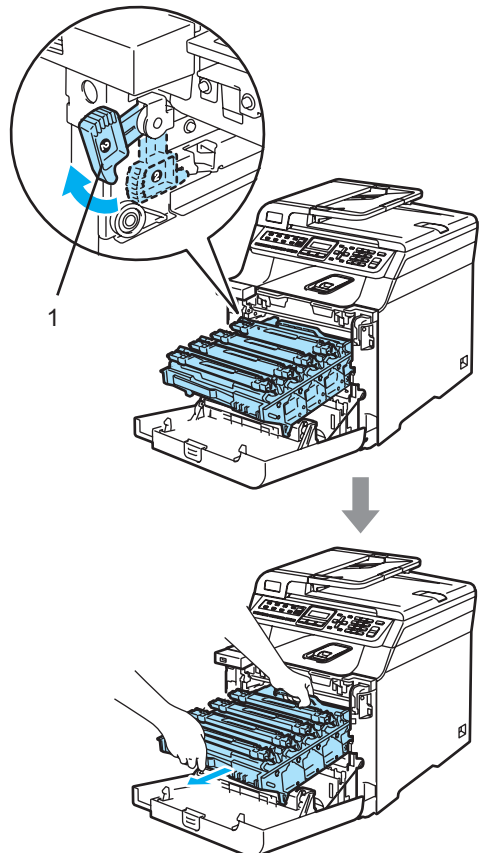
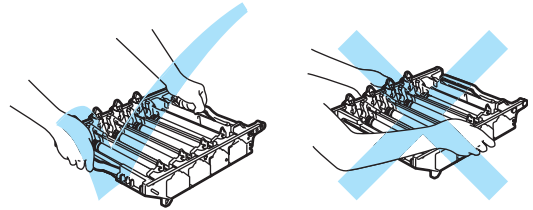
- 3 Hold the green handle of the drum unit. Lift the drum unit up and then pull it out until it stops.



- 4 Release the grey lock lever (1) that is on the left side of the machine. Lift the front of the drum unit and pull the drum unit completely out of the machine using the green handles on the drum unit.

! CAUTION

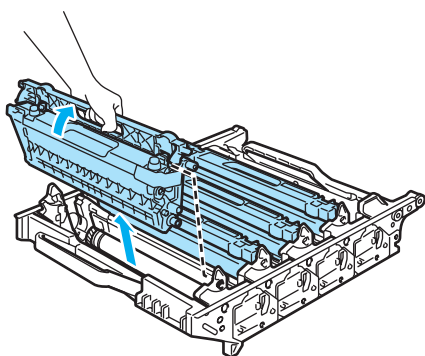
Hold the handles of the drum unit when you carry it. DO NOT hold the sides of the drum unit.



! CAUTION

We recommend that you place the drum unit on a clean, flat surface with a piece of disposable paper underneath it in case of you accidentally spill or scatter toner.

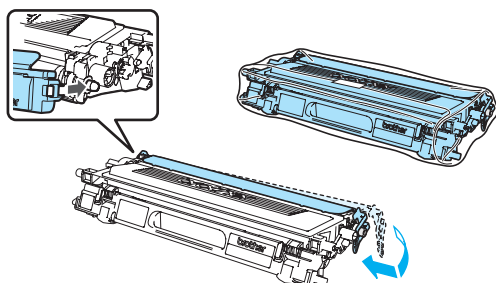
- 5 Hold the handle of the toner cartridge and pull it out of the drum unit. Repeat this for all of the toner cartridges.



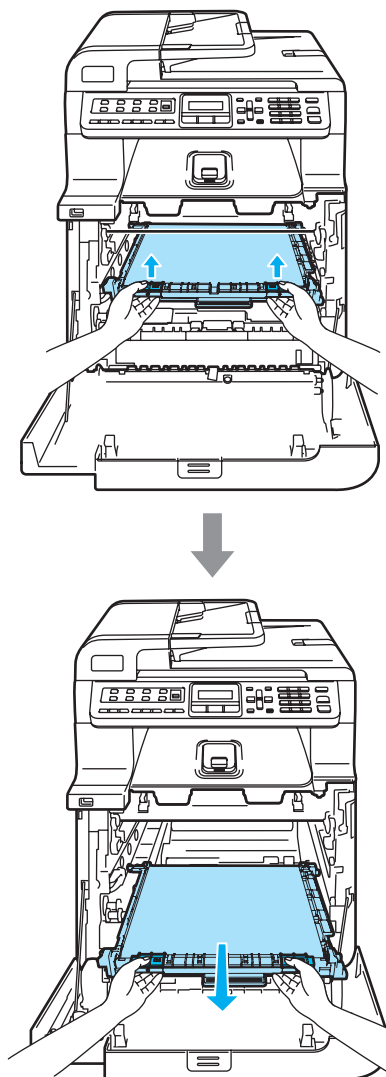
! CAUTION

We recommend that you place the toner cartridges on a clean, flat surface with a piece of disposable paper underneath it in case of you accidentally spill or scatter toner.

- 6 Attach the original orange protective cover to each of the toner cartridges. Place each of the toner cartridges into the plastic bag that the cartridge originally came in.



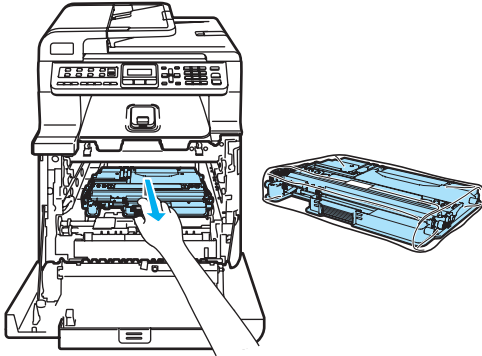
- 7 Hold the green parts of the belt unit with both hands and lift the belt unit up, then pull it out.



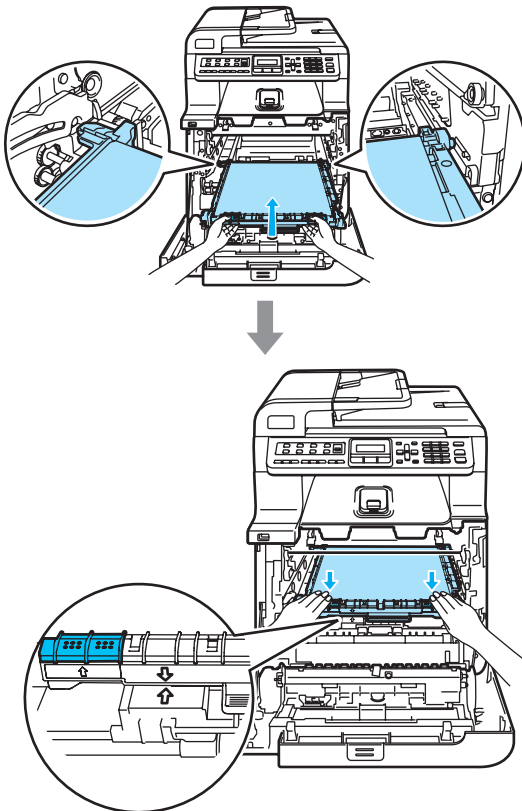
! CAUTION

We recommend that you place the belt unit on a clean, flat surface with a piece of disposable paper underneath it in case of you accidentally spill or scatter toner.

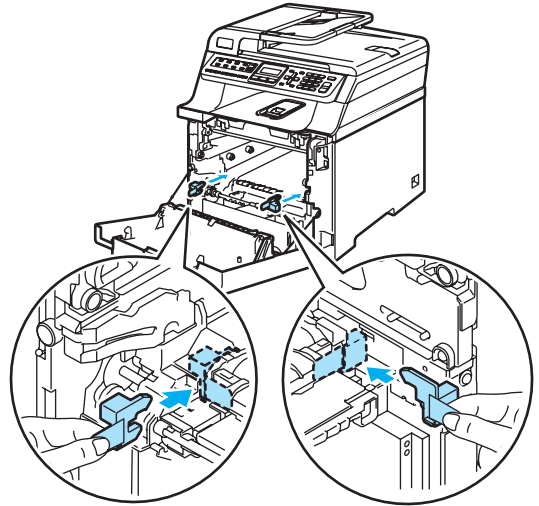
- 8 Remove the waste toner box from the machine using the green handle and place it into the plastic bag included in the carton.



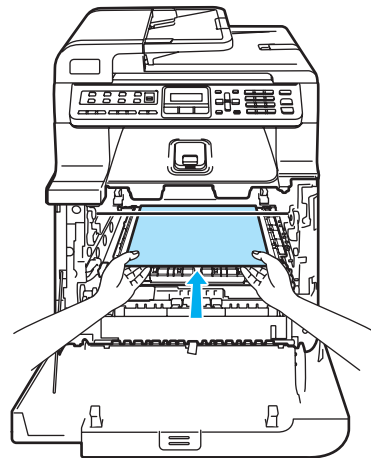
- 9 Put the belt unit back in the machine. Match the ↓ mark on the belt unit to the ↑ mark on the machine. Push down on the green area of the belt unit to lock it in place.



- 10 Insert the original orange packing material for locking the belt unit as shown in the illustration.

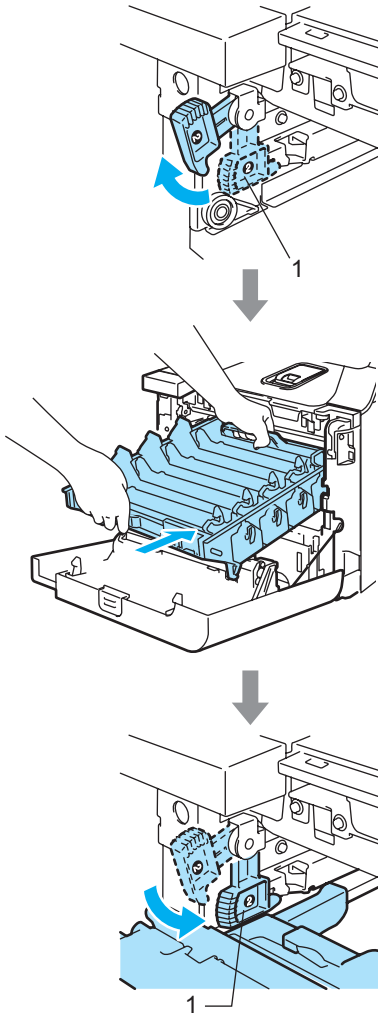


- 11 Put a piece of paper (letter or A4) on the belt unit to prevent damage to the belt unit.



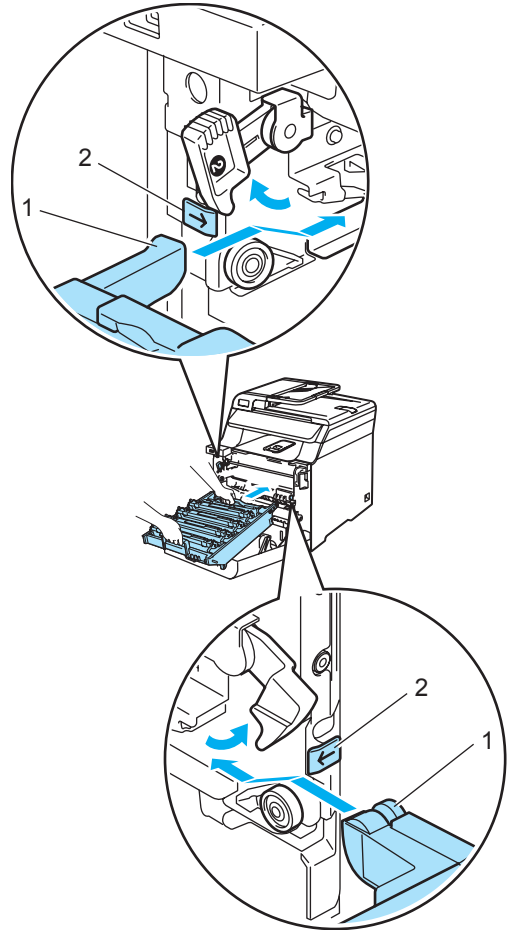
12 Put the drum unit back in the machine as follows.

- 1** Make sure that the grey lock lever (1) is in the up position and put the drum unit in the machine. Push down the grey lock lever (1).

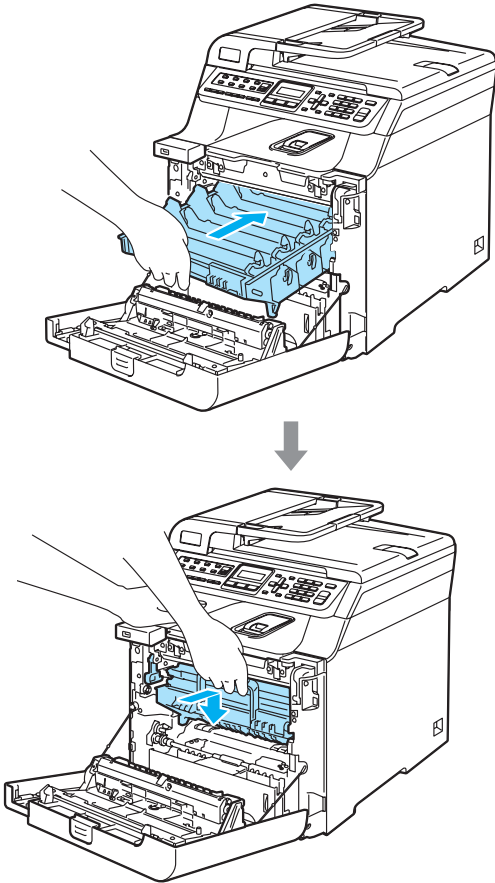


 **Note**

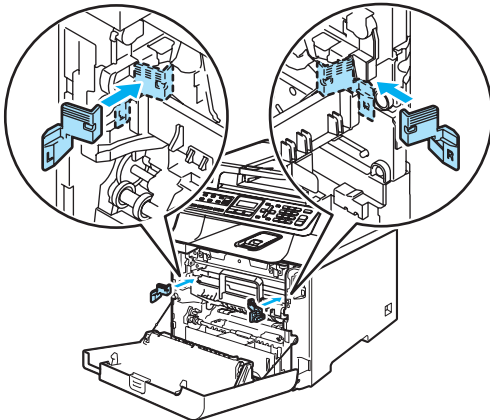
When you put the drum unit in the machine, match the green guides (1) of the drum unit handle to the green arrows (2) on both sides of the machine.



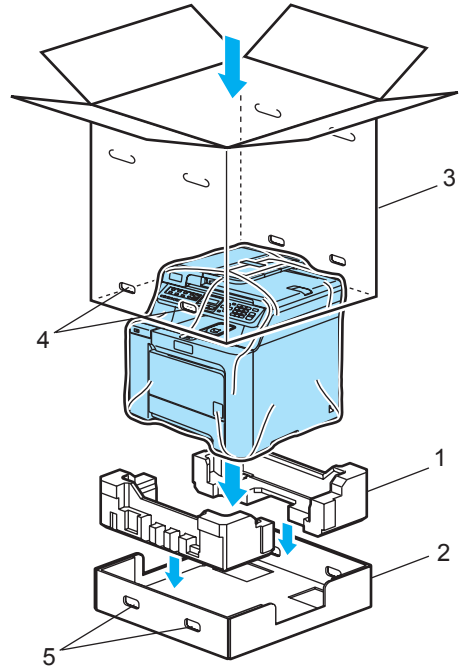
- 2** Push the drum unit back in until it stops.



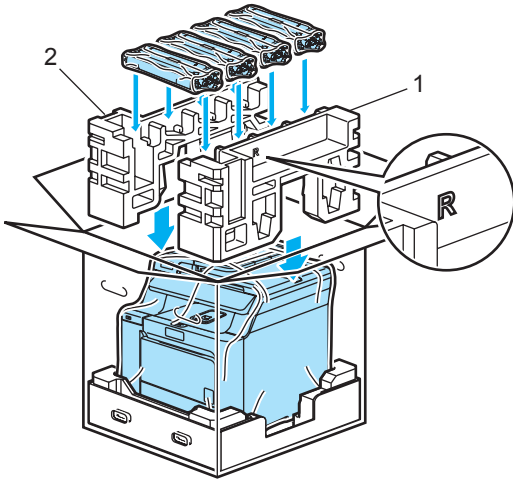
- 13** Insert the original orange packing material for the drum unit until as shown in the illustration, and then close the front cover.



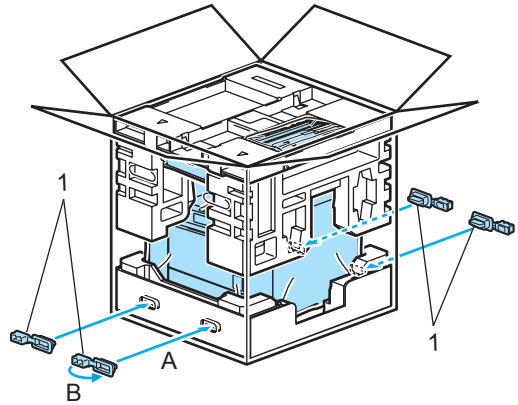
- 14** Two people should place the machine into the plastic bag and put the machine on the styrofoam pieces (1) in the lower carton (2). Put the upper carton (3) over the machine and the lower carton. Match the joint holes (4) of the upper carton to the joint holes (5) of the lower carton.



- 15 Put the two styrofoam pieces for the toner cartridges on the top of the machine. Match the right side of the machine to the “R” mark on one of the styrofoam pieces (1), and the left side of the machine to the “L” mark on the other styrofoam piece (2). Put the toner cartridges in the styrofoam.

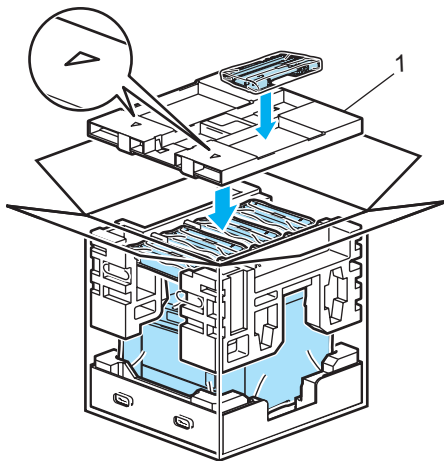


- 17 Put the four joints (1) into the holes of the carton using steps A and B as shown below.



- 18 Close the carton and tape it shut.

- 16 Put the carton tray (1) on the top. Match the front side of the machine to the Δ marks on the carton tray. Place the waste toner box in the right side of the carton tray.



Machine information

Checking the serial number

You can see the machine's serial number on the LCD.

- 1 Press **Menu**, **8**, **1**.

```
Machine Info.
1.Serial No.
```

- 2 Press **Stop/Exit**.

Checking the page counters

You can see the machine's page counters for copies, printed pages, reports and lists, faxes or a summary total.

- 1 Press **Menu**, **8**, **2**.

```
Machine Info.
2.Page Counter
```

- 2 Press **▲** or **▼** to choose **Total**, **Fax/List**, **Copy** or **Print**.

```
Page Counter
Total :XXXXXX
```

```
Page Counter
Fax/List :XXXXXX
```

```
Page Counter
Copy :XXXXXX
```

```
Page Counter
Print :XXXXXX
```

- 3 Press **OK**.
You can see the machine's page counters for color and black & white.

```
Color :XXXXXX
B&W :XXXXXX
```

- 4 Press **Stop/Exit**.

Checking the remaining life of parts

You can view the remaining life of these parts on the LCD.

- 1 Press **Menu**, **8**, **3**.

```
Machine Info.
3.Parts Life
```

- 2 Press **▲** or **▼** to choose 1.Drum, 2.Belt Unit, 3.PF kit MP, 4.PF kit 1, 5.PF kit 2¹, 6.Fuser or 7.Laser.
Press **OK**.

```
Drum
Remaining: XXX
```

¹ PF kit 2 appears only when the optional LT-100CL tray is installed.

- 3 Press **Stop/Exit**.



Note

The life check of a part will be accurate only if that part's life counter was reset when the new part was installed. It will not be accurate if that part's life counter was reset during the life of the used part.

D

Menu and features

On-screen programming

Your machine has been designed to be easy to use. The LCD provides on-screen programming using the menu keys.

We have created step by step on-screen instructions to help you program your machine. Simply follow the steps as they guide you through the menu selections and programming options.

Menu table

You can program your machine by using the *Menu table* on page 188. These pages list the menu selections and options.

Press **Menu** followed by the menu numbers to program your machine.




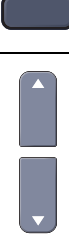


For example, to set *Beeper* volume to *Low*:

- 1 Press **Menu**, **1**, **4**, **2**.
- 2 Press **▲** or **▼** to choose *Low*.
- 3 Press **OK**.

Memory storage

Your menu settings are stored permanently, and in the event of a power failure will *not* be lost. Temporary settings (for example, Contrast, Overseas Mode) *will* be lost. Your machine can store the date and time for approximately 4 days.

Menu keys

	Access the menu.
	Go to the next menu level. Accept an option.
	Exit the menu by pressing repeatedly. Go back to the previous menu level.
	Scroll through the current menu level.
	Go back to the previous menu level or forward to the next menu level.
	Exit the menu.

How to access the menu mode

- 1 Press **Menu**.
- 2 Choose an option.
 - Press **1** for General Setup menu.
 - Press **2** for Fax menu.
 - Press **3** for Copy menu.
 - Press **4** for Printer menu.
 - Press **5** for USB Direct I/F menu.
 - Press **6** for Print Reports menu.
 - Press **7** for LAN menu.
 - Press **8** for Machine Info. menu.
 - Press **9** for Service menu.¹
 - Press **0** for Initial Setup.

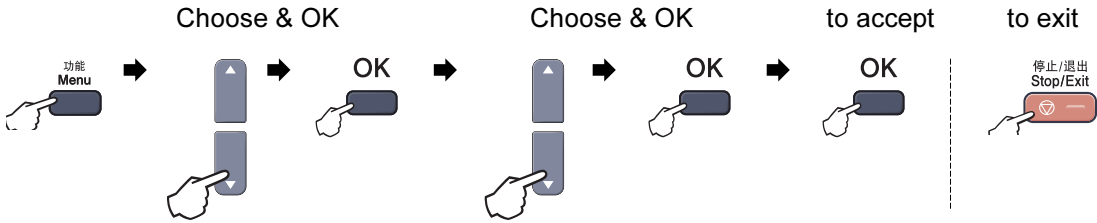
¹ This will appear only when the LCD shows an error message.

You can also scroll through each menu level by pressing **▲** or **▼** for the direction you want.

- 3 Press **OK**.
The LCD will then show the next menu level.
- 4 Press **▲** or **▼** to scroll to your next menu selection.
- 5 Press **OK**.
When you have finished setting an option, the LCD shows *Accepted*.
- 6 Press **Stop/Exit** to return to the top menu.

Menu table

The factory settings are shown in bold with an asterisk.



Main Menu	Submenu	Menu Selections	Options	Descriptions	Page
1. General Setup	1. Mode Timer	—	0 Sec 30 Secs 1 Min 2 Mins* 5 Mins Off	Sets the time to return to Fax mode.	20
	2. Paper Type	1. MP Tray	Plain* Plain (Thick) Thick Thicker Recycled Paper	Sets the type of paper in the MP tray.	20
		2. Tray#1	Plain* Plain (Thick) Recycled Paper	Sets the type of paper in the paper tray.	20
		3. Tray#2 (This menu only appears if you have the optional tray #2)	Plain* Plain (Thick) Recycled Paper	Sets the type of paper in the optional paper tray #2.	20
3. Paper Size	1. MP Tray	A4* Letter Legal Executive A5 A6 B5 B6 Folio Any	Sets the size of the paper in the MP tray.	21	

Main Menu	Submenu	Menu Selections	Options	Descriptions	Page
1. General Setup (continued)	3. Paper Size (continued)	2. Tray#1	A4* Letter Legal Executive A5 A6 B5 B6 Folio	Sets the size of the paper in the paper tray.	21
		3. Tray#2 (This menu only appears if you have the optional tray #2)	A4* Letter Legal Executive A5 B5 B6 Folio	Sets the size of the paper in the optional paper tray #2.	21
	4. Volume	1. Ring	Off Low Med* High	Adjusts the ring volume.	23
		2. Beeper	Off Low Med* High	Adjusts the volume level of the beeper.	23
		3. Speaker	Off Low Med* High	Adjusts the speaker volume.	23
	5. Ecology	1. Toner Save	On Off*	Increases the page yield of the toner cartridge.	24
		2. Sleep Time	(000-240) 005Min*	Conserves power.	24

Main Menu	Submenu	Menu Selections	Options	Descriptions	Page	
1. General Setup (continued)	6. Tray Use	1. Copy	Tray#1 Only Tray#2 Only MP Only MP>T1>T2* T1>T2>MP (Tray#2 or T2 appears only if you installed the optional paper tray.)	Selects the tray that will be used for Copy mode.	21	
		2. Fax	Tray#1 Only Tray#2 Only MP Only MP>T1>T2 T1>T2>MP* (Tray#2 or T2 appears only if you installed the optional paper tray.)	Selects the tray that will be used for Fax mode.	22	
		3. Print	Tray#1 Only Tray#2 Only MP Only MP>T1>T2* T1>T2>MP (Tray#2 or T2 appears only if you installed the optional paper tray.)	Selects the tray that will be used for PC print.	22	
	7. LCD Contrast	—	▼ -□□□■+ ▲ ▼ -□□■□+ ▲ ▼ -□■□□+ ▲* ▼ -□■□□+ ▲ ▼ -■□□□+ ▲	Adjusts the contrast of the LCD.	24	
	8. Security	1. Mem Security	—	—	Stops unauthorized users from most operations except receiving faxes into the memory.	27
		2. Setting Lock	—	—	Stops unauthorized users from changing the machine's current settings.	26

Main Menu	Submenu	Menu Selections	Options	Descriptions	Page
2. Fax	1. Setup Receive (In Fax mode only)	1. Ring Delay	(00-10) 02*	Sets the number of rings before the machine answers in Fax Only or Fax/Tel mode.	41
		2. F/T Ring Time	20 Secs 30 Secs* 40 Secs 70 Secs	Sets the pseudo/double-ring time in Fax/Tel mode.	41
		3. Fax Detect	On* Off	Receives fax messages without pressing Mono Start or Color Start .	41
		4. Remote Codes	On (*51, #51) Off*	Allows you to answer all calls at an extension or external telephone and use codes to turn the machine on or off. You can personalize these codes.	46
		5. Auto Reduction	On* Off	Cuts the size of incoming faxes.	42
		6. Memory Receive	On* Off	Automatically stores any incoming faxes in its memory if it runs out of paper.	43
		7. Print Density	▼ -□□□■+ ▲ ▼ -□□■□+ ▲ ▼ -□□■□+ ▲* ▼ -□■□□+ ▲ ▼ -■□□□+ ▲	Makes printouts darker or lighter.	42
		8. Polling RX	Standard* Secure Timer	Sets up your machine to poll another fax machine.	60
		9. Fax Rx Stamp (B&W only)	On Off*	Prints the received time and date on the top of the received faxes.	43
	2. Setup Send (In Fax mode only)	1. Contrast	Auto* Light Dark	Changes the lightness or darkness of faxes you send.	34
		2. Fax Resolution	Standard* Fine S. Fine (B&W only) Photo (B&W only)	Sets the default resolution for outgoing faxes.	35

Main Menu	Submenu	Menu Selections	Options	Descriptions	Page
2. Fax (continued)	2. Setup Send (In Fax mode only) (continued)	3. Delayed Fax (B&W only)	—	Sets the time of day in 24 hour format that the delayed faxes will be sent.	37
		4. Batch TX (B&W only)	On Off*	Combines delayed faxes going to the same fax number at the same time of day into one transmission.	37
		5. Real Time TX	Next Fax: On Next Fax: Off On Off*	Sends a fax without using the memory.	36
		6. Polled TX	Standard* Secure	Sets up your machine with a document to be retrieved by another fax machine.	62
		7. Coverpg Setup (B&W only)	Next Fax: On Next Fax: Off On Off* Print Sample	Automatically sends a cover page you have programmed.	33
		8. Coverpage Note (B&W only)	—	Sets up your own comments for the fax cover page.	33
		9. Overseas Mode	On Off*	If you are having difficulty sending faxes overseas, set this to on.	36
	3. Set Quick-Dial	1. One-Touch Dial	—	Stores up to 16 One-Touch Dial numbers, so you can dial by pressing one key (and Mono Start or Color Start).	50
		2. Speed-Dial	—	Stores up to 300 Speed-Dial numbers, so you can dial by pressing only a few keys (and Mono Start or Color Start).	51
		3. Setup Groups	—	Sets up to 20 Group numbers for Broadcasting.	52

Main Menu	Submenu	Menu Selections	Options	Descriptions	Page
2. Fax (continued)	4. Report Setting	1. Transmission	On On+Image Off* Off+Image	Sets initial setup for Transmission Verification Report and Fax Journal.	64
		2. Journal Period	Off Every 50 Faxes* Every 6 Hours Every 12 Hours Every 24 Hours Every 2 Days Every 7 Days	Sets the interval for automatic printing of the Fax Journal.	64
	5. Remote Fax Opt	1. Forward/Store (Backup Print)	Off* Fax Forward Fax Storage PC Fax Receive	Sets the machine to forward fax messages, to store incoming faxes in the memory (so you can retrieve them while you are away from your machine), or to send faxes to your PC. If you chose Fax Forward or PC Fax Receive, you can turn on the safety feature Backup Print.	54
		2. Remote Access	---*	Sets your own code for Remote Retrieval.	56
		3. Print Document	—	Prints incoming faxes stored in the memory.	43
	6. Remaining Jobs	—	—	You can check which jobs are in the memory and lets you cancel scheduled jobs.	37
	0. Miscellaneous	1. Compatibility	High* Normal Basic (for VoIP)	Adjusts the equalization for transmission difficulties. VoIP service providers offer fax support using various standards. If you regularly experience fax transmission errors, choose Basic (for VoIP).	118
		2. Fax Mode	Advanced Mode Easy Mode	Selects the transmission process when sending/ receiving the faxes manually.	25

Main Menu	Submenu	Menu Selections	Options	Descriptions	Page	
3.Copy	1.Quality	—	Auto* Text Photo	You can choose the Copy resolution for your type of document.	71	
	2.Brightness	—	▼ -□□□□■+ ▲ ▼ -□□□□■+ ▲ ▼ -□□□□■+ ▲* ▼ -□□□□■+ ▲ ▼ -■□□□□+ ▲	Adjusts the brightness for copies.	72	
	3.Contrast	—	▼ -□□□□■+ ▲ ▼ -□□□□■+ ▲ ▼ -□□□□■+ ▲* ▼ -□□□□■+ ▲ ▼ -■□□□□+ ▲	Adjusts the contrast for copies.	72	
	4.Color Adjust	1.Red		▼ -□□□□■+ ▲ ▼ -□□□□■+ ▲ ▼ -□□□□■+ ▲* ▼ -□□□□■+ ▲ ▼ -■□□□□+ ▲	Adjusts the red color for copies.	73
		2.Green		▼ -□□□□■+ ▲ ▼ -□□□□■+ ▲ ▼ -□□□□■+ ▲* ▼ -□□□□■+ ▲ ▼ -■□□□□+ ▲	Adjusts the green color for copies.	
		3.Blue		▼ -□□□□■+ ▲ ▼ -□□□□■+ ▲ ▼ -□□□□■+ ▲* ▼ -□□□□■+ ▲ ▼ -■□□□□+ ▲	Adjusts the blue color for copies.	

Main Menu	Submenu	Menu Selections	Options	Descriptions	Page
4. Printer	1. Emulation	—	Auto* HP LaserJet BR-Script 3	Chooses the emulation mode.	<i>See Software User's Guide on the CD-ROM.</i>
	2. Print Options	1. Internal Font	—	Prints a list of the machine's internal fonts.	
		2. Configuration	—	Prints a list of the machine's printer settings.	
		3. Test Print	—	Prints a test page.	
	3. Output Color	—	Auto* Color B&W	Chooses color or black & white printed documents. If you choose Auto , the machine selects a suitable option for the document (color or B&W)	
	4. Reset Printer	1. Reset	—	Returns the PCL setting to the default settings.	
		2. Exit	—		
	5. Calibration	—	Calibrate Reset	Adjusts the color density or returns the color calibration to the factory setting.	
	6. Auto Regist.	1. Registration	1. Start	Adjust the print position of each color automatically.	
			2. Exit		
		2. Frequency	Low Medium* High Off	Set the interval time you want to carry out the auto registration.	
	7. Manual Regist.	1. Print Chart	—	Print the chart to manually check the registration of the colors.	
		2. Set Regist.	1 Magenta Left 2 Cyan Left 3 Yellow Left 4 Magenta Center 5 Cyan Center 6 Yellow Center 7 Magenta Right 8 Cyan Right 9 Yellow Right	Sets the correction value on the chart you printed out from Print Chart.	

Main Menu	Submenu	Menu Selections	Options	Descriptions	Page
5.USB Direct I/F	1.Direct Print	1.Paper Size	A4* Letter Legal Executive A5 A6 B5 B6 Folio	Sets the paper size when printing directly from the USB flash memory drive.	83
		2.Media Type	Plain* Plain (Thick) Thick Thicker Recycled Paper	Sets the media type when printing directly from the USB flash memory drive.	83
		3.Multiple Page	1in1* 2in1 4in1 9in1 16in1 25in1 1 in 2x2 pages 1 in 3x3 pages 1 in 4x4 pages 1 in 5x5 pages	Sets the page style when printing multiple pages directly from the USB flash memory drive.	83
		4.Orientation	Portrait* Landscape	Sets the page orientation when printing directly from the USB flash memory drive.	83
		5.Collate	On* Off	Enables or disables the page collation when printing directly from the USB flash memory drive.	83
		6.Print Quality	Normal* Fine	Sets the print quality option when printing directly from the USB flash memory drive.	83
		7.PDF Option	Document* Document&Markup Document&Stamps	Sets the PDF option whether to print comments (Markup) or stamps in the PDF file along with the text.	83
		8.Index Print	Simple* Details	Sets the index print option, simple format or details.	83

Main Menu	Submenu	Menu Selections	Options	Descriptions	Page	
5.USB Direct I/F (continued)	2.Scan to USB	1.Resolution	Color 150 dpi* Color 300 dpi Color 600 dpi B&W 200 dpi B&W 200x100 dpi	Sets the resolution to send the scanned data to USB flash memory drive.	See <i>Software User's Guide on the CD-ROM.</i>	
		2.File Name	—	Enter the file name of the scanned data.		
	3.PictBridge	1.Paper Size	Letter	A4* B5 A5 B6 A6	Sets the paper size when printing data from a camera with using PictBridge.	78
			2.Orientation			
		3.Date & Time	On Off*	Prints the date and time the photo is being taken on the photo.	78	
		4.File Name	On Off*	Prints the file name of the data on the photo.	78	
		5.Print Quality	Normal* Fine	Sets the print quality option when printing data from a camera using PictBridge.	78	
	6.Print Reports	1.XMIT Verify	1.View on LCD	—	Prints a Transmission Verification Report for your last transmission.	65
			2.Print Report	—		
		2.Help List	—	—	Prints the Help List so you can see at-a-glance how to quickly program your machine.	65
3.Tel Index List		1.Numeric	—	Lists name and numbers stored in the One-Touch and Speed-Dial memory, in numerical or alphabetical order.	65	
		2.Alphabetic	—			

Main Menu	Submenu	Menu Selections	Options	Descriptions	Page
6. Print Reports (continued)	4. Fax Journal	—	—	Lists information about your last 200 incoming and outgoing faxes. (TX means Transmit. RX means Receive.)	65
	5. User Settings	—	—	Lists your settings.	65
	6. Network Config	—	—	Lists your Network settings.	65
7. LAN	1. TCP/IP	1. BOOT Method	Auto* Static RARP BOOTP DHCP	Chooses the BOOT method that best suits your needs.	See Network User's Guide on the CD-ROM.
		2. IP Address	[000-255]. [000-255]. [000-255]. [000-255]	Enter the IP address.	
		3. Subnet Mask	[000-255]. [000-255]. [000-255]. [000-255]	Enter the Subnet mask.	
		4. Gateway	[000-255]. [000-255]. [000-255]. [000-255]	Enter the Gateway address.	
		5. Node Name	BRNXXXXXX	Enter the Node name.	
		6. WINS Config	Auto* Static	Chooses the WINS configuration mode.	
		7. WINS Server	(Primary) 000.000.000.000 (Secondary) 000.000.000.000	Specifies the IP address of the primary or secondary WINS server.	
		8. DNS Server	(Primary) 000.000.000.000 (Secondary) 000.000.000.000	Specifies the IP address of the primary or secondary DNS server.	
		9. APIPA	On* Off	Automatically allocates the IP address from the link local address range.	
		0. IPv6	On Off*	Sets the IPv6 protocol On.	

Main Menu	Submenu	Menu Selections	Options	Descriptions	Page
7. LAN (continued)	2. Ethernet	—	Auto* 100B-FD 100B-HD 10B-FD 10B-HD	Chooses the Ethernet link mode.	See <i>Network User's Guide on the CD-ROM</i> .
	3. Scan to FTP	—	Color 150 dpi* Color 300 dpi Color 600 dpi B&W 200 dpi B&W 200x100 dpi	Sets the resolution to send the scanned data via the FTP server.	
	0. Factory Reset	1. Reset 2. Exit	1. Yes 2. No —	Restores the network settings to the factory default.	
8. Machine Info.	1. Serial No.	—	—	You can check the serial number of your machine.	185
	2. Page Counter	—	Total Fax/List Copy Print	You can check the number of total pages the machine has printed during its life.	185
	3. Parts Life	1. Drum 2. Belt Unit 3. PF kit MP 4. PF kit 1 5. PF kit 2 6. Fuser 7. Laser	—	You can check the percentage of a machine part's life that remains available. PF kit 2 appears only when the optional LT-100CL tray is installed.	185
	4. Reset Menu	—	Drum Belt Unit PF kit MP PF kit 1 PF kit 2	Resets the machine part's life counter. Appears when you replace the machine part. PF kit 2 appears only when the optional LT-100CL tray is installed.	161 167

Main Menu	Submenu	Menu Selections	Options	Descriptions	Page
0. Initial Setup	1. Receive Mode	—	Fax Only* Fax/Tel External TAD Manual	Chooses the receive mode that best suits your needs.	39
	2. Date&Time	—	—	Puts the date and time on the LCD and in headings of faxes you send.	<i>See Quick Setup Guide.</i>
	3. Station ID	—	Fax: Tel: Name:	Sets your name and fax number to appear on each page you fax.	
	4. Tone/Pulse	—	Tone* Pulse	Chooses the dialling mode.	
	5. Dial Tone	—	Detection No Detection*	You can shorten the dial tone detect pause.	118
	6. Dial Prefix	—	On Off*	Sets a prefix number that will always be added before the fax number every time you dial.	25

Entering text

When setting certain menu selections, such as the Station ID, you will need to type text characters. The dial pad keys have letters printed on them. The keys: **0**, **#** and ***** do *not* have printed letters because they are used for special characters.

Press the appropriate dial pad key the required number of times to access the characters below:

- For setting Scan to FTP menu options

Press Key	one time	two times	three times	four times	five times	six times	seven times	eight times
1	@	.	/	1	@	.	/	1
2	a	b	c	A	B	C	2	a
3	d	e	f	D	E	F	3	d
4	g	h	i	G	H	I	4	g
5	j	k	l	J	K	L	5	j
6	m	n	o	M	N	O	6	m
7	p	q	r	s	P	Q	R	S
8	t	u	v	T	U	V	8	t
9	w	x	y	z	W	X	Y	Z

- For setting other menu selections

Press Key	one time	two times	three times	four times
2	A	B	C	2
3	D	E	F	3
4	G	H	I	4
5	J	K	L	5
6	M	N	O	6
7	P	Q	R	S
8	T	U	V	8
9	W	X	Y	Z

Inserting spaces

To enter a space in a fax number, press ► once between numbers. To enter a space in a name, press ► twice between characters.

Making corrections

If you entered a letter incorrectly and want to change it, press ◀ to move the cursor to the incorrect character, and then press **Clear/Back**.

Repeating letters

To enter a character on the same key as the previous character, press ► to move the cursor right before pressing the key again.

Special characters and symbols

Press *, # or 0, then press ◀ or ▶ to move the cursor to the symbol or character you want.

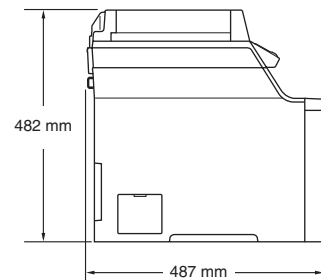
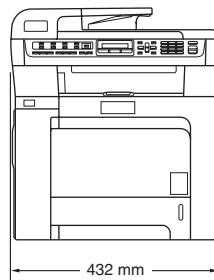
Press **OK** to choose it. The symbols and characters below will appear depending on your menu selection.

Press *	for	(space)!"#\$%&'()*+,-./€
Press #	for	:;<=>@[]^_¥~' { }
Press 0	for	ÄËÖÜÀÇÈÉ 0

General

Memory Capacity	64 MB
ADF (automatic document feeder)	Up to 35 pages (Staggered) (80 g/m ²)
	Recommended Environment for Best Results:
	Temperature: 20 to 30°C
	Humidity: 50% - 70%
	Paper: APP Blue Flagship 70g/m ² , APP Gold Flagship 80g/m ² or Advanced Agro Double A 80g/m ²
Paper Tray	250 Sheets (80 g/m ²)
Paper Tray 2 (option)	500 Sheets (80 g/m ²)
Printer Type	Laser
Print Method	Electrophotography by semiconductor laser beam scanning
LCD (liquid crystal display)	16 characters × 2 lines
Power Source	220 - 240V 50/60Hz
Power Consumption	Peak: Average 1200 W Copying: Average 495 W Sleep: Average 28 W Standby: Average 95 W

Dimensions



Weight

Without Drum/Toner Unit:	28.3 kg (MFC-9440CN)
	28.9 kg (MFC-9450CDN)

Noise level

Sound power

Operating (Copying): LWAd = 6.9 Bell

Standby: LWAd = 4.4 Bell

Sound pressure

Operating (Copying): LpAm = 54.5 dBA

Standby: LpAm = 30 dBA

Temperature

Operating: 10 to 32.5°C

Storage: 5 to 35°C

Humidity

Operating: 20 to 80% (without condensation)

Storage: 10 to 90% (without condensation)

Print media

Paper Input	<p>Paper Tray</p> <ul style="list-style-type: none"> ■ Paper Type: Plain paper or Recycled paper ■ Paper Size: Letter, A4, B5, A5, B6, A6, Executive, Legal and Folio. ■ Paper Weight: 60 to 105 g/m² ■ Maximum paper tray capacity: Up to 250 sheets of 80 g/m² plain paper <p>Multi-purpose tray (MP tray)</p> <ul style="list-style-type: none"> ■ Paper Type: Plain paper, Thick paper, Recycled paper, Bond paper, Envelopes or Labels ■ Paper Size: Width: 69.9 to 215.9 mm (2.75 to 8.5 in.) Length: 116 to 406.4 mm (4.57 to 16 in.) ■ Paper Weight: 60 to 163 g/m² ■ Maximum paper tray capacity: Up to 50 sheets of 80 g/m² plain paper Up to 3 envelopes <p>Paper Tray 2 (option)</p> <ul style="list-style-type: none"> ■ Paper Type: Plain paper or Recycled paper ■ Paper Size: Letter, A4, B5, A5, B6, Executive, Legal and Folio. ■ Paper Weight: 60 to 105 g/m² ■ Maximum paper tray capacity: Up to 500 sheets of 80 g/m² plain paper
Paper Output	Up to 150 sheets (face down print delivery to the output paper tray)
Duplex	<ul style="list-style-type: none"> ■ Paper Size: A4, Legal and Folio ■ Manual Duplex: Yes ■ Automatic Duplex: Yes (MFC-9450CDN only)

Fax

Compatibility	ITU-T Group 3
Coding System	MH/MR/MMR/JBIG/JPEG
Modem Speed	Automatic Fallback: 33,600 bps
Document Size	ADF Width: 147.3 to 215.9 mm (5.8 to 8.5 in.) ADF Height: 147.3 to 356 mm (5.8 to 14 in.) Scanner Glass Width: Max. 215.9 mm (8.5 in.) Scanner Glass Height: Max. 297 mm (11.7 in.)
Scanning Width	Max. 208 mm
Printing Width	Max. 208 mm
Grey Scale	256 levels
Polling Types	Polling Receive Type: Standard, Secure, Timer, Sequential Polling Transmit Type: Standard, Secure
Contrast Control	Automatic/Light/Dark (manual setting)
Resolution	Horizontal: 8 dot/mm Vertical ■ Standard: 3.85 line/mm (Black) 7.7 line/mm (Color) ■ Fine: 7.7 line/mm (Black) 7.7 line/mm (Color) ■ Photo: 7.7 line/mm (Black) ■ Superfine: 15.4 line/mm (Black)
One-Touch Dial	16 (8 × 2)
Speed-Dial	300 stations
Groups	Up to 20
Broadcasting	366 stations (B&W only)
Automatic Redial	3 times at 5 minute intervals
Auto Answer	0, 1, 2, 3, 4, 5, 6, 7, 8, 9 or 10 rings
Communication Source	Public switched telephone network
Memory Transmission	Up to 500 ¹ /400 ² pages
Out of Paper Reception	Up to 500 ¹ /400 ² pages

¹ 'Pages' refers to the 'Brother Standard Chart No. 1' (a typical business letter, Standard resolution, JBIG code). Specifications and printed materials are subject to change without prior notice.

² 'Pages' refers to the 'ITU-T Test Chart #1' (a typical business letter, Standard resolution, JBIG code). Specifications and printed materials are subject to change without prior notice.

Copy

Color/Monochrome	Yes/Yes
Document Size	ADF Width: 148 to 215.9 mm (5.8 to 8.5 in.) ADF Height: 148 to 355.6 mm (5.8 to 14 in.) Scanner Glass Width: Max. 215.9 mm (8.5 in.) Scanner Glass Height: Max. 297 mm (11.7 in.) Copy Width: Max. 210 mm (8.26 in.)
Multiple Copies	Stacks or Sorts up to 99 pages
Reduce/Enlarge	25% to 400% (in increments of 1%)
Resolution	Up to 1200 × 600 dpi ¹
First Copy Out Time	Approx. 21 seconds (Black) ² Approx. 23 seconds (Color) ²

¹ When making a B&W copy from the scanner glass in text quality mode at the 25 to 150% ratio.

² First copy out time may change if the machine is calibrating or registering itself.

Scan

Color/Monochrome	Yes/Yes
TWAIN Compliant	Yes (Windows® 2000 Professional/XP/ XP Professional x64 Edition/Windows Vista™) Mac OS® X 10.2.4 or greater
WIA Compliant	Yes (Windows® XP/Windows Vista™)
Color Depth	24 bit color
Resolution	Up to 19200 × 19200 dpi (interpolated) ¹ Up to 1200 × 2400 dpi (optical) ² Up to 1200 × 600 dpi (optical) ³
Document Size	ADF Width: 148.0 to 215.9 mm (5.8 to 8.5 in.) ADF Height: 148.0 to 355.6 mm (5.8 to 14 in.) Scanner Glass Width: Max. 215.9 mm (8.5 in.) Scanner Glass Height: Max. 297 mm (11.7 in.)
Scanning Width	Max. 210 mm (8.26 in.)
Greyscale	256 levels

¹ Maximum 1200 × 1200 dpi scanning with the WIA driver in Windows® XP/Windows Vista™ (resolution up to 19200 × 19200 dpi can be chosen by using the Brother scanner utility)

² When using the scanner glass

³ When using the ADF

Print

Emulations	PCL6 BR-Script (PostScript) Level 3
Printer Driver	Host-Based Driver for Windows® 2000 Professional/XP/XP Professional x64 Edition/ Windows Vista™/ Windows Server® 2003 (print only via network) BR-Script (PPD file) for Windows® 2000 Professional/XP/XP Professional x64 Edition/ Windows Vista™ Macintosh® Printer Driver for Mac OS® X 10.2.4 or greater ¹ BR-Script (PPD file) for Mac OS® X 10.2.4 or greater ¹
Resolution	600 × 600 dpi, 2400 dpi (2400 × 600 dpi)
Print Speed	Up to 20 pages/minute (A4 size) (Black) ^{2 3} Up to 20 pages/minute (A4 size) (Color) ^{2 3}
Print Speed for Duplex Printing	Up to 7 sides/minute (Black) Up to 7 sides/minute (Color)
(MFC-9450CDN Only)	
First Print Out Time	Less than 16 seconds (Black) ⁴ Less than 17 seconds (Color) ⁴

¹ For the latest driver updates, visit <http://solutions.brother.com>.

² The printing speed may change depending on the type of document you print.

³ From the standard paper tray and optional paper tray.

⁴ First print out time may change if the machine is calibrating or registering itself.

Interfaces

USB	Use a USB 2.0 interface cable that is no longer than 2.0 m (6 feet). ^{1 2}
LAN cable	Use an Ethernet UTP cable category 5 or greater.

¹ Your machine has a Hi-Speed USB 2.0 interface. The machine can also be connected to a computer that has a USB 1.1 interface.

² Third party USB ports are not supported.

PictBridge

Compatibility	Supports the Camera & Imaging Products Association PictBridge standard CIPA DC-001. Visit http://www.cipa.jp/pictbridge for more information.
Interface	USB direct interface

Direct print feature

Compatibility

PDF version 1.6¹, JPEG, Exif + JPEG, PRN (created by MFC-9440CN or MFC-9450CDN printer driver), TIFF (scanned by all Brother MFC or DCP models), PostScript®3™ (created by MFC-9440CN or MFC-9450CDN BR Script3 printer driver)

¹ The data including JBIG2 image file, JPEG2000 image file and layered files are not supported.

Computer requirements

Minimum System Requirements and Supported PC Software Functions								
Computer Platform & Operating System Version		Supported PC Software Functions	PC Interface	Processor Minimum Speed	Minimum RAM	Recommended RAM	Available Hard Disk Space	
							For Drivers	For Applications
Windows® Operating System	Windows® 2000 Professional	Printing, PC Fax ³ , Scanning	USB, Ethernet	Intel® Pentium® II or AMD equivalent	64 MB	256 MB	150 MB	310 MB
	Windows® XP Home ¹				128 MB			
	Windows® XP Professional ¹							
	Windows® XP Professional x64 Edition ¹			256 MB	512 MB			
				AMD Opteron™ AMD Athlon™ 64 Intel® Xeon® with Intel® EM64T Intel® Pentium® 4 with Intel® EM64T or AMD equivalent				
	Windows Vista™ ¹	Intel® Pentium® 4 or equivalent 64-bit supported CPU	512 MB	1 GB	500 MB	500 MB		
	Windows Server® 2003	Printing	Ethernet	Intel® Pentium® III or AMD equivalent	256 MB	512 MB	50MB	Not available
	Windows Server® 2003 x64 Edition			AMD Opteron™ AMD Athlon™ 64 Intel® Xeon® with Intel® EM64T Intel® Pentium® 4 with Intel® EM64T or AMD equivalent				
Macintosh® Operating System	Mac OS® X 10.2.4 or greater ⁴	Printing, PC Fax send ³ , Scanning	USB ² , Ethernet	PowerPC G4/G5, Intel® Core™ Solo/Duo, PowerPC G3 350MHz	128 MB	160 MB	80 MB	400 MB

¹ For WIA, 1200x1200 resolution. Brother Scanner Utility enables to enhance up to 19200 x 19200 dpi.

² Third party USB ports are not supported.

³ PC Fax supports black and white only.

⁴ For the latest driver updates, visit <http://solutions.brother.com>.

Consumable items

Toner Cartridge Life	Standard Toner Cartridges:	
	TN-170BK (Black):	Approx. 2,500 pages ¹
	TN-170C, TN-170M, TN-170Y (Cyan, Magenta, Yellow):	Approx. 1,500 pages ¹
	High-Yield Toner Cartridges:	
	TN-175BK (Black):	Approx. 5,000 pages ¹
	TN-175C, TN-175M, TN-175Y (Cyan, Magenta, Yellow):	Approx. 4,000 pages ¹
Drum Unit Life Expectancy	DR-170CL:	Approx. 17,000 pages ²
Belt Unit	BU-100CL:	Approx. 50,000 pages ²
Waste Toner Box	WT-100CL:	Approx. 20,000 pages ³

¹ When printing on Letter or A4 size paper at 5% print coverage

² When printing on Letter or A4 size paper

³ When printing on Letter or A4 size paper at 5% print coverage for CMYK each



Note

Brother does not recommend the use of consumables other than genuine Brother consumables.

Your machine warranty may not cover any damage arising from the use of non genuine Brother consumables.

Ethernet wired network

Network board model name	NC-6500h
LAN	You can connect your machine to a network for Network Printing, Network Scanning, PC Fax and Remote Setup. ^{1 2}
Support for	Windows [®] 2000 Professional, Windows [®] XP, Windows [®] XP Professional x64 Edition, Windows Vista [™] , Windows Server [®] 2003 and Windows Server [®] 2003 x64 Edition ² Mac OS [®] X 10.2.4 or greater ³
Protocols	IPv4: TCP/IP ARP, RARP, BOOTP, DHCP, APIPA (Auto IP), WINS, NetBIOS name resolution, DNS resolver, mDNS, LPR/LPD, Custom Raw Port/Port9100, IPP, IPPS, FTP server, SSL/TLS, POP before SMTP, SMTP-AUTH, Telnet, SNMPv1, HTTP/HTTPS server, TFTP client and server, SMTP client, APOP, LLTD responder, Raw Port (PC scanner), FTP client IPv6: TCP/IP (Turned off as default) NDP, RA, DNS, mDNS, LPR/LPD, Custom Raw Port/Port9100, IPP, IPPS, FTP server, SSL/TLS, POP before SMTP, SMTP-AUTH, Telnet, SNMPv1, HTTP/HTTPS server, TFTP client and server, SMTP client, APOP, LLTD responder, Raw Port (PC scanner)
Network type	Ethernet 10/100 BASE-TX Auto Negotiation (Wired LAN)
Management utilities ⁴	BRAdmin Light for Windows [®] 2000 Professional, Windows [®] XP, Windows [®] XP Professional x64 Edition, Windows Vista [™] , Windows Server [®] 2003, Windows Server [®] 2003 x64 Edition and Mac OS [®] X 10.2.4 or greater BRAdmin Professional for Windows [®] 2000 Professional, Windows [®] XP, Windows [®] XP Professional x64 Edition, Windows Vista [™] , Windows Server [®] 2003 and Windows Server [®] 2003 x64 Edition Web BRAdmin for Windows [®] 2000 Professional, Windows [®] XP, Windows [®] XP Professional x64 Edition, Windows Vista [™] , Windows Server [®] 2003 and Windows Server [®] 2003 x64 Edition Client computers with a web browser supporting Java [™] ¹

¹ PC Fax Send for Mac[®]

² Only printing for Windows Server[®] 2003

³ Mac OS[®] X 10.2.4 or greater (For the latest driver updates, visit <http://solutions.brother.com>)

⁴ BRAdmin Professional and Web BRAdmin are available as a download from <http://solutions.brother.com>

F

Glossary

This is a comprehensive list of features and terms that appear in Brother manuals. Availability of these features depends on the model you purchased.

ADF (automatic document feeder)

The document can be placed in the ADF and scanned one page at a time automatically.

Auto Reduction

Reduces the size of incoming faxes.

Automatic fax transmission

Sending a fax without picking up the handset of the external telephone or pressing **Hook**.

Automatic Redial

A feature that enables your machine to redial the last fax number after five minutes if the fax did not go through because the line was busy.

Backup Print

Your machine prints a copy of every fax that is received and stored in memory. This is a safety feature so you will not lose messages during a power failure.

Batch Transmission

As a cost saving feature, all delayed faxes to the same fax number will be sent as one transmission.

Beeper Volume

Volume setting for the beep when you press a key or make an error.

Broadcasting

The ability to send the same fax message to more than one location.

Cancel Job

Cancels a programmed print job and clears the machine's memory.

CNG tones

The special tones (beeps) sent by fax machines during automatic transmission to tell the receiving machine that a fax machine is calling.

Coding method

Method of coding the information contained in the document. All fax machines must use a minimum standard of Modified Huffman (MH). Your machine is capable of greater compression methods, Modified Read (MR), Modified Modified Read (MMR), JBIG and JPEG, if the receiving machine has the same capability.

Communication error (or Comm. Error)

An error during fax sending or receiving, usually caused by line noise or static.

Compatibility group

The ability of one fax unit to communicate with another. Compatibility is assured between ITU-T Groups.

Contrast

Setting to compensate for dark or light documents, by making faxes or copies of dark documents lighter and light documents darker.

Delayed Fax

Sends your fax at a specified later time that day.

Dual Access

Your machine can scan outgoing faxes or scheduled jobs into memory at the same time it is sending a fax or receiving or printing an incoming fax.

ECM (Error Correction Mode)

Detects errors during fax transmission and resends the pages of the fax that had an error.

Extension telephone

A telephone on the fax number that is plugged into a separate wall socket.

External telephone

A TAD (telephone answering device) or telephone that is connected to your machine.

F/T Ring Time

The length of time that the Brother machine pseudo/double-rings (when the Receive Mode setting is Fax/Tel) to notify you to pick up a voice call that it answered.

FaxAbility

A subscriber service purchased from the telephone company that provides another telephone number on an existing telephone line. The Brother fax machine uses the new number to simulate a dedicated fax line.

Fax Detect

Enables your machine to respond to CNG tones if you interrupt a fax call by answering it.

Fax Forwarding

Sends a fax received into the memory to another pre-programmed fax number.

Fax Journal

Lists information about the last 200 incoming and outgoing faxes. TX means Transmit. RX means Receive.

Fax Receive Code

Press this code (***51**) when you answer a fax call on an extension or external telephone.

Fax Storage

You can store faxes in the memory.

Fax tones

The signals sent by sending and receiving fax machines while communicating information.

Fax/Tel

You can receive faxes and telephone calls. Do not use this mode if you are using a telephone answering device (TAD).

Fine resolution

Resolution is 203 × 196 dpi. It is used for small print and graphs.

Grey scale

The shades of grey available for copying and faxing photographs.

Group number

A combination of One-Touch and Speed-Dial numbers that are stored on a One-Touch key or in a Speed-Dial location for Broadcasting.

Help list

A printout of the complete Menu table that you can use to program your machine when you do not have the User's Guide with you.

Journal Period

The pre-programmed time period between automatically printed Fax Journal Reports. You can print the Fax Journal on demand without interrupting the cycle.

LCD (liquid crystal display)

The display screen on the machine that shows interactive messages during On-Screen Programming and shows the date and time when the machine is idle.

Manual fax

When you lift the handset of your external telephone or press **Hook** so you can hear the receiving fax machine answer before you press **Mono Start** or **Color Start** to begin transmission.

Menu mode

Programming mode for changing your machine's settings.

OCR (optical character recognition)

The bundled Presto![®] PageManager[®] software application converts an image of text to text you can edit.

One-Touch

Keys on the machine's control panel where you can store numbers for easy dialling. You can store a second number on each key if you press **Shift** and the One-Touch key together.

Out of Paper Reception

Receives faxes into the machine's memory when the machine is out of paper.

Overseas Mode

Makes temporary changes to the fax tones to accommodate noise and static on overseas telephone lines.

Pause

Allows you to place a 3.5 second delay in the dialling sequence stored on One-Touch keys and Speed-Dial numbers. Press **Redial/Pause** as many times as needed for longer pauses.

PictBridge

Allows you to print photos directly from your PictBridge compatible digital camera at high resolution for photo quality printing.

Polling

The process of a fax machine calling another fax machine to retrieve waiting fax messages.

Pulse

A form of rotary dialling on a telephone line.

Quick Dial List

A listing of names and numbers stored in One-Touch and Speed-Dial memory, in numerical order.

Real Time Transmission

When memory is full, you can send faxes in real time.

Remaining jobs

You can check which programmed fax jobs are waiting in the memory and cancel the jobs individually.

Remote Access Code

Your own four-digit code (— — —*) that allows you to call and access your machine from a remote location.

Remote Retrieval Access

The ability to access your machine remotely from a touch tone telephone.

Resolution

The number of vertical and horizontal lines per inch.

Ring Delay

The number of rings before the machine answers in **Fax Only** and **Fax/Tel** modes.

Ring Volume

Volume setting for the machine's ring.

Scanning

The process of sending an electronic image of a paper document into your computer.

Search

An electronic, alphabetical listing of stored One-Touch, Speed-Dial and Group numbers.

Speed-Dial

A pre-programmed number for easy dialling. You must press **Search/Speed Dial**, then enter the three-digit Speed-Dial location and press **Mono Start** or **Color Start** to begin the dialling process.

Station ID

The stored information that appears on the top of faxed pages. It includes the sender's name and fax number.

TAD (telephone answering device)

You can connect an external TAD to your machine.

Temporary settings

You can select certain options for each fax transmission and copy without changing the default settings.

Tone

A form of dialling on the telephone line used for Touch Tone telephones.

Transmission

The process of sending faxes over the telephone lines from your machine to the receiving fax machine.

User Settings List

A printed report that shows the current settings of the machine.

Xmit Report (Transmission Verification Report)

A listing for each transmission, that shows its date, time and number.

G

Index

- A**
- ADF (automatic document feeder) 30
 - using 18
 - Answering machine (TAD)
 - connecting 44
 - Apple® Macintosh®
 - See Software User's Guide on the CD-ROM.
 - Automatic
 - fax receive 40
 - easy receive 41
 - Fax Detect 41
 - fax redial 49
 - fax send 30
- B**
- Belt unit 167
 - Broadcasting 31
 - cancelling 32
 - setting up groups for 52
- C**
- Cancelling
 - broadcast in process 32
 - fax jobs in memory 37
 - jobs awaiting redial 37
 - print jobs 7
 - remote fax options 56
 - Cleaning
 - corona wire 142
 - drum unit 145
 - laser scanner window 138
 - scanner glass 137
 - Combining quick-dial numbers 53
 - Connecting
 - external TAD (answering machine) 44
 - external telephone 45
 - Control panel overview 2
 - ControlCenter2 (for Macintosh®)
 - See Software User's Guide on the CD-ROM.
 - ControlCenter3 (for Windows®)
 - See Software User's Guide on the CD-ROM
- Copy**
- brightness 72
 - color adjust 73
 - contrast 68, 72
 - Enlarge/Reduce key 69
 - enter copy mode 68
 - keys 69
 - multiple 68
 - N in 1 (page layout) 73
 - Options key 69, 70
 - out of memory 75
 - quality 71
 - single 68
 - sort (ADF only) 71
 - temporary settings 69
 - tray selection 74
 - using ADF 18, 68, 71, 74
 - using scanner glass 19, 73, 74
- Cordless telephone** 46
- Cover page**
- custom comments 33
 - for all faxes 34
 - for next fax only 33
 - printed form 34
- D**
- Data LED 6
 - Delayed batch transmission 37
 - Dial tone detection 118
 - Dialling
 - a pause 50
 - automatic fax redial 49
 - groups (broadcasting) 31
 - manual 48
 - one-touch 48
 - speed-dial 48
 - Direct print 82, 83
 - Direct key 7
 - specification 210
 - Document
 - how to load
 - ADF 18
 - scanner glass 19
 - Drum unit
 - checking (remaining life) 185
 - cleaning 142, 145

replacing	160
Dual access	35
Duplex (2-sided)	
troubleshooting	134

E

Enlarge/Reduce key	69
Envelopes	10, 12, 15, 17
Equalization	118
Error messages on LCD	
Change Belt Unit	167
Comm. Error	120
Drum End Soon	160
Init Unable XX	121
No Paper	121
Not Registered	48
Out of Memory	122
Print Unable XX	122
Scan Unable XX	123
Toner Life End	155
Toner Low	155
Waste Toner Soon	172
Extension telephone, using	45, 46
External telephone, connecting	45

F

Fax codes	
changing	47, 56
fax receive code	45, 46
remote access code	56
telephone answer code	45, 46
Fax forwarding	
changing remotely	58, 59
programming a number	54
Fax storage	54
printing from memory	43
turning off	56
turning on	54
Fax, stand-alone	
receiving	39
at end of conversation	40
easy receive	41
fax forwarding	59
fax receive stamp	43
from extension telephone	45, 46
polling receive	60
reducing to fit on paper	42
retrieving from a remote site	57

ring delay, setting	41
sequential polling	61
telephone line interference	118
sending	20, 30
broadcasting	31
canceling from memory	37
contrast	34
delayed batch	37
delayed fax	37
enter Fax mode	35
from ADF	30
from memory (dual access)	35
from scanner glass	30
manual	37
overseas	36
polled transmit	62
real time transmission	36
resolution	35
telephone line interference	118
Fax/Tel mode	
answering at extension telephones	45, 46
easy receive	41
F/T ring time (double-ring)	41
fax receive code	45, 46
receiving faxes	46
ring delay	41
telephone answer code	45, 46
Folio	10, 21

G

G

Greyscale	206, 208
Groups for broadcasting	52

H

HELP	65
Help List	65
LCD messages	186
Menu Table	186, 188
using menu keys	186
Hook key	7, 46

J

Jams	
document	125
paper	125
Job Cancel key	7

L

Labels	10, 14, 17
LCD (liquid crystal display)	6, 186
contrast	24
Help List	65

M

Machine information	
checking remaining life of parts	185
page counters	185
status LED	8
Macintosh®	
See Software User's Guide on the CD-ROM.	
Maintenance, routine	136
checking the remaining life of parts	185
replacing	
belt unit	167
drum unit	160
toner cartridge	155
Manual	
dialing	48
receive	39
transmission	37
Memory	
adding DIMM (option)	98
installing	99
storage	186
Menu Table	186, 188
using menu keys	186
Mode timer	20
Mode, entering	
copy	68
fax	30, 35
scan	7
Multi-line connections (PABX)	45

N

N in 1 (page layout)	73
Network	
faxing	
See Software User's Guide on the CD-ROM	
printing	
See Network User's Guide on the CD-ROM	

scanning	
See Software User's Guide on the CD-ROM	

O

One-touch	
changing	51
setting up	50
using	48
Options	97
Out of Memory message	
.....	38, 75, 81, 84, 122

P

Packing and shipping the machine	177
Page layout (N in 1)	73
Paging	
programming your pager number	54
Paper	9, 205
how to load	15
jam	126
size	9, 21
size of document	18, 207, 208
type	9, 20
PC Fax	
See Software User's Guide on the CD-ROM	
PC fax receive	55
PictBridge	
DPOF printing	80
specification	209
Polling	
polled transmit	62
polling receive	60
sequential polling	61
Power failure	186
Print	
difficulties	100
drivers	209
fax from memory	43
Job Cancel key	7, 103
keys	7
paper jams	126
quality	107
reports	65
resolution	209
Secure key	7
specifications	209

Printing	
See Software User's Guide on the CD-ROM	
Programming your machine	186

Q

Quality (copying)	69
Quick-dial	50
broadcasting	
using groups	31
group dial	
changing	51
setting up groups for broadcasting	52
one-touch dial	
changing	51
setting up	50
using	48
search	49
speed-dial	
changing	51
setting up	51
using	48

R

Redial/Pause key	50
Reducing	
copies	69
incoming faxes	42
Remote retrieval	56
access code	56, 57
commands	59
getting your faxes	57
Remote setup	
See Software User's Guide on the CD-ROM	
Replacing	
belt unit	167
drum unit	160, 161
toner cartridge	155
waste toner box	172
Reports	60, 64
Fax Journal	65
journal period	64
Help List	65
how to print	65
Network Configuration	65
Quick-Dial List	65
Transmission Verification	64

User Settings	65
Resolution	
copy	207
fax (standard, fine, superfine, photo)	35, 206
print	209
scan	208
setting for next fax	35
Resolution key	35
Ring delay, setting	41

S

Scanner glass, using	19
Scanning	
See Software User's Guide on the CD-ROM	
Search/Speed Dial key	48, 49, 52
Secure key	7
Security	
memory security	27
Setting lock	26
Serial number	
how to find....See inside front cover	
Shipping the machine	177
Sleep time	24
Socket	
EXT	
external telephone	46
TAD (answering machine)	44
Sort	71
Speed-dial	
changing	51
setting up	51
using	48

T

TAD (telephone answering device), external	39
connecting	44
recording OGM	45
Telephone line	
connections	44
difficulties	100
multi-line (PABX)	45
Temporary copy settings	69
Text, entering	201
Tone or pulse	53
Toner cartridge, replacing	155

Toner save	24
Tray selection	74
Tray use, setting	
copy	21
fax	22
print	22
Troubleshooting	100
document jam	125
if you are having difficulty	
copy quality	102
incoming calls	101
network	104
paper handling	103
print quality	104, 107
printing	100, 102
scanning	103
software	103
telephone line	118
paper jam	126

U

USB flash memory drive	82
------------------------------	----

V

Volume, setting	
beeper	23
ring	23
speaker	23

W

Waste toner box	172
-----------------------	-----

brother[®]

This machine is approved for use in the country of purchase only, local Brother companies or their dealers will only support machines purchased in their own countries.