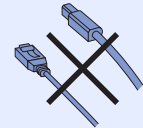


Before you can use the printer, read this Quick Setup Guide for the correct setup and installation.
To view the Quick Setup Guide in other languages, please visit <http://solutions.brother.com/>.

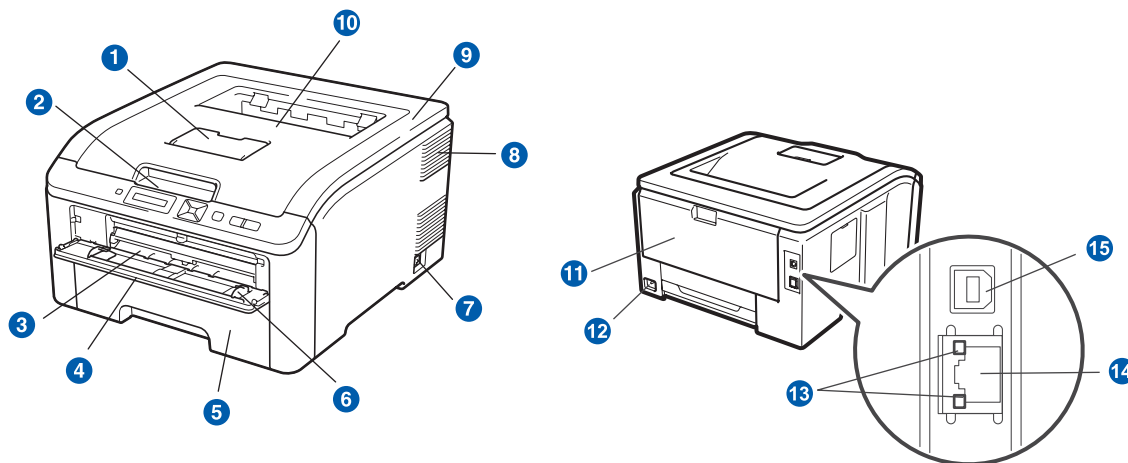
! IMPORTANT

DO NOT connect the interface cable yet.


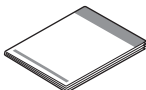
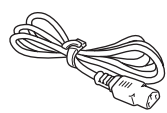
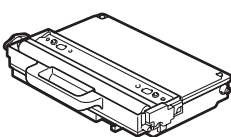
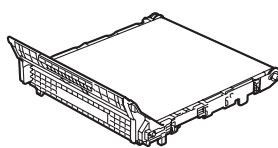
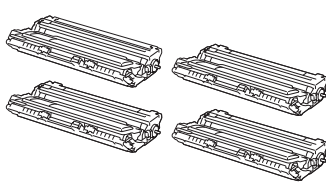


1

Unpack the printer and check the components

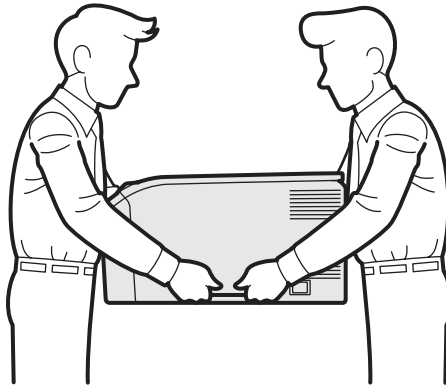


- ① Face-down Output Tray Support Flap (Support Flap)
- ② Control Panel
- ③ Manual Feed Slot
- ④ Manual Feed Slot Cover
- ⑤ Paper Tray
- ⑥ Manual Feed Paper Guide
- ⑦ Power Switch
- ⑧ Ventilation Hole
- ⑨ Top Cover
- ⑩ Face-down Output Tray
- ⑪ Back Cover (Back Output Tray)
- ⑫ AC Power Connector
- ⑬ Network Status LEDs (Light Emitting Diodes)
- ⑭ 10/100BASE-TX (Ethernet) port
- ⑮ USB Interface Connector

 CD-ROM (including User's Guide and Network User's Guide)	 Quick Setup Guide	 AC Power Cord
 Waste Toner Box (pre-installed)	 Belt Unit (pre-installed)	 Drum Unit and Toner Cartridge Assemblies (Black, Cyan, Magenta and Yellow)

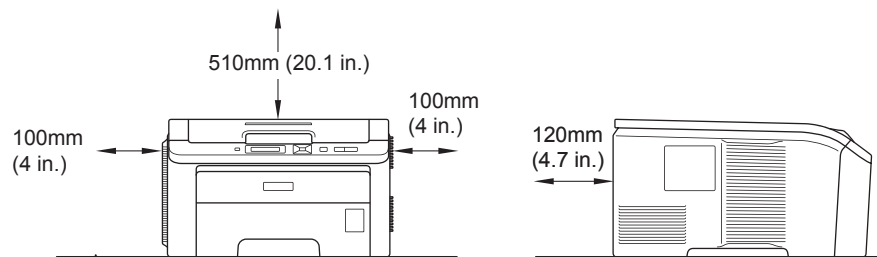
WARNING

- Plastic bags are used in the packaging of your printer. To avoid danger of suffocation, please keep these bags away from babies and children.
- This printer is heavy and weighs approximately 41.9 lb. (19.0 kg). To prevent injuries use at least two people to lift the printer. Be careful not to pinch your fingers when you put the printer back down.



Note

Keep the printer a gap roughly as shown in the illustration.



Note

The interface cable is not a standard accessory. Buy the appropriate interface cable for the interface you want to use (USB or Network).








USB cable

- Please make sure you use a USB 2.0 (Type A/B) interface cable that is no longer than 6 feet (2 meters).
- When you use a USB cable, make sure you connect it to the USB port of your computer and not to a USB port on a keyboard or non-powered USB hub.

Network cable

Use a straight-through Category5 (or greater) twisted-pair cable for 10BASE-T or 100BASE-TX Fast Ethernet Network.

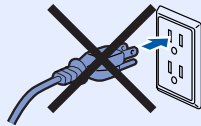
Symbols used in this guide

 WARNING	WARNINGS tell you what to do to prevent possible personal injury.
 CAUTION	CAUTIONS specify procedures you must follow or avoid to prevent possible minor injuries.
 IMPORTANT	IMPORTANT specify procedures you must follow or avoid to prevent possible damage to the printer or other objects.
	Electrical Hazard icons alert you to a possible electrical shock.
	Hot Surface icons warn you not to touch printer parts that are hot.
 Note	Notes tell you how you should respond to a situation that may arise or give tips about how the current operation works with other features.
 User's Guide Network User's Guide	Indicates reference to the User's Guide or Network User's Guide which is on the CD-ROM we have supplied.

2 Remove the packing material from the printer

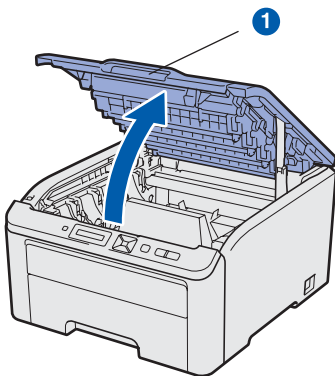
! IMPORTANT

- Save all packing material and the carton in case you have to ship your printer.
- DO NOT plug in the AC power cord yet.

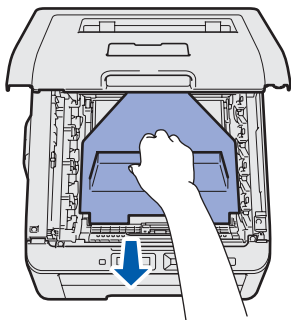


a Remove the packing tape from the outside of the printer.

b Open the top cover by lifting up on the handle 1.

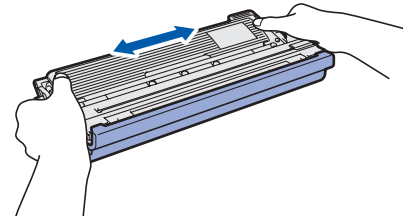


c Remove the packing material from the inside of the printer.

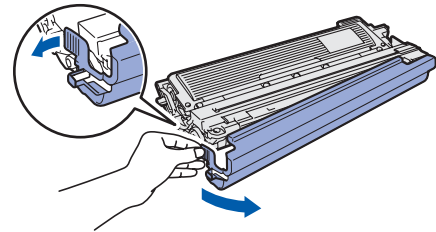


3 Install the drum unit and toner cartridge assemblies

a Unpack the four drum unit and toner cartridge assemblies and gently shake each of them from side to side several times to distribute the toner evenly inside the assembly.

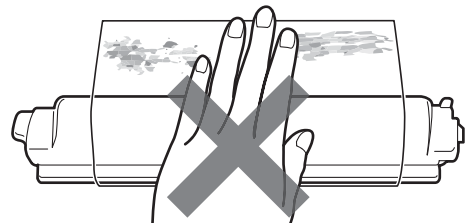


b Remove the protective cover by pulling on the tab as shown in the illustration.

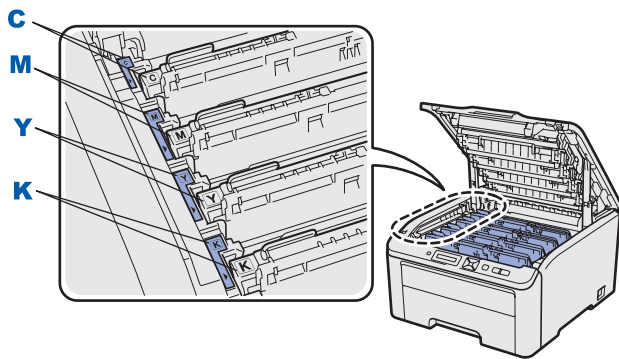
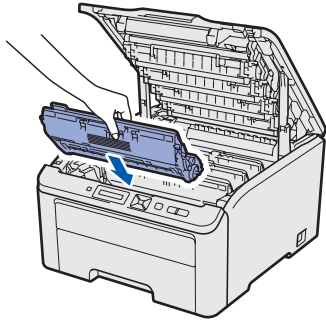


Note

Do not touch the surface of the packing film. It may contain toner powder which can stain your skin and clothing.



- c** Slide all four of the drum unit and toner cartridge assemblies into the printer as shown in the illustration. Make sure that you match the toner cartridge color to the same color label on the printer.



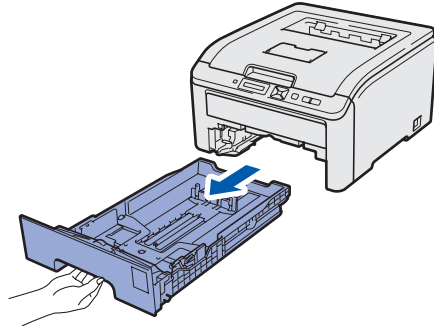
C - Cyan
M - Magenta

Y - Yellow
K - Black

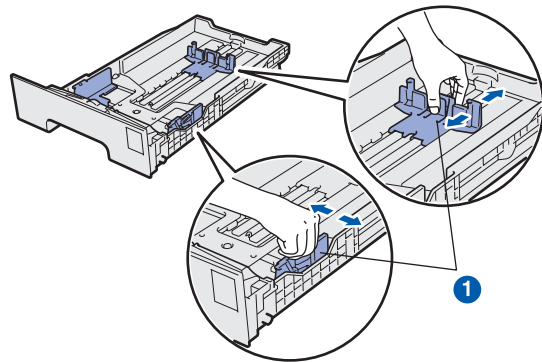
- d** Close the top cover of the printer.

4 Load paper in the paper tray

- a** Pull the paper tray completely out of the printer.

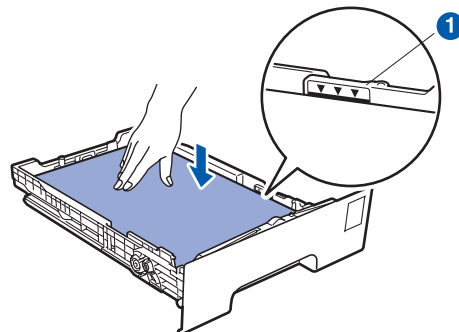


- b** While pressing the green paper-guide release lever 1, slide the paper guides to fit the paper size you are loading in the tray. Make sure that the guides are firmly in the slots.



- c** Fan the stack of paper well to avoid paper jams and misfeeds.

- d** Put paper in the tray, and make sure that the paper is below the maximum paper mark 1. The side to be printed on must be face down.



! IMPORTANT

Make sure the paper guides touch the sides of the paper so it will feed properly.

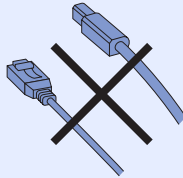
- e** Put the paper tray firmly back in the printer. Make sure that it is completely inserted into the printer.

5

Print a test page

IMPORTANT

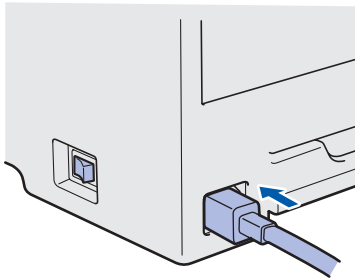
DO NOT connect the interface cable yet.



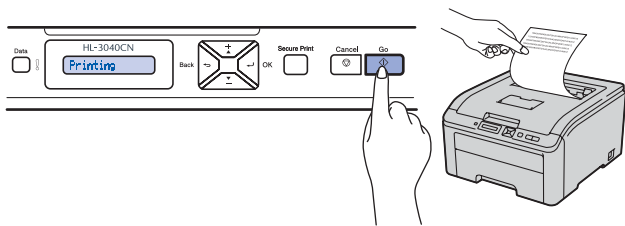
- a** Make sure that the printer power switch is off.



- b** Connect the AC power cord to the printer.



- c** Plug the AC power cord into an AC power outlet. Turn on the printer power switch.
- d** After the printer has finished warming up, the LCD will show *Ready*.
- e** Press **Go**. The printer prints a test page. Check that the test page has printed correctly.



Note

This function will not be available after the first print job you send from your computer.

6

Set your language on the control panel

- a** Press **+** or **-** to choose *General Setup*. Press **OK**.

General Setup

- b** Press **OK** again.

Local Language

- c** Press **+** or **-** to choose your language. Press **OK** to accept.

English

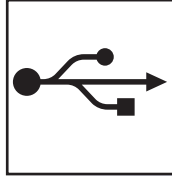
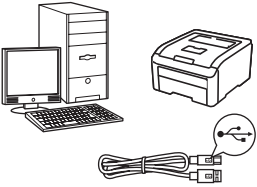
- d** Press **Cancel** to exit from Menu.

Now go to

Go to the next page to install the printer driver.

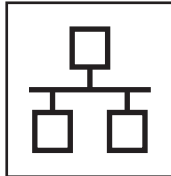
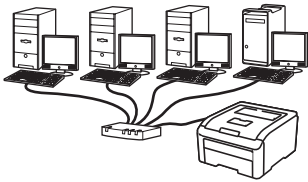
7

Choose your connection type



For USB interface cable

Windows[®], go to page 8
Macintosh, go to page 10



For Wired Network

Windows[®], go to page 11
Macintosh, go to page 15

USB

Windows[®]
Macintosh

Wired Network

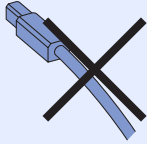
Windows[®]
Macintosh




For USB Interface Cable Users

8 Install the printer driver and connect the printer to your computer

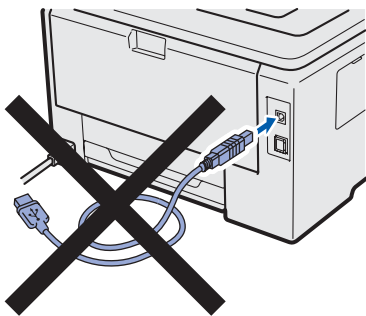
IMPORTANT
DO NOT connect the USB interface cable yet.



Note
If the **Found New Hardware Wizard** appears on your computer, click **Cancel**.



- a** Turn off the printer power switch.
- b** Make sure the USB interface cable is **NOT** connected to the printer, and then begin installing the printer driver. If you have already connected the cable, remove it.



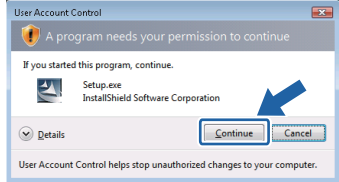
- c** Turn on your computer. (You must be logged on with Administrator rights.)
- d** Put the supplied CD-ROM into your CD-ROM drive. The opening screen will appear automatically. Choose your printer model and the language.

- e** Click **Install Printer Driver** on the menu screen.



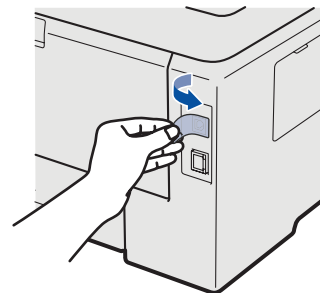
- f** Click **USB cable users**.


Note
For Windows Vista®, when the **User Account Control** screen appears, click **Continue**.

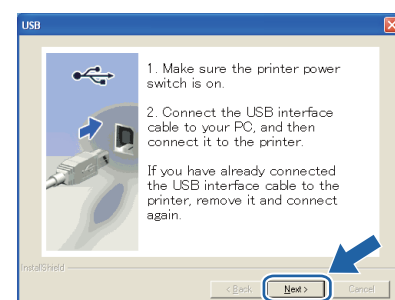


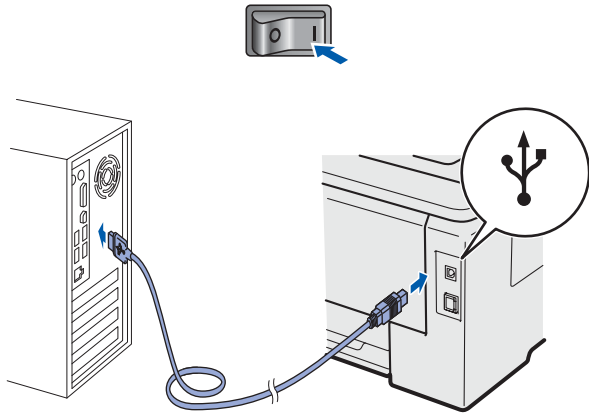
- g** When the **License Agreement** window appears, click **Yes** if you agree to the License Agreement.

- h** Remove the label covering the USB interface connector.



- i** When this screen appears, make sure the printer power switch is on. Connect the USB cable to the USB connector marked with the  symbol, and then connect the cable to the computer. Click **Next**.





j Click **Finish**.

Note

- If you want to register your product on-line, check **On-Line Registration**.
- If you do not want to set your printer as Default printer, uncheck **Set as Default Printer**.
- If you want to disable the Status Monitor, uncheck **Enable Status Monitor**.

Finish

The installation is now complete.

Note

XML Paper Specification Printer Driver

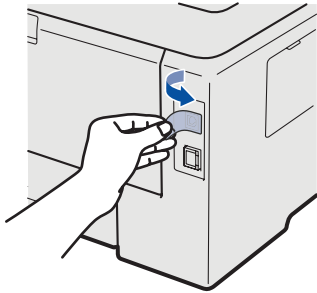
The XML Paper Specification Printer Driver is the most suitable driver when printing from the applications that use the XML Paper Specification documents. Please download the latest driver by accessing the Brother Solutions Center at <http://solutions.brother.com/>.




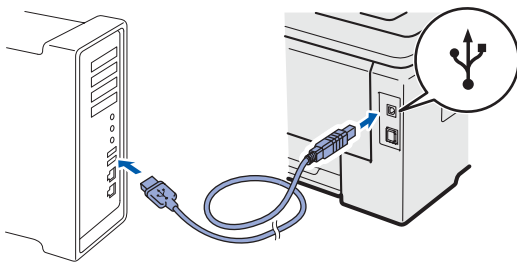
For USB Interface Cable Users

8 Connect the printer to your Macintosh and install the driver

a Remove the label covering the USB interface connector.



b Connect the USB cable to the USB connector marked with a  symbol, and then connect the cable to your Macintosh.



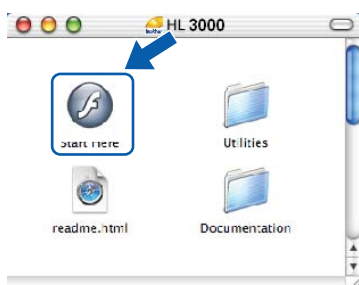
! IMPORTANT

- **DO NOT** connect the printer to a USB port on a keyboard or a non-powered USB hub.
- **Connect the printer directly to your computer.**

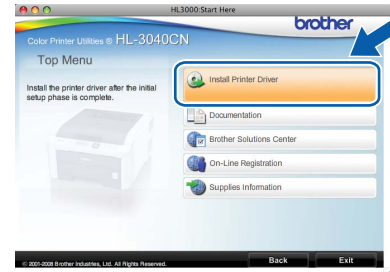
c Make sure the printer power switch is on.

d Turn on your Macintosh. Put the supplied CD-ROM into your CD-ROM drive.

e Double-click the **HL3000** icon on your desktop. Double-click the **Start Here** icon. Follow the on-screen instructions.

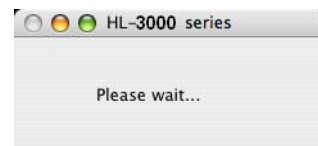


f Click **Install Printer Driver** on the menu screen.

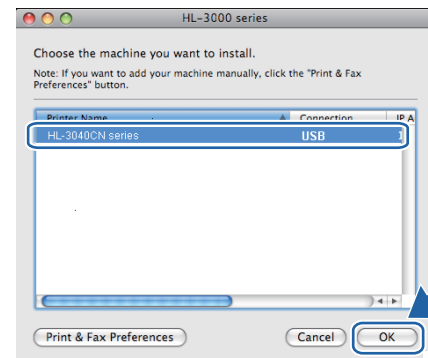


g Click **USB cable users** and follow the on-screen instructions. Then, restart your Macintosh.

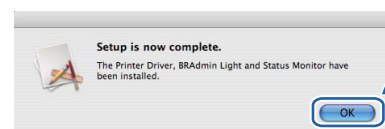
h The Brother software will search for the Brother printer. During this time the following screen will appear.



i Choose the printer you wish to connect, and then click **OK**.

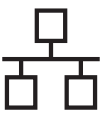


j When this screen appears, click **OK**.



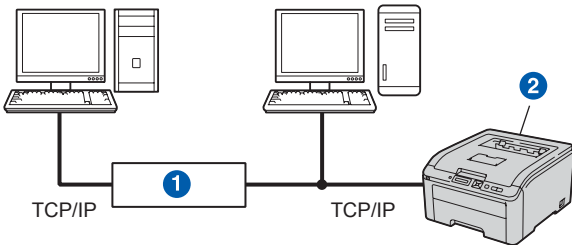
Finish

The installation is now complete.



For Wired Network Interface Cable Users

8 For Peer-to-Peer network printer users




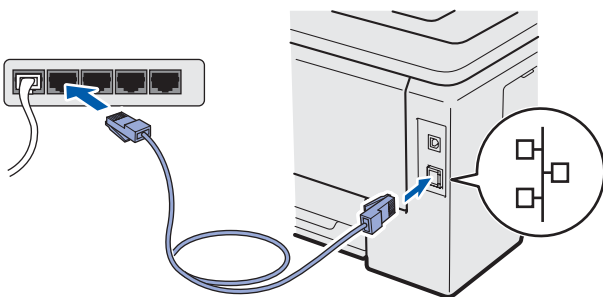
- 1 Router
- 2 Network printer

Note

- If you are going to connect the printer to your network, we recommend that you contact your system administrator prior to installation or see the Network User's Guide on the CD-ROM.
- If you are using Windows® Firewall or a firewall function of anti-spyware or antivirus applications, temporarily disable them. Once you are sure that you can print, configure the software settings following the instructions.

Connect the printer to your network and install the driver

- a Connect the network interface cable to the LAN connector marked with a  symbol and then connect it to a free port on your hub.



- b Make sure the printer power switch is on.
- c Turn on your computer. (You must be logged on with Administrator rights.)
- d Put the supplied CD-ROM into your CD-ROM drive. The opening screen will appear automatically. Choose your printer model and the language.

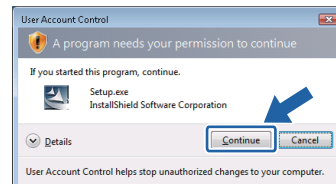
- e Click **Install Printer Driver** on the menu screen.



- f Click **Network cable users**.

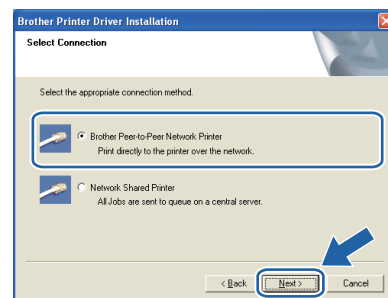
Note

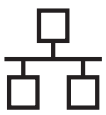
For Windows Vista®, when the **User Account Control** screen appears, click **Continue**.



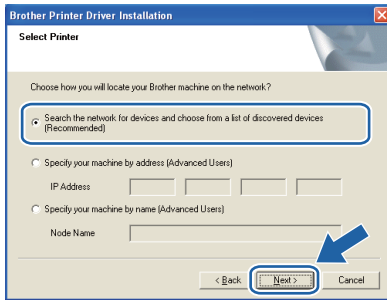
- g When the **License Agreement** window appears, click **Yes** if you agree to the License Agreement.

- h Choose **Brother Peer-to-Peer Network Printer**, and then click **Next**.





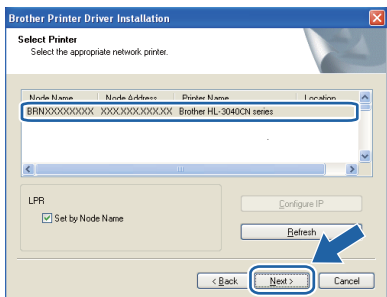
- i** Choose **Search the network for devices and choose from a list of discovered devices (Recommended)**. Or enter your printer's IP Address or its node name. Click **Next**.



Note

You can find your printer's IP Address and the node name by printing out the **Printer Settings Page**.

- j** Choose your printer, and then click **Next**.



Note

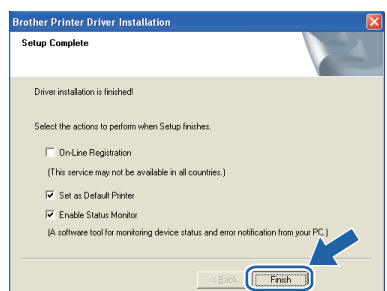
If your printer takes a long time (about 1 minute) to appear on the list, click **Refresh**.

- k** Click **Finish**.



Note

- If you want to register your product on-line, check **On-Line Registration**.
- If you do not want to set your printer as Default printer, uncheck **Set as Default Printer**.
- If you want to disable the Status Monitor, uncheck **Enable Status Monitor**.
- If you disable your Personal Firewall software (e.g. Windows® Firewall), turn it back on.



The installation is now complete.



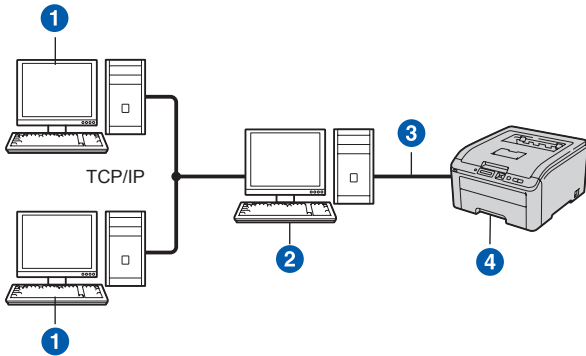
Note

XML Paper Specification Printer Driver

The XML Paper Specification Printer Driver is the most suitable driver when printing from the applications that use the XML Paper Specification documents. Please download the latest driver by accessing the Brother Solutions Center at <http://solutions.brother.com/>.



8 For shared network printer users



- 1 Client computer
- 2 Also known as "Server" or "Print server"
- 3 TCP/IP or USB
- 4 Printer

Note

If you are going to connect to a shared printer on your network, we recommend that you ask your system administrator about the queue or share name for the printer prior to installation.

Install the driver and choose the correct printer queue or share name

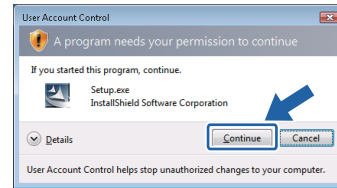
- a Turn on your computer. (You must be logged on with Administrator rights.)
- b Put the supplied CD-ROM into your CD-ROM drive. The opening screen will appear automatically. Choose your printer model and the language.
- c Click **Install Printer Driver** on the menu screen.



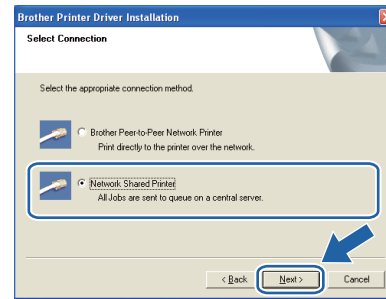
- d Click **Network cable users**.

Note

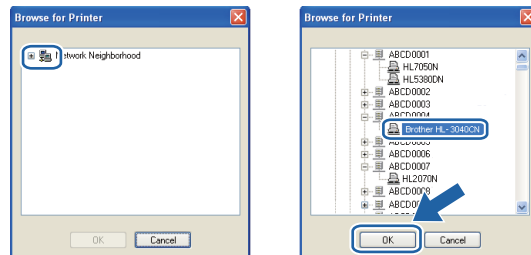
*For Windows Vista®, when the **User Account Control** screen appears, click **Continue**.*



- e When the **License Agreement** window appears, click **Yes** if you agree to the License Agreement.
- f Choose **Network Shared Printer**, and then click **Next**.



- g Choose your printer's queue, and then click **OK**.



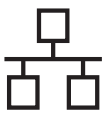
Note

Contact your administrator if you do not know the location or the name of the printer in the network.

- h Click **Finish**.

Note

- If you want to register your product on-line, check **On-Line Registration**.
- If you do not want to set your printer as Default printer, uncheck **Set as Default Printer**.
- If you want to disable the Status Monitor, uncheck **Enable Status Monitor**.



Finish

The installation is now complete.

Note


XML Paper Specification Printer Driver

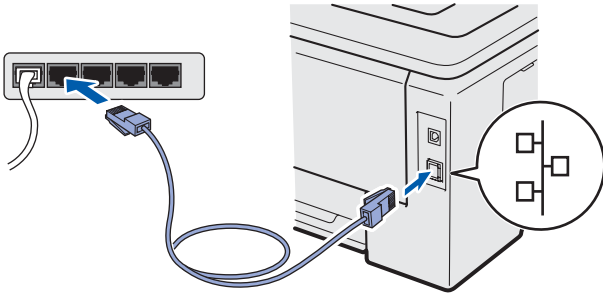
The XML Paper Specification Printer Driver is the most suitable driver when printing from the applications that use the XML Paper Specification documents. Please download the latest driver by accessing the Brother Solutions Center at <http://solutions.brother.com/>.



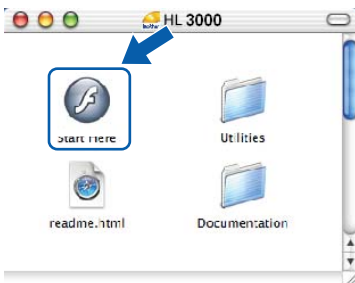
For Wired Network Interface Cable Users

8 Connect the printer to your Macintosh and install the driver

a Connect the network interface cable to the LAN connector marked with a  symbol and then connect it to a free port on your hub.



- b** Make sure the printer power switch is on.
- c** Turn on your Macintosh. Put the supplied CD-ROM into your CD-ROM drive.
- d** Double-click the **HL3000** icon on your desktop. Double-click the **Start Here** icon. Follow the on-screen instructions.

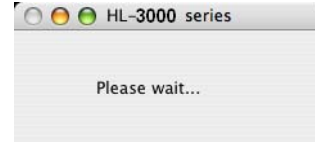


e Click **Install Printer Driver** on the menu screen.

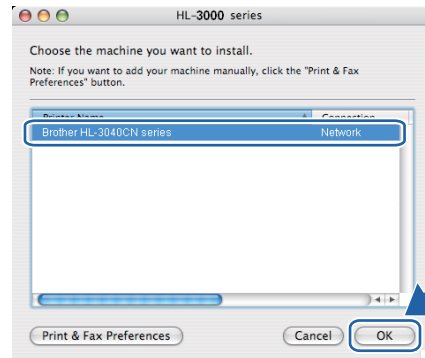


f Click **Network cable users** and follow the on-screen instructions. Then, restart your Macintosh.

g The Brother software will search for the Brother printer. During this time the following screen will appear.



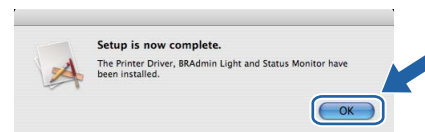
h Choose the printer you wish to connect, and then click **OK**.



Note

- If there is more than one of the same printer model connected on your network, the MAC Address (Ethernet Address) will be displayed after the model name. You can also confirm your IP Address by scrolling to the right.
- You can find your printer's MAC Address (Ethernet Address) and IP Address by printing out the Printer Settings Page.

i When this screen appears, click **OK**.



Finish

The installation is now complete.

Safety precautions

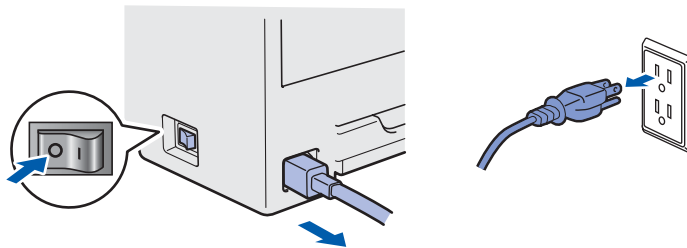
To use the printer safely

If you DO NOT follow these safety instructions, there is a possibility of a fire, electrical shock, burn or suffocation. Please keep these instructions for later reference and read them before attempting any maintenance.

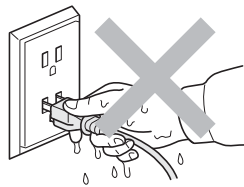
WARNING



There are high voltage electrodes inside the printer. Before you clean the inside of the printer, make sure that you have turned off the power switch and unplugged the printer from the AC power outlet.



DO NOT handle the plug with wet hands. Doing this might cause an electrical shock.



Always make sure the plug is fully inserted.

Plastic bags are used in the packaging. To avoid danger of suffocation, keep these bags away from babies and children.

DO NOT use flammable substances, any type of spray or any organic solvent/liquids containing alcohol or ammonia to clean the inside or outside of the printer. Doing this may cause a fire or electrical shock. Refer to *Chapter 6 of the User's Guide* for how to clean the printer.



DO NOT use a vacuum cleaner to clean up scattered toner. Doing this might cause the toner dust to ignite inside the vacuum cleaner, potentially starting a fire. Carefully clean the toner dust with a dry, lint-free cloth and dispose of it according to local regulations.

Cleaning the outside of the printer:

- Make sure that you have unplugged the printer from the AC power outlet.
- Use neutral detergents. Cleaning with volatile liquids such as thinner or benzene will damage the outside surface of the printer.
- DO NOT use cleaning materials that contain ammonia.

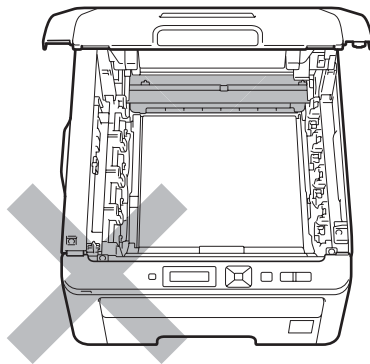
Other Information

CAUTION

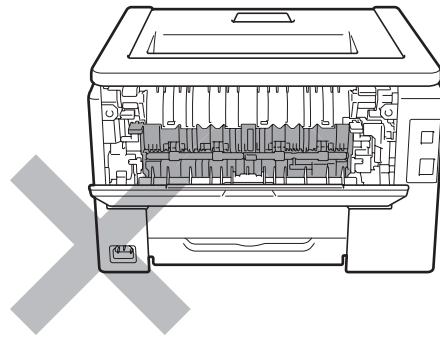
Lightning and power surges can damage this product! We recommend that you use a quality surge protection device on the AC power outlet, or unplug the cords during a lightning storm.



After you have just used the printer, some internal parts of the printer will be extremely hot. When you open the top or back cover (back output tray) of the printer, **DO NOT** touch the shaded parts shown in the illustration.



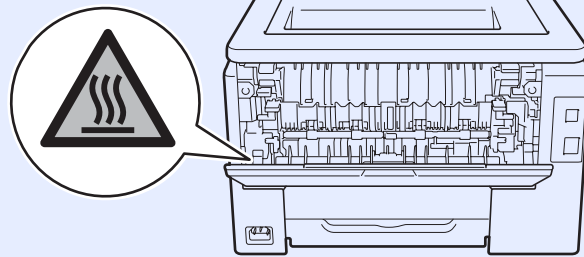
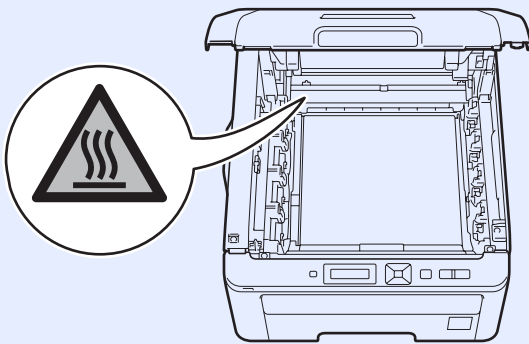
Inside the printer
(Front View)



Inside the printer
(Back View)

IMPORTANT

DO NOT remove or damage the caution labels located on or around the fuser.



Regulations

EC Declaration of Conformity

EC Declaration of Conformity

Manufacturer
Brother Industries Ltd.
15-1, Naeshirocho, Mizuho-ku, Nagoya 467-8561 Japan

Plant
Brother Technology (ShenZhen) Ltd.,
NO6 Gold Garden Ind. Nanling Buij, Longgang, Shenzhen, China

Herewith declare that:

Product description : Color Printer
Product Name : HL-3040CN
Model Number : HL-30C

is in conformity with provisions of the Directives applied : Low Voltage Directive 2006/95/EC and the Electromagnetic Compatibility Directive 2004/108/EC.

Harmonized standards applied :

Safety	EN60950-1:2006
EMC	EN55022:2006 Class B EN55024:1998 + A1:2001 + A2:2003 EN61000-3-2:2006 EN61000-3-3:1995 + A1:2001 + A2:2005

Year in which CE marking was first affixed : 2008

Issued by : Brother Industries, Ltd.

Date : 10th September, 2008

Place : Nagoya, Japan

Signature :

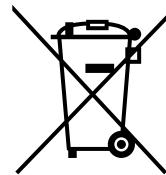
Junji Shiota
General Manager
Quality Management Dept.

International ENERGY STAR® Compliance Statement

The purpose of the International ENERGY STAR® Program is to promote the development and popularization of energy-efficient office equipment. As an ENERGY STAR® Partner, Brother Industries, Ltd. has determined that this product meets the ENERGY STAR® guidelines for energy efficiency.



EU Directive 2002/96/EC and EN50419



European
Union only

This equipment is marked with the above recycling symbol. It means that at the end of the life of the equipment you must dispose of it separately at an appropriate collection point and not place it in the normal domestic unsorted waste stream. This will benefit the environment for all. (European Union only)

IMPORTANT - For Your Safety

To ensure safe operation, the supplied three-pin plug must be inserted only into a standard three-pin power outlet that is properly grounded through the normal household wiring.

Extension cords used with this printer must be three-pin plug type and correctly wired to provide proper grounding. Incorrectly wired extension cords may cause personal injury and equipment damage.

The fact that the equipment operates satisfactorily does not imply that the power is grounded and that the installation is completely safe. For your safety, if in any doubt about the effective grounding of the power, call a qualified electrician.

This product should be connected to an AC power source within the range indicated on the rating label. DO NOT connect it to a DC power source. If you are not sure, contact a qualified electrician.

Disconnect device

This product must be installed near an AC power outlet that is easily accessible. In case of emergencies, you must disconnect the power cord from the AC power outlet to shut off power completely.

LAN connection



DO NOT connect this product to a LAN connection that is subject to over-voltages.

Shipment of the printer

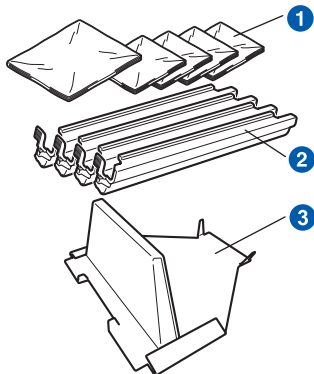
If for any reason you must ship your printer, carefully package the printer to avoid any damage during transit. We recommend that you save and use the original packaging. The printer should also be adequately insured with the carrier.

⚠ CAUTION

When shipping the printer, the DRUM UNIT, TONER CARTRIDGE assemblies and WASTE TONER BOX must be removed from the printer and put in a plastic bag. Failure to remove these items and put them in a plastic bag before shipping may cause severe damage to the printer and may VOID THE WARRANTY.

Repacking Instructions

Make sure that you have the following parts for repacking.

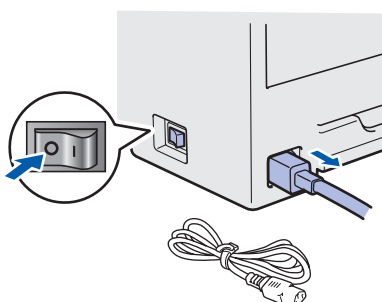


- ① Plastic bags - to be supplied by you, the user; one for the waste toner box, and one each for the four drum and toner cartridge assemblies
- ② Protective covers that the original drum and toner cartridge assembly came with
- ③ Packing material for locking the belt unit

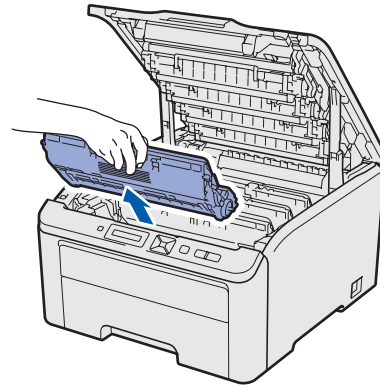
⚠ WARNING

This printer is heavy and weights approximately 41.9 lb. (19.0 kg). To prevent injuries use at least two people to lift the printer. Be careful not to pinch your fingers when you put the printer back down.

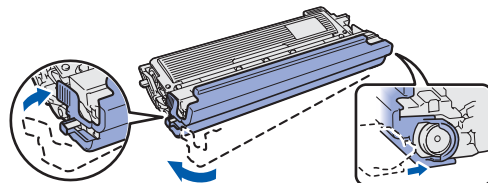
- a Turn off the printer power switch, and then unplug the AC power cord.



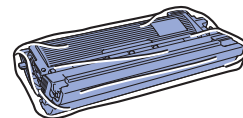
- b Open the top cover and take out all the drum unit and toner cartridge assemblies.



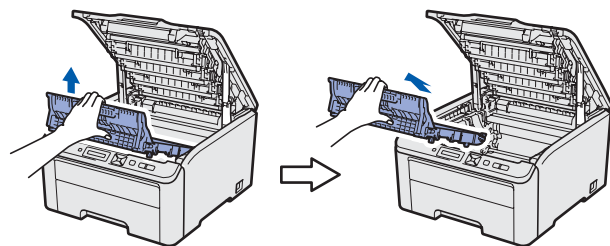
Attach the protective cover to each of the drum unit and toner cartridge assemblies.



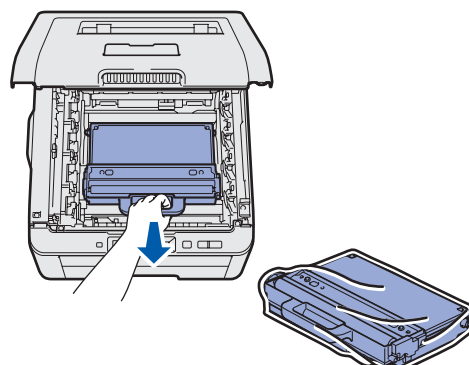
Put each assembly into a plastic bag and completely seal each bag.



- c Remove the belt unit by holding the green handle and lifting the belt unit up and out of the printer.

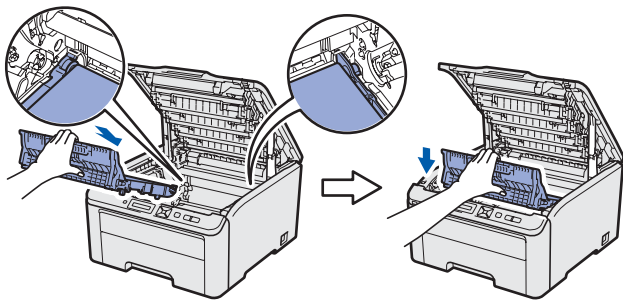


- d Remove the waste toner box from the printer, and then put it in a plastic bag and seal the bag completely.

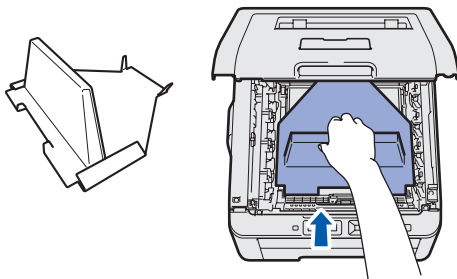


Other Information

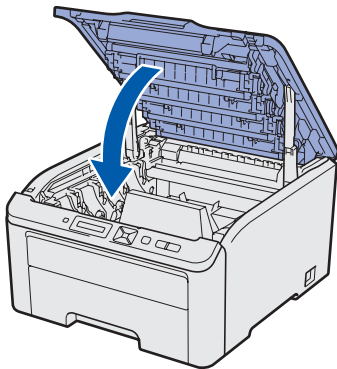
- e** Reinstall the belt unit back in the printer.



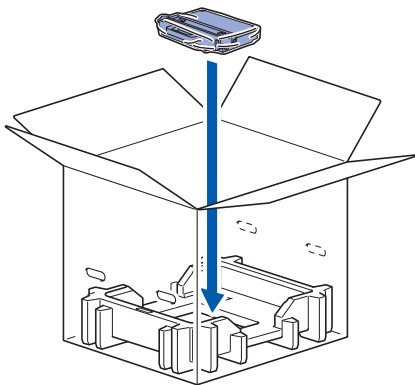
- f** Reinstall the original packing material into the printer.



- g** Close the top cover of the printer.

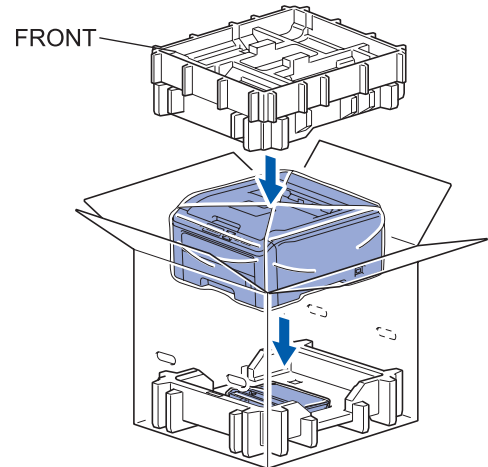


- h** Put the waste toner box in the Styrofoam piece.

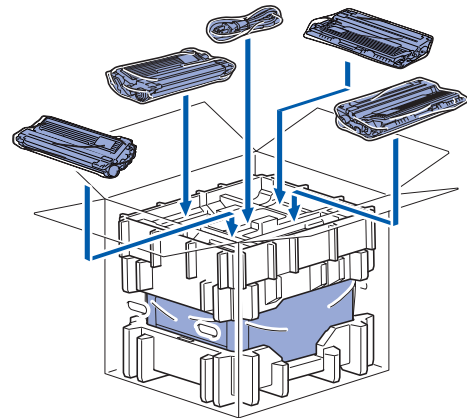


- i** Using two people, place the printer into the plastic bag.

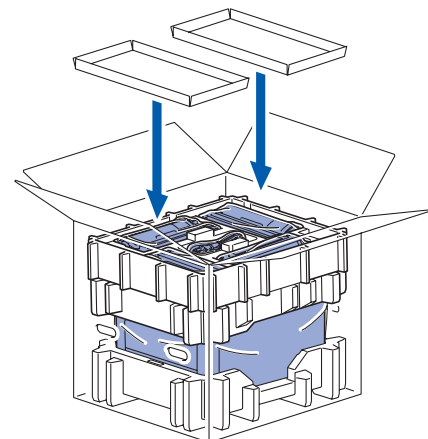
- j** Put the printer and the Styrofoam pieces into the carton. Match the front side of the printer to the "FRONT" mark on the Styrofoam pieces. Put the Styrofoam piece for the drum unit and toner cartridge assemblies on the top of the printer.



- k** Put the power cord, drum unit and toner cartridge assemblies into the Styrofoam piece as shown in the illustration.



- l** Put the two carton trays on the top.



- m** Close the carton and tape it shut.


Supplied CD-ROM


You can find a variety of information on the CD-ROM.

Windows®




 **Install Printer Driver**
Install the printer driver.


 **Install Other Drivers or Utilities**
Install optional drivers, utilities and Network management tools.

 **Documentation**
View the Printer User's Guide and Network User's Guide in HTML format.
You can also view the manuals in PDF format by accessing the Brother Solutions Center.
The User's Guide and Network User's Guide in HTML format will be installed automatically when you install the driver. Click **Start, All Programs**¹, your printer, and then **User's Guide in HTML format**. If you do not want to install the User's Guide, choose **Custom setup** from **Install Printer Driver**, and uncheck **User's Guides in HTML format** when you install the driver.

¹ Programs for Windows® 2000 users

 **Brother Solutions Center**
The Brother Solutions Center (<http://solutions.brother.com/>) is a one-stop resource for all your printer support needs. Download the latest drivers and utilities for your printer, read FAQs and troubleshooting tips, or learn about printer solutions.

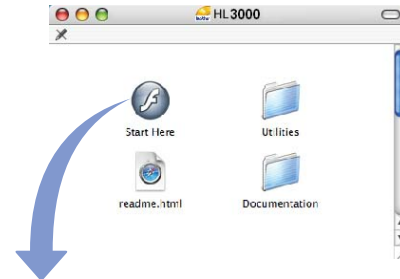
 **On-Line Registration**
Register your product on-line.

 **Supplies Information**
Visit our web site for original/genuine Brother supplies at <http://www.brother.com/original/>.


Note


For visually impaired users, we have prepared an HTML file on the supplied CD-ROM: readme.html. This file can be read by Screen Reader 'text-to-speech' software.

Macintosh




 **Install Printer Driver**
Install the printer driver.

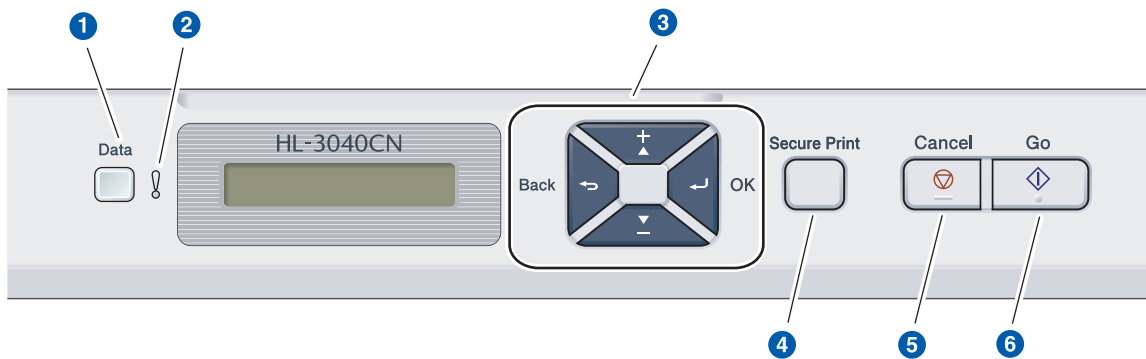
 **Documentation**
View the Printer User's Guide in HTML format.
You can also view the User's Guide in PDF format by accessing the Brother Solutions Center.

 **Brother Solutions Center**
The Brother Solutions Center (<http://solutions.brother.com/>) is a one-stop resource for all your printer support needs. Download the latest drivers and utilities for your printer, read FAQs and troubleshooting tips, or learn about printer solutions.

 **On-Line Registration**
Register your product on-line.

 **Supplies Information**
Visit our web site for original/genuine Brother supplies at <http://www.brother.com/original/>.

Control panel



1 Data LED

On: Data is in the printer memory.
Blinking: Receiving / processing data.
Off: No remaining data in the memory.

2 Error LED

Blinking: There is a problem with the printer.
(Refer to the User's Guide for trouble shooting.)
Off: There is no problem with the printer.

3 Menu buttons

+: Scroll forward through menus and the available options.
-: Scroll backward through menus and the available options.
OK: Choose the control panel menu. Set the chosen menu and settings.
Back: Go back one level in the menu structure.

4 Secure Print button

Prints data saved in memory when you enter your four-digit password.

5 Cancel button

Stops and Cancels the printer operation in progress.

6 Go button

Pause and continue printing / Error recovery / Reprint




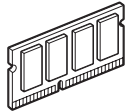
For the details of the control panel, see chapter 3 of the User's Guide on the CD-ROM.

Options and Consumables

Option

The printer has the following optional accessory. You can expand the capabilities of the printer by adding this item. For more information about the compatible SO-DIMM Memory, visit us at <http://solutions.brother.com/>.

 For installing the SO-DIMM Memory, see Chapter 4 of the User's Guide on the CD-ROM.

SO-DIMM Memory
You can expand the memory by installing a (144-pin SO-DIMM) memory module.


Consumables

Please prepare a new consumable item for replacement when the following messages appear on the LCD.

Toner Low

Drums End Soon

Belt End Soon

WT Box End Soon

When the time comes to replace consumable items, the following messages will appear on the LCD.

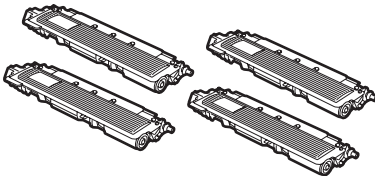
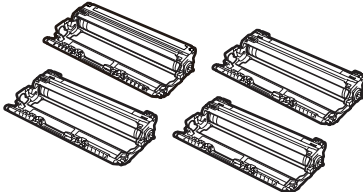
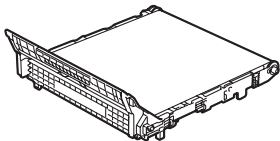
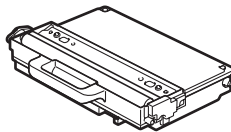
Replace Toner


Replace Drums

Replace Belt

Replace WT Box

When the time comes to replace consumable items, an error will be indicated by the LCD on the control panel. For more information about the consumables for your printer, visit us at <http://www.brother.com/original/> or contact your local Brother reseller.

Toner cartridges	Drum units
	
Belt Unit (BU-200CL)	Waste Toner Box (WT-200CL)
	

 For replacing the consumable items, see Chapter 5 of the User's Guide on the CD-ROM.

Trademarks

Brother and the Brother logo are registered trademarks and BRAdmin Light and BRAdmin Professional are trademarks of Brother Industries, Ltd.

Microsoft, Windows, Windows Server and Internet Explorer are registered trademarks of Microsoft Corporation in the United States and/or other countries.

Windows Vista is either a registered trademark or a trademark of Microsoft Corporation in the United States and/or other countries.

Apple, Macintosh and Safari are trademarks of Apple Inc., registered in the United States and other countries.

Each company whose software title is mentioned in this manual has a Software License Agreement specific to its proprietary programs.

All other trademarks are the property of their respective owners.

Compilation and Publication

Under the supervision of Brother Industries Ltd., this manual has been compiled and published, covering the latest product descriptions and specifications.

The contents of this manual and the specifications of this product are subject to change without notice.

Brother reserves the right to make changes without notice in the specifications and materials contained herein and shall not be responsible for any damages (including consequential) caused by reliance on the materials presented, including but not limited to typographical and other errors relating to the publication.

This product is designed for use in a professional environment.

Copyright and License

© 2009 Brother Industries, Ltd.

© 1983-1998 PACIFIC SOFTWARES INC.

This product includes the "KASAGO TCP/IP" software developed by ELMIC WESCOM, INC.

© 2009 Devicescape Software, Inc.

This product includes RSA BSAFE Cryptographic software from RSA Security Inc.

Portions Copyright for ICC profiles 2003 by European Color Initiative, www.eci.org. ALL RIGHTS RESERVED.