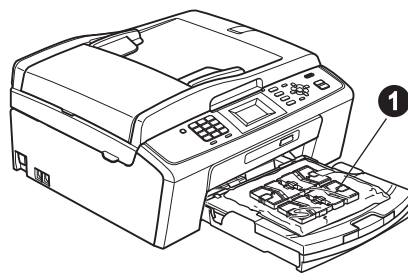


Before you can use the machine, please read this Quick Setup Guide for the correct setup and installation.

⚠ WARNING	WARNING indicates a potentially hazardous situation which, if not avoided, could result in death or serious injuries.
⚠ CAUTION	CAUTION indicates a potentially hazardous situation which, if not avoided, may result in minor or moderate injuries.

1 Unpack the machine and check the components



⚠ WARNING

Plastic bags are used in the packaging of your machine. To avoid danger of suffocation, please keep these bags away from babies and children.

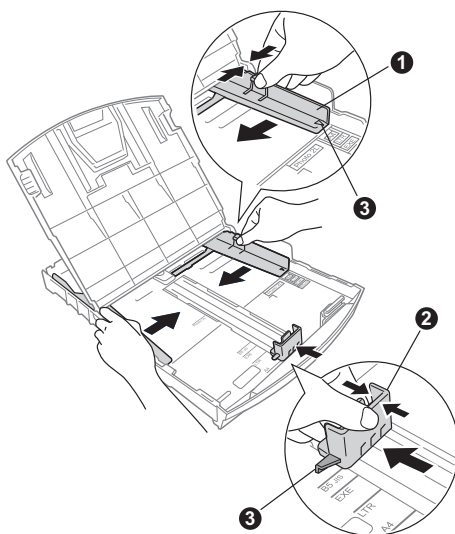
■ Most of the illustrations in this Quick Setup Guide show the MFC-J410.

- a** Remove the protective tape and film covering the machine, and also from the LCD.
- b** Remove the plastic bag **1** containing the ink cartridges from on top of the paper tray.

2 Load plain A4 paper

- a** Pull the paper tray completely out of the machine.
- b** Lift the output paper tray cover.
- c** With both hands, gently press and slide the paper side guides **1** and then the paper length guide **2** to fit the paper size.

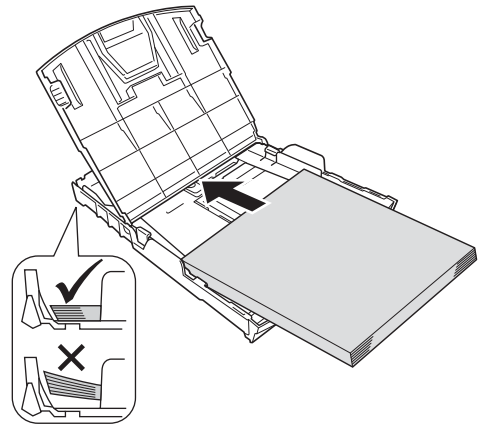
Make sure that the triangular marks **3** on the paper side guides **1** and paper length guide **2** line up with the mark for the paper size you are using.



- d** Fan the stack of paper well to avoid paper jams and misfeeds.
- e** Check that the paper is flat in the tray.

! IMPORTANT

DO NOT push the paper in too far.



- f** Gently adjust the paper side guides to the paper with both hands.
- g** Close the output paper tray cover.
- h** *Slowly* push the paper tray completely into the machine.
- i** While holding the paper tray in place, pull out the paper support until it clicks, and then unfold the paper support flap.

3 Connect the power cord and telephone line

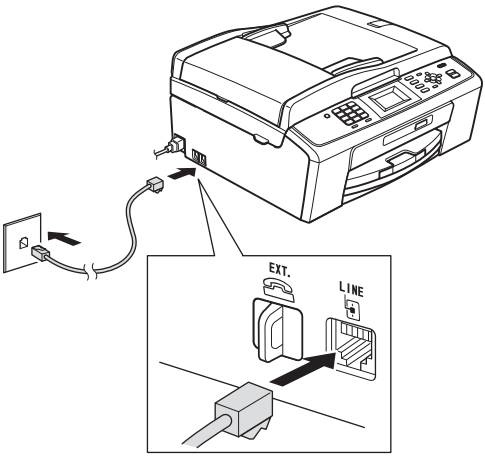
! IMPORTANT
DO NOT connect the USB cable yet.

a Connect the power cord.

! WARNING

The machine must be fitted with an earthed plug.

b



! WARNING

Since the machine is grounded through the power outlet, you can protect yourself from potentially hazardous electrical conditions on the telephone network by keeping the power cord connected to your machine when you connect it to a telephone line. Similarly, you can protect yourself when you want to move your machine by disconnecting the telephone line first and then the power cord.

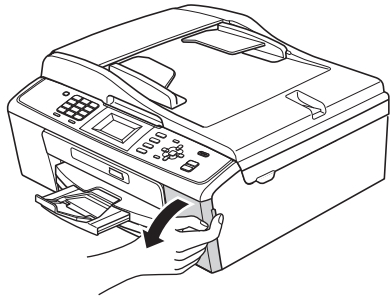
! IMPORTANT
The telephone line cord **MUST** be connected to the socket on the machine marked **LINE**.

4 Install the ink cartridges

! CAUTION

If ink gets in your eyes, wash them out with water at once, and if irritation occurs consult a doctor.

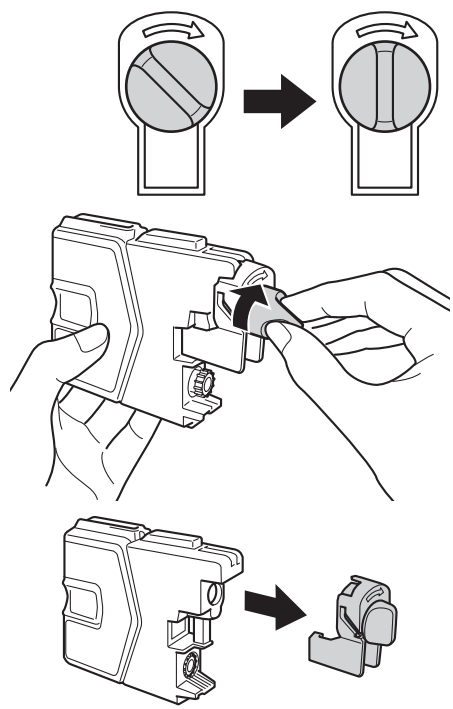
- a** Make sure that the power is turned on.
- b** Open the ink cartridge cover.



- c** Remove the green protective part.
- d** Unpack the ink cartridge.

Note
Make sure you install the *Inbox Ink Cartridges* included with your machine first.

e



- f** Take care to match the colour of the lever with the cartridge colour.
- g** Install each ink cartridge in the direction of the arrow on the label.
- h** Gently push the ink cartridge until it clicks. After all the ink cartridges are installed close the ink cartridge cover.

5 Check the print quality

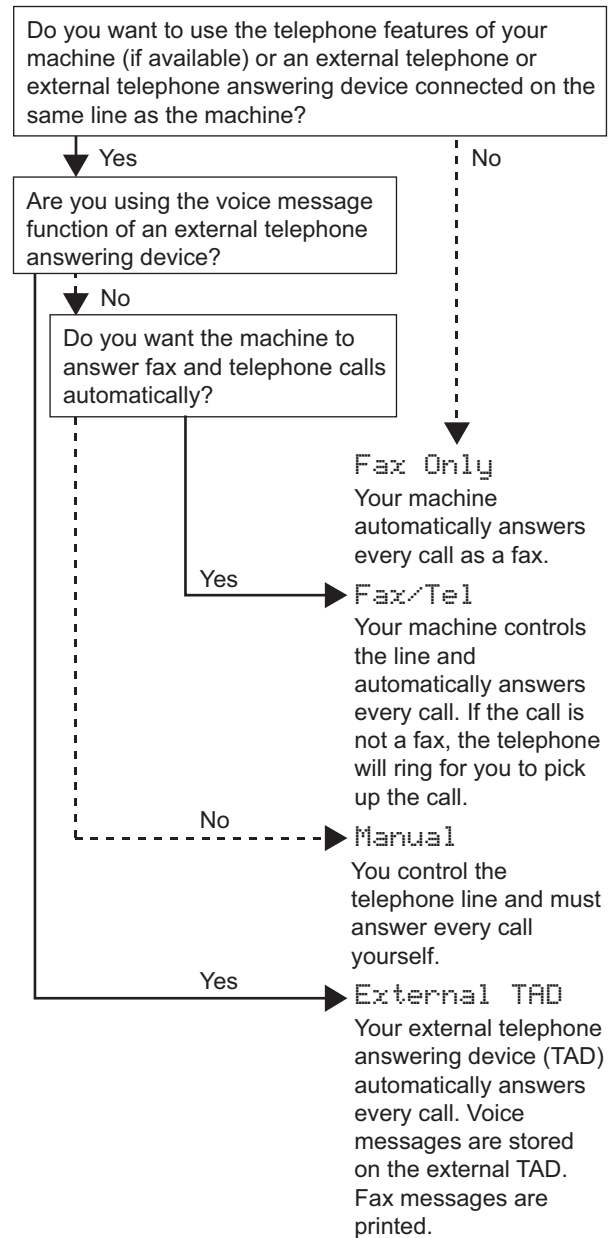
- a** When the preparation process has finished, the LCD shows `Set Paper` and `Press Start`. Press **Colour Start**.
- b** Check the quality of the four colour blocks on the sheet. (black/yellow/cyan/magenta)
- c** If all lines are clear and visible, press **1** (Yes) on the dial pad to finish the quality check and go to step **6**.
If you can see missing short lines, press **2** (No) on the dial pad and follow the steps on the LCD.

6 Choose your language

- a** Press **Menu**.
- b** Press **▲** or **▼** to select `Initial Setup`. Press **OK**.
- c** Press **▲** or **▼** to select `Local Language`. Press **OK**.
- d** Press **▲** or **▼** to select your language. Press **OK**.
- e** Press **Stop/Exit**.

7 Choose a Receive Mode

There are four possible receive modes: `Fax Only`, `Fax/Tel`, `Manual` and `External TAD`.



- a** Press **Menu**.
- b** Press **▲** or **▼** to choose `Initial Setup`. Press **OK**.
- c** Press **▲** or **▼** to choose `Receive Mode`. Press **OK**.
- d** Press **▲** or **▼** to choose the receive mode. Press **OK**.
- e** Press **Stop/Exit**.

8 Set the date and time

- a** Press **Menu**.
- b** Press **▲** or **▼** to choose `Initial Setup`. Press **OK**.
- c** Press **▲** or **▼** to choose `Date&Time`. Press **OK**.
- d** Enter the last two digits of the year on the dial pad, and then press **OK**.
- e** Repeat for month/day/time in 24-hour format.
- f** Press **Stop/Exit**.

9 Enter personal information (Station ID)

You should store your name and fax number to be printed on all fax pages that you send.

- a** Press **Menu**.
- b** Press **▲** or **▼** to choose `Initial Setup`. Press **OK**.
- c** Press **▲** or **▼** to choose `Station ID`. Press **OK**.
- d** Enter your fax number (up to 20 digits) on the dial pad, and then press **OK**. To enter a "+" for international codes, press *.
- e** Enter your name (up to 20 characters) using the dial pad, and then press **OK**.
- f** Press **Stop/Exit**.

Note

If you make a mistake and want to start again, press **Stop/Exit** and go back to **a**.

10 Set Tone or Pulse dialing mode

- a** Press **Menu**.
- b** Press **▲** or **▼** to choose `Initial Setup`. Press **OK**.
- c** Press **▲** or **▼** to choose `Tone/Pulse`. Press **OK**.
- d** Press **▲** or **▼** to choose `Pulse (or Tone)`. Press **OK**.
- e** Press **Stop/Exit**.

11 Set the telephone line type

- a** Press **Menu**.
- b** Press **▲** or **▼** to choose `Initial Setup`. Press **OK**.
- c** Press **▲** or **▼** to choose `Phone Line Set`. Press **OK**.
- d** Press **▲** or **▼** to choose `Normal, PBX or ISDN`. Press **OK**.
- e** Press **Stop/Exit**.

12 Set the phone line compatibility

If you are connecting the machine to a VoIP service (over the Internet) you need to change the compatibility setting.



Note

If you are using an analogue telephone line you can skip this step.

- a** Press **Menu**.
- b** Press **▲** or **▼** to choose **Initial Setup**. Press **OK**.
- c** Press **▲** or **▼** to choose **Compatibility**. Press **OK**.
- d** Press **▲** or **▼** to choose **Basic (for VoIP)**. Press **OK**.
- e** Press **Stop/Exit**.

For Windows® Users:

Now go to

Page 7

For Macintosh Users:

Now go to

Page 9



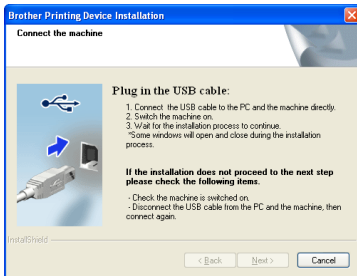
For USB interface users (Windows® 2000 Professional/XP/XP Professional x64 Edition/ Windows Vista®/Windows® 7)

13 Before you install

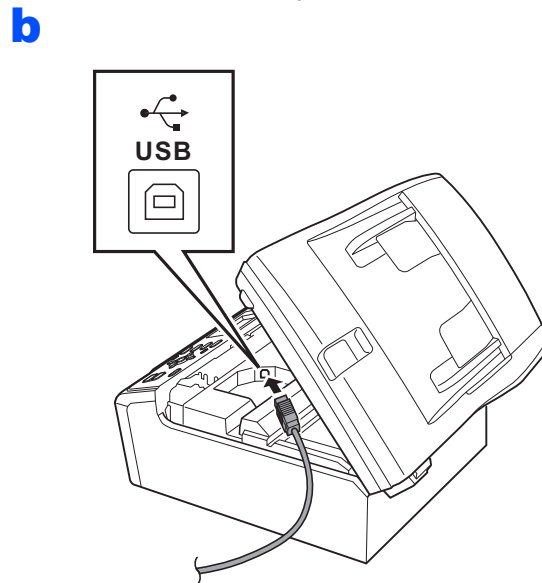
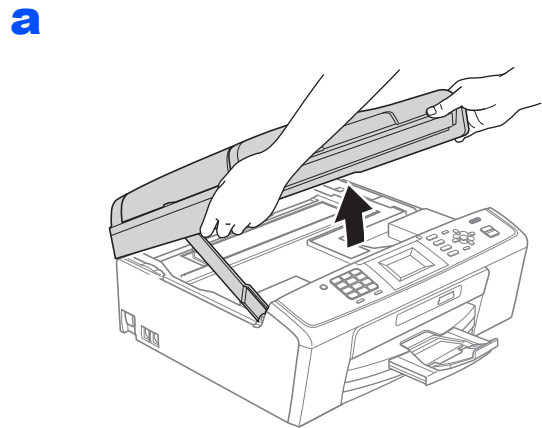
- a Make sure that your computer is ON and you are logged on with Administrator rights.

14 Install MFL-Pro Suite

- a Put the supplied installation CD-ROM into your CD-ROM drive. Follow the on-screen instructions.
- b The CD-ROM Top Menu will appear. Click **Install MFL-Pro Suite** and click **Yes** if you accept the license agreements. Follow the on-screen instructions.
- c Choose **Standard**, and then click **Next**. The installation continues.
- d When this screen appears, go to the next step.

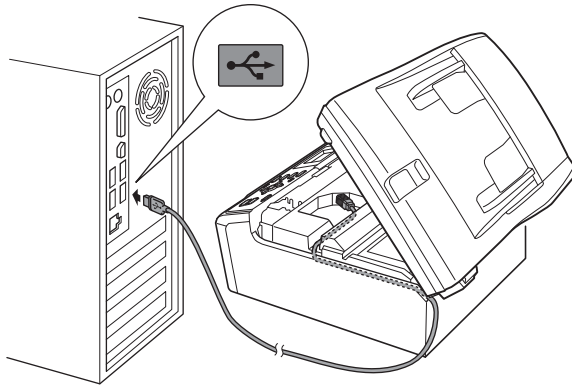


15 Connect the USB cable





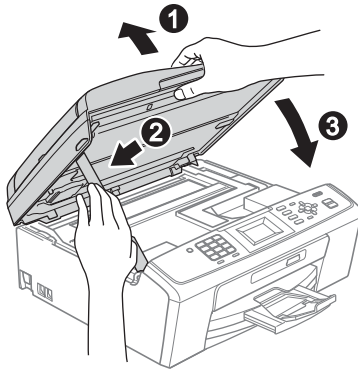
c



! IMPORTANT

Make sure that the cable does not restrict the cover from closing, or an error may occur.

d



e The installation will continue automatically. The installation screens appear one after another.

! IMPORTANT

DO NOT cancel any of the screens during the installation. It may take a few seconds for all screens to appear.

f When the **User's Guides** screen is displayed, click **View Manuals on the Web** if you want to download the manuals and follow the on-screen instructions. You can also view the manuals on the documentation CD-ROM.

g When the **On-Line Registration** screen is displayed, make your selection and follow the on-screen instructions.

h If you do not want to set your machine as the Default printer, uncheck **Set as Default Printer**.

16

Finish and restart

- a** Click **Finish** to restart your computer. After restarting the computer, you must be logged on with Administrator rights.
- b** In the **Check for Firmware Updates** screen, choose the firmware update setting you want and click **OK**.



Note

Internet access is required for the firmware update.

Finish

The installation is now complete.

Now go to

Proceed to **Install Optional Applications** on page 11.



Note

XML Paper Specification Printer Driver

The XML Paper Specification Printer Driver is the most suitable driver when printing from applications that use the XML Paper Specification documents. Please download the latest driver by accessing the Brother Solutions Center at <http://solutions.brother.com/>



For USB interface users (Mac OS X 10.4.11, 10.5.x, 10.6.x)

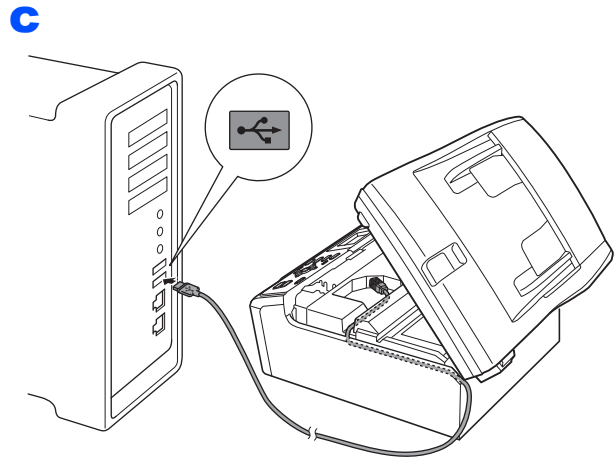
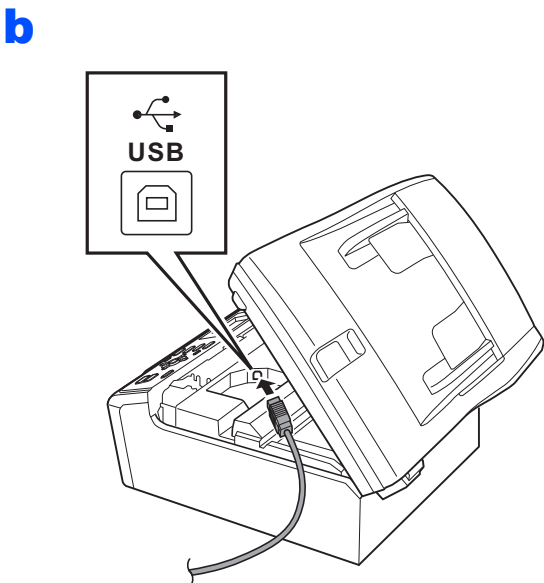
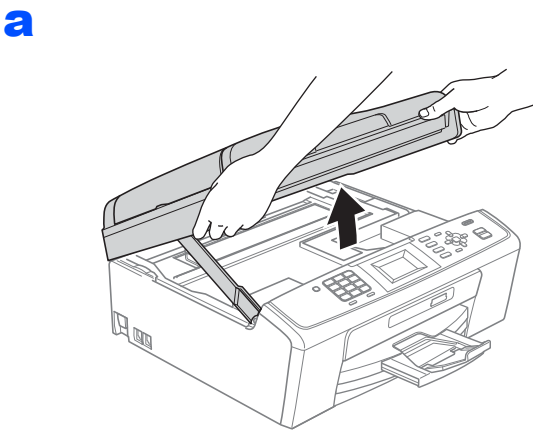
13 Before you install

- a** Make sure your machine is connected to the power and your Macintosh is ON. You must be logged on with Administrator rights.

14 Connect the USB cable

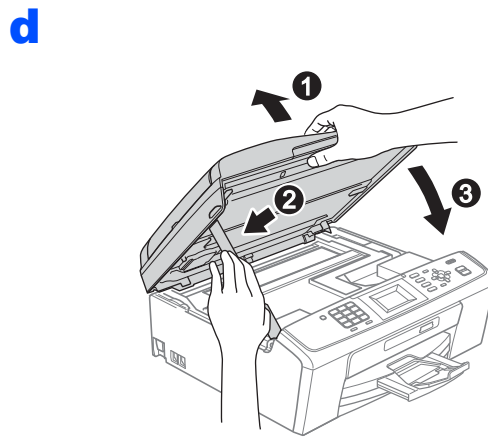
! IMPORTANT

- DO NOT connect the machine to a USB port on a keyboard or a non-powered USB hub.
- Connect the machine directly to your Macintosh.



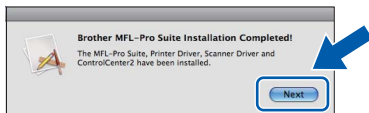
! IMPORTANT

Make sure that the cable does not restrict the cover from closing, or an error may occur.



**15****Install MFL-Pro Suite**

- a** Put the supplied installation CD-ROM into your CD-ROM drive.
- b** Double-click the **Start Here OSX** icon to install.
- c** Please wait, it will take a few seconds for the software to install. After the installation, the Brother software will search for the Brother device.
- d** Choose the machine from the list, and then click **OK**.
- e** When this screen appears, click **Next**.



- f** When the **Brother Support** screen appears, click **Close**.

Finish**The installation is now complete.**


1 Install FaceFilter Studio/BookScan & Whiteboard Suite supported by Reallusion, Inc

! IMPORTANT

- The machine must be ON and connected to the computer.
- The computer must be connected to the Internet.
- Make sure you are logged on with Administrator rights.
- This application is not available for Windows Server® 2003/2008 series.

- a Open the top menu again by ejecting and then reinserting the installation CD-ROM or by double-clicking the **start.exe** program from the root folder.
- b The CD-ROM Top Menu will appear. Choose your language and then click **Additional Applications**.
- c Click the button for the application you want to install.
- d Go back to the Additional Applications screen to install more applications.

2 Install FaceFilter Studio Help

- a To run FaceFilter Studio, go to **start/All Programs/Reallusion/FaceFilter Studio** on your computer.
- b Click the  button on the upper right corner of the screen.
- c Click **Check for updates** to go to the Reallusion update web page.
- d Click the **Download** button and choose a folder to save the file in.
- e Close FaceFilter Studio before you start the installer for FaceFilter Studio Help. Double-click the downloaded file from the folder you specified and follow the on-screen instructions for installation.

Note

To view the complete FaceFilter Studio Help, choose **start/All Programs/Reallusion/FaceFilter Studio/FaceFilter Studio Help** on your computer.

Trademarks

The Brother logo is a registered trademark of Brother Industries, Ltd.

Brother is a registered trademark of Brother Industries, Ltd.

Windows Vista is either a registered trademark or a trademark of Microsoft Corporation in the United States and other countries.

Microsoft, Windows, Windows Server and Internet Explorer are registered trademarks of Microsoft Corporation in the United States and/or other countries.

Apple, Macintosh and Mac OS are trademarks of Apple Inc., registered in the United States and other countries.

FaceFilter Studio is a trademark of Reallusion, Inc.

Each company whose software title is mentioned in this manual has a Software License Agreement specific to its proprietary programs.

Any trade names and product names of companies appearing on Brother products, related documents and any other materials are all trademarks or registered trademarks of those respective companies.

Compilation and Publication

Under the supervision of Brother Industries, Ltd., this manual has been compiled and published, covering the latest product descriptions and specifications.

The contents of this manual and the specifications of this product are subject to change without notice.

Brother reserves the right to make changes without notice in the specifications and materials contained herein and shall not be responsible for any damages (including consequential) caused by reliance on the materials presented, including but not limited to typographical and other errors relating to the publication.

Copyright and License

©2010 Brother Industries, Ltd. All rights reserved.



Get inspired. Double-click the Brother CreativeCenter icon on your desktop to access a FREE web site with many ideas and resources for personal and professional use.



<http://www.brother.com/creativecenter/>