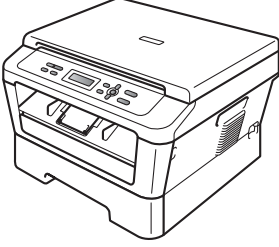

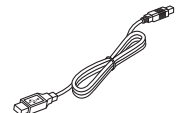
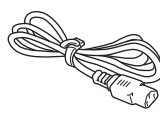
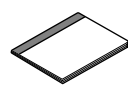
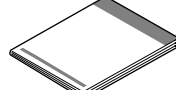
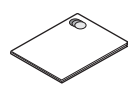
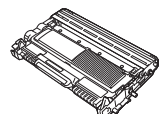


Please read the Safety and Legal booklet first before you set up your machine. Then, please read this Quick Setup Guide for the correct setup and installation.

To view the Quick Setup Guide in other languages, please visit <http://solutions.brother.com/>.

| | |
|------------------|--|
| ⚠ WARNING | WARNING indicates a potentially hazardous situation which, if not avoided, could result in death or serious injuries. |
| ⚠ CAUTION | CAUTION indicates a potentially hazardous situation which, if not avoided, may result in minor or moderate injuries. |

1 Unpack the machine and check the components

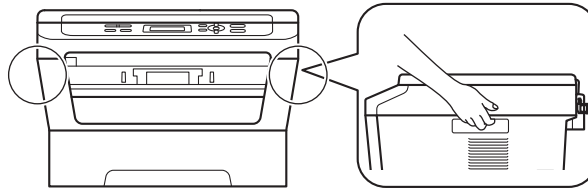
| | | | |
|--|---|--|--|
|  |  Installation CD-ROM, Documentation CD-ROM |  USB Interface Cable |  AC Power Cord |
| |  Basic User's Guide |  Quick Setup Guide |  Safety and Legal booklet |
|  Drum Unit and Toner Cartridge Assembly (pre-installed) | | | |

⚠ WARNING

Plastic bags are used in the packaging of your machine. Plastic bags are not toys. To avoid danger of suffocation, please keep these bags away from babies and children and dispose of them properly.

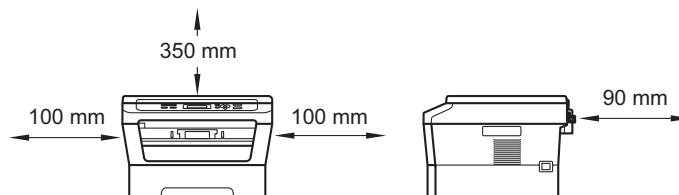
⚠ CAUTION

When you move the machine, grasp the side handholds that are under the scanner. DO NOT carry the machine by holding it at the bottom.



Note

- Keep a minimum gap around the machine as shown in the illustration.



- The components included in the box may differ depending on your country.
- Please save the original packaging should you need to ship the machine in future.
- If for any reason you must ship your machine, carefully repack the machine in the original packaging to avoid any damage during transit. The machine should be adequately insured with the carrier. For how to repack the machine, see *Packing and shipping the machine* in the *Advanced User's Guide*.
- The interface cable is not a standard accessory. Buy the appropriate interface cable for the interface you want to use (Network).

USB cable

- It is recommended to use a USB 2.0 cable (Type A/B) that is no longer than 2 meters.
- DO NOT connect the interface cable at this time. Connecting the interface cable is done during the MFL-Pro installation process.

Network cable

Use a straight-through Category5 (or greater) twisted-pair cable for 10BASE-T or 100BASE-TX Fast Ethernet Network.

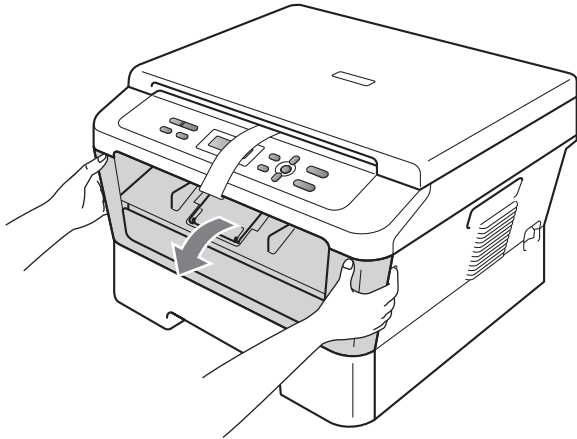
2 Remove the packing material from the machine

! IMPORTANT

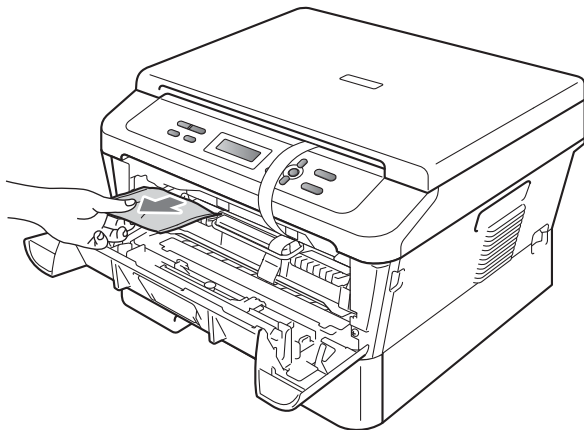
DO NOT connect the AC power cord yet.

a Remove the packing tape from the outside of the machine and the film covering the scanner glass.

b Open the front cover.



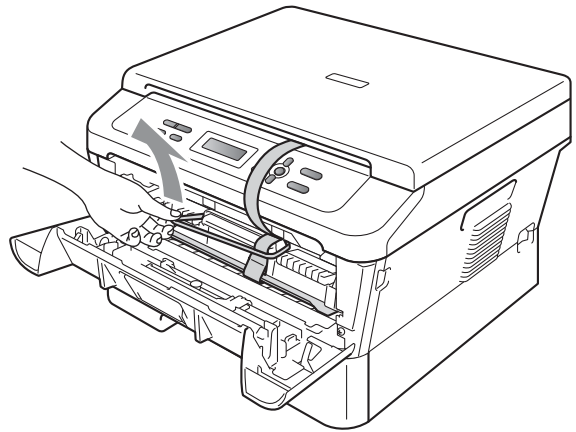
c Remove the Silica Pack from the inside of the machine.



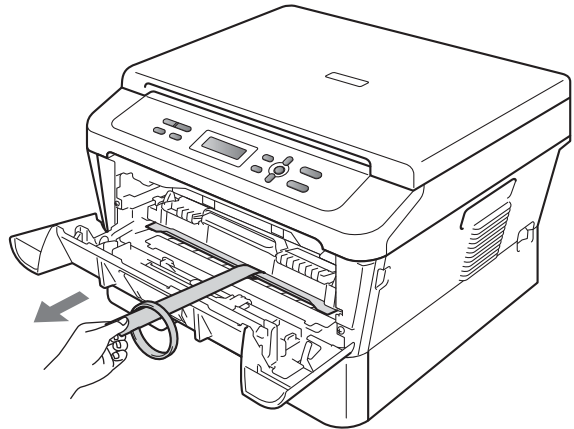
! CAUTION

DO NOT eat the Silica Pack. Please discard. If ingested seek medical attention immediately.

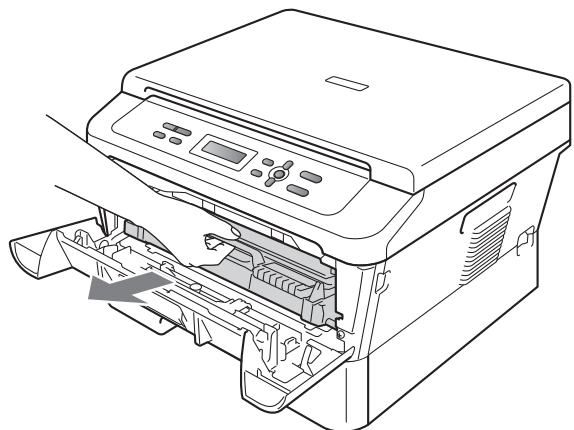
d Lift the elastic band off the drum.



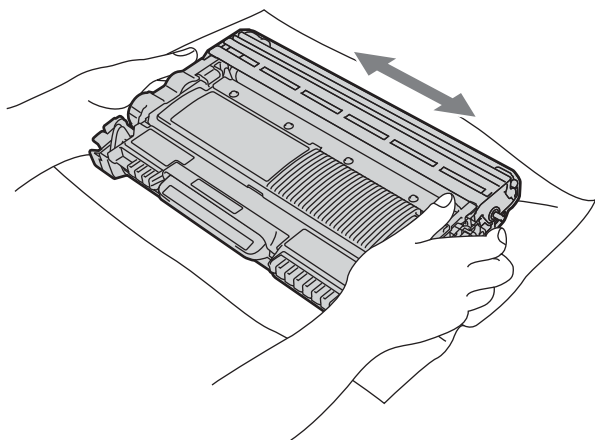
e Pull the paper strip to remove the protective material as shown in the illustration.



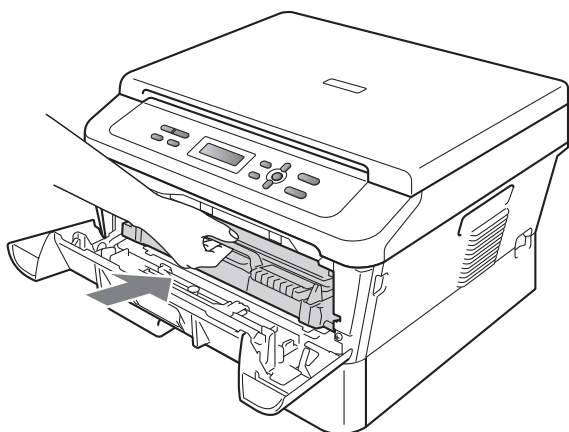
f Take out the drum unit and toner cartridge assembly.



- g** Gently shake it from side to side several times to distribute the toner evenly inside the assembly.



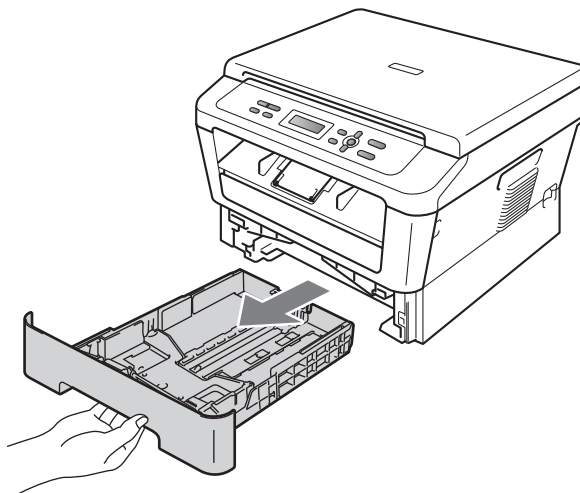
- h** Put the drum unit and toner cartridge assembly back in the machine.



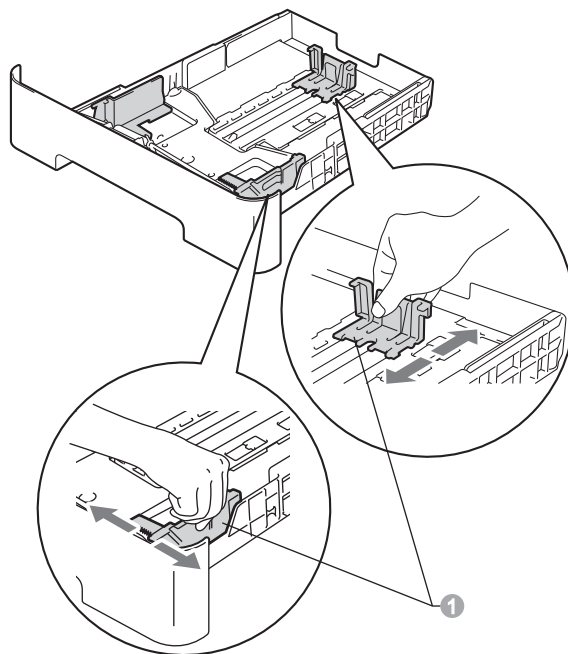
- i** Close the front cover of the machine.

3 Load paper in the paper tray

- a** Pull the paper tray completely out of the machine.



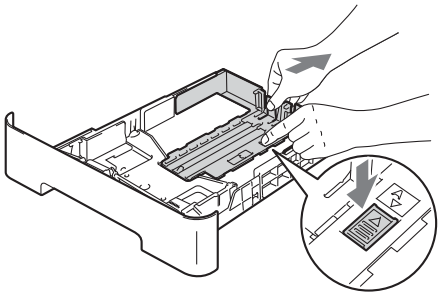
- b** While pressing the green paper-guide release lever ①, slide the paper guides to fit the paper size you are loading in the tray. Make sure that the guides are firmly in the slots.



 **Note**

For Legal or Folio size paper, press the release button in the bottom of the paper tray and then pull out the back of the paper tray.

(Legal or Folio size paper are not available in some regions.)

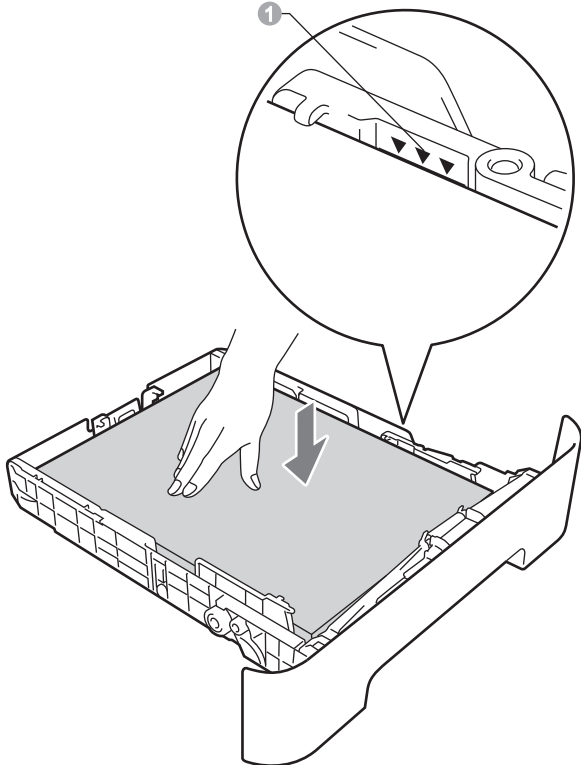


C Fan the stack of paper well to avoid paper jams and misfeeds.



d Put paper in the tray and make sure:

- The paper is below the maximum paper mark (▼▼▼) ①.
- Over filling the paper tray will cause paper jams.
- The side to be printed on must be face down.
- The paper guides touch the sides of the paper so it will feed properly.



e Put the paper tray firmly back in the machine. Make sure that it is completely inserted into the machine.

4 Connect the power cord

! IMPORTANT

DO NOT connect the interface cable yet.



- a** Connect the AC power cord to the machine, and then plug it into an AC power outlet.
- b** Turn on the machine's power switch.

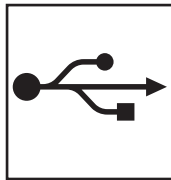
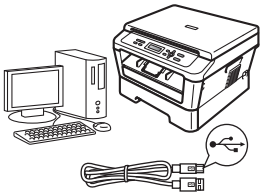
5 Set the LCD contrast (if needed)

If you are having difficulty reading the LCD, try changing the contrast setting.

- a** Press **Menu**.
- b** Press **▲** or **▼** to choose 1.General Setup. Press **OK**.
- c** Press **▲** or **▼** to choose 3.LCD Contrast. Press **OK**.
- d** Press **▲** to increase the contrast.
—OR—
Press **▼** to decrease the contrast. Press **OK**.
- e** Press **Stop/Exit**.

6

Choose your connection type



For USB Interface Users

Windows[®], go to page 8

Macintosh, go to page 10

Note

You can download the latest drivers and utilities for your machine from the Brother Solutions Center at <http://solutions.brother.com/>.



For USB Interface Users

(Windows® 2000 Professional/XP/XP Professional x64 Edition/Windows Vista®/Windows® 7)

7 Before you install

- a** Make sure that your computer is ON and you are logged on with Administrator rights.

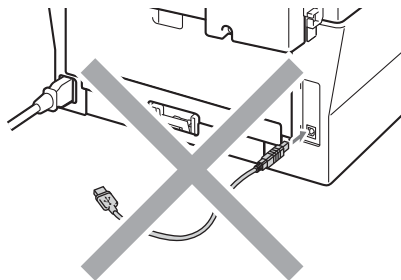
! IMPORTANT

- If there are any programs running, close them.
- The screens may differ depending on your operating system.

Note

The installation CD-ROM includes Presto! PageManager. This software supports Windows® 2000, Windows® XP, XP Professional x64 Edition, Windows Vista® and Windows® 7. Update to the latest Windows® Service Pack before installing MFL-Pro Suite.

- b** Turn off the machine and make sure the USB interface cable is **NOT** connected to the machine. If you have already connected the cable, disconnect it.



8 Install MFL-Pro Suite

- a** Put the installation CD-ROM into your CD-ROM drive. If the model name screen appears, choose your machine. If the language screen appears, choose your language.

Note

If the Brother screen does not appear automatically, go to **My Computer (Computer)**, double-click the CD-ROM icon, and then double-click **start.exe**.

- b** Click **Initial Installation** and then **Install MFL-Pro Suite**.

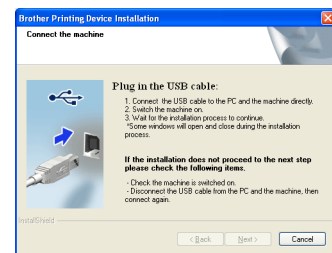


- c** Click **Yes** if you accept the license agreements.

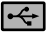
Note

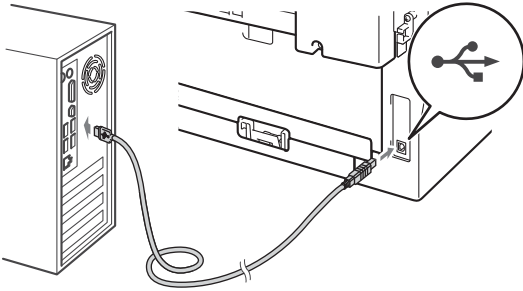
- If the installation does not continue automatically, open the top menu again by ejecting and then reinserting the CD-ROM or double-click the **start.exe** program from the root folder, and continue from step **b** to install MFL-Pro Suite.
- For Windows Vista® and Windows® 7 users, when the **User Account Control** screen appears, click **Allow** or **Yes**.

- d** Follow the on-screen instructions until this screen appears.





- e Connect the USB cable to the USB connector marked with the  symbol on your machine and then connect the cable to your computer.



- f Turn the machine on, and follow the on-screen instructions to complete setup.

! IMPORTANT

DO NOT cancel any of the screens during the installation. It may take a few seconds for all screens to appear.



Note

- For Windows Vista® and Windows® 7 users, when the **Windows Security** screen appears, click the check box and click **Install** to complete the installation correctly.
- If an error message appears during the software installation, run the **Installation Diagnostics** located in **Start/All Programs/Brother/DCP-XXXX** (where DCP-XXXX is your model name).

Finish

The installation is now complete.



Note

- Depending on your security settings, a Windows Security or antivirus software window may appear when using the machine or its software. Please allow or permit the window to continue.
- **XML Paper Specification Printer Driver**
The XML Paper Specification Printer Driver is the most suitable driver for Windows Vista® and Windows® 7 when printing from applications that use the XML Paper Specification documents. Please download the latest driver by accessing the Brother Solutions Center at <http://solutions.brother.com/>.




For USB Interface Users (Mac OS X 10.4.11 - 10.6.x)

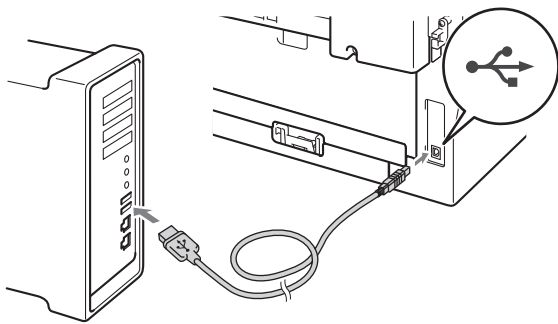
7 Before you install

- a** Make sure your machine is connected to the power and your Macintosh is ON. You must be logged on with Administrator rights.

! IMPORTANT

For Mac OS X 10.4.10 users, upgrade to Mac OS X 10.4.11 - 10.6.x. (For the latest drivers and information on the Mac OS X you are using, visit [http://solutions.brother.com/.](http://solutions.brother.com/))

- b** Connect the USB cable to the USB connector marked with the  symbol on your machine and then connect the cable to your Macintosh.



- c** Make sure your machine's power switch is on.

8 Install MFL-Pro Suite

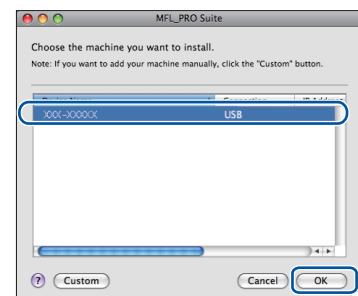
- a** Put the installation CD-ROM into your CD-ROM drive.
- b** Double-click the **Start Here OSX** icon. Follow the on-screen instructions.



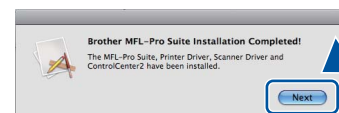
Note

It may take a few minutes for installation to complete.

- c** Follow the on-screen instructions until this screen appears. Choose your machine from the list, and then click **OK**.



- d** When this screen appears, click **Next**.



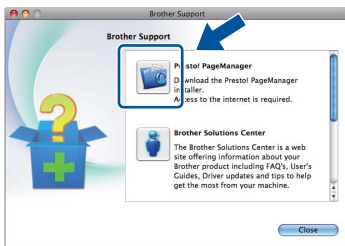
The installation of MFL-Pro Suite is now complete.
Go to step 9 on page 11.



9 Download and install Presto! PageManager

When Presto! PageManager is installed OCR capability is added to Brother ControlCenter2. You can easily scan, share and organize photos and documents using Presto! PageManager.

On the **Brother Support** screen, click **Presto! PageManager** and follow the on-screen instructions.



Finish

The installation is now complete.

Brother CreativeCenter



Get inspired. If you're using Windows, double-click the Brother CreativeCenter icon on your desktop to access our FREE web site with many ideas and resources for personal and professional use.

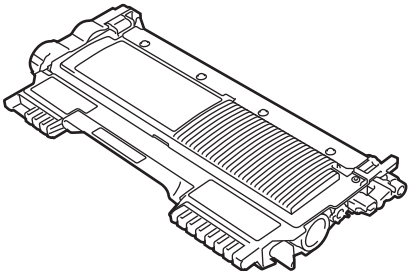
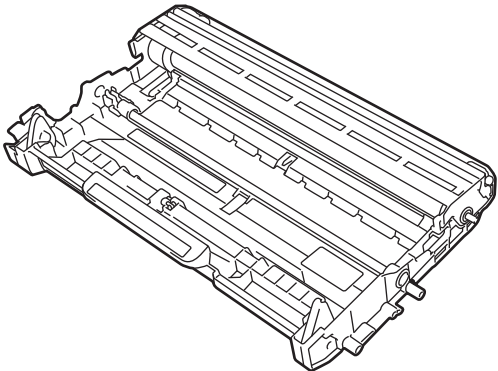



Mac users can access Brother CreativeCenter at this web address:

<http://www.brother.com/creativecenter/>

Consumables

When the time comes to replace consumable items, an error will be indicated by the LCD on the control panel. For more information about the consumables for your machine, visit us at <http://solutions.brother.com/> or contact your local Brother reseller.

| Toner cartridges | Drum unit |
|---|--|
| Standard Toner: TN-420 High Capacity Toner: TN-450 | DR-420 |
|  |  |

 For replacing the consumable items, See *Replacing consumable items* in the *Basic User's Guide*.

Trademarks

The Brother logo is a registered trademark of Brother Industries, Ltd.

Brother is a registered trademark of Brother Industries, Ltd.

Microsoft, Windows, Windows Server and Internet Explorer are registered trademarks of Microsoft Corporation in the United States and/or other countries.

Windows Vista is either a registered trademark or a trademark of Microsoft Corporation in the United States and other countries.

Apple, Macintosh, Safari and TrueType are trademarks of Apple Inc., registered in the United States and other countries.

Mac and the Mac logo are trademarks of Apple Inc., registered in the U.S. and other countries.

Any trade names and product names of companies appearing on Brother products, related documents and any other materials are all trademarks or registered trademarks of those respective companies.

Compilation and Publication

Under the supervision of Brother Industries, Ltd., this manual has been compiled and published, covering the latest product descriptions and specifications.

The contents of this manual and the specifications of this product are subject to change without notice.

Brother reserves the right to make changes without notice in the specifications and materials contained herein and shall not be responsible for any damages (including consequential) caused by reliance on the materials presented, including but not limited to typographical and other errors relating to the publication.

Copyright and License

©2010 Brother Industries, Ltd.

This product includes software developed by the following vendors:

©1983-1998 PACIFIC SOFTWARES, INC.

©2010 Devicescape Software, Inc.

This product includes the "KASAGO TCP/IP" software developed by ZUKEN ELMIC, Inc.