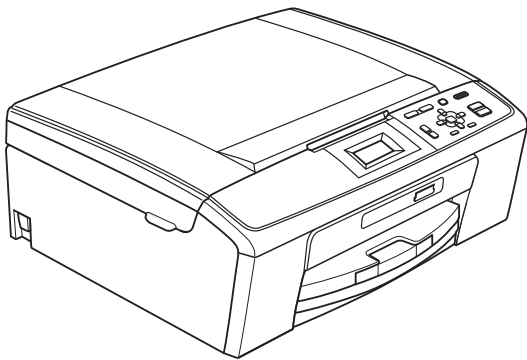


brother®

ADVANCED USER'S GUIDE



**DCP-J125
DCP-J315W**

Version 0

ARL/ASA/NZ/SAF

User's Guides and where do I find it?

Which manual?	What's in it?	Where is it?
Safety and Legal	Please read the Safety Instructions before you set up your machine.	Printed / In the box
Quick Setup Guide	Read this Guide first. Follow the instructions for setting up your machine and installing the drivers and software for the operating system and connection type you are using.	Printed / In the box
Basic User's Guide	Learn the basic Copy, Scan and PhotoCapture Center™ operations and how to replace consumables. See troubleshooting tips.	Printed / In the box
Advanced User's Guide	Learn more advanced operations: Copy, printing reports and performing routine maintenance.	PDF file / Documentation CD-ROM
Software User's Guide	Follow these instructions for Printing, Scanning, Network Scanning, PhotoCapture Center™, and using the Brother ControlCenter utility.	PDF file / Documentation CD-ROM
Network User's Guide (DCP-J315W only)	This Guide provides more advanced information for configuring the Wireless network connections. In addition, find information about network utilities, network printing, troubleshooting tips and supported network specifications.	PDF file / Documentation CD-ROM

Table of Contents

1	General setup	1
	Memory storage.....	1
	Sleep Mode	1
	LCD display	1
	Changing LCD language	1
	LCD Contrast.....	1
	Setting the Dim Timer for the backlight	2
2	Printing reports	3
	Reports	3
	How to print a report.....	3
3	Making copies	4
	Copy settings	4
	Stop copying.....	4
	Changing copy speed and quality	4
	Enlarging or reducing the copied image	5
	Making N in 1 copies or a poster (Page Layout)	6
	Adjusting Density.....	7
	Setting your changes as a new default.....	7
	Restoring all settings to the factory settings	8
4	Printing photos from a memory card	9
	PhotoCapture Center™ operations	9
	Memory cards folder structure.....	9
	Print Images.....	10
	Print Index (Thumbnails)	10
	Printing Photos	10
	Print All Photos	11
	DPOF printing.....	11
	PhotoCapture Center™ print settings.....	12
	Print Quality	12
	Paper options	12
	Adjusting Brightness, Contrast and Colour.....	13
	Cropping	13
	Borderless printing.....	14
	Date Print.....	14
	Setting your changes as a new default.....	14
	Restoring all settings to the factory settings	14
	Scan to a memory card.....	15
	How to set a new default	15
	How to reset to factory settings	15

A	Routine maintenance	16
	Cleaning and checking the machine	16
	Cleaning the outside of the machine	16
	Cleaning the machine's printer platen	17
	Checking the ink volume	17
	Packing and shipping the machine	18
B	Glossary	20
C	Index	21

Memory storage

Your menu settings are stored permanently, and in the event of a power failure will not be lost. If you have chosen `Set New Default`, settings in the **PHOTO CAPTURE** mode will not be lost. Temporary settings (for example, `Contrast`) will be lost.

Sleep Mode

You can choose how long the machine must be idle (from 1 to 60 minutes) before it goes into sleep mode. The timer will restart if any operation is carried out on the machine.

- 1 Press **Menu**.
- 2 Press **▲** or **▼** to choose `General Setup`. Press **OK**.
- 3 Press **▲** or **▼** to choose `Sleep Mode`. Press **OK**.
- 4 Press **▲** or **▼** to choose `1Min`, `2Mins`, `3Mins`, `5Mins`, `10Mins`, `30Mins` or `60Mins` which is the length of time the machine is idle before entering sleep mode. Press **OK**.
- 5 Press **Stop/Exit**.

LCD display

Changing LCD language

You can change the LCD language.

- 1 Press **Menu**.
- 2 Press **▲** or **▼** to choose `Initial Setup`. Press **OK**.
- 3 Press **▲** or **▼** to choose `Local Language`. Press **OK**.
- 4 Press **▲** or **▼** to choose your language. Press **OK**.
- 5 Press **Stop/Exit**.

LCD Contrast

You can adjust the LCD contrast for a sharper and more vivid display. If you are having difficulty reading the LCD, try changing the contrast setting.

- 1 Press **Menu**.
- 2 Press **▲** or **▼** to choose `General Setup`. Press **OK**.
- 3 Press **▲** or **▼** to choose `LCD Settings`. Press **OK**.
- 4 Press **▲** or **▼** to choose `LCD Contrast`. Press **OK**.
- 5 Press **◀** to decrease the contrast or press **▶** to increase the contrast. Press **OK**.
- 6 Press **Stop/Exit**.

Setting the Dim Timer for the backlight

You can set how long the LCD backlight stays on after you go back to the Ready screen.

- 1 Press **Menu**.
- 2 Press **▲** or **▼** to choose General Setup.
Press **OK**.
- 3 Press **▲** or **▼** to choose LCD Settings.
Press **OK**.
- 4 Press **▲** or **▼** to choose Dim Timer.
Press **OK**.
- 5 Press **▲** or **▼** to choose 10Secs, 20Secs, 30Secs or Off.
Press **OK**.
- 6 Press **Stop/Exit**.

Reports

The following reports are available:

- **Help List**
A help list showing how to program your machine.
- **User Settings**
Lists your settings.
- **Network Config (DCP-J315W only)**
Lists your Network settings.
- **WLAN Report (DCP-J315W only)**
Prints a WLAN connection report.

How to print a report

- 1 Press **Menu**.
- 2 Press **▲** or **▼** to choose **Print Reports**.
Press **OK**.
- 3 Press **▲** or **▼** to choose the report you want.
Press **OK**.
- 4 Press **Mono Start**.
- 5 Press **Stop/Exit**.

3

Making copies

Copy settings

You can change the copy settings temporarily for multiple copies.

The machine returns to its default settings after 1 minute.

To change a setting, press ▲ or ▼ to scroll through the copy settings. When the setting you want is highlighted, press **OK**.

When you are finished choosing settings, press **Mono Start** or **Colour Start**.



Note

You can save some of the settings that you use most often by setting them as default. These settings will stay until you change them again. (See *Setting your changes as a new default* on page 7.)

Stop copying

To stop copying, press **Stop/Exit**.

Changing copy speed and quality

You can choose the copy quality. The factory setting is **Normal**.

Fast	Fast copy speed and lowest amount of ink used. Use this setting to save time (documents to be proof read, large documents or many copies).
Normal	Recommended setting for ordinary print outs. Good copy quality with adequate copy speed.
Best	Use this setting to copy precise images such as photographs. The highest resolution and slowest speed.

- 1 Load your document.
- 2 Enter the number of copies you want.
- 3 Press ▲ or ▼ to choose **Quality**. Press **OK**.
- 4 Press ▲ or ▼ to choose **Fast**, **Normal** or **Best**. Press **OK**.
- 5 If you do not want to change additional settings, press **Mono Start** or **Colour Start**.

Enlarging or reducing the copied image

You can choose an enlargement or reduction ratio. If you choose **Fit to Page**, your machine will adjust the size automatically to the paper size you set.

- 1 Load your document.
- 2 Enter the number of copies you want.
- 3 Press **▲** or **▼** to choose **Enlarge/Reduce**. Press **OK**.
- 4 Press **▲** or **▼** to choose **100%**, **Enlarge**, **Reduce**, **Fit to Page**, **Custom (25-400%)**.
- 5 Do one of the following:
 - If you chose **Enlarge** or **Reduce** press **OK** and press **▲** or **▼** to choose the enlargement or reduction ratio you want. Press **OK** and go to step 6.
 - If you chose **Custom (25-400%)**, press **OK**. Press **▲**, **▼**, **◀** or **▶** to select a number, and then press **OK** repeatedly until you complete to enter the number.
Press **▲**, **▼**, **◀** or **▶** to select **OK**, and press **OK**. Go to step 6.
 - If you chose **100%** or **Fit to Page**, press **OK**. Go to step 6.

198% 10x15cm→A4
186% 10x15cm→LTR
142% A5→A4
100%
97% LTR→A4
93% A4→LTR
83%
69% A4→A5
47% A4→10x15cm
Fit to Page
Custom (25-400%)

- 6 If you do not want to change additional settings, press **Mono Start** or **Colour Start**.



Note

- **Page Layout** is not available with **Enlarge/Reduce** and **Fit to Page**.
- **Fit to Page** does not work correctly if the document on the scanner glass is skewed by more than 3 degrees. Using the document guidelines on the left and top, place your document in the upper left hand corner, with the document face down on the scanner glass.

Making N in 1 copies or a poster (Page Layout)

The N in 1 copy feature can help you save paper by letting you copy two or four pages onto one printed page.

You can also produce a poster. When you use the poster feature your machine divides your document into sections, then enlarges the sections so you can assemble them into a poster.

! IMPORTANT

- Make sure the paper size is set to A4 or Letter.
- You cannot use the *Enlarge/Reduce* setting with the N in 1 and Poster features.
- If you are producing multiple colour copies, N in 1 copy is not available.
- (P) means Portrait and (L) means Landscape.
- You can only make one poster copy at a time.



Note

Enlarge/Reduce is not available with *Page Layout*.

- 1 Load your document.
- 2 Enter the number of copies you want.
- 3 Press ▲ or ▼ to choose *Page Layout*. Press **OK**.
- 4 Press ▲ or ▼ to choose *Off (1in1)*, *2 in 1 (P)*, *2 in 1 (L)*, *4 in 1 (P)*, *4 in 1 (L)* or *Poster (3x3)*. Press **OK**.
- 5 If you do not want to change additional settings, press **Mono Start** or **Colour Start** to scan the page. If you are making a poster the machine scans the pages and starts printing. Go to step 6.
- 6 After the machine scans the page, press + (*Yes*) to scan the next page.
- 7 Place the next page on the scanner glass. Press **OK**. Repeat steps 6 and 7 for each page of the layout.
- 8 After all the pages have been scanned, press - (*No*) to finish.



Note

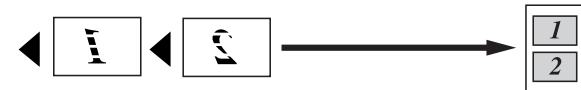
If photo paper has been chosen in the *Paper Type* setting for N in 1 copies, the machine will print the images as if plain paper had been chosen.

Place your document face down in the direction shown below.

■ 2 in 1 (P)



■ 2 in 1 (L)



■ 4 in 1 (P)

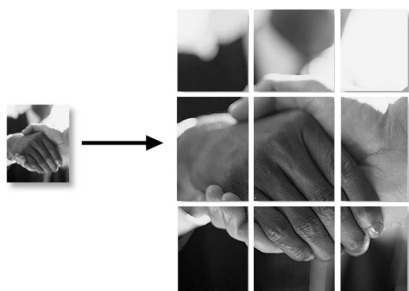


■ 4 in 1 (L)



■ **Poster (3 x 3)**

You can make a poster size copy of a photograph.



Adjusting Density

You can adjust the copy density to make copies darker or lighter.

- 1 Load your document.
- 2 Enter the number of copies you want.
- 3 Press ▲ or ▼ to choose *Density*. Press **OK**.
- 4 Press ◀ or ▶ to make a lighter or darker copy. Press **OK**.
- 5 If you do not want to change additional settings, press **Mono Start** or **Colour Start**.

3

Setting your changes as a new default

You can save the copy settings for *Quality*, *Enlarge/Reduce*, *Density* and *Page Layout* that you use most often by setting them as the default settings. These settings will stay until you change them again.

- 1 Press ▲ or ▼ to choose your new setting. Press **OK**. Repeat this step for each setting you want to change.
- 2 After changing the last setting, press ▲ or ▼ to choose *Set New Default*. Press **OK**.
- 3 Press **+** to choose *Yes*.
- 4 Press **Stop/Exit**.

Restoring all settings to the factory settings

You can restore the copy settings *Quality*, *Enlarge/Reduce*, *Density* and *Page Layout*, that you have changed, to the factory settings.

- 1 Press ▲ or ▼ to choose *Factory Reset*. Press **OK**.
- 2 Press + to choose *Yes*.
- 3 Press **Stop/Exit**.

PhotoCapture Center™ operations

Memory cards folder structure

Your machine is designed to be compatible with modern digital camera image files and memory cards; however, please read the points below to avoid errors:

- The image file extension must be .JPG (other image file extensions like .JPEG, .TIF, .GIF and so on will not be recognized).
- Direct PhotoCapture Center™ printing must be performed separately from PhotoCapture Center™ operations using the PC. (Simultaneous operation is not available.)
- The machine can read up to 999 files on a memory card.
- The DPOF file on the memory cards must be in a valid DPOF format. (See *DPOF printing* on page 11.)

Please be aware of the following:

- When printing an index or image, the PhotoCapture Center™ will print all valid images, even if one or more images have been corrupted. Corrupted images will not be printed.
- (memory card users)

Your machine is designed to read memory cards that have been formatted by a digital camera.

When a digital camera formats a memory card it creates a special folder into which it copies image data. If you need to modify the image data stored on a memory card with your PC, we recommend that you do not modify the folder structure created by the digital camera. When saving new or modified image files to the memory card we also recommend you use the same folder your digital camera uses. If the data is not saved to the same folder, the machine may not be able to read the file or print the image.

Print Images

Print Index (Thumbnails)

The PhotoCapture Center™ assigns numbers for images (such as No.1, No.2, No.3, and so on).




→ NO.1
DEI.JPG 01.01.2009
100KB

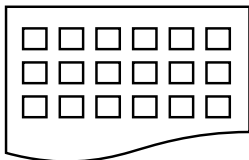
The PhotoCapture Center™ uses these numbers to identify each picture. You can print a thumbnail page. This will show all the pictures on the memory card.



Note

Only file names that are 8 characters or less will be printed correctly on the index sheet.

- 1 Make sure you have put the memory card in the correct slot.
Press  (**PHOTO CAPTURE**).
- 2 Press ▲ or ▼ to choose `Print Index`.
Press **OK**.
- 3 Press ▲ or ▼ to choose `6 IMGs/Line` or `5 IMGs/Line`.
Press **OK**.



6 IMGs/Line



5 IMGs/Line

Print time for 5 IMGs/Line will be slower than 6 IMGs/Line, but the quality is better.

- 4 Press ▲ or ▼ to choose the paper settings, `Paper Type` and `Paper Size`.

Do one of the following:

- If you chose `Paper Type`, press **OK** and press ▲ or ▼ to choose the type of paper you are using, `Plain Paper`, `Inkjet Paper`, `Brother BP71`, `Brother BP61` or `Other Glossy`.

Press **OK**.

- If you chose `Paper Size`, press **OK** and press ▲ or ▼ to choose the paper size you are using, `A4` or `Letter`.


Press **OK**.

- If you do not want to change the paper settings, go to step 5.

- 5 Press **Colour Start** to print.

Printing Photos

Before you can print an individual image, you have to know the image number.

- 1 Make sure you have put the memory card in the correct slot.
Press  (**PHOTO CAPTURE**).
- 2 Print the Index. (See *Print Index (Thumbnails)* on page 10.)
- 3 Press ▲ or ▼ to choose `Print Photos`.
Press **OK**.
- 4 Press ▲ repeatedly to choose the image number that you want to print from the Index page (Thumbnails).
If you want to choose a two digit number, press ► to move the cursor to the next digit.
(For example, enter 1, ►, 6 to print image No.16.)
Press **OK**.



Note

Press ▼ to decrease the image number.

- 5 Repeat step 4 until you have entered all the image numbers that you want to print.
(For example, enter **1, OK, 3, OK, 6, OK** to print images No.1, No.3 and No.6.)




Note

You can enter up to 12 characters (including commas) for the image numbers you want to print.

- 6 After you have chosen all the image numbers, press **OK** again.
- 7 Press **+** or **-** repeatedly to enter the number of copies you want.
- 8 Do one of the following:
 - Change the print settings. (See *PhotoCapture Center™ print settings* on page 12.)
 - If you do not want to change any settings, press **Colour Start** to print.

Print All Photos

You can print all the photos on your memory card.

- 1 Make sure you have put the memory card in the correct slot.
Press  (**PHOTO CAPTURE**).
- 2 Press **▲** or **▼** to choose *Print All Photos*.
Press **OK**.
- 3 Press **+** or **-** repeatedly to enter the number of copies you want.
- 4 Do one of the following:
 - Change the print settings. (See *PhotoCapture Center™ print settings* on page 12.)
 - If you do not want to change any settings, press **Colour Start** to print.


DPOF printing

DPOF stands for Digital Print Order Format.

Major digital camera manufacturers (Canon Inc., Eastman Kodak Company, FUJIFILM Corporation, Panasonic Corporation and Sony Corporation) created this standard to make it easier to print images from a digital camera.

If your digital camera supports DPOF printing, you will be able to choose on the digital camera display the images and number of copies you want to print.

When a memory card containing DPOF information is put into your machine, you can print the chosen image easily.

- 1 Make sure you have put the memory card in the correct slot.
Press  (**PHOTO CAPTURE**). The machine will ask you if you want to use DPOF settings.
The DPOF file on the memory card must be in a valid DPOF format.
- 2 Press **+** to choose *Yes*.
- 3 Do one of the following:
 - Change the print settings. (See *PhotoCapture Center™ print settings* on page 12.)
 - If you do not want to change any settings, press **Colour Start** to print.



Note

A DPOF File error can occur if the print order that was created on the camera has been corrupted. Delete and recreate the print order using your camera to correct this problem.

For instructions on how to delete or recreate the print order, refer to your camera manufacturer's support website or accompanying documentation.

PhotoCapture Center™ print settings

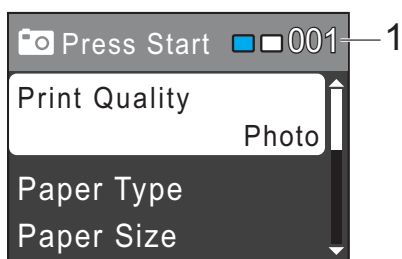
You can change the print settings temporarily for the next print.

The machine returns to its default settings after 3 minutes.



Note

You can save the print settings you use most often by setting them as the default. (See *Setting your changes as a new default* on page 14.)



1 No. of prints

(For View Photo(s))

You can see the total number of photos that will be printed.

(For Print All Photos, Print Photos)

You can see the number of copies of each photo that will be printed.

(For DPOF printing)

This does not appear.

Print Quality

- 1 Press ▲ or ▼ to choose Print Quality. Press **OK**.
- 2 Press ▲ or ▼ to choose Normal or Photo. Press **OK**.
- 3 If you do not want to change additional settings, press **Colour Start** to print.

Paper options

Paper Type

- 1 Press ▲ or ▼ to choose Paper Type. Press **OK**.
- 2 Press ▲ or ▼ to choose the paper type you are using, Plain Paper, Inkjet Paper, Brother BP71, Brother BP61 or Other Glossy. Press **OK**.
- 3 If you do not want to change additional settings, press **Colour Start** to print.

Paper and print size

- 1 Press ▲ or ▼ to choose Paper Size. Press **OK**.
- 2 Press ▲ or ▼ to choose the paper size you are using, 10x15cm, 13x18cm, A4 or Letter. Press **OK**.
- 3 If you chose A4 or Letter, press ▲ or ▼ to choose the print size. Press **OK**.

Example: Printed Position for A4 paper		
1 8 x 10cm	2 9 x 13cm	3 10 x 15cm
4 13 x 18cm	5 15 x 20cm	6 Max. Size

- 4 If you do not want to change additional settings, press **Colour Start** to print.

Adjusting Brightness, Contrast and Colour

Brightness

- 1 Press ▲ or ▼ to choose *Brightness*. Press **OK**.
- 2 Press ◀ or ▶ to make a darker or lighter print. Press **OK**.
- 3 If you do not want to change additional settings, press **Colour Start** to print.

Contrast

You can choose the contrast setting. Increasing the contrast will make an image look sharper and more vivid.

- 1 Press ▲ or ▼ to choose *Contrast*. Press **OK**.
- 2 Press ◀ or ▶ to change the contrast. Press **OK**.
- 3 If you do not want to change additional settings, press **Colour Start** to print.

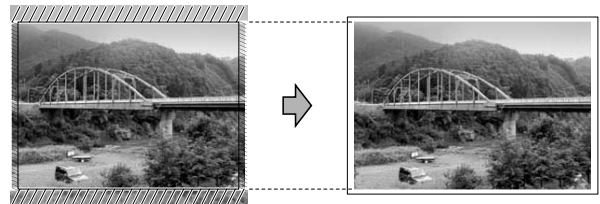
Cropping

If your photo is too long or wide to fit the available space on your chosen layout, part of the image will automatically be cropped.

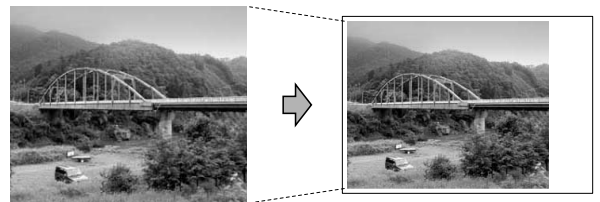
The factory setting is *On*. If you want to print the whole image, turn this setting to *Off*. When you set *Cropping* to *Off*, also set *Borderless* to *Off*. (See *Borderless printing* on page 14.)

- 1 Press ▲ or ▼ to choose *Cropping*. Press **OK**.
- 2 Press ▲ or ▼ to choose *Off* (or *On*). Press **OK**.
- 3 If you do not want to change additional settings, press **Colour Start** to print.

Cropping: On



Cropping: Off



Borderless printing

This feature expands the printable area to the edges of the paper. Printing time will be slightly slower.

- 1 Press ▲ or ▼ to choose `Borderless`. Press **OK**.
- 2 Press ▲ or ▼ to choose `Off` (or `On`). Press **OK**.
- 3 If you do not want to change additional settings, press **Colour Start** to print.

Date Print

You can print the date if it is already in the data on your photo. The date will be printed on the lower right corner. If the data doesn't have the date information, you cannot use this function.

- 1 Press ▲ or ▼ to choose `Date Print`. Press **OK**.
- 2 Press ▲ or ▼ to choose `On` (or `Off`). Press **OK**.
- 3 If you do not want to change additional settings, press **Colour Start** to print.



Note

The DPOF setting on your camera must be turned off to use the `Date Print` feature.

Setting your changes as a new default

You can save the print settings you use most often by setting them as the default settings. These settings will stay until you change them again.

- 1 Press ▲ or ▼ to choose your new setting. Press **OK**. Repeat this step for each setting you want to change.
- 2 After changing the last setting, press ▲ or ▼ to choose `Set New Default`. Press **OK**.
- 3 Press **+** to choose `Yes`.
- 4 Press **Stop/Exit**.

Restoring all settings to the factory settings


You can restore the PhotoCapture settings `Print Quality`, `Paper Type`, `Paper Size`, `Brightness`, `Contrast`, `Cropping`, `Borderless` and `Date Print`, that you have changed, to the factory settings.

- 1 Press ▲ or ▼ to choose `Factory Reset`. Press **OK**.
- 2 Press **+** to choose `Yes`.
- 3 Press **Stop/Exit**.

Scan to a memory card


How to set a new default

You can save the Scan to Media settings (Quality and File Type) you use most often by setting them as the default settings. These settings will stay until you change them again.

- 1 Press  (**SCAN**).
- 2 Press ▲ or ▼ to choose Scan to Media.
Press **OK**.
- 3 Press ▲ or ▼ to choose Set New Default.
Press **OK**.
- 4 Press + to choose Yes.
- 5 Press **Stop/Exit**.

How to reset to factory settings

You can restore the Scan to Media settings (Quality and File Type), that you have changed, to the factory settings.

- 1 Press  (**SCAN**).
- 2 Press ▲ or ▼ to choose Scan to Media.
Press **OK**.
- 3 Press ▲ or ▼ to choose Factory Reset.
Press **OK**.
- 4 Press + to choose Yes.
- 5 Press **Stop/Exit**.

A

Routine maintenance

Cleaning and checking the machine

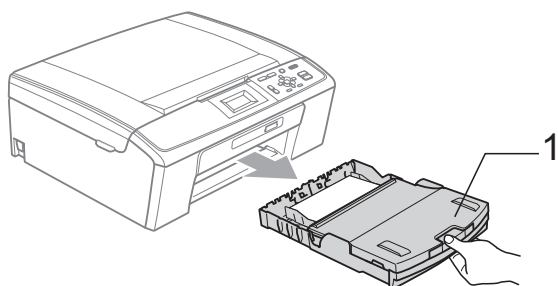
Cleaning the outside of the machine

! IMPORTANT

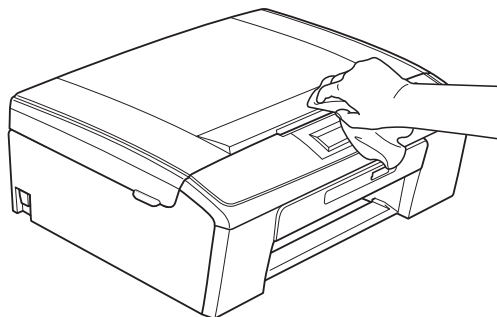
- Use neutral detergents. Cleaning with volatile liquids such as thinner or benzine will damage the outside surface of the machine.
- DO NOT use cleaning materials that contain ammonia.
- DO NOT use isopropyl alcohol to remove dirt from the control panel. It may crack the panel.

Clean the outside of the machine as follows:

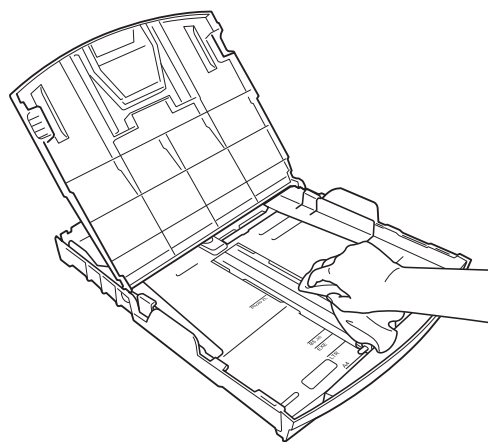
- 1 Pull the paper tray (1) completely out of the machine.



- 2 Wipe the outside of the machine with a *dry*, lint-free soft cloth to remove dust.



- 3 Lift the output paper tray cover and remove anything that is stuck inside the paper tray.
- 4 Wipe the inside and outside of the paper tray with a *dry*, lint-free soft cloth to remove dust.



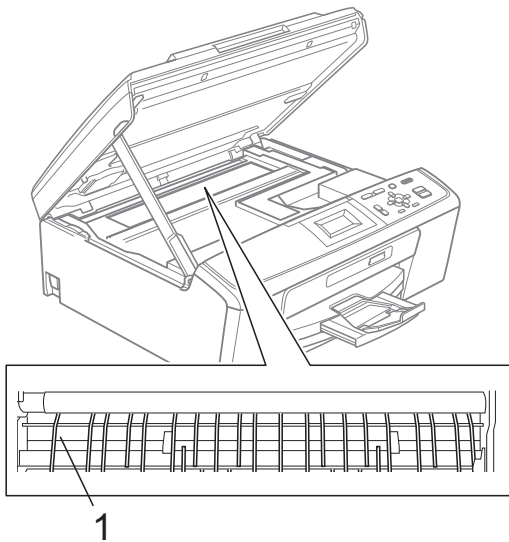
- 5 Close the output paper tray cover and put the paper tray firmly back in the machine.

Cleaning the machine's printer platen

⚠ CAUTION

Be sure to unplug the machine from the electrical socket before cleaning the printer platen (1).

- 1 Lift the scanner cover until it locks securely into the open position.
- 2 Clean the machine's printer platen (1) and the area around it, wiping off any scattered ink with a *dry*, lint-free soft cloth.



Checking the ink volume

Although an ink volume icon appears on the LCD, you can use the **Menu** key to see a large graph showing the ink that is left in each cartridge.

- 1 Press **Menu**.
- 2 Press **▲** or **▼** to choose Ink Management. Press **OK**.
- 3 Press **▲** or **▼** to choose Ink Volume. Press **OK**. The LCD shows the ink volume.
- 4 Press **Stop/Exit**.



Note

You can check the ink volume from your computer. (See *Printing for Windows®* or *Printing and Faxing for Macintosh* in the *Software User's Guide*.)

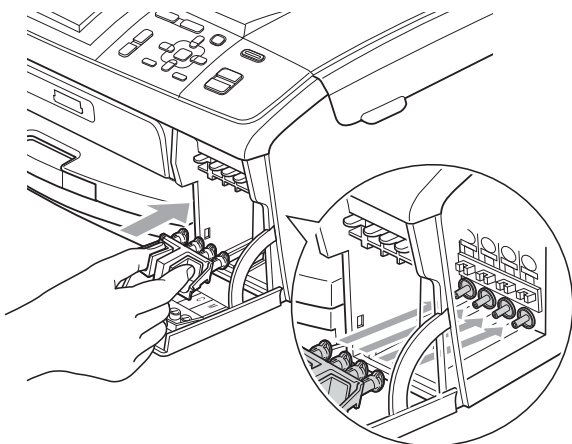
Packing and shipping the machine

When you transport the machine, use the packing materials that came with your machine. Follow the instructions below to correctly pack your machine. Damage caused to your machine during transit is not covered by your warranty.

! IMPORTANT

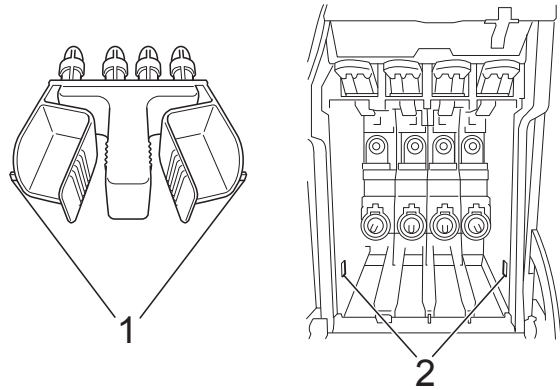
It is important to allow the machine to “park” the print head after a print job. Listen carefully to the machine before unplugging it to make sure that all mechanical noise has stopped. Not allowing the machine to finish this parking process may lead to print problems and possible damage to the print head.

- 1 Open the ink cartridge cover.
- 2 Remove all four ink cartridges. Press the ink release lever above each cartridge to release it.
(See *Replacing the ink cartridges* in appendix A in the *Basic User's Guide*.)
- 3 Install the green protective part and then close the ink cartridge cover.



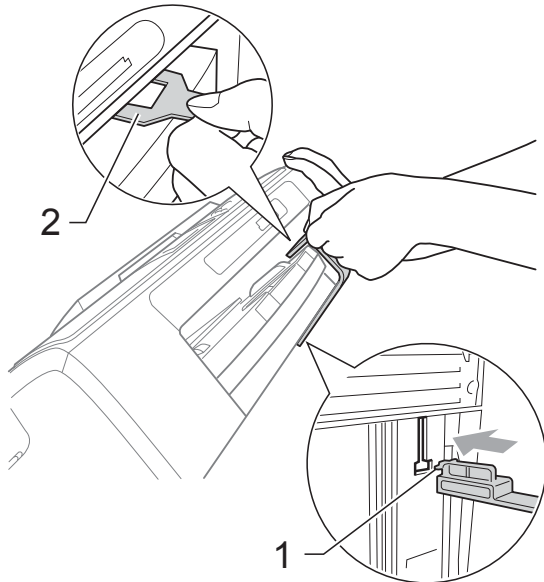
! IMPORTANT

- Make sure that the plastic tabs on both sides of the green protective part (1) have securely clicked into place (2).

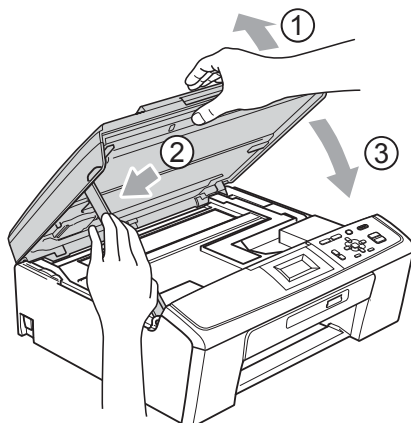


- If you are not able to find the green protective part, DO NOT remove the ink cartridges before shipping. It is essential that the machine be shipped with either the green protective part or the ink cartridges in position. Shipping without them will cause damage to your machine and may void your warranty. When travelling with the ink cartridges still in the machine please keep the machine upright as this will protect the machine from leakage.

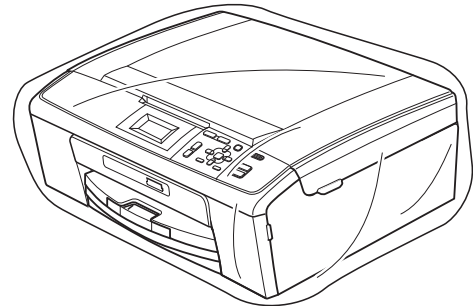
- 4 Lift the front of the machine and hook the long end (1) of the green protective part into the T-shaped hole underneath the machine. Push the forked end (2) onto the top of the paper tray.



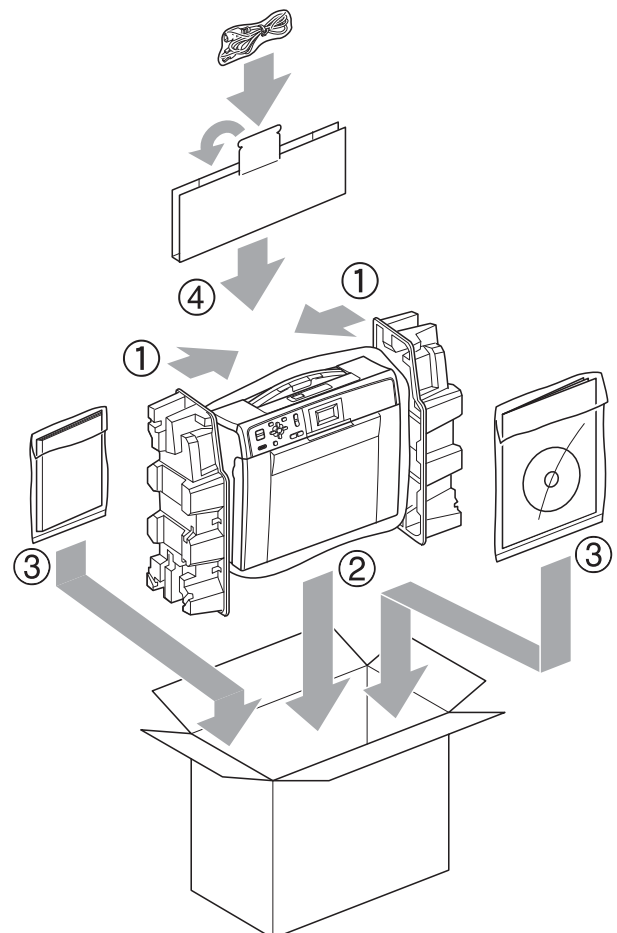
- 5 Unplug the machine from the electrical socket.
- 6 Using both hands, use the plastic tabs on both sides of the machine to lift the scanner cover until it locks securely into the open position. Then unplug the interface cable from the machine, if it is connected.
- 7 Lift the scanner cover to release the lock (1). Gently push the scanner cover support down (2) and close the scanner cover (3).



- 8 Wrap the machine in the bag.



- 9 Pack the machine and the printed materials in the original carton with the original packing material as shown below. Do not pack the used ink cartridges in the carton.



- 10 Close the carton and tape it shut.

B

Glossary

This is a comprehensive list of features and terms that appear in Brother manuals. Availability of these features depends on the model you purchased.

Brightness

Changing the Brightness makes the whole image lighter or darker.

Contrast

Setting to compensate for dark or light documents, by making copies of dark documents lighter and light documents darker.

Density

Changing the Density makes the whole image lighter or darker.

Greyscale

The shades of grey available for copying and scanning.

Help list

A printout of the complete Menu table that you can use to program your machine when you do not have the Basic User's Guide with you.

Innobella™

Innobella™ is a range of genuine consumables offered by Brother. For best quality results Brother recommends Innobella™ Ink and Paper.

LCD (Liquid Crystal Display)

The LCD display on the machine that shows interactive messages during On-Screen Programming.

Menu mode

Programming mode for changing your machine's settings.

PhotoCapture Center™

Allows you to print digital photos from your digital camera at high resolution for photo quality printing.

Scanning

The process of sending an electronic image of a paper document into your computer.

Scan to Media

You can scan a monochrome or colour document into a memory card. Monochrome images can be in TIFF or PDF file format and colour images may be in PDF or JPEG file format.

Temporary settings

You can choose certain options for each copy without changing the default settings.

User Settings

A printed report that shows the current settings of the machine.

WLAN Report

A printed report that shows the result of the WLAN Connection.

A

Apple Macintosh
See Software User's Guide.

C

Cleaning
printer platen 17

ControlCenter
See Software User's Guide.

Copy
density 7
enlarge/reduce 5
page layout (N in 1, poster) 6
quality 4
return to factory settings 8
set new default 7

I

Ink cartridges
checking ink volume 17

L

LCD (Liquid Crystal Display)
Contrast 1
Dim Timer 2
Help List 3
Language 1

M

Macintosh
See Software User's Guide.

Memory storage 1

N

Network
Printing
See Network User's Guide.

Scanning
See Software User's Guide.

P

Packing and shipping the machine 18

PhotoCapture Center™
Borderless 14
Cropping 13
Date Print 14
DPOF printing 11
from PC
See Software User's Guide.

Print settings
Brightness 13
Contrast 13
Paper type & size 12
Quality 12
Return to factory setting 14
Set new default 14

Printing
all photos 11
index 10
photos 10

Scan to Media
memory card 15

Power failure 1

Print
reports 3

R

Reducing copies 5

Reports
Help List 3
how to print 3
Network Configuration 3
User Settings 3
WLAN Report 3

S

Scanning
See Software User's Guide.

Shipping the machine 18

Sleep Mode 1

T

Troubleshooting
checking ink volume 17

W

Windows®
See Software User's Guide.

brother[®]

Visit us on the World Wide Web
<http://www.brother.com>

This machine is approved for use in the country of purchase only. Local Brother companies or their dealers will only support machines purchased in their own countries.