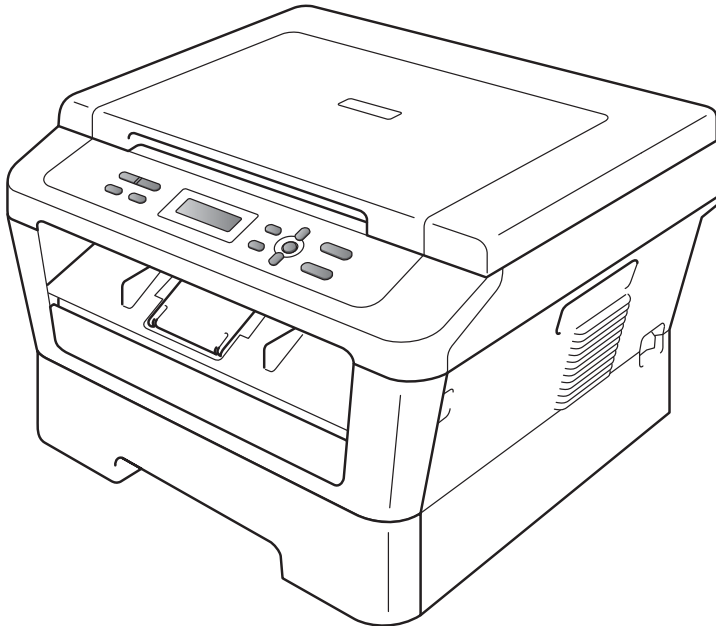


brother®

ADVANCED USER'S GUIDE



**DCP-7055
DCP-7057
DCP-7060D**

Version A

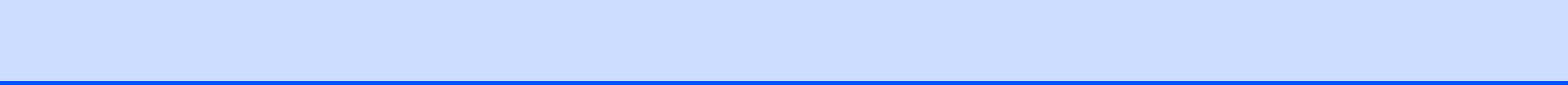
CHN-ENG

User's Guides and where do I find it?

Which manual?	What's in it?	Where is it?
Safety and Legal	Read this Guide first. Please read the Safety Instructions before you set up your machine. See this Guide for trademarks and legal limitations.	For Chinese: Printed / In the box For Chinese English: PDF file / Documentation CD-ROM / In the Box
Quick Setup Guide	Follow the instructions for setting up your machine and installing the drivers and software for the operating system and connection type you are using.	
Basic User's Guide	Learn the basic Copy and Scan operations and how to replace consumables. See troubleshooting tips.	
Advanced User's Guide	Learn more advanced operations: Copy, printing reports, and performing routine maintenance.	PDF file / Documentation CD-ROM / In the Box
Software User's Guide	Follow these instructions for Printing and Scanning. Instructions are included for Network Scanning and using the Brother ControlCenter utility.	

Table of Contents

1	General Setup	1
	Memory Storage	1
	Ecology features	1
	Toner Save	1
	Sleep Mode	1
	Deep Sleep mode	2
	Toner Settings	2
	Toner Setting (Continue Mode)	2
	LCD Contrast	3
	User Settings Report	3
	Scanning using a scanner driver	4
2	Making copies	5
	Copy settings	5
	Stop copying	5
	2 in 1 ID Copy	5
	Using the Options key	6
	Identification copying	8
	Improving copy quality	8
	Adjusting Contrast and Brightness	9
	Enlarging or reducing the image copied	10
	Making N in 1 copies (page layout)	10
	Duplex Copying (1-sided to 2-sided) (For DCP-7060D)	12
	Duplex Copy (long edge flip)	12
	Advanced Duplex Copy (short edge flip)	12
A	Routine maintenance	13
	Cleaning the machine	13
	Checking the machine	13
	Checking the Page Counters	13
	Checking the remaining life of the drum unit	14
	Packing and shipping the machine	14
B	Glossary	16
C	Index	17



Memory Storage

Your menu settings are stored permanently, and in the event of a power failure will *not* be lost. Temporary settings (for example, Contrast) *will* be lost.

Ecology features

Toner Save

You can save toner using this feature. When you set Toner Save to **On**, prints appear lighter. The default setting is **Off**.

- 1 Press **Menu**.
- 2 Press **▲** or **▼** to choose **1.General Setup** and press **OK**.
- 3 Press **▲** or **▼** to choose **2.Ecology** and press **OK**.
- 4 Press **▲** or **▼** to choose **1.Toner Save** and press **OK**.
- 5 Press **▲** or **▼** to choose **On** or **Off** and press **OK**.
- 6 Press **Stop/Exit**.



Note

We do not recommend Toner Save for printing Photo or Greyscale images.

Sleep Mode

The Sleep Mode Setting can reduce power consumption. When the machine is in Sleep Mode (Power Save mode) it acts as if it is turned off. Receiving data or starting an operation wakes up the machine from Sleep mode to Ready mode.

You can choose how long the machine must be idle before it goes into sleep mode. When the machine receives computer data or makes a copy, the timer will be reset. The default setting is 3 minutes.

While the machine is in sleep mode the LCD will show *Sleep*.

- 1 Press **Menu**.
- 2 Press **▲** or **▼** to choose *1.General Setup* and press **OK**.
- 3 Press **▲** or **▼** to choose *2.Ecology* and press **OK**.
- 4 Press **▲** or **▼** to choose *2.Sleep Time* and press **OK**.
- 5 Press **▲** or **▼** to select the length of time the machine is idle before entering sleep mode.
Press **OK**.
- 6 Press **Stop/Exit**.

Deep Sleep mode

If the machine is in Sleep mode and does not receive any jobs for a certain length of time, the machine will automatically enter Deep Sleep mode, and the LCD will show *Deep Sleep*. Deep Sleep mode uses less power than Sleep mode. The machine will wake up and start warming up when the machine receives computer data or when you press a key on the control panel.

Toner Settings

Toner Setting (Continue Mode)

You can set the machine to continue printing after the LCD shows *Replace Toner*. The machine will continue printing until the LCD shows *Toner Ended*. The default setting is *Stop*.

- 1 Press **Menu**.
- 2 Press **▲** or **▼** to choose *1.General Setup* and press **OK**.
- 3 Press **▲** or **▼** to choose *4.Replace Toner* and press **OK**.
- 4 Press **▲** or **▼** to choose *Continue or Stop*, press **OK**.
- 5 Press **Stop/Exit**.



Note

- If you continue printing in the Continue mode, we cannot guarantee the print quality.
 - While using Continue mode the print may appear faint.
-

LCD Contrast

You can change the contrast to make the LCD look lighter or darker.

- 1 Press **Menu**.
- 2 Press **▲** or **▼** to choose 1.General Setup and press **OK**.
- 3 Press **▲** or **▼** to choose 3.LCD Contrast and press **OK**.
- 4 Press **▲** to make the LCD darker. Or, press **▼** to make the LCD lighter. Press **OK**.
- 5 Press **Stop/Exit**.

User Settings Report

You can print a list of the settings you have programmed.

- 1 Press **Menu**.
- 2 Press **▲** or **▼** to choose 3.Machine Info. and press **OK**.
- 3 Press **▲** or **▼** to choose 3.User Settings. Press **OK**.
- 4 Press **Start**.
- 5 Press **Stop/Exit**.

Scanning using a scanner driver

For information about using a scanner driver, see *Scanning a document using the TWAIN driver* or *Scanning a document using the WIA driver* in the *Software User's Guide*.

Copy settings

When you want to quickly change the copy settings temporarily for the next copy, use the temporary **COPY** keys. You can use different combinations.

DCP-7055/DCP-7057



DCP-7060D



The machine returns to its default settings one minute after copying.

Stop copying

To stop copying, press **Stop/Exit**.

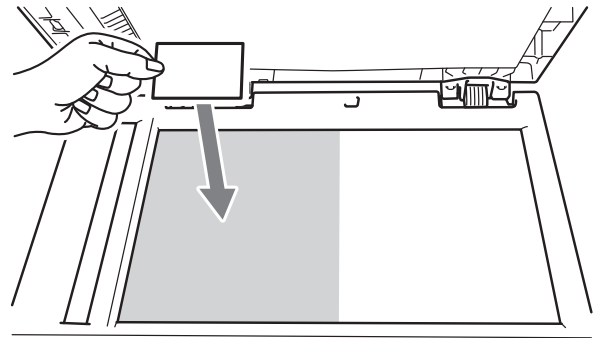
2 in 1 ID Copy

You can copy both sides of your identification card onto one page, keeping the original card size.

Note

- You can copy an identification card to the extent permitted under applicable laws. See *Legal limitations for copying* in the *Safety and Legal booklet*.
- Only A4 or smaller size paper is available.

- Place your identification card *face down* on the left side of the scanner glass.



- Press **2 in 1 (ID) Copy**.
 - Press **Start**.
After the machine scans the first side of the card, the LCD will show the following instruction.
- Turn over the ID
Then Press Start
- Turn over your identification card and place it at the left side of the scanner glass.
 - Press **Start**.
The machine scans the other side of the card and prints the page.

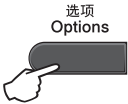
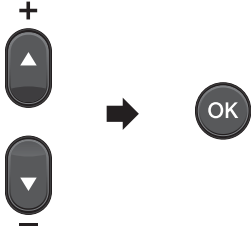
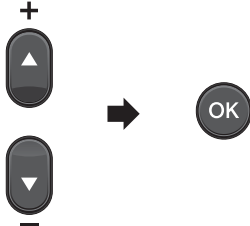


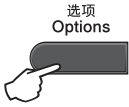
Note

- When 2 in 1 ID Copy is chosen, the machine sets the quality to **Photo** and the contrast to +2 (-□□□□■+).
- You can also choose 2 in 1 (ID) by pressing **Options** key.

Using the Options key

Make sure you are in Copy mode. Use the **Options** key to quickly set the following copy settings temporarily for the next copy.

Press	Menu selections	Options	Page
Press 	Press ▲ or ▼, then press OK 	Press ▲ or ▼, then press OK 	
	Text & Graph	—	8
	Quality	Auto* Text Photo Graph	8
	Brightness	-■□□□+ -□■□□+ -□□■□+* -□□□■+ -□□□□■+	9
	Contrast	-■□□□+ -□■□□+ -□□■□+* -□□□■+ -□□□□■+	9

Press	Menu selections	Options	Page
	Enlarge/Reduce	100%* 97% LTR→A4 94% A4→LTR 91% Full Page 85% LTR→EXE 83% 78% 70% A4→A5 50% Custom (25-400%) 200% 141% A5→A4 104% EXE→LTR	10
	Page Layout	Off (1 in 1)* 2 in 1 (P) ¹ 2 in 1 (L) ¹ 4 in 1 (P) ¹ 4 in 1 (L) ¹	10
		2 in 1 (ID)	5
	Duplex (For DCP-7060D)	Off 1sided→2sided L 1sided→2sided S	12
¹ (P) means Portrait and (L) means Landscape.			
The factory settings are shown in Bold with an asterisk.			

Identification copying

You can copy a photo identification card with a better and suitable quality by using this feature.

- 1 Make sure you are in Copy mode.
- 2 Place the Identification card face down on the scanner glass.
- 3 Press **Options**.
Press ▲ or ▼ to choose `Text & Graph`. Press **OK**.
- 4 Press **Start**.

Note

- When `Text & Graph` is chosen, the machine sets the quality to `Photo` and the contrast to +2 (-□□□□■+).
- After the copying is finished, the machine will go back to Copy mode and the copy settings will return to the settings that you set just before that.

Improving copy quality

You can choose from a range of quality settings. The default setting is `Auto`.

- `Auto`
Auto is the recommended mode for ordinary printouts. Suitable for documents that contain both text and photographs.
- `Text`
Suitable for documents containing mainly text.
- `Photo`
Better copy quality for photographs.
- `Graph`
Suitable for copying receipts.

To *temporarily* change the quality setting, follow the steps below:

- 1 Load your document.
- 2 Press ▲ or ▼ to enter the number of copies you want.
- 3 Press **Options**.
Press ▲ or ▼ to choose `Quality`. Press **OK**.
- 4 Press ▲ or ▼ to choose `Auto`, `Text`, `Photo` or `Graph`. Press **OK**.
- 5 Press **Start**.

To change the *default* setting, follow the steps below:

- 1 Press **Menu**.
- 2 Press ▲ or ▼ to choose `2.Copy`. Press **OK**.
- 3 Press ▲ or ▼ to choose `1.Quality`. Press **OK**.
- 4 Press ▲ or ▼ to choose the copy quality. Press **OK**.
- 5 Press **Stop/Exit**.

Adjusting Contrast and Brightness

Contrast

Adjust the contrast to help an image look sharper and more vivid.

To *temporarily* change the contrast setting, follow the steps below:

- 1 Load your document.
- 2 Press ▲ or ▼ to enter the number of copies you want.
- 3 Press **Options**.
Press ▲ or ▼ to choose `Contrast`.
Press **OK**.
- 4 Press ▲ or ▼ to increase or decrease the contrast.
Press **OK**.
- 5 Press **Start**.

To change the *default* setting follow the steps below:

- 1 Press **Menu**.
- 2 Press ▲ or ▼ to choose `2.Copy`.
Press **OK**.
- 3 Press ▲ or ▼ to choose `3.Contrast`.
Press **OK**.
- 4 Press ▲ or ▼ to increase or decrease the contrast.
Press **OK**.
- 5 Press **Stop/Exit**.

Brightness

Adjust the copy brightness to make copies darker or lighter.

To *temporarily* change the copy brightness setting, follow the steps below:

- 1 Load your document.
- 2 Press ▲ or ▼ to enter the number of copies you want.
- 3 Press **Options**.
Press ▲ or ▼ to choose `Brightness`.
Press **OK**.
- 4 Press ▲ or ▼ to make a lighter copy or a darker copy.
Press **OK**.
- 5 Press **Start**.

To change the *default* setting follow the steps below:

- 1 Press **Menu**.
- 2 Press ▲ or ▼ to choose `2.Copy`.
Press **OK**.
- 3 Press ▲ or ▼ to choose `2.Brightness`.
Press **OK**.
- 4 Press ▲ or ▼ to make a lighter copy or a darker copy.
Press **OK**.
- 5 Press **Stop/Exit**.

Enlarging or reducing the image copied

You can choose the enlargement or reduction ratios.

To enlarge or reduce the next copy follow the instructions below:

- 1 Load your document.
- 2 Press ▲ or ▼ to enter the number of copies you want.
- 3 Press **Options**.
- 4 Press ▲ or ▼ to choose **Enlarge/Reduce**, then press **OK**.
- 5 Do one of the following:
 - Press ▲ or ▼ to choose the enlargement or reduction ratio you want.
Press **OK**.
 - Press ▲ or ▼ to choose **Custom (25-400%)**.
Press **OK**.
Press ▲ or ▼ to enter an enlargement or reduction ratio from 25% to 400%.
Press **OK**.
Custom (25-400%) allows you to enter a ratio from 25% to 400% in 1% increments.
- 6 Press **Start**.

Note

- Page Layout Options 2 in 1 (P), 2 in 1 (L), 2 in 1 (ID), 4 in 1 (P) and 4 in 1 (L) are *not* available with **Enlarge/Reduce**.
- (P) means Portrait and (L) means Landscape.

Making N in 1 copies (page layout)

You can reduce the amount of paper used when copying by using the N in 1 copy feature. This allows you to copy two or four pages onto one page. If you want to copy both sides of an ID card onto one page, see *2 in 1 ID Copy* on page 5.

IMPORTANT

- Please make sure the paper size is set to Letter, A4.
- (P) means Portrait and (L) means Landscape.
- You cannot use the **Enlarge/Reduce** setting with the N in 1 feature.

- 1 Load your document.
- 2 Press ▲ or ▼ to enter the number of copies you want.
- 3 Press **Options**.
Press ▲ or ▼ to choose **Page Layout**.
Press **OK**.
- 4 Press ▲ or ▼ to choose 2 in 1 (P), 2 in 1 (L), 2 in 1 (ID)¹, 4 in 1 (P), 4 in 1 (L) or Off (1 in 1).
Press **OK**.
¹ For details about 2 in 1 (ID), see *2 in 1 ID Copy* on page 5.
- 5 Press **Start** to scan the page.
- 6 After the machine scans the page, press ▲ to scan the next page.

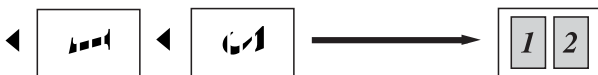
Next Page?
 ▲ Yes ▼ No
- 7 Put the next page on the scanner glass.
Press **OK**.
Repeat steps 6 and 7 for each page of the layout.

- 8 After all the pages have been scanned, press ▼ in step 6 to finish.

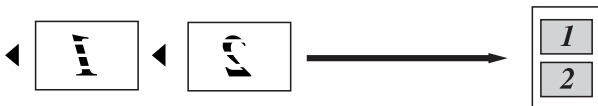
If you are copying from the scanner glass:

Place your document *face down* in the direction shown below:

■ 2 in 1 (P)



■ 2 in 1 (L)



■ 4 in 1 (P)



■ 4 in 1 (L)

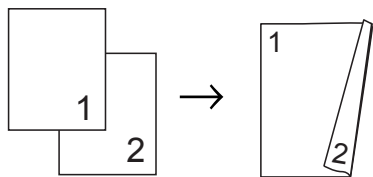


Duplex Copying (1-sided to 2-sided) (For DCP-7060D)

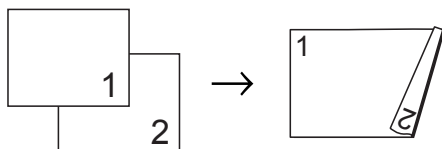
Duplex Copy (long edge flip)

■ 1 sided → 2 sided L

Portrait



Landscape



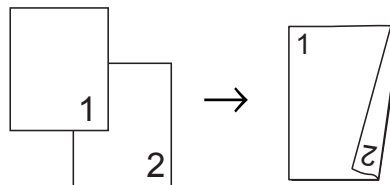
- 1 Load your document.
- 2 Press ▲ or ▼ to enter the number of copies you want.
- 3 Press **Options**. Press ▲ or ▼ to choose Duplex. Press **OK**.
- 4 Press ▲ or ▼ to choose 1sided→2sided L. Press **OK**.
- 5 After the machine scans the page, press ▲ to scan the next page.

Next Page?
 ▲ Yes ▼ No
- 6 Place the next page on the scanner glass. Press **OK**. Repeat steps 5 and 6 for the remaining pages.
- 7 After all the pages have been scanned, press ▼ in step 5 to finish.

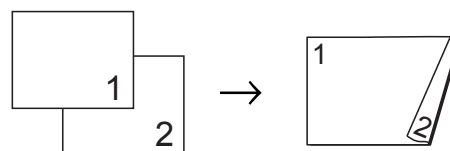
Advanced Duplex Copy (short edge flip)

■ 1 sided → 2 sided S

Portrait



Landscape



- 1 Load your document.
- 2 Press ▲ or ▼ to enter the number of copies you want.
- 3 Press **Options**. Press ▲ or ▼ to choose Duplex. Press **OK**.
- 4 Press ▲ or ▼ to choose 1sided→2sided S. Press **OK**.
- 5 After the machine scans the page, press ▲ to scan the next page.

Next Page?
 ▲ Yes ▼ No
- 6 Place the next page on the scanner glass. Press **OK**. Repeat steps 5 and 6 for the remaining pages.
- 7 After all the pages have been scanned, press ▼ in step 5 to finish.

A

Routine maintenance

Cleaning the machine

Clean the outside and inside of the machine regularly with a dry, lint-free soft cloth. When you replace the toner cartridge or the drum unit, make sure that you clean the inside of the machine. For details about cleaning the machine, see the *Basic User's Guide*.

WARNING

DO NOT use cleaning materials that contain ammonia, alcohol, any type of spray, or any type of flammable substance to clean the outside or inside of the machine. Doing this may cause a fire or electrical shock.

See *To use the product safely* in the *Safety and Legal* booklet for how to clean the machine.



Be careful not to inhale toner.

IMPORTANT

Use neutral detergents. Cleaning with volatile liquids such as thinner or benzine will damage the surface of the machine.

Checking the machine

Checking the Page Counters

You can see the machine's Page Counters for copies, printed pages, reports and lists or a summary total.

- 1 Press **Menu**.
- 2 Press **▲** or **▼** to choose 3.Machine Info..
Press **OK**.
- 3 Press **▲** or **▼** to choose 2.Page Counter.
Press **OK**.
- 4 Press **▲** or **▼** to see Total, List, Copy or Print.
- 5 Press **Stop/Exit**.

A

Checking the remaining life of the drum unit

You can see the machine's parts life on the LCD.

- 1 Press **Menu**.
- 2 Press **▲** or **▼** to choose 3.Machine Info..
Press **OK**.
- 3 Press **▲** or **▼** to choose 4.Drum Life.
Press **OK**.
- 4 Press **Stop/Exit**.



Note

The life check will be accurate only if you have reset the part counter when you installed a new part. It will not be accurate if that part's life counter was reset during the life of the used part.

Packing and shipping the machine

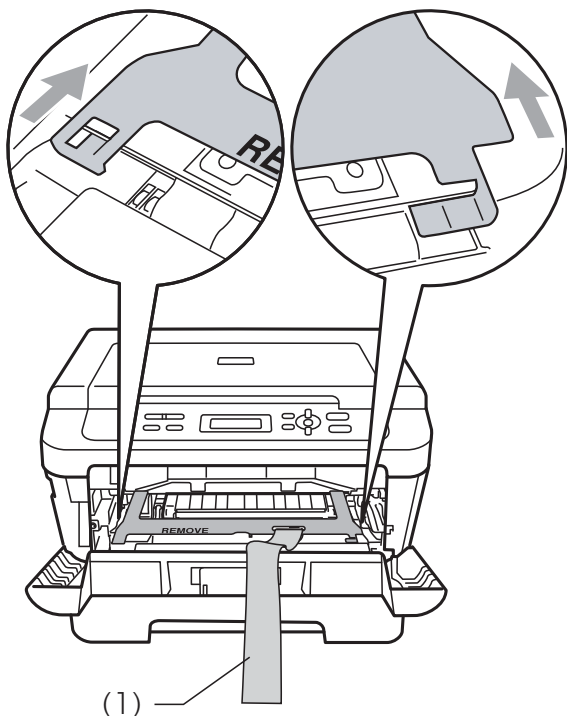


Note

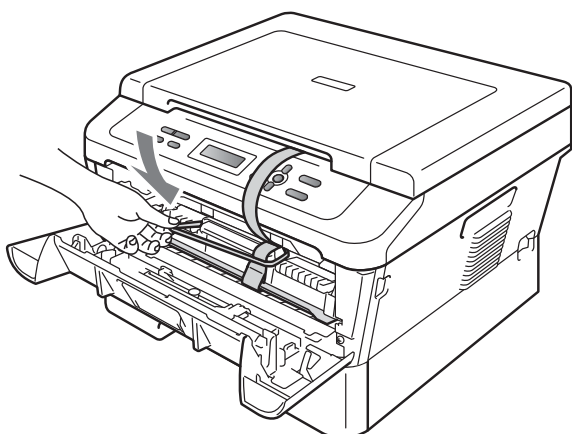
If for any reason you must ship your machine, carefully repack the machine in the original packaging to avoid any damage during transit. The machine should be adequately insured with the carrier.

- 1 Turn off the machine. Disconnect all the cables, and then unplug the power cord from the AC power outlet. Leave the machine turned off for at least 10 minutes to cool down.
- 2 Open the front cover.
- 3 Remove the drum unit and toner cartridge assembly. Leave the toner cartridge installed in the drum unit.

- 4 Put the protective material (1) in the machine with the "REMOVE" text to the left, as shown in the illustration.

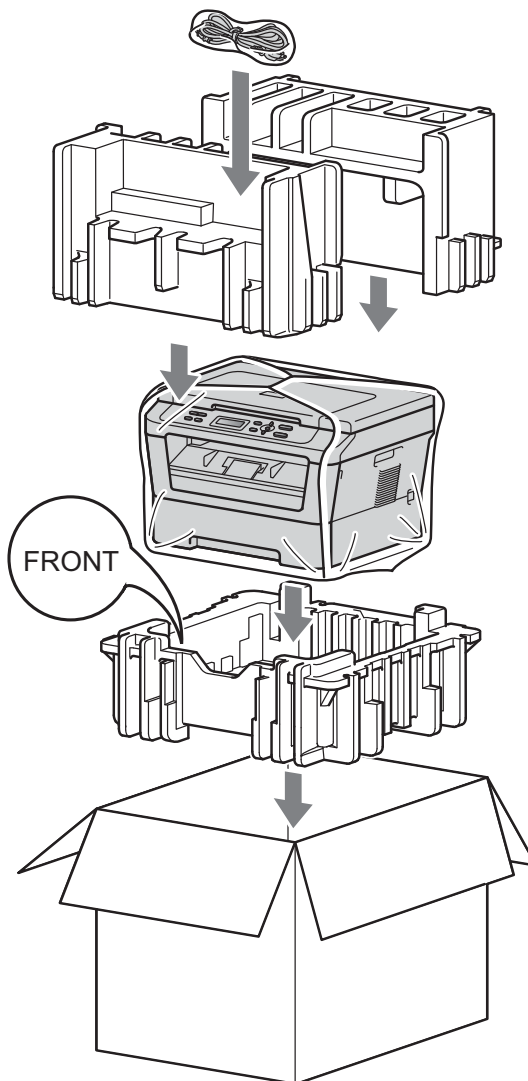


- 5 Put the drum unit and toner cartridge assembly back into the machine.
- 6 Put the elastic band over the handle of the drum unit, as shown in the illustration.



- 7 Close the front cover.
- 8 Put the machine into the bag it originally came in.

- 9 Pack the AC cord and printed materials in the original carton as shown below:



- 10 Close the carton and tape it shut.

A

B

Glossary

This is a comprehensive list of features and terms that appear in Brother manuals. Availability of these features depends on the model you purchased.

Cancel Job

Cancels a programmed print job and clears the machine's memory.

Contrast

Setting to compensate for dark or light documents, by making copies of dark documents lighter and light documents darker.

Greyscale

The shades of grey available for copying photographs.

LCD (liquid crystal display)

The display screen on the machine that shows interactive messages during On-Screen Programming and shows the date and time when the machine is idle.

Menu mode

Programming mode for changing your machine's settings.

OCR (optical character recognition)

Presto! PageManager software application converts an image of text to text you can edit.

Resolution

The number of vertical and horizontal lines per inch.

Scanning

The process of sending an electronic image of a paper document into your computer.

Temporary settings

You can choose certain options for each copy without changing the default settings.

User Settings Report

A printed report that shows the current settings of the machine.

C

Index

C

Copy	
2 in 1 ID Copy	5
brightness	9
Contrast	9
Enlarge/Reduce	10
keys	5
N in 1 (page layout)	10
Options key	6
quality	8
temporary settings	5

D

Deep Sleep mode	2
Drum unit	
checking (remaining life)	14
Duplex copy	12

E

Enlarge/Reduce	10
----------------------	----

L

LCD (liquid crystal display)	
Contrast	3

M

Machine information	
checking remaining life of parts	14
page counts	13
Maintenance, routine	13
checking the remaining life of parts	14
Memory	
storage	1

N

N in 1 (page layout)	10
----------------------------	----

P

Packing the machine	14
Page layout (N in 1)	10

Power failure	1
---------------------	---

Q

Quality	
copying	6, 8

R

Reducing	
copies	10

S

Safety Instructions	i
Sleep mode	1

T

Temporary copy settings	5
Toner Save	1
Toner Setting (Continue Mode)	2

brother®

These machines are approved for use in the country of purchase only. Local Brother companies or their dealers will only support machines purchased in their own countries.