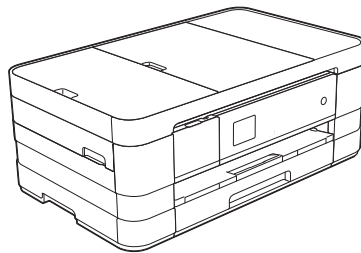


Please read the Product Safety Guide first before you set up your machine. Then, please read this Quick Setup Guide for the correct setup and installation.

⚠ WARNING	<u>WARNING</u> indicates a potentially hazardous situation which, if not avoided, could result in death or serious injuries.
⚠ CAUTION	<u>CAUTION</u> indicates a potentially hazardous situation which, if not avoided, may result in minor or moderate injuries.
IMPORTANT	<u>IMPORTANT</u> indicates a potentially hazardous situation which, if not avoided, may result in damage to property or loss of product functionality.
NOTE	Notes tell you how you should respond to a situation that may arise or give tips about how the operation works with other features.

1 Unpack the machine

■ Most of the illustrations in this Quick Setup Guide show the MFC-J4410DW.



⚠ WARNING

Plastic bags are used in the packing of your machine. To avoid the danger of suffocation, keep these plastic bags away from babies and children. Plastic bags are not toys.

a Remove the protective tape and film covering the machine, and also from the Touchscreen.

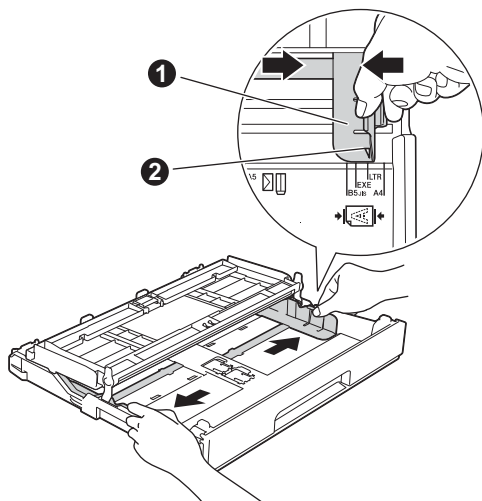
2 Load plain A4 paper

CAUTION

DO NOT carry the machine by holding the scanner cover or the Jam Clear Cover. Doing this may cause the machine to slip out of your hands. Only carry the machine by placing your hands under the entire machine.

For detailed information, see the *Product Safety Guide*.

- a** Pull the paper tray (for MFC-J4610DW, paper tray #1), completely out of the machine.
- b** Open the output paper tray cover.
- c** Gently press and slide the paper guides **1** to fit the paper size. Make sure that the triangular mark **2** on the paper guide **1** lines up with the mark for the paper size you are using.



- d** Fan the stack of paper well to avoid paper jams and misfeeds.

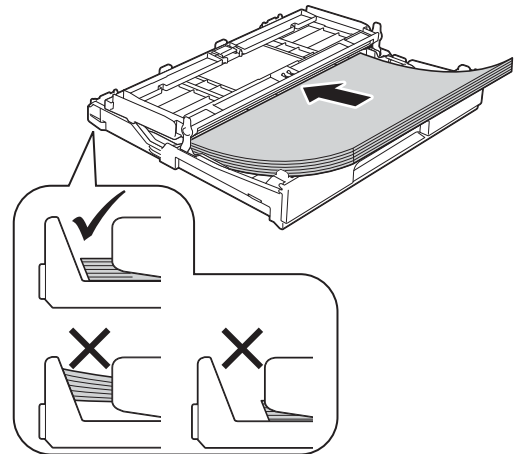
NOTE

Always make sure that the paper is not curled or wrinkled.

- e** Gently put the paper into the paper tray (for MFC-J4610DW, tray #1) print side down and top edge first.

IMPORTANT

Be careful that you do not push the paper in too far; it may lift at the back of the tray and cause paper feed problems.



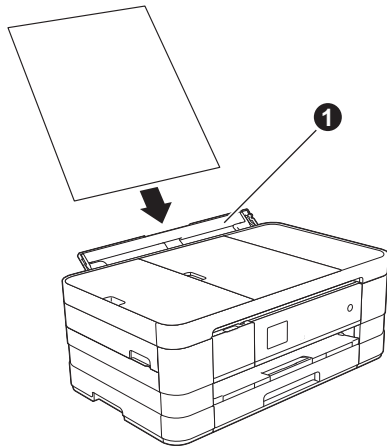
- f** Gently adjust the paper guides to fit the paper. Make sure that the paper guides touch the edges of the paper.
- g** Check that the paper is flat in the tray and below the maximum paper mark. Close the output paper tray cover.
- h** *Slowly* push the paper tray completely into the machine.

- i** While holding the paper tray in place, pull out the paper support until it clicks, and then unfold the paper support flap.

NOTE

- For printing and copying on special media, open the manual feed slot ❶ on the back of the machine. Feed only one sheet at a time of A3, Ledger, Legal, envelopes, or thicker paper when using the manual feed slot.

For details, see Loading paper in the manual feed slot in chapter 2 of the Basic User's Guide.



- (MFC-J4610DW)
For information about tray #2, see Loading paper in paper tray #2 in chapter 2 of the Basic User's Guide.

3

Connect the power cord and telephone line

! WARNING



- The machine must be fitted with an earthed plug.
- Since the machine is grounded through the power outlet, you can protect yourself from potentially hazardous electrical conditions on the telephone network by keeping the power cord connected to your machine when you connect it to a telephone line. Similarly, you can protect yourself when you want to move your machine by disconnecting the telephone line first and then the power cord.

IMPORTANT

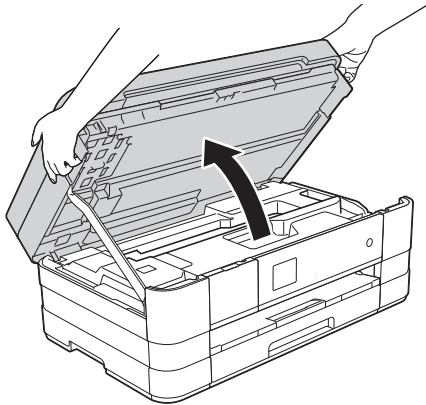
DO NOT connect the USB cable yet (if you are using a USB cable).

- a** Connect the power cord.

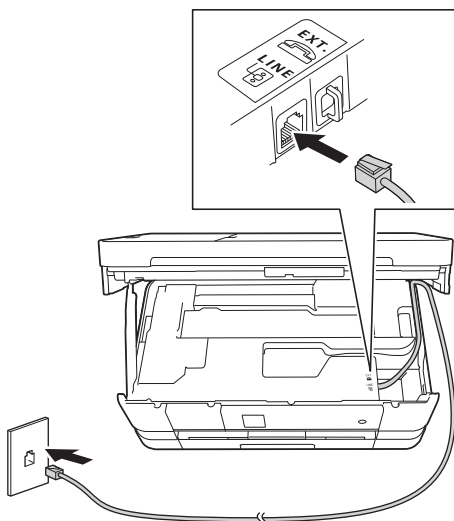
NOTE

- If you do not plan to use the fax feature on this machine, go to step 4 on page 4.
- To prolong print head life, provide the best ink cartridge economy and maintain print quality, we do not recommend frequently unplugging the machine and/or leaving the machine unplugged for extended periods of time. We recommend using  to power down the machine. Using  allows minimal power to the machine, which ensures periodic cleaning of the print head.

- b** Lift the scanner cover until it locks securely into the open position.



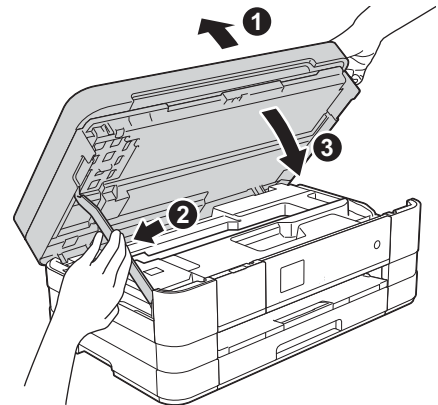
- c** Connect the telephone line cord. Connect one end of the telephone line cord to the socket of the machine marked **LINE**. Carefully guide the telephone line cord into the cable channel and out the back of the machine. Connect the other end to a modular wall socket.



IMPORTANT

*The telephone line cord MUST be connected to the socket of the machine marked **LINE**.*

- d** Lift the scanner cover to release the lock ①. Gently push the scanner cover support down ② and close the scanner cover ③ using both hands.



4 Install the ink cartridges

CAUTION

If ink gets in your eyes, wash it out with water at once and call a doctor if you are concerned.

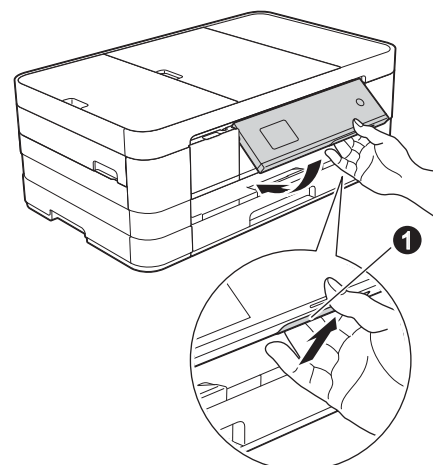
NOTE

Make sure you install the Introductory Ink Cartridges included with your machine first.

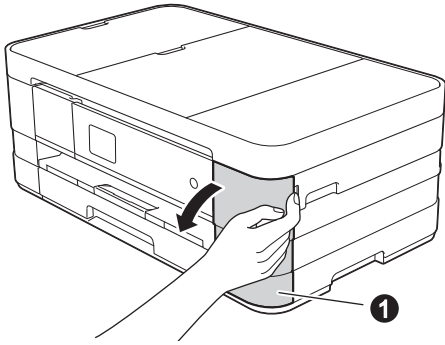
- a** Make sure that the power is turned on.

NOTE

You can adjust the angle of the control panel by lifting it. When lowering the control panel, make sure you push the release button ① that is located behind the mark.

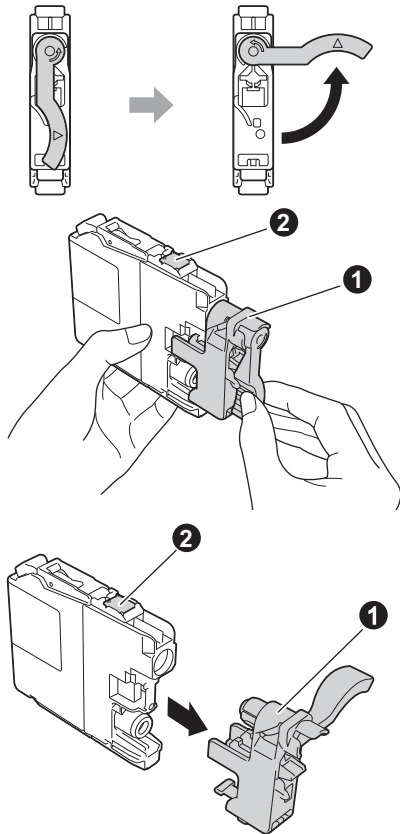


- b** Open the ink cartridge cover ①.



- c** Remove the orange protective part.

- d** Unpack the ink cartridge.
Turn the green release lever on the orange protective packing ① counterclockwise until it clicks to release the vacuum seal. Then remove the orange protective packing ① as shown.



IMPORTANT

- **DO NOT** shake the ink cartridges. If ink stains your skin or clothing, wash with soap or detergent at once.
- **DO NOT** touch the cartridge in the area indicated ②, as this can cause the machine not to function with the cartridge.

- e** Take care to match the sticker colour with the cartridge colour.
Install each ink cartridge in the direction of the arrow on the label.

- f** Gently push the back of the ink cartridge marked "PUSH" until the cartridge lever lifts. After all the ink cartridges are installed close the ink cartridge cover.

NOTE

The machine will prepare the ink tube system for printing. This process will take approximately four minutes. Do not turn off the machine.

5 Check the print quality

NOTE

Make sure you put paper in the paper tray (for MFC-J4610DW, tray #1) for the initial setup.

- a** When the preparation process has finished, the Touchscreen shows **Set Paper** and **Press Start**.
Press Start.
- b** Check the quality of the four colour blocks on the sheet. (black/yellow/cyan/magenta)
- c** If all lines are clear and visible, press **Yes** to finish the quality check and go to the next step. If you can see missing short lines, press **No** and follow the steps on the Touchscreen.

6 Set the paper settings (MFC-J4610DW)

For your machine to produce the best print quality and to feed the correct paper size, the paper type and size must be set to match the paper in the tray.

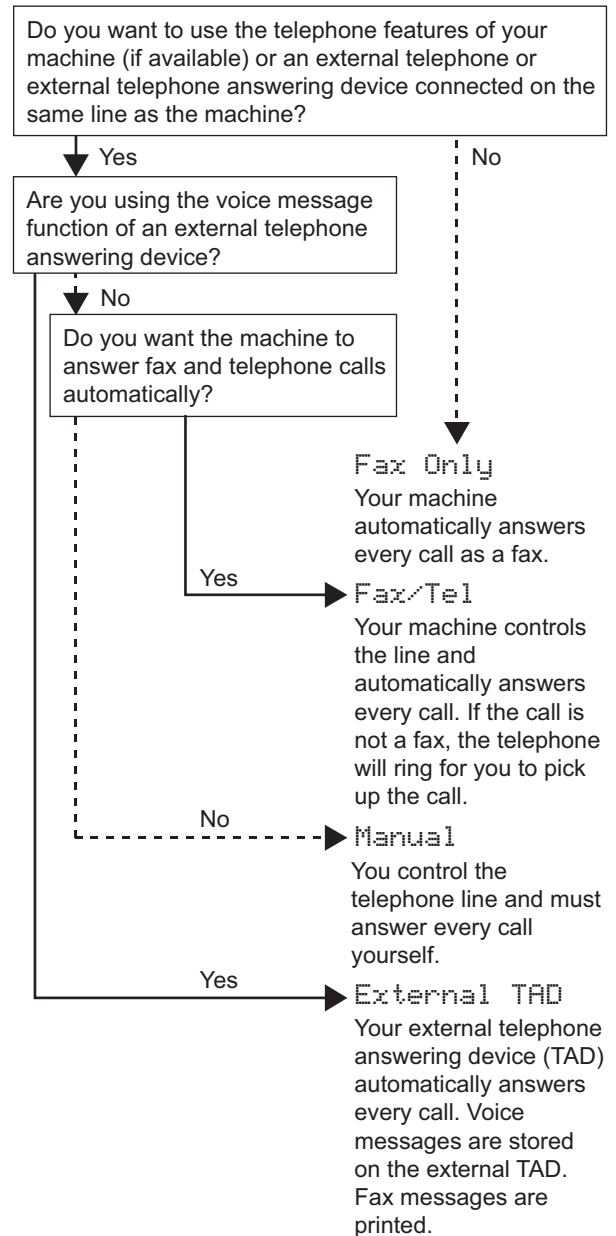
- a** When `Tray Setting` appears on the Touchscreen, press `Tray Setting` to set the paper size and paper type.
- b** Press `Tray #1` to set paper size and paper type for tray #1, or press `Tray #2` to set paper size for tray #2.
- c** Press the size and type of paper you are using.
- d** Press `OK`.

7 Choose your language (if needed)

- a** Press `Settings`.
- b** Press `^` or `v` to display `Initial Setup`. Press `Initial Setup`.
- c** Press `^` or `v` to display `Local Language`. Press `Local Language`.
- d** Press your language.
- e** Press `Home`.

8 Choose a Receive Mode

There are four possible receive modes: `Fax Only`, `Fax/Tel`, `Manual` and `External TAD`.



- a** Press `Settings`.
- b** Press `^` or `v` to display `Initial Setup`. Press `Initial Setup`.
- c** Press `Receive Mode`.
- d** Press `^` or `v` to display `Fax Only`, `Fax/Tel`, `External TAD` or `Manual`. Press the desired receive mode.
- e** Press `Home`.

9 Set the date and time

- a** Press **Settings**.
- b** Press **^** or **v** to display **Initial Setup**. Press **Initial Setup**.
- c** Press **Date & Time**.
- d** Press **Date & Time**. Enter the last two digits of the year on the Touchscreen, and then press **OK**. To move the cursor to the left, press **⌫** and re-enter the number.
- e** Repeat for month/day/time in 24-hour format.
- f** Press **🏠**.

10 Enter personal information (Station ID)

You should store your name and fax number to be printed on all fax pages that you send.

- a** Press **Settings**.
- b** Press **^** or **v** to display **Initial Setup**. Press **Initial Setup**.
- c** Press **^** or **v** to display **Station ID**. Press **Station ID**.
- d** Enter your fax number (up to 20 digits) on the Touchscreen, and then press **OK**.
- e** Enter your name (up to 20 characters) using the Touchscreen, and then press **OK**.
- f** Press **🏠**.

NOTE

If you make a mistake and want to start again, press **🏠** and go back to **a**.

11 Set Tone or Pulse dialling mode

- a** Press **Settings**.
- b** Press **^** or **v** to display **Initial Setup**. Press **Initial Setup**.
- c** Press **^** or **v** to display **Tone/Pulse**. Press **Tone/Pulse**.
- d** Press **Pulse (or Tone)**.
- e** Press **🏠**.

12 Set the telephone line type

- a** Press **Settings**.
- b** Press **^** or **v** to display **Initial Setup**. Press **Initial Setup**.
- c** Press **^** or **v** to display **Phone Line Set**. Press **Phone Line Set**.
- d** Press **^** or **v** to display **Normal, PBX or ISDN**. Press the desired telephone line type.

NOTE

If you choose **PBX** the machine will then ask you to set the **Dial Prefix**. >>> **Basic User's Guide: Setting the Telephone Line Type**


- e** Press **🏠**.

13 Set the telephone line compatibility (VoIP)

If you are connecting the machine to a VoIP service (over the Internet) you need to change the compatibility setting.


NOTE

If you are using an analogue telephone line you can skip this step.

- a** Press `Settings`.
- b** Press `^` or `v` to display `Initial Setup`. Press `Initial Setup`.
- c** Press `^` or `v` to display `Compatibility`. Press `Compatibility`.
- d** Press `^` or `v` to display `Basic(for VoIP)`. Press `Basic(for VoIP)`.
- e** Press .


14 Automatic Daylight Savings Time

You can set the machine to change automatically for daylight savings time. It will set the time forward one hour in the spring and backward one hour in the fall.

- a** Press `Settings`.
- b** Press `^` or `v` to display `Initial Setup`. Press `Initial Setup`.
- c** Press `Date & Time`.
- d** Press `^` or `v` to display `Auto Daylight`. Press `Auto Daylight`.
- e** Press `On (or Off)`.
- f** Press .

15 Set the Time Zone

You can set the time zone on the machine for your location.

- a** Press `Settings`.
- b** Press `^` or `v` to display `Initial Setup`. Press `Initial Setup`.
- c** Press `Date & Time`.
- d** Press `^` or `v` to display `Time Zone`. Press `Time Zone`.
- e** Enter your time zone. Press `OK`.
- f** Press .

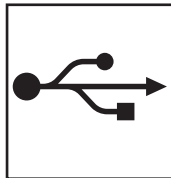
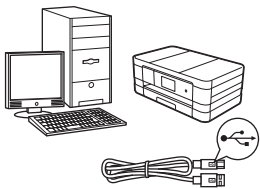
16

Choose your connection type

These installation instructions are for Windows® XP Home, XP Professional, XP Professional x64 Edition, Windows Vista®, Windows® 7, and Mac OS X v10.5.8, 10.6.x, 10.7.x.

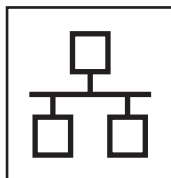
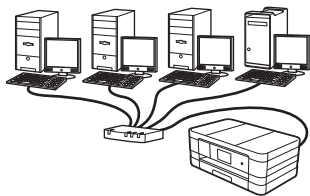
NOTE

- For Windows Server® 2003/2008/2008 R2, the drivers can be found from your model's download page at <http://solutions.brother.com/>.
- If your computer does not have a CD-ROM drive you can download the latest drivers, manuals and utilities for your model from the Brother Solutions Center at <http://solutions.brother.com/>. Some software applications included on the CD-ROM may not be available as a download.



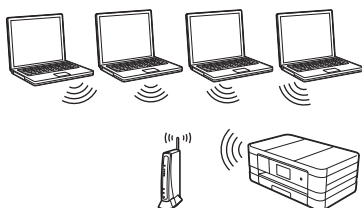
For USB interface cable

Windows®, go to page 10
Macintosh, go to page 12



For Wired Network

Windows®, go to page 14
Macintosh, go to page 16



For Wireless Network

Windows® and Macintosh,
go to page 18

Windows®
USB
Macintosh

Windows®
Wired Network
Macintosh

Wireless Network



For USB interface users

(Windows® XP Home/XP Professional/Windows Vista®/Windows® 7)

17 Before you install

Make sure that your computer is ON and you are logged on with Administrator rights.

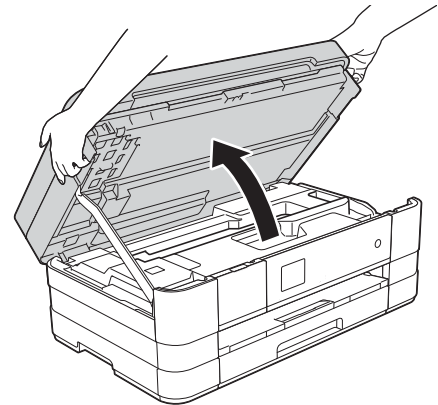
18 Install MFL-Pro Suite

- a** Put the supplied installation CD-ROM into your CD-ROM drive. Follow the on-screen instructions.
- b** The CD-ROM Top menu will appear. Click **Install MFL-Pro Suite** and click **Yes** if you accept the license agreements. Follow the on-screen instructions.
- c** Choose **Local Connection (USB)**, and then click **Next**. The installation continues.
- d** When this screen appears, go to the next step.

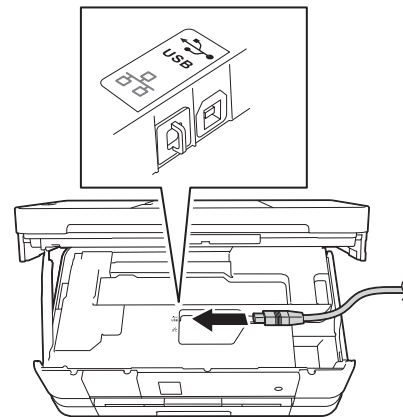


19 Connect the USB cable

a

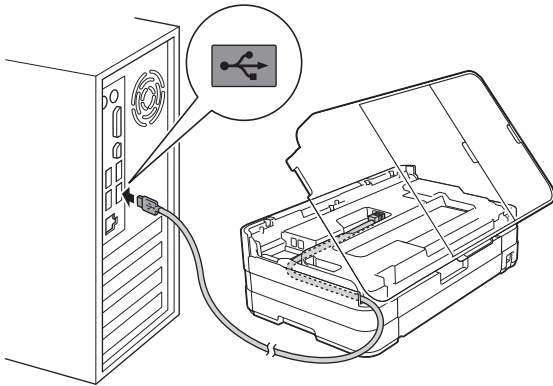


b





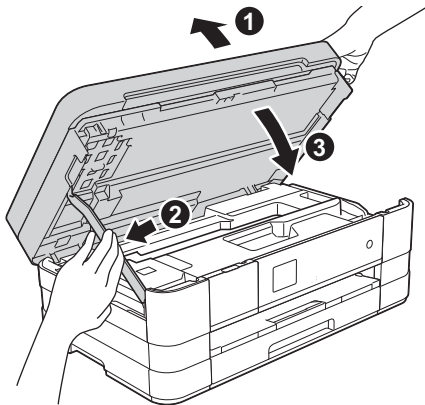
c



IMPORTANT

Make sure that the cable does not restrict the cover from closing, or an error may occur.

d



e The installation will continue automatically. The installation screens appear one after another.

f If **Environmental Advice for Imaging Equipment** screen appears, click **Next**.

g When the **On-Line Registration** screen is displayed, follow the on-screen instructions. Click **Next**.

h If you do not want to set your machine as the default printer, uncheck **Set as Default Printer** and click **Next**.

20 Finish and restart

a Click **Finish** to restart your computer. After restarting the computer, you must log on with Administrator rights.

b The following screens will appear.

- When the **Software Update Setting** screen appears, choose the software update setting you want and click **OK**.
- When the Brother Product Research and Support Program screen appears, select your preference and follow the on-screen instructions.

NOTE

Internet access is required for the software update and the Brother Product Research & Support Program.

Finish

The installation is now complete.

To install optional applications:

Now go to

Page 26

NOTE

XML Paper Specification Printer Driver
The XML Paper Specification Printer Driver is the most suitable driver for Windows Vista® and Windows® 7 when printing from applications that use the XML Paper Specification documents. Please download the latest driver by accessing the Brother Solutions Center at <http://solutions.brother.com/>.



For USB interface users (Mac OS X v10.5.8, 10.6.x, 10.7.x)

17 Before you install

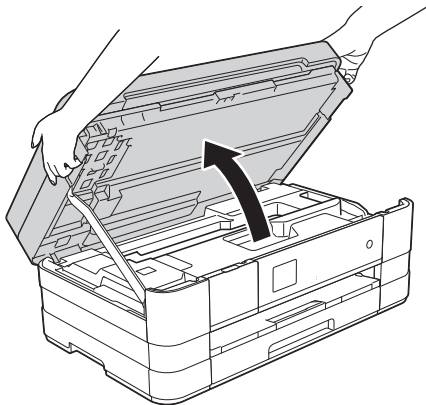
Make sure your machine is connected to the power and your Macintosh is ON. You must be logged on with Administrator rights.

18 Connect the USB cable

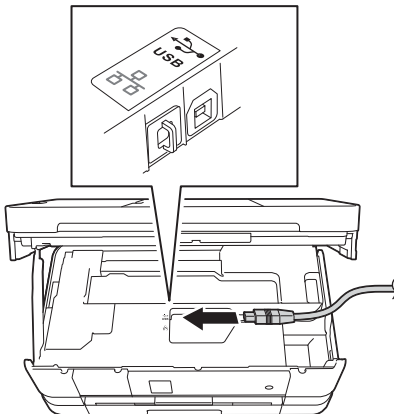
IMPORTANT

- *DO NOT* connect the machine to a USB port on a keyboard or a non-powered USB hub.
- Connect the machine directly to your Macintosh.

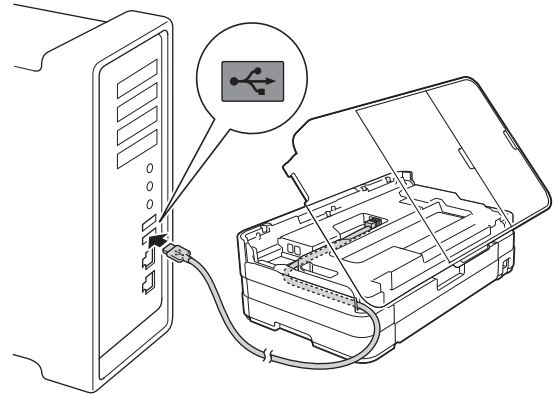
a



b



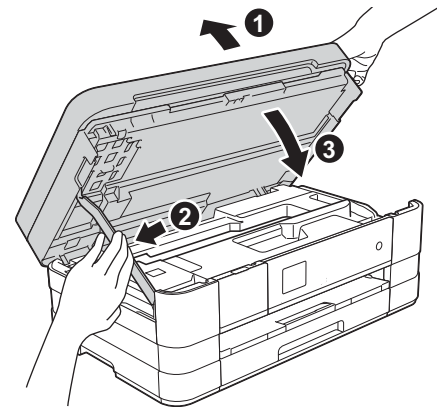
c



IMPORTANT

Make sure that the cable does not restrict the cover from closing, or an error may occur.

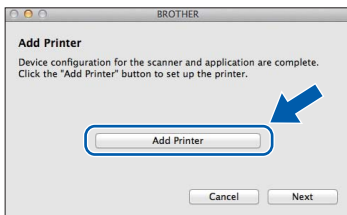
d



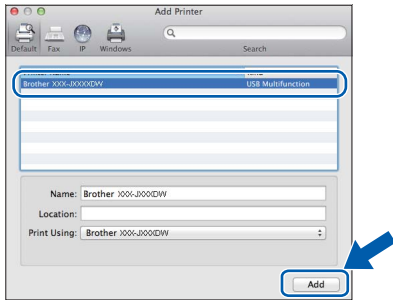


19 Install MFL-Pro Suite

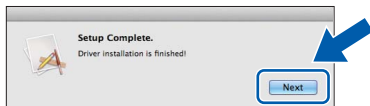
- a** Put the supplied installation CD-ROM into your CD-ROM drive.
- b** Double-click the **Start Here OSX** icon to install. If the model name screen appears, choose your machine.
- c** Choose **Local Connection (USB)**, and then click **Next**. Follow the on-screen instructions.
- d** Please wait for the software to install. After the installation, the Brother software will search for the Brother device. This will take a few moments to complete.
- e** Choose your machine from the list, and then click **OK**.
- f** When this screen appears, click **Add Printer**.



Choose your machine from the list. Click **Add** and then click **Next**.

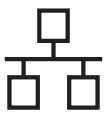


- g** When this screen appears, click **Next**.



Finish

The installation is now complete.



For wired network interface users

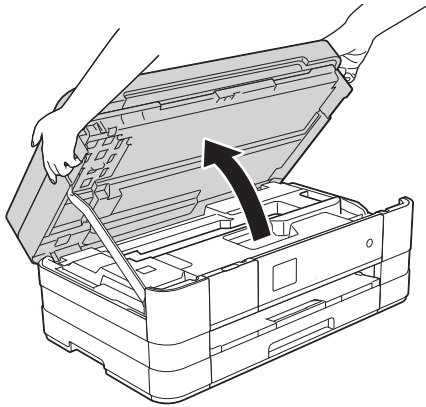
(Windows® XP Home/XP Professional/Windows Vista®/Windows® 7)

17 Before you install

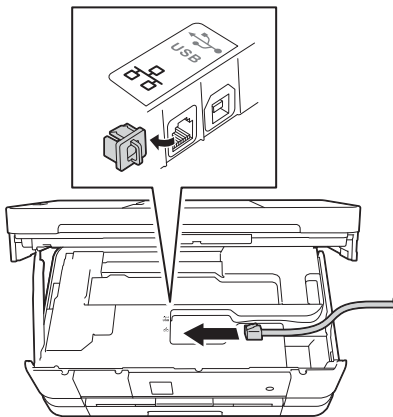
Make sure that your computer is ON and you are logged on with Administrator rights.

18 Connect the network cable

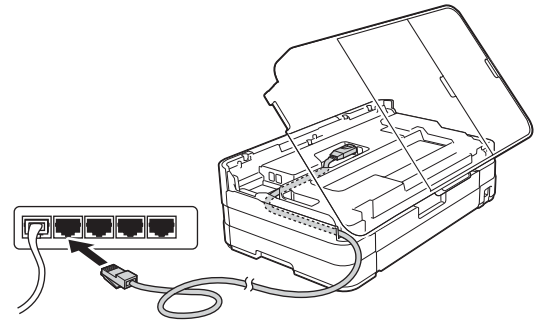
a



b



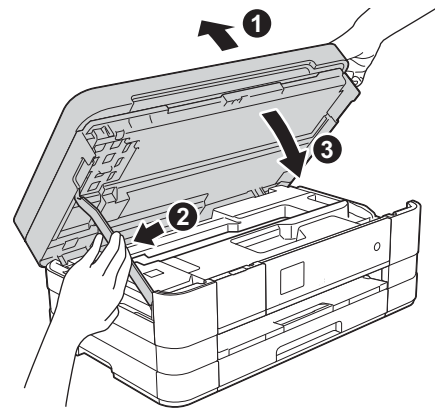
c



IMPORTANT

Make sure that the cable does not restrict the cover from closing, or an error may occur.

d





19 Install MFL-Pro Suite

- a** Put the supplied installation CD-ROM into your CD-ROM drive. Follow the on-screen instructions.
- b** The CD-ROM Top menu will appear. Click **Install MFL-Pro Suite** and click **Yes** if you accept the license agreements. Follow the on-screen instructions.
- c** Choose **Wired Network Connection (Ethernet)**, and then click **Next**.
- d** When **Firewall/AntiVirus detected** screen appears, choose **Change the Firewall port settings to enable network connection and continue with the installation. (Recommended)** and click **Next**.

If you are using a firewall other than the Windows® Firewall, see the instructions provided with your firewall software for information on how to add the following network ports.

- For network scanning, add UDP port 54925.
- For network PC-Fax receiving, add UDP port 54926.
- If you still have trouble with your network connection, add UDP ports 137 and 161.

NOTE

- If there is more than one machine connected to the network, choose your machine from the list, and then click **Next**.
- If your machine is not found over the network, confirm your settings by following the on-screen instructions.

- e** The installation of the Brother drivers will automatically start. The installation screens appear one after another.
- f** If **Environmental Advice for Imaging Equipment** screen appears, click **Next**.
- g** When the **On-Line Registration** screen is displayed, follow the on-screen instructions. Click **Next**.
- h** If you do not want to set your machine as the default printer, uncheck **Set as Default Printer** and click **Next**.

20 Finish and restart

- a** Click **Finish** to restart your computer. After restarting the computer, you must log on with Administrator rights.
- b** The following screens will appear.
 - When the **Software Update Setting** screen appears, choose the software update setting you want and click **OK**.
 - When the Brother Product Research and Support Program screen appears, select your preference and follow the on-screen instructions.

NOTE

Internet access is required for the software update and the Brother Product Research & Support Program.

Finish

The installation is now complete.

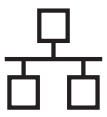
To install optional applications:

Now go to

Page 26

NOTE

XML Paper Specification Printer Driver
The XML Paper Specification Printer Driver is the most suitable driver for Windows Vista® and Windows® 7 when printing from applications that use the XML Paper Specification documents. Please download the latest driver by accessing the Brother Solutions Center at <http://solutions.brother.com/>.



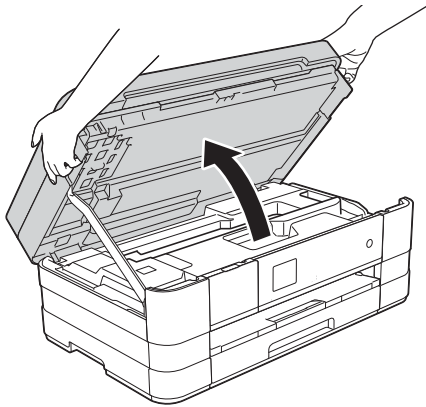
For wired network interface users (Mac OS X v10.5.8, 10.6.x, 10.7.x)

17 Before you install

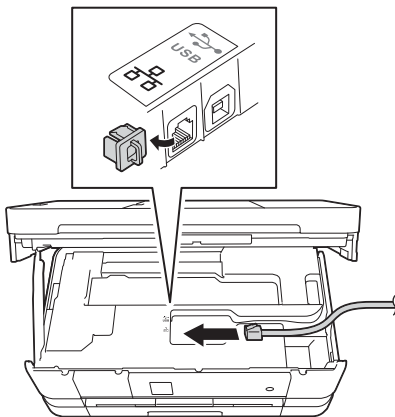
Make sure your machine is connected to the power and your Macintosh is ON. You must be logged on with Administrator rights.

18 Connect the network cable

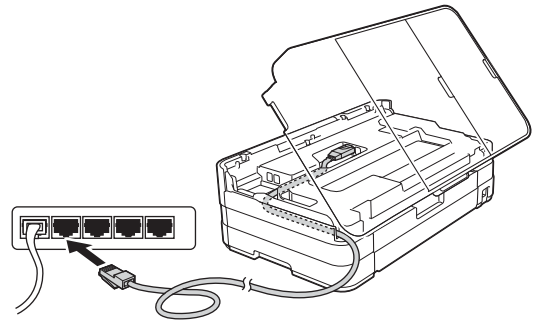
a



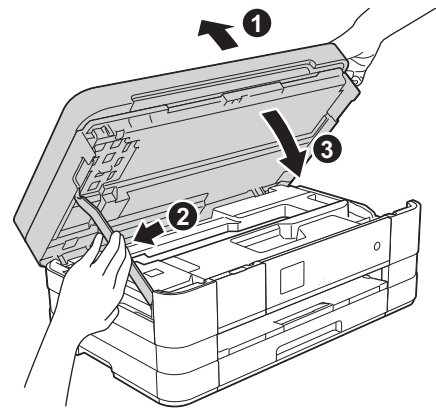
b



c



d



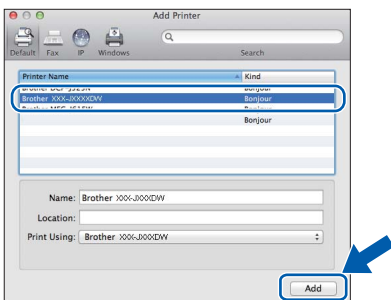


19 Install MFL-Pro Suite

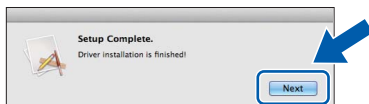
- a** Put the supplied installation CD-ROM into your CD-ROM drive.
- b** Double-click the **Start Here OSX** icon to install. If the model name screen appears, choose your machine.
- c** Choose **Wired Network Connection (Ethernet)**, and then click **Next**. Follow the on-screen instructions.
- d** Please wait for the software to install. After the installation, the Brother software will search for the Brother device. This will take a few moments to complete.
- e** If the machine is configured for your network, choose your machine from the list, and then click **OK**.
- f** When this screen appears, click **Add Printer**.



Choose your machine from the list. Click **Add** and then click **Next**.



- g** When this screen appears, click **Next**.



Finish

The installation is now complete.



For wireless network interface users

17 Before you begin

Although your Brother machine can be used in both a wired and wireless network, only one of the connection methods can be used at a time.

NOTE

If you have previously configured the wireless settings of the machine you must reset the network settings before you can configure the wireless settings again.

*On your machine, press **Settings**.*

*Press **▲** or **▼** to display **Network**. Press **Network**.*

*Press **▲** or **▼** to display **Network Reset**. Press **Network Reset**.*

*Press **Yes** to accept. Hold down **Yes** for 2 seconds to confirm.*

NOTE

To set up your machine in Ad-hoc mode (connected to a wireless-capable computer without an access point/router) you can find instructions in the Network User's Guide on the CD-ROM.

You can view the Network User's Guide by following the instructions below.

1 Turn on your computer. Insert the CD-ROM into your CD-ROM drive.

For Windows®:

2 Choose your model and the language. The CD-ROM top menu will appear.

*3 Click **User's Guides**, and then click **PDF documents**.*

4 Click Network User's Guide.

For Macintosh:

*2 Double-click **User's Guides**. Choose your model and the language.*

*3 Click **User's Guides**, and then click Network User's Guide.*

18 Choose your wireless setup method

The following instructions offer three methods for setting up your Brother machine on a wireless network. Choose the method you prefer for your environment.

a Setup using the installation CD-ROM and a USB cable (Windows® and Macintosh)

You need to temporarily use a USB cable during configuration (cable not included).

It is recommended that you use a computer wirelessly connected to your network for this method.

If you are using Windows® XP, or currently using a computer connected to an access point/router by network cable, you need to know your wireless settings. Please write down your wireless network settings in the area on page 19.

Now go to

page 20



SSID (Network Name) / Network Key

Please do not contact Brother Customer Service for assistance without the wireless security information. We cannot assist you in locating your network security settings.

Item	Record the current wireless network settings
SSID (Network Name)	
Network Key	

* The Network Key may also be described as the Password, Security Key or Encryption Key.

NOTE

If you do not know this information (SSID and Network Key), you cannot continue the wireless setup.

How can I find this information?

- 1) You should see the documentation provided with your wireless access point/router.
- 2) The initial SSID could be the manufacturer's name or the model name.
- 3) If you do not know the security information, please consult the router manufacturer, your system administrator or internet provider.

For method **b**, start your wireless setup by pressing the Wi-Fi button on the Touchscreen.



b Manual setup from the control panel using the Setup Wizard (Windows®, Macintosh and mobile devices)

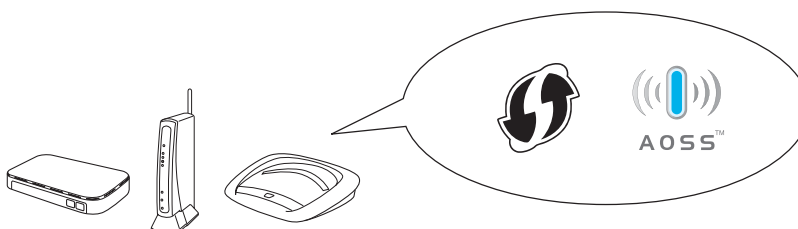
If your wireless access point/router does not support WPS (Wi-Fi Protected Setup™) or AOSS™, **write down the wireless network settings** of your wireless access point/router in the area above.

Now go to

page 22

c One-push setup using WPS or AOSS™ (Windows®, Macintosh and mobile devices)

If your wireless access point/router supports automatic wireless (one-push) setup (WPS or AOSS™), you can find instructions in the *Network User's Guide* on the CD-ROM. To set up your machine in any other wireless environment (Ad-hoc mode) you can find instructions in the *Network User's Guide* on the CD-ROM.





19 Setup using the installation CD-ROM and a USB cable (Windows® and Macintosh)

These steps are for a Windows® installation. For Macintosh installation, insert the installation CD-ROM into your CD-ROM drive and double-click Start Here OSX to install. Select **Wireless** installation and follow the **Wireless Device Setup** instructions on your computer screen.

a Put the supplied installation CD-ROM into your CD-ROM drive. Follow the on-screen instructions.

b The CD-ROM Top menu will appear. Click **Install MFL-Pro Suite** and click **Yes** if you accept the license agreements. Follow the on-screen instructions.

c Choose **Wireless Network Connection**, and then click **Next**.

d When **Firewall/AntiVirus detected** screen appears, choose **Change the Firewall port settings to enable network connection and continue with the installation. (Recommended)** and click **Next**.

If you are using a firewall other than the Windows® Firewall, see the instructions provided with your firewall software for information on how to add the following network ports.

- For network scanning, add UDP port 54925.
- For network PC-Fax receiving, add UDP port 54926.
- If you still have trouble with your network connection, add UDP ports 137 and 161.

e Choose **Yes, I have a USB cable to use for installation.** and then click **Next**.

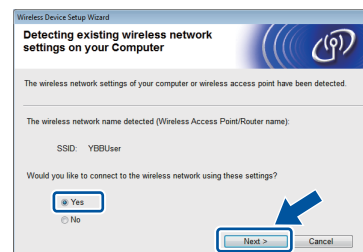
f Temporarily connect the USB cable (not included) directly to the computer and the machine.

If the confirmation screen appears, check the box and click **Next**, go to **g**. Otherwise, go to **h**.

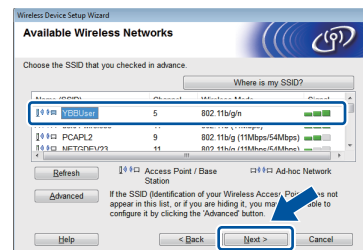
NOTE

- For instructions on connecting the USB cable to the USB port of your machine, see *Connect the USB cable on page 10*.
- If the **Important Notice** appears, check the box after you confirm the SSID and Network Key, and then click **Next**.

g When the following screen appears, check **Yes** if you want to connect to the listed SSID. Click **Next** and go to **j**.



h When the following screen appears, the wizard will search for wireless networks available to your machine. Choose the SSID that you wrote down for your network on page 18, and then click **Next**.



NOTE

- If a list of SSIDs is not displayed, make sure your access point is on and set to broadcast the SSID. Make sure the machine and the access point are within communication range, then click **Refresh**.
- If your access point is set to not broadcast the SSID you can manually add it by clicking the **Advanced** button. Follow the on-screen instructions for entering the **Name (SSID)**, and then click **Next**.



i Enter the **Network Key** you wrote down on page 18, and then click **Next**.

NOTE

*If your network is not configured for Authentication and Encryption, the following screen will appear. To continue configuration, click **OK** and go to **j**.*



j Click **Next**. The settings will be sent to your machine.

NOTE

- *The settings will remain unchanged if you click **Cancel**.*
- *If you want to manually enter the IP address settings of your machine, click **Change IP Address** and enter the necessary IP address settings for your network.*
- *If the wireless setup failure screen appears, click **Retry**.*

k Disconnect the USB cable between the computer and the machine.

l Click **Next** to continue to install MFL-Pro Suite.

OK! **Wireless setup is now complete. The Wi-Fi button at the upper right of the Touchscreen changes to a four-level indicator that displays the wireless signal strength of your access point/router.**

The Wi-Fi LED  on the control panel lights up, indicating that the machine's Network I/F is set to WLAN.

To install MFL-Pro Suite

For Windows® users:

Now go to

Step **21-e** on page 23

For Macintosh users:

Now go to

Step **21-d** on page 25



19 Manual setup from the control panel using the Setup Wizard (Windows®, Macintosh and mobile devices)

a Press . Press Setup Wizard.

When Network I/F switched to Wireless. is displayed, press Yes to accept. This will start the wireless setup wizard. To cancel, press No.

b The machine will search for available SSIDs. It will take several seconds to display a list of available SSIDs. If a list of SSIDs is displayed, press ^ or v to choose the SSID you wrote down on page 19. Select the SSID you want to connect with.

If the wireless access point/router of the selected SSID supports WPS and the machine asks to use WPS, go to **c**. If the machine asks you to enter a Network Key, go to **d**. Otherwise, go to **e**.

NOTE

- If a list of SSIDs is not displayed, make sure your access point is on. Move your machine closer to the access point and try starting from **a** again.
- If your access point is set to not broadcast the SSID, you will have to manually add the SSID name. For details, see the Network User's Guide.

c Press Yes to connect your machine using WPS. (If you choose No to continue manual configuration, go to **d** to enter a Network Key.) When the Touchscreen indicates you should start WPS, press the WPS button on your wireless access point/router, and then press Next to proceed. Go to **e**.

d Enter the Network Key you wrote down on page 19 using the Touchscreen. The letters appear in this order: lower case and then upper case. Press to cycle between letters, numbers and special characters. (The characters available may differ depending on your country.) To move the cursor to the right, press ▶. (For more information, see *Entering Text for Wireless Settings* on page 27.)

Press OK when you have entered all the characters, then press Yes to apply your settings.

e Your machine will now try to connect to your wireless network. It may take a few minutes.

f A connection result message appears for 60 seconds on the Touchscreen and a WLAN report will automatically be printed.



Wireless setup is now complete. The Wi-Fi button at the upper right of the Touchscreen changes to a four-level indicator that displays the wireless signal strength of your access point/router.

The Wi-Fi LED on the control panel lights up, indicating that the machine's Network I/F is set to WLAN.

NOTE

For Mobile Device users, please go to the User's Guide for the application you are using (Ex. AirPrint, Brother iPrint&Scan or other applications) for additional details on how to use your machine with the application. To download the User's Guide for the application you are using, please go to the manuals download selection on your model's home page of the Brother Solutions Center at <http://solutions.brother.com/>.

To install MFL-Pro Suite, continue to step 20.

For Windows® users:

Now go to

Page 23

For Macintosh users:

Now go to

Page 25



Install the drivers & software

(Windows® XP Home/XP Professional/Windows Vista®/Windows® 7)

20 Before you install

Make sure that your computer is ON and you are logged on with Administrator rights.

21 Install MFL-Pro Suite

a Put the supplied installation CD-ROM into your CD-ROM drive. Follow the on-screen instructions.

b The CD-ROM Top menu will appear. Click **Install MFL-Pro Suite** and click **Yes** if you accept the license agreements. Follow the on-screen instructions.

c Choose **Wireless Network Connection**, and then click **Next**.

d When **Firewall/AntiVirus detected** screen appears, choose **Change the Firewall port settings to enable network connection and continue with the installation. (Recommended)** and click **Next**.

If you are using a firewall other than the Windows® Firewall, see the instructions provided with your firewall software for information on how to add the following network ports.

- For network scanning, add UDP port 54925.
- For network PC-Fax receiving, add UDP port 54926.
- If you still have trouble with your network connection, add UDP ports 137 and 161.

e Choose your machine from the list, and then click **Next**.

NOTE

- If your machine is not found over the network, confirm your settings by following the on-screen instructions. If you encounter this failure, go to step **18-b** on page 19 and setup the wireless connection again.
- If you are using WEP and the Touchscreen displayed *Connected* but your machine is not found on the network, make sure you entered the WEP key correctly. The WEP key is case sensitive.

f The installation of the Brother drivers will automatically start. The installation screens appear one after another.

g If **Environmental Advice for Imaging Equipment** screen appears, click **Next**.

h When the **On-Line Registration** screen is displayed, follow the on-screen instructions. Click **Next**.

i If you do not want to set your machine as the default printer, uncheck **Set as Default Printer** and click **Next**.



22 Finish and restart

- a** Click **Finish** to restart your computer. After restarting the computer, you must log on with Administrator rights.
- b** The following screens will appear.
 - When the **Software Update Setting** screen appears, choose the software update setting you want and click **OK**.
 - When the Brother Product Research and Support Program screen appears, select your preference and follow the on-screen instructions.

NOTE

Internet access is required for the software update and the Brother Product Research & Support Program.

Finish

The installation is now complete.

To install optional applications:

Now go to

Page 26

NOTE

XML Paper Specification Printer Driver
The XML Paper Specification Printer Driver is the most suitable driver for Windows Vista® and Windows® 7 when printing from applications that use the XML Paper Specification documents. Please download the latest driver by accessing the Brother Solutions Center at <http://solutions.brother.com/>.



Install the drivers & software (Mac OS X v10.5.8, 10.6.x, 10.7.x)

20 Before you install

Make sure your machine is connected to the power and your Macintosh is ON. You must be logged on with Administrator rights.

21 Install MFL-Pro Suite

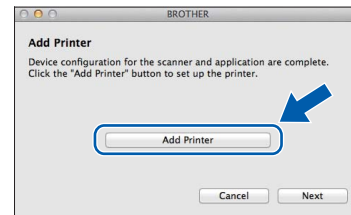
- a** Put the supplied installation CD-ROM into your CD-ROM drive.
- b** Double-click the **Start Here OSX** icon to install. If the model name screen appears, choose your machine.
- c** Choose **Wireless Network Connection**, and then click **Next**.
- d** Choose your machine from the list, and then click **Next**.

NOTE

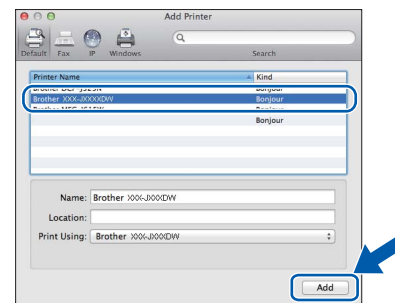
*If your wireless settings fail, the **Wireless Device Setup Wizard** screen appears. Follow the on-screen instructions to complete the wireless configuration.*

- e** Choose your machine from the list, and then click **OK**.
- f** The installation of the Brother drivers will automatically start. Please wait for the software to install.

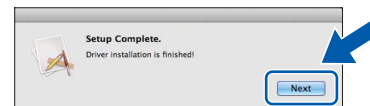
- g** When this screen appears, click **Add Printer**.



Choose your machine from the list. Click **Add** and then click **Next**.



- h** When this screen appears, click **Next**.



Finish

The installation is now complete.

1

Install optional applications

You can install the following applications.

FaceFilter Studio and BookScan & Whiteboard Suite supported by Reallusion, Inc


NOTE

- *The machine must be ON and connected to the computer.*
- *Some applications require Internet access.*
- *Make sure you are logged on with Administrator rights.*
- *This application is not available for Windows Server® 2003/2008 series.*

- a** Open the top menu again by ejecting and then reinserting the CD-ROM or by double-clicking the **start.exe** program from the root folder.
- b** The CD-ROM Top menu will appear. Choose your language and then click **Additional Applications**.
- c** Click the button for the application you want to install.
- d** Go back to the **Additional Applications** screen to install more applications.


2

Install FaceFilter Studio Help

- a** To run FaceFilter Studio, go to  **Start/All Programs/Reallusion/FaceFilter Studio** on your computer.

- b** Click **Check for Updates** on the screen.

NOTE

You can also go to the Reallusion update web page by clicking the  button in the upper right corner of this screen.

- c** Click the **Download** button and choose a folder to save the file in.
- d** Close FaceFilter Studio before you start the installer for FaceFilter Studio Help. Double-click the downloaded file from the folder you specified and follow the on-screen instructions for installation.

NOTE

*To view the complete FaceFilter Studio Help, go to  **Start/All Programs/Reallusion/FaceFilter Studio/FaceFilter Studio Help** on your computer.*


Reset the network settings to factory default

To restore all network settings of the internal Print/Scan server to the factory default, please follow the steps below.




- a** Make sure the machine is idle, then disconnect all the cables from the machine (except the power cord).
- b** Press `Settings`.
- c** Press `^` or `v` to display `Network`, and then press `Network`.
- d** Press `^` or `v` to display `Network Reset`, and then press `Network Reset`.
- e** Press `Yes`.
- f** Hold down `Yes` for 2 seconds to confirm.
- g** The machine will restart, re-connect the cables once this is complete.

Entering Text for Wireless Settings

Up to four letters are assigned to each letter button on the Touchscreen. By pressing the correct button repeatedly, you can access the character you want.

Press  to cycle between letters, numbers and special characters. (The characters available may differ depending on your country.)


Inserting spaces

To enter a space, press  then press the space button  or .

Repeating characters

If you need to enter a character that is on the same button as the character before, press `▶` to move the cursor to the right.

Making corrections

If you entered a character incorrectly and want to change it, press  to delete it and re-enter the correct character.

Trademarks

The Brother logo is a registered trademark of Brother Industries, Ltd.

Brother is a trademark of Brother Industries, Ltd.

Windows, Windows Vista and Windows Server are either registered trademarks or trademarks of Microsoft Corporation in the United States and/or other countries.

Macintosh and Mac OS are trademarks of Apple Inc., registered in the United States and other countries.

Nuance, the Nuance logo, PaperPort and ScanSoft are trademarks or registered trademarks of Nuance Communications, Inc. or its affiliates in the United States and/or other countries.

FaceFilter Studio is a trademark of Reallusion, Inc.

AOSS is a trademark of Buffalo Inc.

Wi-Fi and Wi-Fi Protected Access (WPA) are registered trademarks of the Wi-Fi Alliance.

Wi-Fi Protected Setup and Wi-Fi Protected Access 2 (WPA2) are trademarks of the Wi-Fi Alliance.

Each company whose software title is mentioned in this manual has a Software License Agreement specific to its proprietary programs.

Any trade names and product names of companies appearing on Brother products, related documents and any other materials are all trademarks or registered trademarks of those respective companies.

Compilation and Publication

Under the supervision of Brother Industries, Ltd., this manual has been compiled and published, covering the latest product descriptions and specifications.

The contents of this manual and the specifications of this product are subject to change without notice.

Brother reserves the right to make changes without notice in the specifications and materials contained herein and shall not be responsible for any damages (including consequential) caused by reliance on the materials presented, including but not limited to typographical and other errors relating to the publication.

Copyright and License

©2012 Brother Industries, Ltd. All rights reserved.

This product includes software developed by the following vendors:

©1983-1998 PACIFIC SOFTWARES, INC. ALL RIGHTS RESERVED.

©2008 Devicescape Software, Inc. All rights reserved.

This product includes the "KASAGO TCP/IP" software developed by ZUKEN ELMIC, Inc.



Get inspired. If you're using Windows[®], double-click the Brother CreativeCenter icon on your desktop to access our FREE website with many ideas and resources for personal and professional use.

Mac users can access Brother CreativeCenter at this web address: <http://www.brother.com/creativecenter/>



www.brotherearth.com

brother[®]