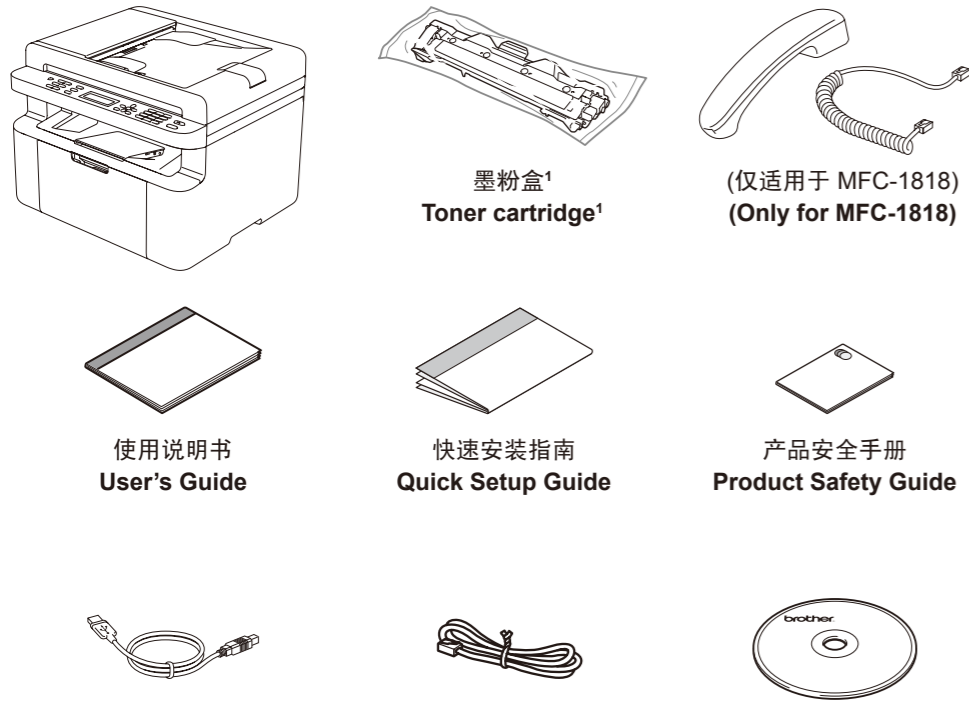
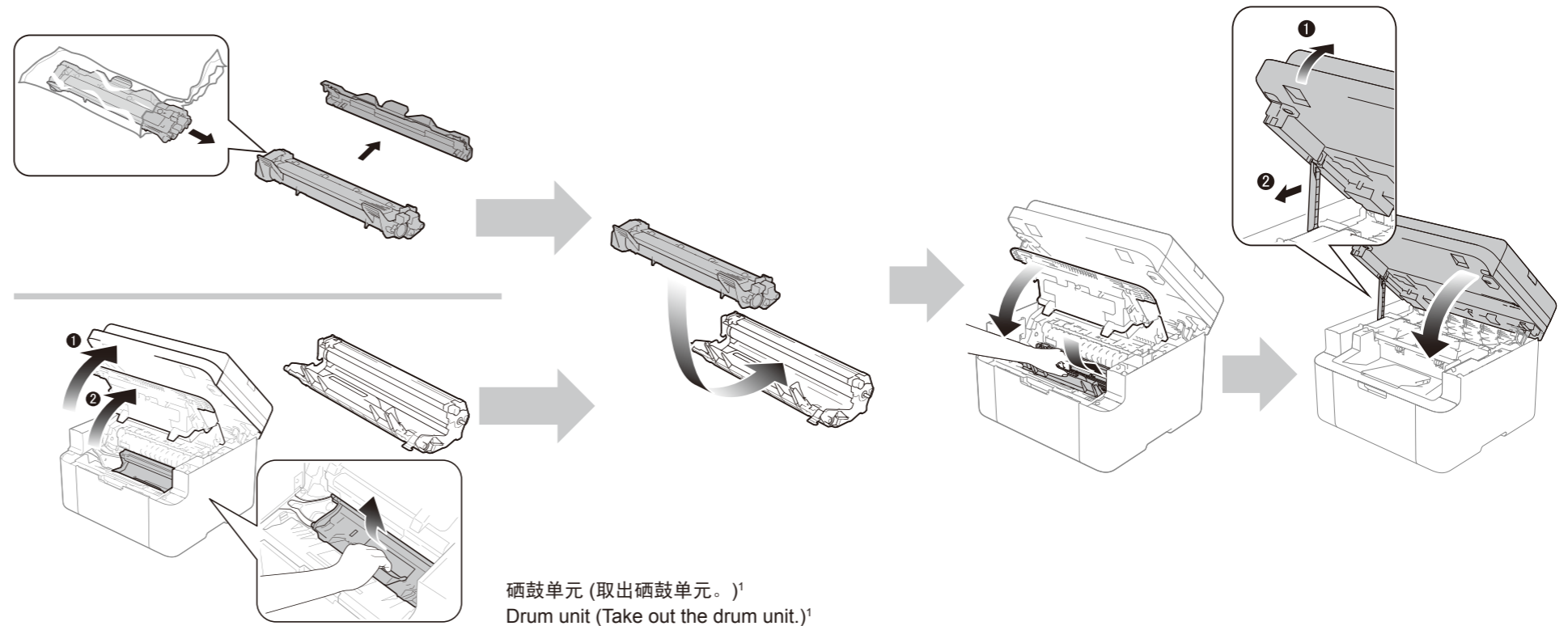


# 1 检查组件 Checking the components

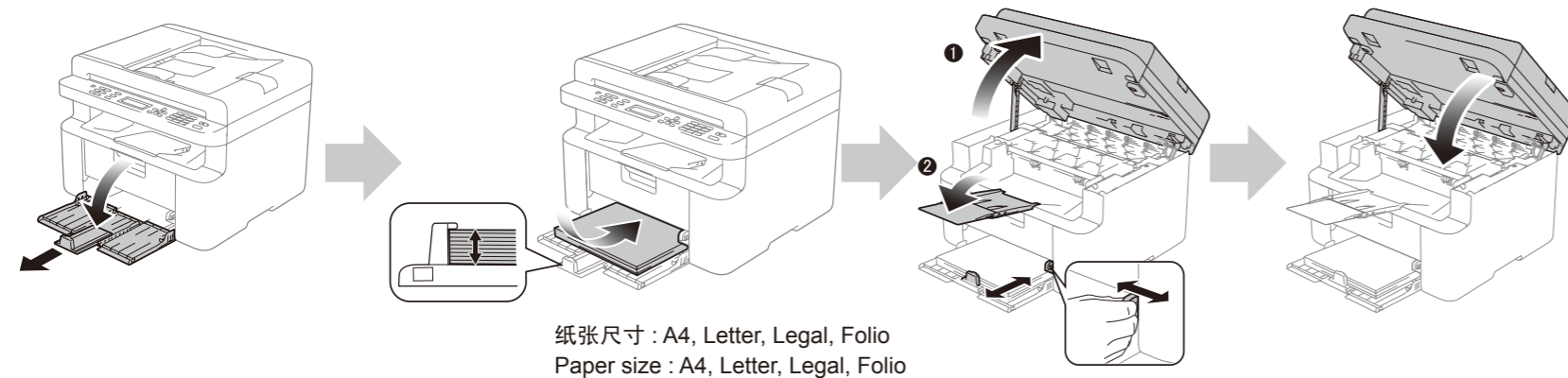


为安全起见，请先阅读产品安全手册。  
Please read the Product Safety Guide first for your safety.

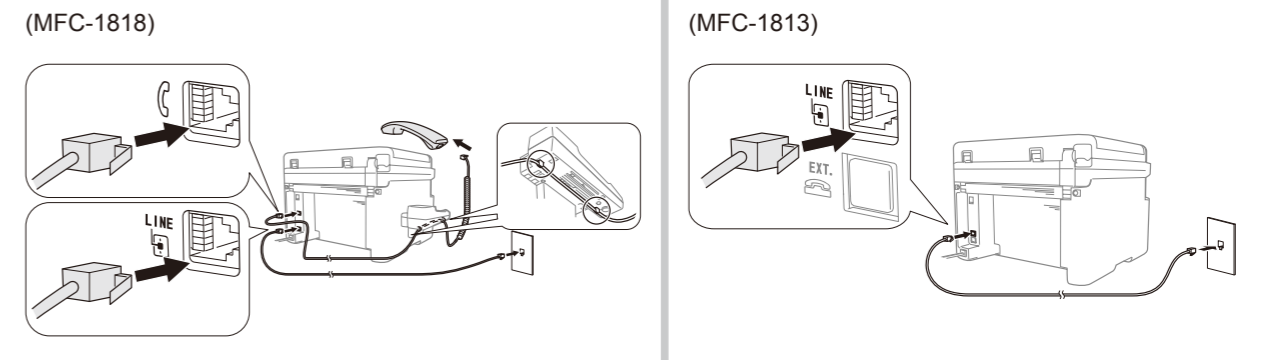
# 2 安装硒鼓和墨粉盒 Installing the toner and drum



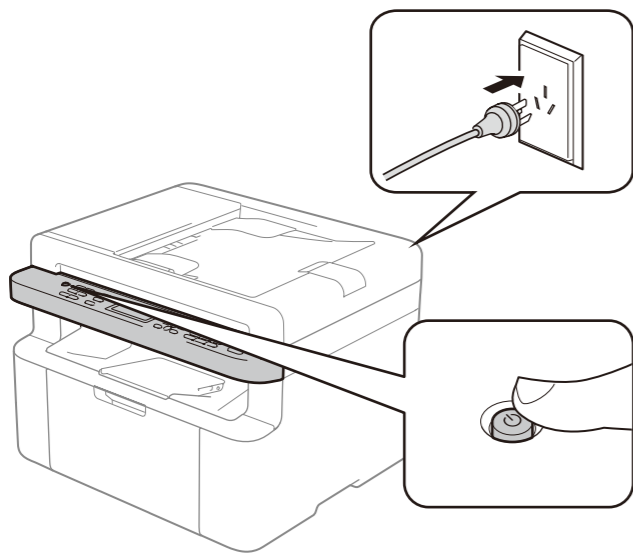
# 3 装入纸张 / Loading paper



# 4 安装听筒(仅适用于 MFC-1818)和连接电话线 Connecting the cables



## 5 设置国家(设备默认语言为中文) / Setting your country (The machine shows Chinese as default)



初始化时, 可能需要设置您所在的国家 (具体取决于产品型号)。如有需要, 请遵循屏幕提示完成设置。  
At initialization, you may be required to set your country (depending on your product). If required, follow the on-screen instructions.

若要使用菜单键设置语言 (如有需要) 和任何其他设置或信息  
To set your language using the menu keys (if needed) and any other settings or information

使用说明书  
User's Guide

## 6 安装完整的驱动程序和软件包 (MFL-Pro Suite) / Installing the full driver and software package (MFL-Pro Suite)

### Windows®



请遵循屏幕提示完成安装。  
Please follow the on-screen instructions to complete setup.

(仅适用于 Windows® 8)  
使用 Adobe® Reader® 打开随机光盘上的 PDF 说明书。  
如果安装了 Adobe® Reader® 却无法打开 PDF 文件, 请在控制面板中将 “.pdf” 文件关联更改为 “Adobe® Reader®”。

(For Windows® 8 only)  
Use Adobe® Reader® to open the PDF manuals on the CD-ROM.  
If Adobe® Reader® is installed but you cannot open the files, change the “.pdf” file association to “Adobe® Reader®” from the control panel.

### Windows® (不带 CD 光驱) 或 Macintosh / Windows® (without a CD drive) or Macintosh

可登录 Brother Solutions Center (Brother 解决方案中心) 网站 <http://solutions.brother.com/> 或 <http://www.95105369.com/> 下载驱动程序、软件和说明书。  
You can download the driver, software and manuals by visiting the Brother Solutions Center at <http://solutions.brother.com/> or <http://www.95105369.com/>.