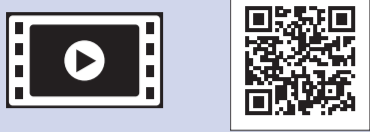


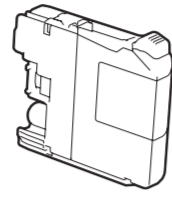
## Unpack the machine and check the components



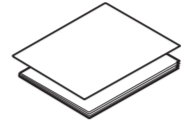
Watch our FAQ Videos for help with setting up your Brother machine.  
[solutions.brother.com/videos](http://solutions.brother.com/videos)

Visit the Brother support website  
<http://support.brother.com>

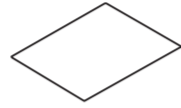
1. Remove the protective tape and film covering the machine, and also from the Touchscreen.
2. Make sure you have all components.  
The components included in the box may differ depending on your country.



**Introductory Ink Cartridges [x4]**  
Black  
Yellow  
Cyan  
Magenta  
(Approx. 65% yield of the replacement cartridge (High Yield))  
» *Online User's Guide*



**Quick Setup Guide  
Product Safety Guide**



**Maintenance Sheet**



**CD-ROM**



**Power Cord**



**Telephone Line Cord**

### WARNING

Plastic bags are used in the packing of your machine. To avoid the danger of suffocation, keep these plastic bags away from babies and children. Plastic bags are not toys.

### NOTE

- Save all packing materials and the box in case for any reason you must ship your machine.
- You must purchase the correct interface cable for the interface you want to use (for USB or network connection).

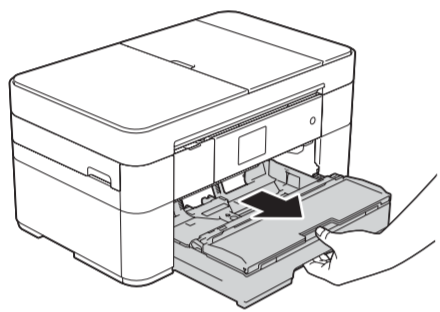
### USB cable

We recommend using a USB 2.0 cable (Type A/B) that is no more than 2 metres long.

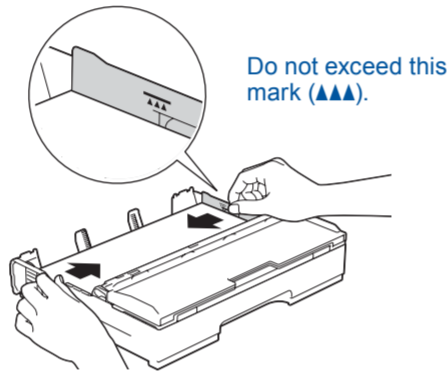
### Network cable

Use a straight-through Category5 (or greater) twisted-pair cable for 10BASE-T or 100BASE-TX Fast Ethernet Network.

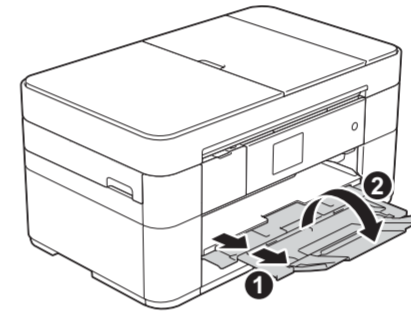
## 1 Load plain A4 paper



Pull the paper tray completely out of the machine.



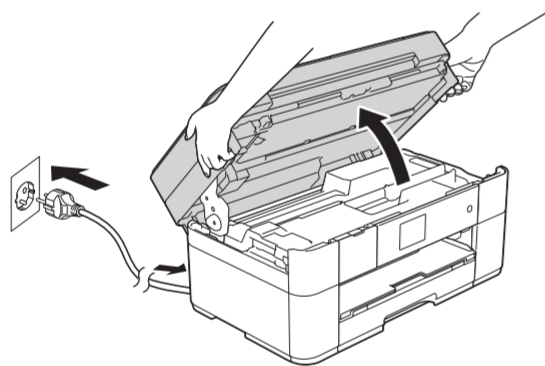
Adjust the paper guides.  
Do not exceed this mark (▲▲▲).  
Fan the paper well and load it in the tray.



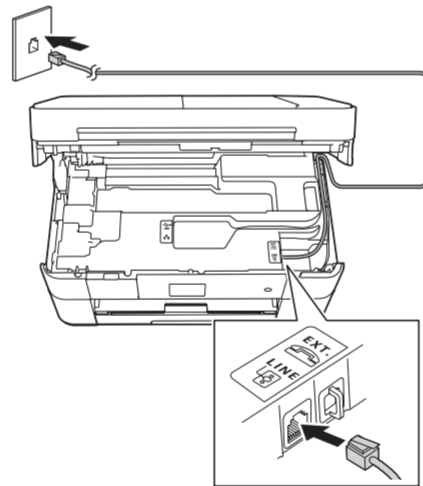
Pull out the paper support ①, and unfold the paper support flap ②.

## 2 Connect power cord and telephone line cord

If you are not using your machine as a fax, connect the power cord and go to 3.



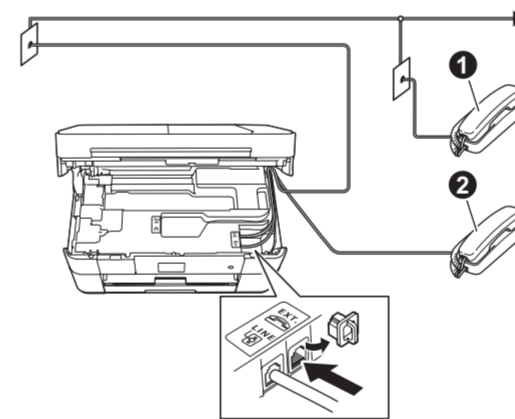
Connect the power cord.  
Lift the scanner cover.



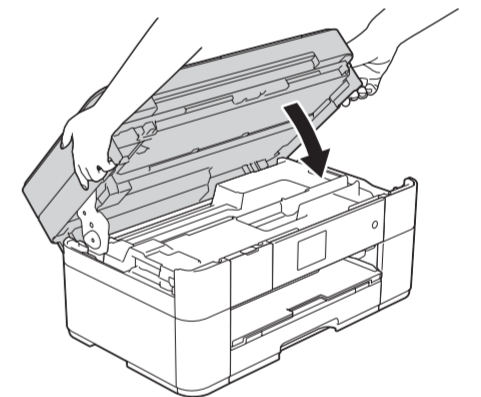
Connect the telephone line cord.  
Use the socket marked **LINE** and guide the cord out the back of the machine.

### NOTE

If you are sharing one telephone line with an external telephone, connect it as shown below.

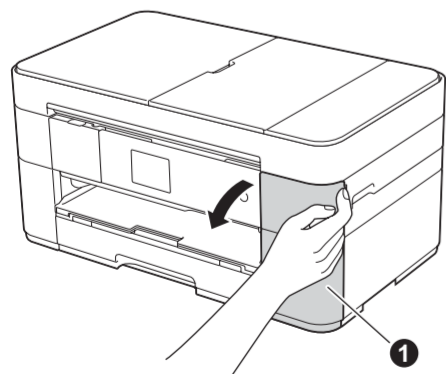


- ① Extension telephone
- ② External telephone

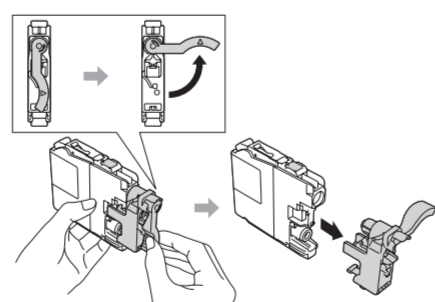


Close the scanner cover.

## 3 Install introductory ink cartridges



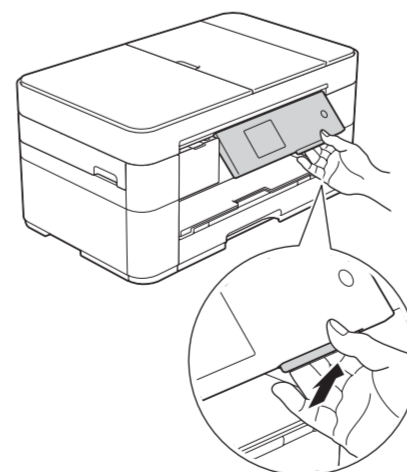
Open the ink cartridge cover ①.



Follow the Touchscreen instructions to install the ink cartridges.  
The machine will prepare the ink tube system for printing.

### NOTE

You can adjust the angle of the control panel by lifting it.



## 4 Machine Settings

When the machine has finished the initial cleaning process, follow the Touchscreen instructions to configure the machine settings.

- Check print quality
- Set date and time
- Print the installation sheet

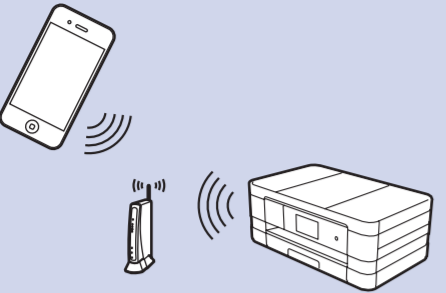
## 5 Choose your language

1. Press (Settings).
2. Press All Settings.
3. Press ▲ or ▼ to display Initial Setup.  
Press Initial Setup.
4. Press ▲ or ▼ to display Local Language.  
Press Local Language.
5. Press your language.
6. Press .



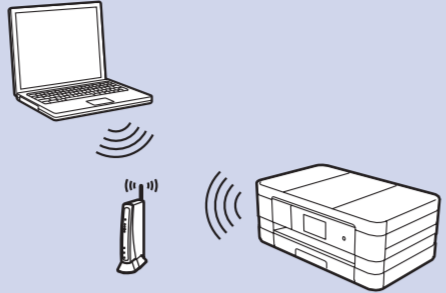
# 6 Choose your method

### Mobile



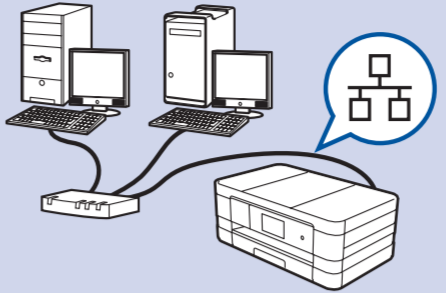
Go to **7 For Wireless Networks Method B**

### Wireless Network



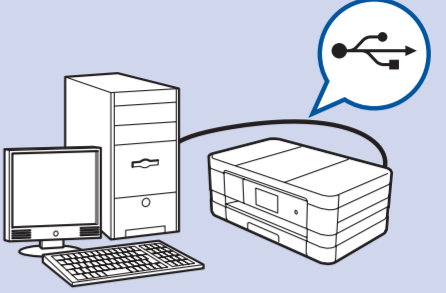
Go to **7 For Wireless Networks Method A or Method B**

### Wired Network



Go to **7 For Wired Networks**

### USB



Go to **7 For USB Connections**

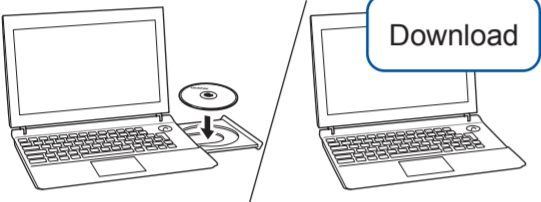
# 7 Connect to your device and install software

## For Wireless Networks


To connect additional computers, repeat Method A for each computer.

### Method A Setup from the computer

Make sure that you are logged on with Administrator rights.



Put the CD-ROM into your CD-ROM drive. If you do not have a CD-ROM drive, download the software at:  
 For Windows®: [solutions.brother.com/windows](http://solutions.brother.com/windows)  
 For Macintosh: [solutions.brother.com/mac](http://solutions.brother.com/mac)



Follow the on-screen instructions to continue installation.

A USB cable may be needed in some cases.

**Finish**

### Method B Manual setup using the Setup Wizard

#### Set up your machine

- Write your wireless access point/router information in the area below. This information may be hidden on the bottom of the wireless access point/router. If you cannot find it, ask your network administrator or wireless access point/router manufacturer.

SSID (Network Name)	
Network Key (Password)	

- Press **WiFi** on your Brother machine's Touchscreen, and then press Setup Wizard. When Switch Network interface to wireless? is displayed, press Yes.
- Select the SSID you wrote down in 1. Press **OK**.
- If the machine prompts you to enter a Network Key, enter the key you wrote down in 1. Press **OK**.
- Press **Yes** to apply your settings.

#### Install Brother iPrint&Scan



You can print from and scan to mobile devices using our free application "Brother iPrint&Scan." Download and install the application from [solutions.brother.com/ips](http://solutions.brother.com/ips).

**Finish**

#### Install MFL-Pro Suite

Make sure that you are logged on with Administrator rights.



Put the CD-ROM into your CD-ROM drive. If you do not have a CD-ROM drive, download the software at:  
 For Windows®: [solutions.brother.com/windows](http://solutions.brother.com/windows)  
 For Macintosh: [solutions.brother.com/mac](http://solutions.brother.com/mac)



Follow the on-screen instructions to continue installation.

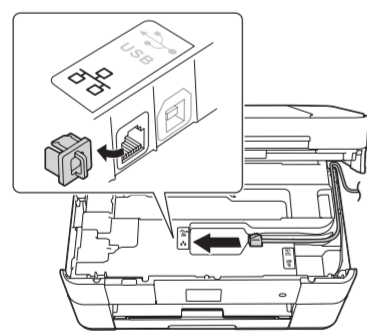

**Finish**

## For Wired Networks

To connect additional computers, repeat this procedure for each computer.


#### Connect the network cable

#### Install MFL-Pro Suite

Make sure that you are logged on with Administrator rights.

Put the CD-ROM into your CD-ROM drive. If you do not have a CD-ROM drive, download the software at:  
 For Windows®: [solutions.brother.com/windows](http://solutions.brother.com/windows)  
 For Macintosh: [solutions.brother.com/mac](http://solutions.brother.com/mac)



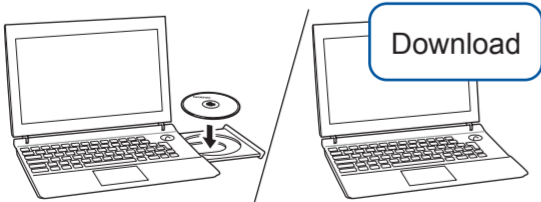
Follow the on-screen instructions to continue installation.

**Finish**

## For USB Connections

#### Install MFL-Pro Suite

#### Connect the USB cable

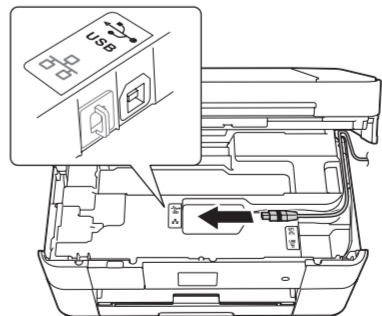


Put the CD-ROM into your CD-ROM drive. If you do not have a CD-ROM drive, download the software at:  
[solutions.brother.com/windows](http://solutions.brother.com/windows)

Make sure that you are logged on with Administrator rights.



Follow the on-screen instructions.

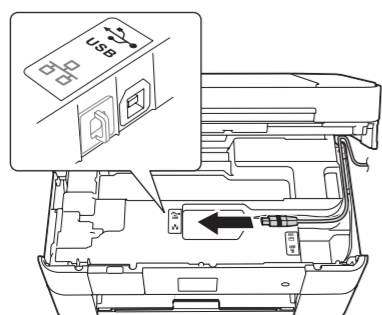
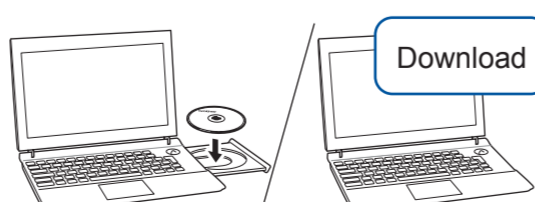


Follow the on-screen instructions to continue installation.

**Finish**


#### Connect the USB cable

#### Install MFL-Pro Suite

Make sure that you are logged on with Administrator rights.

Put the CD-ROM into your CD-ROM drive. If you do not have a CD-ROM drive, download the software at:  
[solutions.brother.com/mac](http://solutions.brother.com/mac)



Internet access is required. Follow the on-screen instructions to continue installation.

**Finish**