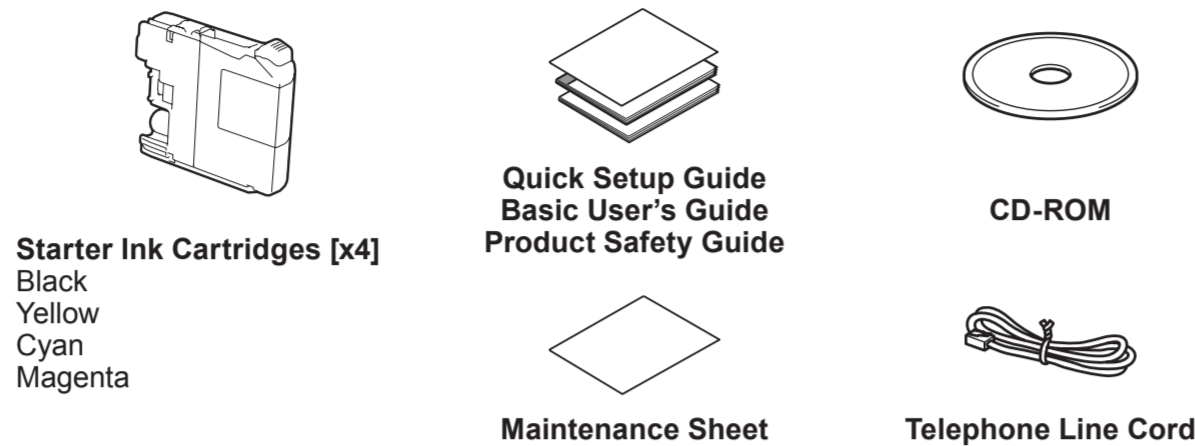


Watch our FAQ Videos for help with setting up your Brother machine.
solutions.brother.com/videos

Visit the Brother support website
<http://support.brother.com>

Unpack the machine and check the components

1. Remove the protective tape and film covering the machine, and also from the Touchscreen.
2. Make sure you have all components.
The components included in the box may differ depending on your country.



WARNING

Plastic bags are used in the packing of your machine. Plastic bags are not toys. To avoid the danger of suffocation, keep these bags away from babies and children, and dispose of them correctly.

NOTE

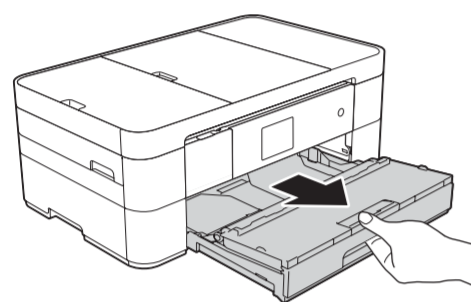
Manuals in Spanish for this model are available on the enclosed CD-ROM. Manuales en Español para este modelo están disponibles en el CD-ROM incluido. Most of the illustrations in this Quick Setup Guide show the MFC-J4420DW.

- Save all packing materials and the box in case for any reason you must ship your machine.

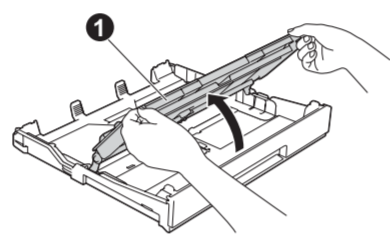
USB cable

- You must purchase the correct USB cable.
- We recommend using a USB 2.0 cable (Type A/B) that is no more than 6 feet (2 meters) long.

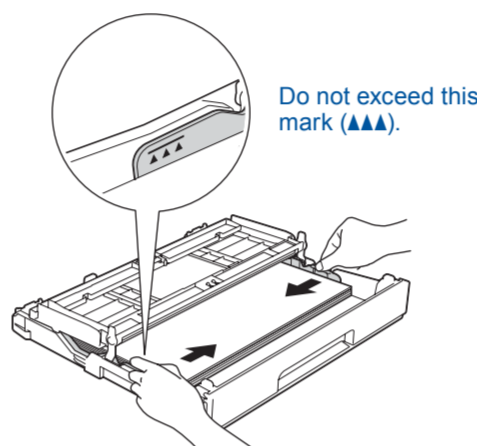
1 Load plain Letter/A4 paper



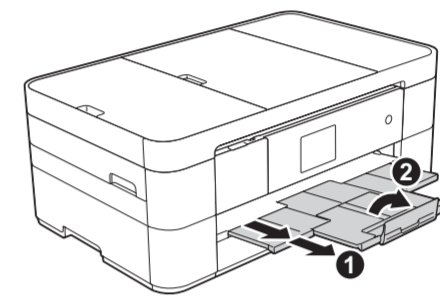
Pull the paper tray completely out of the machine.



Open the output paper tray cover 1.



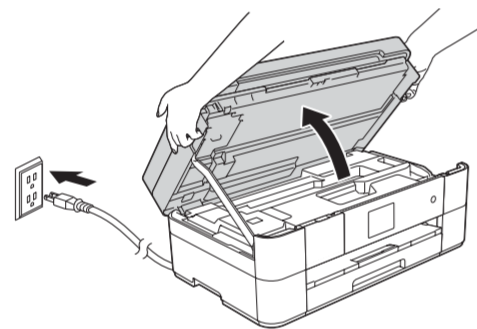
Fan the paper well and load it in the tray.



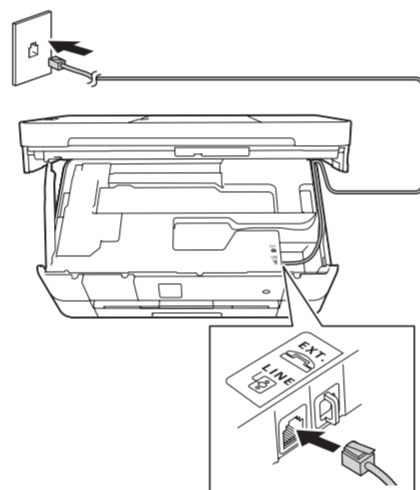
Pull out the paper support 1, and unfold the paper support flap 2.

2 Connect power cord and telephone line cord

If you are not using your machine as a fax, connect the power cord and go to 3.



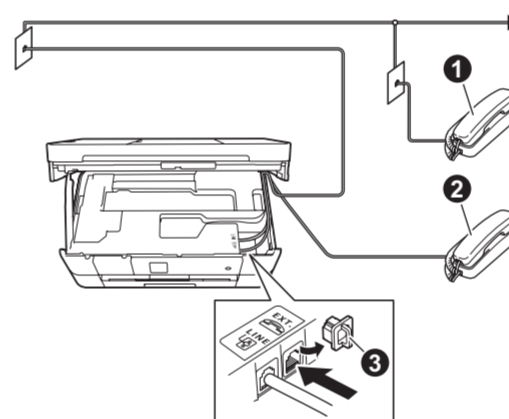
Connect the power cord. Lift the scanner cover.



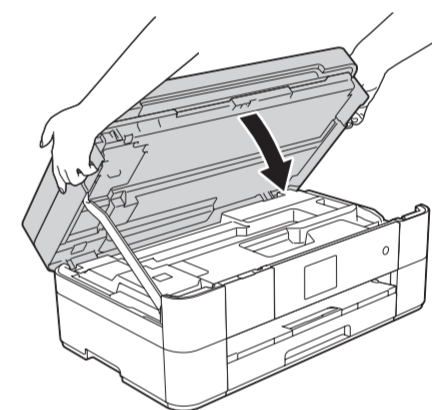
Connect the telephone line cord. Use the jack marked **LINE** and guide the cord out the back of the machine.

NOTE

If you are sharing one telephone line with an external telephone, connect it as shown below. Before you connect the external telephone, remove the white protective cap 3 from the **EXT.** jack of the machine.

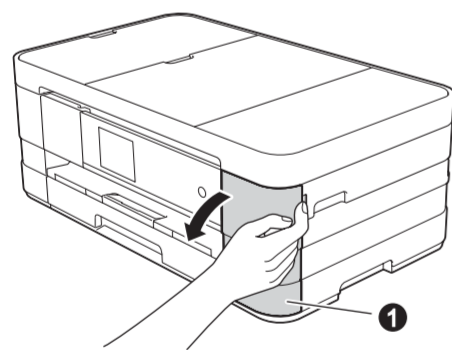


- 1. Extension telephone
- 2. External telephone
- 3. Protective cap

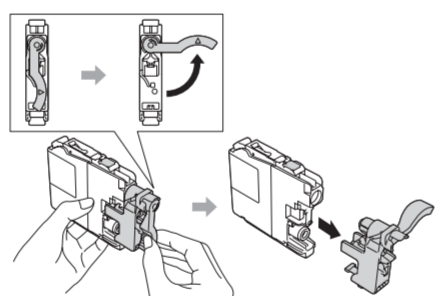


Close the scanner cover.

3 Install starter ink cartridges



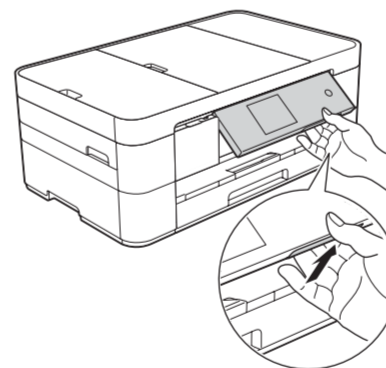
Open the ink cartridge cover 1.



Follow the Touchscreen instructions to install the ink cartridges. The machine will prepare the ink tube system for printing.

NOTE

You can adjust the angle of the control panel by lifting it.



4 Machine Settings

When the machine has finished the initial cleaning process, follow the Touchscreen instructions to configure the machine settings.

- Check print quality
- Set date and time
- Print the installation sheet

5 Choose your language (if needed)

1. Press (Settings).
2. Press All Settings.
3. Press ▲ or ▼ to display Initial Setup. Press Initial Setup.

4. Press ▲ or ▼ to display Local Language. Press Local Language.
5. Press your language.
6. Press .

6 Choose the correct Receive Mode

If you are not using your machine as a fax, go to 8.

The correct Receive Mode is determined by the external devices and telephone subscriber services (Voice Mail, Distinctive Ring, etc.) you will be using on the same line as the Brother machine. For more information, see *Receive Modes overview* in chapter 10 of the *Basic User's Guide*.

1. Press (Settings).
2. Press All Settings.
3. Press Fax.
4. Press Setup Receive.

5. Press Receive Mode.
6. Press your preferred Receive Mode.
7. Press .

7 Set your Station ID

If you are not using your machine as a fax, go to 8.

Store your name and fax number so the machine prints it on all outgoing fax pages. For more information, see *Entering Text* in chapter 1 of the *Basic User's Guide*.

1. Press (Settings).
2. Press All Settings.
3. Press ▲ or ▼ to display Initial Setup. Press Initial Setup.

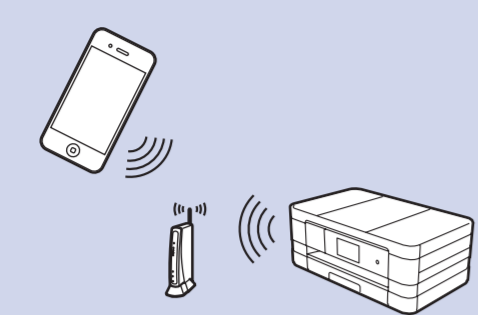
4. Press Station ID.
5. Press Fax.
6. Enter your fax number (up to 20 digits) on the Touchscreen, and then press OK.

7. Press Name.
8. Enter your name (up to 20 characters) using the Touchscreen, and then press OK.
9. Press .



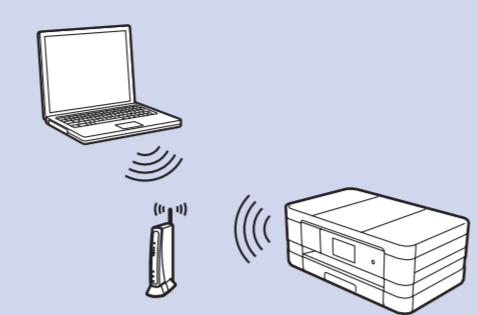
8 Choose your method

Mobile



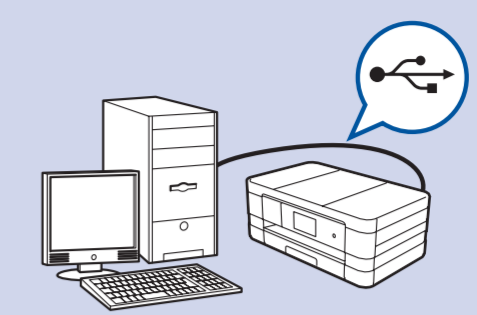
Go to **9** For Wireless Networks **Method B**

Wireless Network



Go to **9** For Wireless Networks **Method A** or **Method B**

USB



Go to **9** For USB Connections

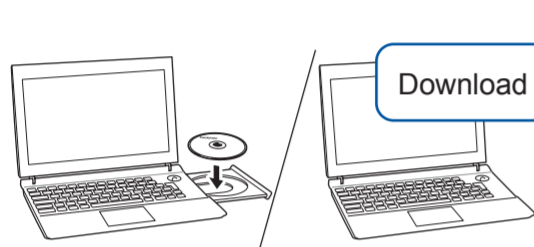
9 Connect to your device and install software

For Wireless Networks

To connect additional computers, repeat Method A for each computer.

Method A Setup from the computer

Make sure that you are logged on with Administrator rights.




Download

Put the CD-ROM into your CD-ROM drive. If you do not have a CD-ROM drive, download the software at:
 For Windows®: solutions.brother.com/windows
 For Macintosh: solutions.brother.com/mac

Windows®

Macintosh



Follow the on-screen instructions to continue installation.

A USB cable may be needed in some cases.

Finish

Method B Manual setup using the Setup Wizard

Set up your machine

- Write your wireless access point/router information in the area below. This information may be hidden on the bottom of the wireless access point/router. If you cannot find it, ask your network administrator or wireless access point/router manufacturer.

| | |
|------------------------|--|
| SSID (Network Name) | |
| Network Key (Password) | |



- Press **WiFi** on your Brother machine's Touchscreen, and then press Setup Wizard. When Enable WLAN? is displayed, press Yes.
- Select the SSID you wrote down in 1. Press OK.
- If the machine prompts you to enter a Network Key, enter the key you wrote down in 1. Press OK.
- Press Yes to apply your settings.

Install Brother iPrint&Scan



You can print from and scan to mobile devices using our free application "Brother iPrint&Scan." Download and install the application from solutions.brother.com/ips.

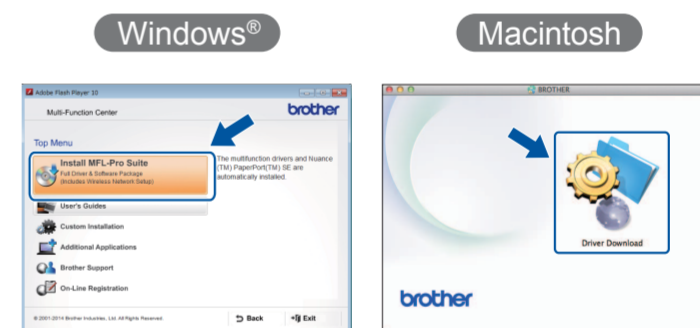
Finish

Install MFL-Pro Suite

Make sure that you are logged on with Administrator rights.



Put the CD-ROM into your CD-ROM drive. If you do not have a CD-ROM drive, download the software at:
 For Windows®: solutions.brother.com/windows
 For Macintosh: solutions.brother.com/mac



Follow the on-screen instructions to continue installation.

Finish

For USB Connections

Install MFL-Pro Suite

Windows®



Download

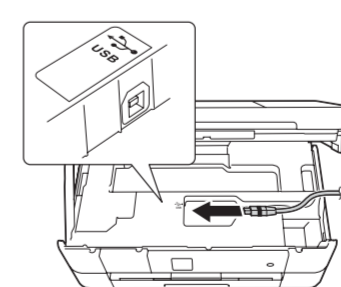
Put the CD-ROM into your CD-ROM drive. If you do not have a CD-ROM drive, download the software at:
solutions.brother.com/windows

Make sure that you are logged on with Administrator rights.



Follow the on-screen instructions.

Connect the USB cable

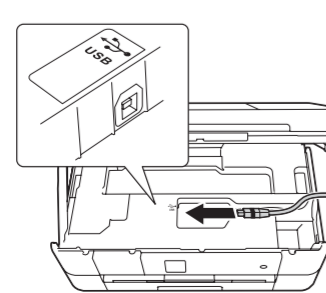


Follow the on-screen instructions to continue installation.

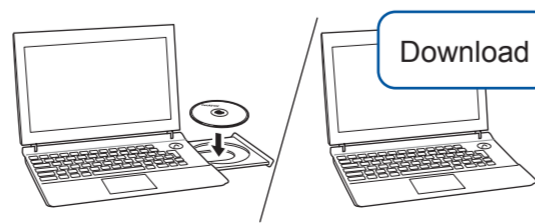
Finish

Connect the USB cable

Macintosh



Install MFL-Pro Suite



Download

Put the CD-ROM into your CD-ROM drive. If you do not have a CD-ROM drive, download the software at:
solutions.brother.com/mac

Make sure that you are logged on with Administrator rights.



Internet access is required. Follow the on-screen instructions to continue installation.

Finish