

Read the Product Safety Guide first, then read this Quick Setup Guide for the correct installation procedure.

WARNING

WARNING indicates a potentially hazardous situation which, if not avoided, could result in death or serious injuries.

NOTE

NOTE specifies the operating environment, conditions for installation, or special conditions of use.

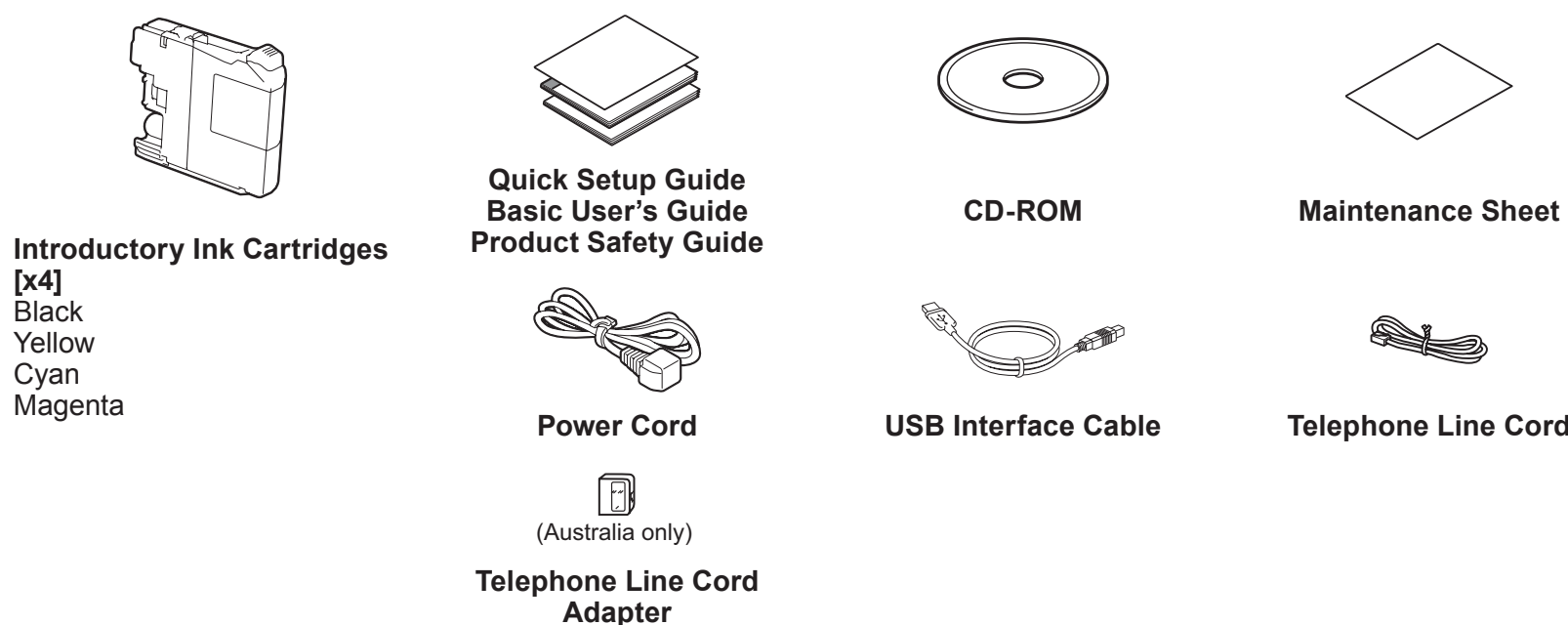


Watch our FAQ Videos for help with setting up your Brother machine.
solutions.brother.com/videos

Visit the Brother support website
<http://support.brother.com>

Unpack the machine and check the components

1. Remove the protective tape and film covering the machine, and also from the Touchscreen.
2. Make sure you have all components.
The components included in the box may differ depending on your country.



WARNING

Plastic bags are used in the packing of your machine. To avoid the danger of suffocation, keep these plastic bags away from babies and children. Plastic bags are not toys.

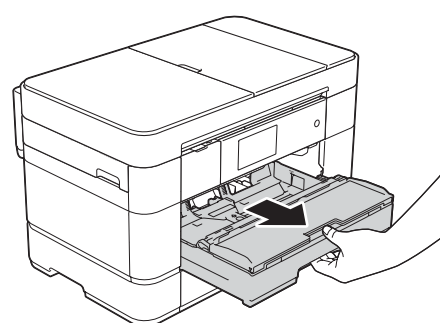
NOTE

- Save all packing materials and the box in case for any reason you must ship your machine.
- For a network connection you must purchase a network interface cable. Please use the supplied USB cable for a USB connection.

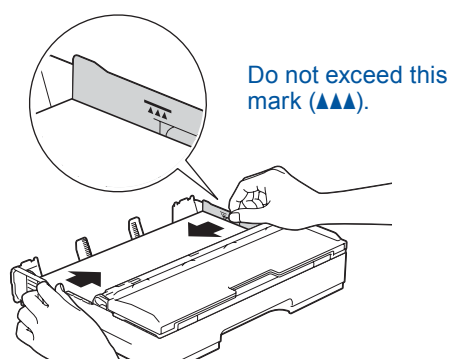
USB cable
We recommend using a USB 2.0 cable (Type A/B) that is no more than 2 metres long.

Network cable
Use a straight-through Category5 (or greater) twisted-pair cable for 10BASE-T or 100BASE-TX Fast Ethernet Network.

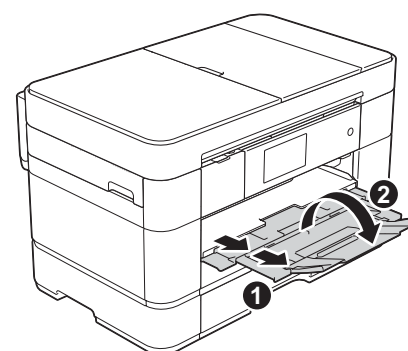
1 Load plain A4 paper



Pull the paper tray completely out of the machine.



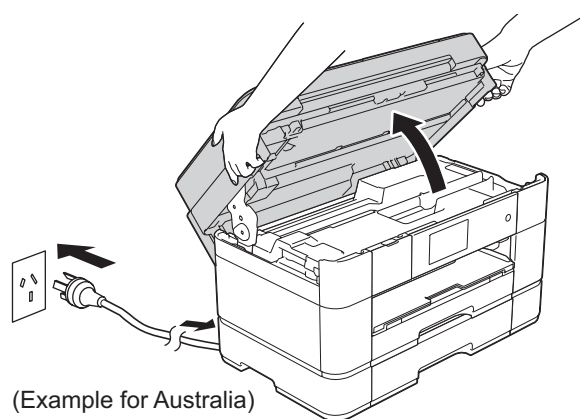
Adjust the paper guides.
Fan the paper well and load it in the tray.



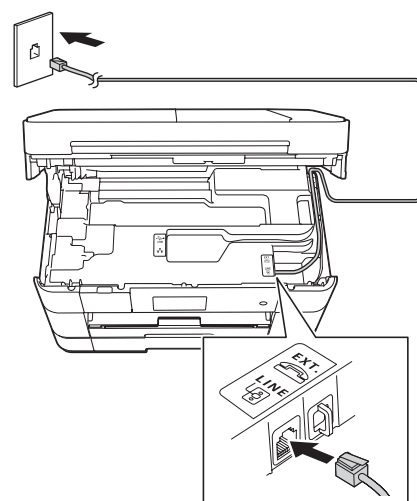
Pull out the paper support ①, and unfold the paper support flap ②.

2 Connect power cord and telephone line cord

If you are not using your machine as a fax, connect the power cord and go to 3.



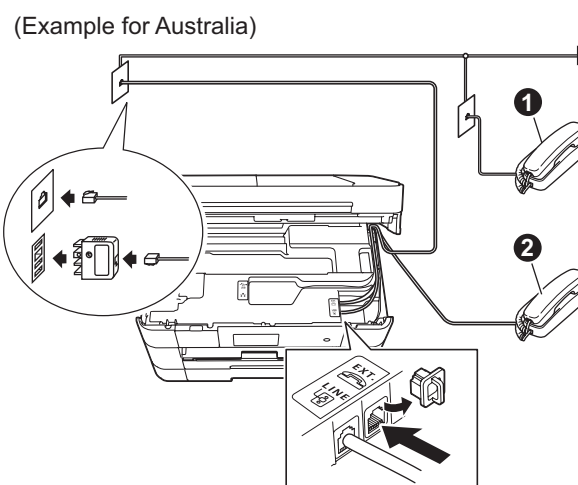
Connect the power cord.
Lift the scanner cover.



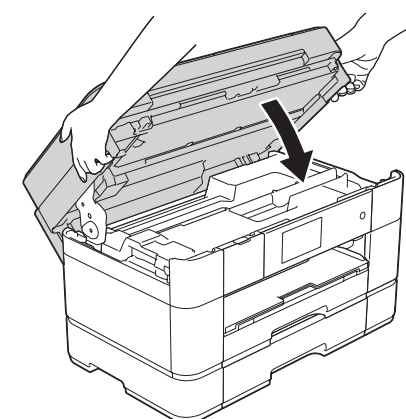
Connect the telephone line cord.
Use the socket marked **LINE** and guide the cord out the back of the machine.

NOTE

If you are sharing one telephone line with an external telephone, connect it as shown below.



- ① Extension telephone
- ② External telephone

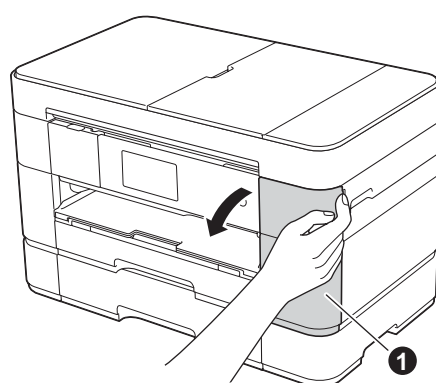


Close the scanner cover.

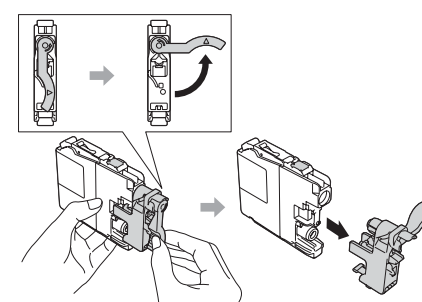
3 Set your country (Available only for some countries)

1. Press your country.
Press **OK**.
2. Press **Yes** or **No**.
3. After the LCD shows **Accepted** for a few seconds, the machine will restart automatically.

4 Install introductory ink cartridges

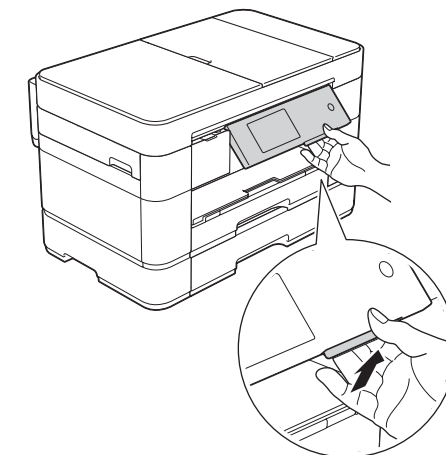


Open the ink cartridge cover ①.



Follow the Touchscreen instructions to install the ink cartridges.
The machine will prepare the ink tube system for printing.

NOTE
You can adjust the angle of the control panel by lifting it.



5 Machine Settings

When the machine has finished the initial cleaning process, follow the Touchscreen instructions to configure the machine settings.

- Check print quality
- Set date and time
- Set tray settings
- View operation tips
- Print the installation sheet

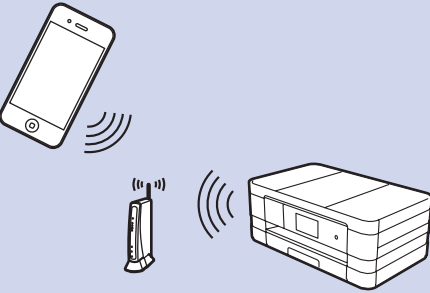
6 Choose your language (Available only for some countries)

1. Press
2. Press **All Settings**.
3. Swipe up or down, or press **▲** or **▼** to display **Initial Setup**. Press **Initial Setup**.
4. Swipe up or down, or press **▲** or **▼** to display **Local Language**. Press **Local Language**.
5. Press your language.
6. Press



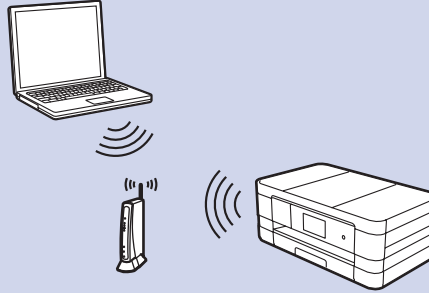
7 Choose your method

Mobile



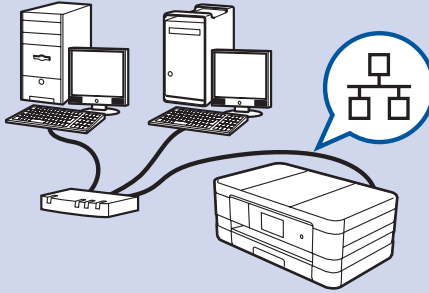
Go to **8** For Wireless Networks **Method B**

Wireless Network



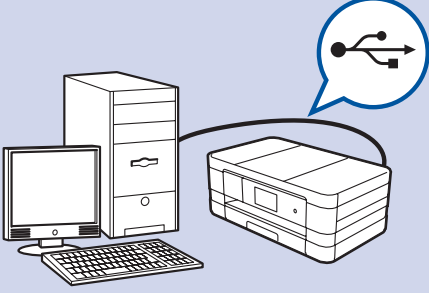
Go to **8** For Wireless Networks **Method A** or **Method B**

Wired Network



Go to **8** For Wired Networks

USB



Go to **8** For USB Connections

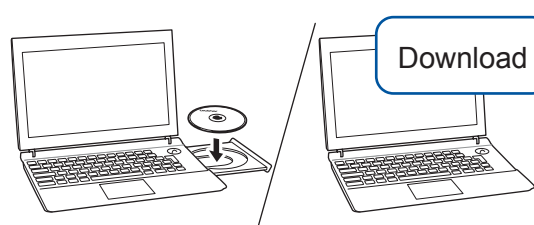
8 Connect to your device and install software

For Wireless Networks

To connect additional computers, repeat Method A for each computer.

Method A Setup from the computer

Make sure that you are logged on with Administrator rights.




Download

Put the CD-ROM into your CD-ROM drive. If you do not have a CD-ROM drive, download the software at:
 For Windows®: solutions.brother.com/windows
 For Macintosh: solutions.brother.com/mac

Windows®

Macintosh



Follow the on-screen instructions to continue installation.

A USB cable may be needed in some cases.

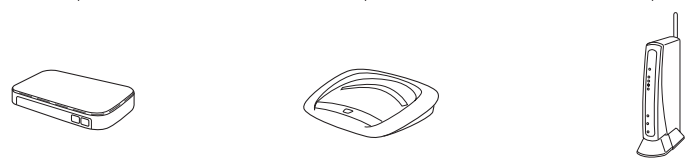
Finish

Method B Manual setup using the Setup Wizard

Set up your machine

- Write your wireless access point/router information in the area below. This information may be hidden on the bottom of the wireless access point/router. If you cannot find it, ask your network administrator or wireless access point/router manufacturer.

SSID (Network Name)	
Network Key (Password)	



- Press **WiFi** on your Brother machine's Touchscreen, and then press Setup Wizard. When Switch Network interface to wireless? is displayed, press Yes.
- Select the SSID you wrote down in 1. Press **OK**.
- If the machine prompts you to enter a Network Key, enter the key you wrote down in 1. Press **OK**.
- Press **Yes** to apply your settings.

Install Brother iPrint&Scan



You can print from and scan to mobile devices using our free application "Brother iPrint&Scan." Download and install the application from solutions.brother.com/ips.

Finish

Install MFL-Pro Suite

Make sure that you are logged on with Administrator rights.



Download

Put the CD-ROM into your CD-ROM drive. If you do not have a CD-ROM drive, download the software at:
 For Windows®: solutions.brother.com/windows
 For Macintosh: solutions.brother.com/mac

Windows®

Macintosh



Follow the on-screen instructions to continue installation.

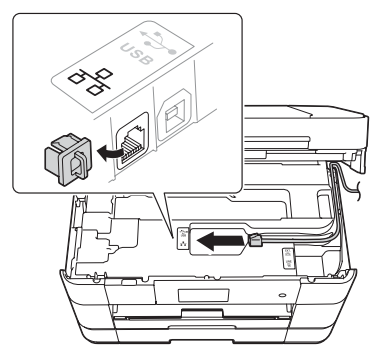
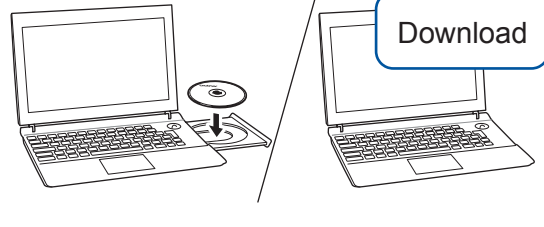
Finish

For Wired Networks

To connect additional computers, repeat this procedure for each computer.

Connect the network cable

Install MFL-Pro Suite

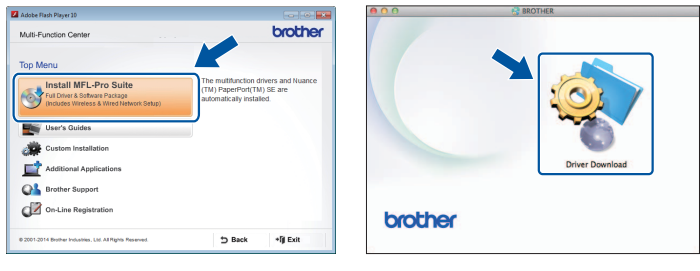
Download

Make sure that you are logged on with Administrator rights.

Put the CD-ROM into your CD-ROM drive. If you do not have a CD-ROM drive, download the software at:
 For Windows®: solutions.brother.com/windows
 For Macintosh: solutions.brother.com/mac

Windows®

Macintosh



Follow the on-screen instructions to continue installation.

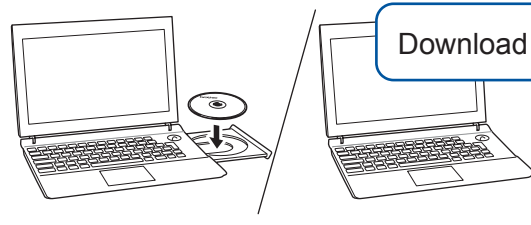
Finish

For USB Connections

Install MFL-Pro Suite

Connect the USB cable

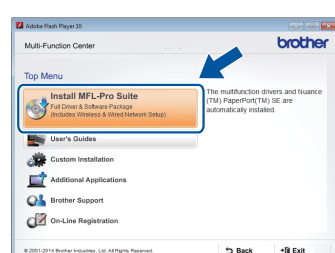
Windows®



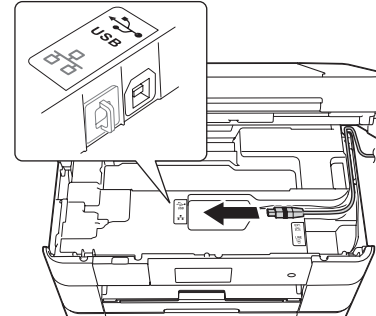
Download

Make sure that you are logged on with Administrator rights.

Put the CD-ROM into your CD-ROM drive. If you do not have a CD-ROM drive, download the software at:
solutions.brother.com/windows



Follow the on-screen instructions.



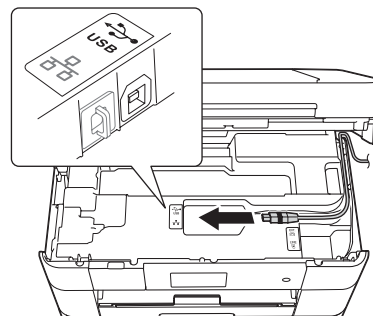
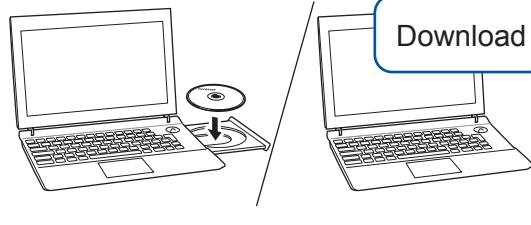
Follow the on-screen instructions to continue installation.

Finish

Connect the USB cable

Install MFL-Pro Suite


Macintosh

Download

Make sure that you are logged on with Administrator rights.

Put the CD-ROM into your CD-ROM drive. If you do not have a CD-ROM drive, download the software at:
solutions.brother.com/mac



Internet access is required. Follow the on-screen instructions to continue installation.

Finish