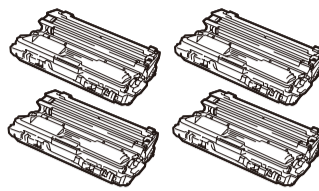
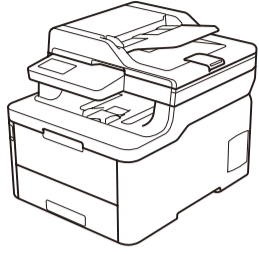
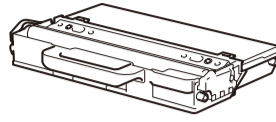


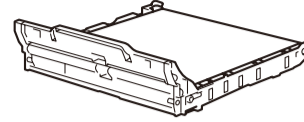
Unpack the machine and check the components



Drum Unit and Toner Cartridge Assemblies*
(Black, Cyan, Magenta, and Yellow)



Waste Toner Box*



Belt Unit*

* Already installed in the machine



Telephone Line Cord
(For MFC models)



AC Power Cord



USB Interface Cable



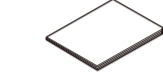
Brother Installation Disc



Quick Setup Guide



Product Safety Guide



Reference Guide

NOTE:

• Use the appropriate interface cable for the connection you want to use. (Network cable is not a standard accessory.)

USB cable

We recommend using a USB 2.0 cable (Type A/B) that is no more than 2 metres long.

Network cable

Use a straight-through Category 5 (or greater) twisted-pair cable.

• The illustrations in this *Quick Setup Guide* show the MFC-9350CDW.

Secure Network Access

Your machine's default password is on the label on the back of the machine (preceded by "Pwd"). We strongly recommend you change it to protect your machine from unauthorised access.

Operation Videos

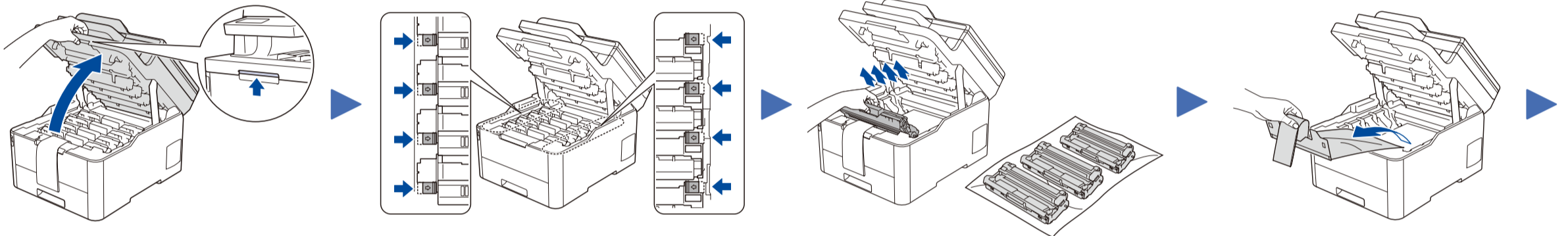
www.95105369.com

Installation & Using Videos

1 Remove the packing materials and re-install the drum unit and toner cartridge assemblies

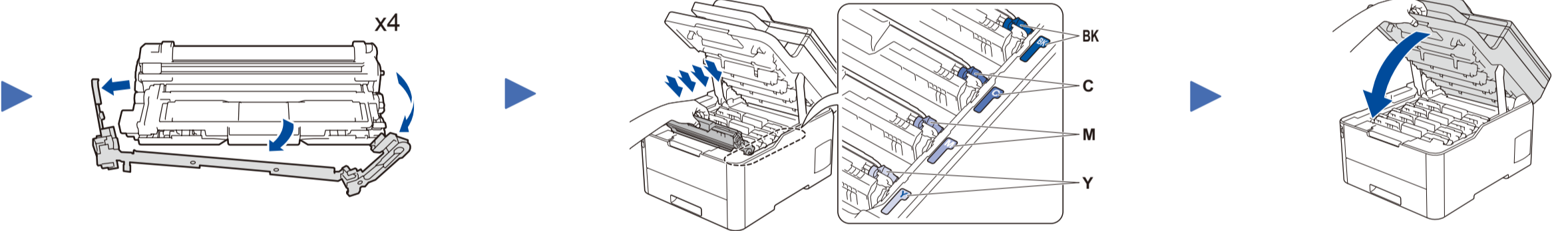
Remove all the blue packing tape.

Slide all eight yellow drum locks.



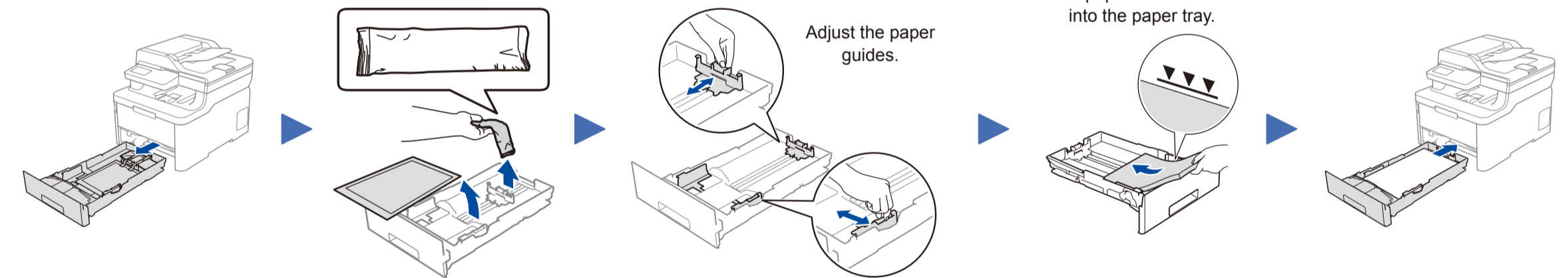
Remove the orange part from each drum unit.

Push firmly.

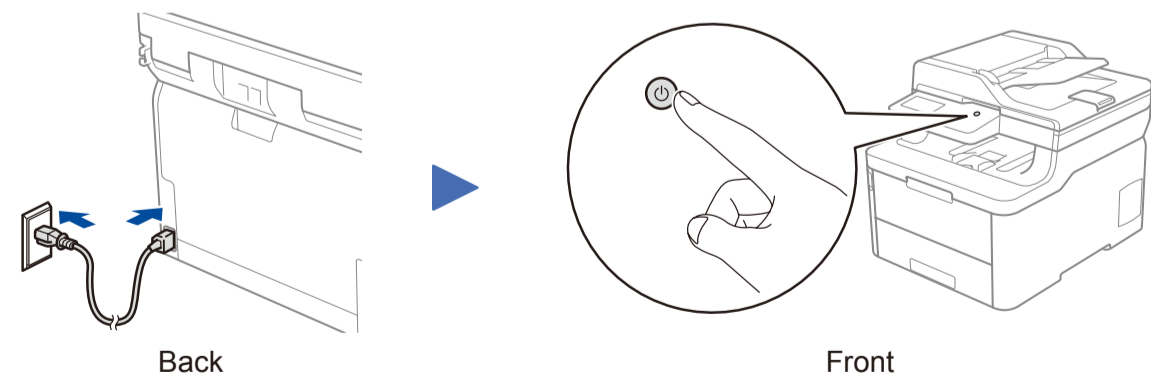


2 Load paper in the paper tray

Do not exceed this mark.
The paper is face down into the paper tray.



3 Connect the power cord and turn the machine on



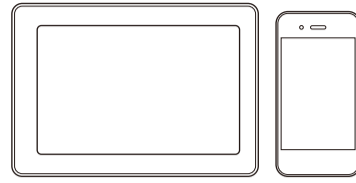
4 Select a device to connect to your machine

Computer



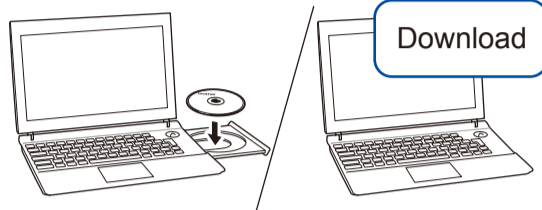
Go to **5** and follow the instructions.

Mobile Device



Go to **6** and follow the instructions.

5 Connect your computer



Put the installation disc into your CD/DVD drive, or download the Full Driver & Software Package at:

www.95105369.com

If you are using a recently released operating system on your computer, visit the above websites for updated driver and software information.

Brother regularly updates firmware to add features and apply bug fixes. To check for the latest firmware, visit support.brother.com/up7.

▶ Follow the on-screen instructions and prompts.

▶ Finished

For Windows®:

If the Brother screen does not appear automatically, go to **Computer (This PC)**. Double-click the CD/DVD-ROM icon, and then double-click **start.exe**.

For Mac:

For full driver functionality, we recommend choosing the **CUPS driver** when adding a printer.

Can't Connect? Check the following:

Wireless network

▶ Restart your wireless access point/router (if possible).

Wired network

USB connection

▶ Disconnect the cable.

▶ Restart your machine and computer, and then go to **5**.

▶ If still not successful, go to **6**.

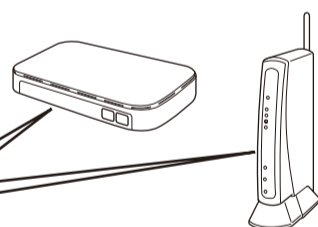
▶ If still not successful, visit www.95105369.com for FAQs & Troubleshooting.

6 Alternative wireless setup

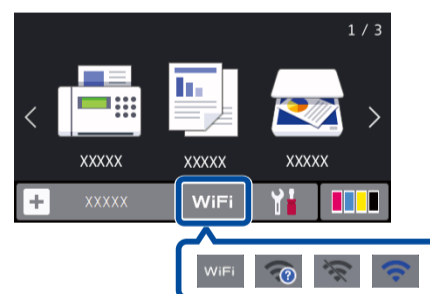
Find your SSID (Network Name) and Network Key (Password) on your wireless access point/router and write them in the table provided below.

SSID (Network Name)	
Network Key (Password)	

SSID: XXXXXXXX
Network key: XXXX



Press **WiFi** > [Setup Wizard] > [Yes].



Select the SSID (Network Name) for your access point/router and enter the Network Key (Password).

When the wireless setup is successful, the touchscreen/LCD displays [Connected].

If setup is not successful, restart your Brother machine and your wireless access point/router, and repeat **6**.

For Computer

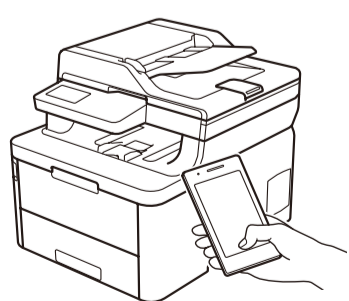
Go to **5** to install software.

For Mobile Device

Go to **7** to install apps.

7 Print or scan using your mobile device

Your mobile device must be connected to the same wireless network as your Brother machine.



AirPrint is available for all supported iOS devices including iPhone, iPad and iPod touch. You do not need to download any software to use AirPrint. For more information, see the *Online User's Guide*.



Search Mopria from the search engine you use, then download and install the Mopria® Print Service app using your Android™ device.



Download and install our free application **Brother iPrint&Scan**.



Read the two-dimensional code (or visit www.95105369.com), click **iPrint&Scan** from the mobile application menu on the right-lower corner to enter the download page.

*We suggest Android users using a mobile browser to scan and download our product.

Optional apps

You can print from and scan to your mobile device using various apps. For instructions, see the *Online User's Guide*.