

DCP-L1628 / DCP-L1638W / DCP-L1848W

Read the *Product Safety Guide* first, then read this *Quick Setup Guide* for the correct installation procedure.

EN



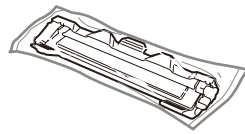
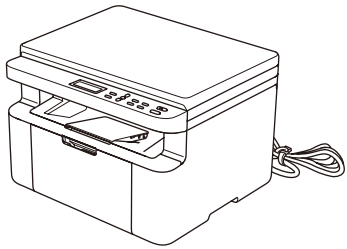
Operation Videos:  
[www.95105369.com](http://www.95105369.com)



Installation & Using Videos

## Unpack the machine and check the components

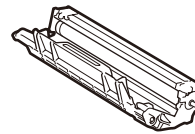
Remove the protective tape or film covering the machine and the supplies.



Toner Cartridge



A5 Paper Long Edge Support



Drum Unit  
(Installed in the machine)

### NOTE:

• The available connection interfaces vary depending on the model.

If you use a wired connection, you must purchase the correct cable for the interface you want to use.

#### • USB cable

We recommend using a USB 2.0 cable (Type A/B) that is no more than 2 metres long.

#### • Network cable (DCP-L1638W/DCP-L1848W)

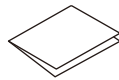
Use a straight-through Category 5 (or greater) twisted-pair cable.

• The screens and images in this *Quick Setup Guide* show the DCP-L1638W.

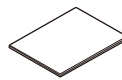
• Save all packing materials and the box in case you need to ship your machine.



USB Interface Cable

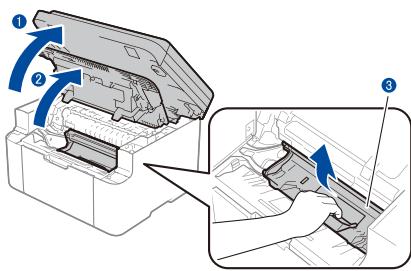


Quick Setup Guide

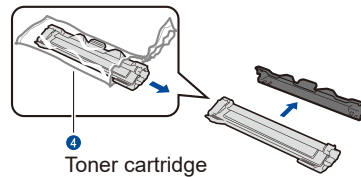


Product Safety Guide

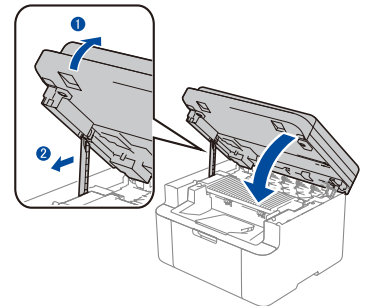
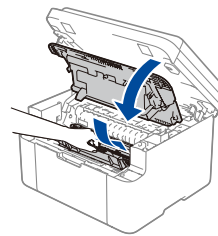
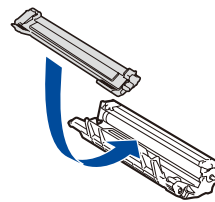
## 1 Remove the packing materials and install the toner cartridge



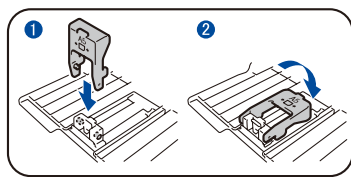
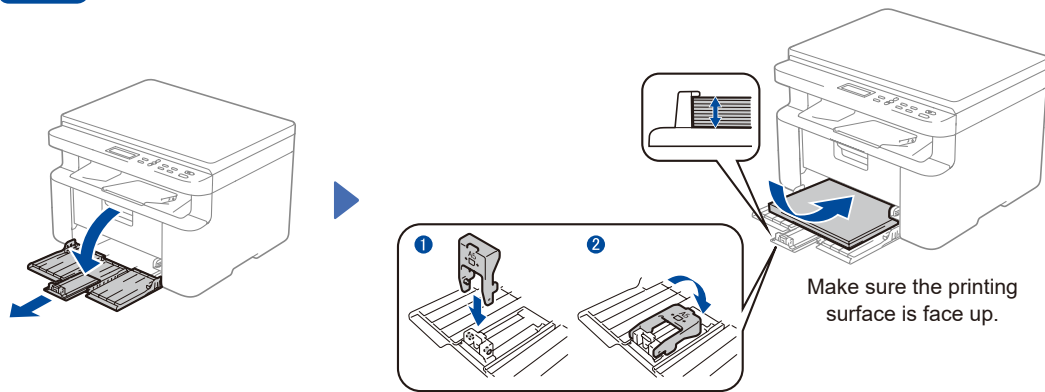
Take out ③ drum unit



Toner cartridge

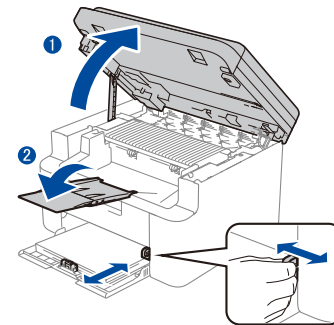


## 2 Load paper in the paper tray

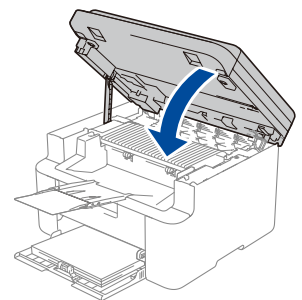


For the long edge of A5 paper

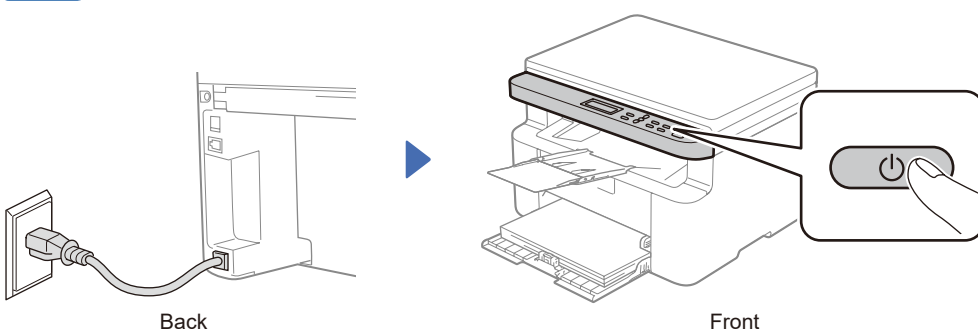
Make sure the printing surface is face up.



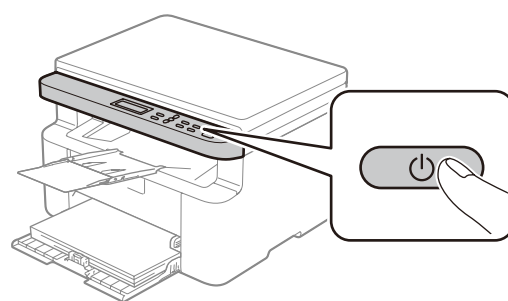
Adjust the paper guides to fit the paper being used.



## 3 Connect the power cord and turn the machine on



Back

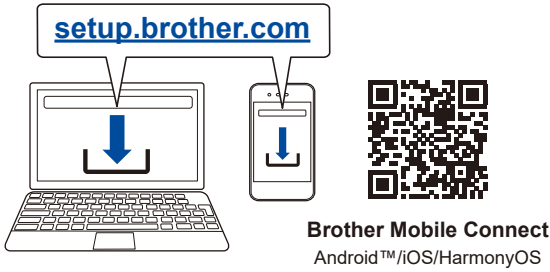


Front

## 4 Connect your computer or mobile device\* to your machine

Follow these steps to complete the setup using one of the connection types available on your machine.

Visit [setup.brother.com](http://setup.brother.com) to download and install Brother software.



Follow the on-screen instructions and prompts.

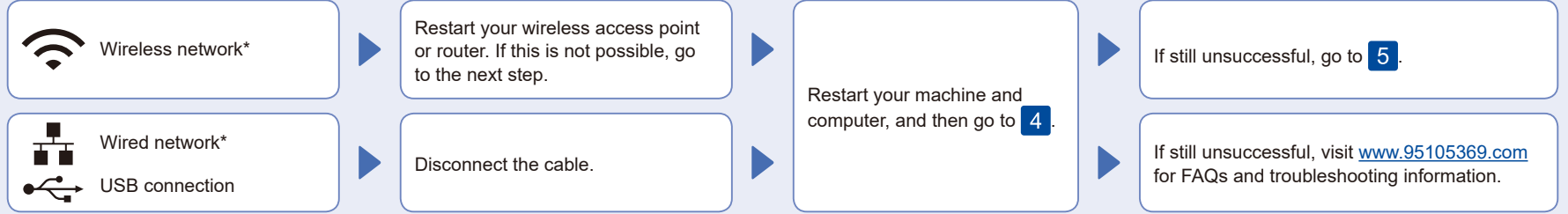
### Setup Finished

You can now print and scan using your machine.

#### Important Notice for Network Security:

The default password to manage this machine's settings is located on the back of the machine and marked "Pwd". We recommend immediately changing the default password to protect your machine from unauthorised access.

### Can't Connect? Check the following:



\* Not available for DCP-L1628.

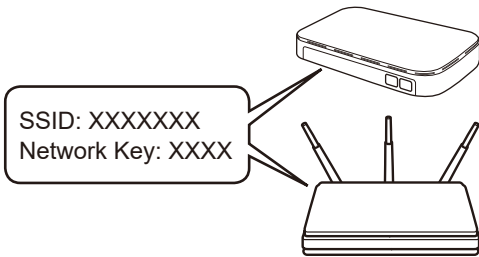
## 5 Manual wireless setup\*

If the wireless setup is unsuccessful, set up the connection manually.

\* Not available for DCP-L1628.

Find your SSID (Network Name) and Network Key (Password) on your wireless access point or router and write them in the table provided below.

SSID (Network Name)	
Network Key (Password)	



Press 设置, and then select [Network] > [WLAN (Wi-Fi)] > [Find Network]. Follow the LCD instructions.

Select the SSID (Network Name) for your access point or router and enter the Network Key (Password).

Press and hold (or press repeatedly) ▲ or ▼ to select one of the following characters:  
0123456789abcdefghijklmnopqrstuvwxyz  
ABCDEFGHIJKLMNOPQRSTUVWXYZ  
(space)!"#\$%&'()\*+,-./:;<=>?@[^\_`{|}~

When the wireless setup is successful, the LCD displays [Connected].

Go to 4 to install software.

If you cannot find this information, ask your network administrator or wireless access point or router manufacturer.

If the setup is unsuccessful, restart your Brother machine and your wireless access point or router, and repeat 5. If still unsuccessful, visit [www.95105369.com](http://www.95105369.com).

## Setup Complete

### Connect with WeChat

Your machine can print through an applet of WeChat, which is called “兄弟畅享印”. “兄弟畅享印” lets you wirelessly print photos and documents without the need to install an app or a driver.

Binding your printer before using WeChat print function for the first time. Please scan the QR Code on the right for operation instructions.

