



Replace Supplies Guide








HL-L8260CDW/HL-L8360CDW/HL-L8360CDWT/HL-L9310CDW/

MFC-L8610CDW/MFC-L8900CDW/MFC-L8895CDW/MFC-L8905CDW/

MFC-L9570CDW

Definitions of Notes

We use the following symbols and conventions throughout this User's Guide:

 WARNING	WARNING indicates a potentially hazardous situation which, if not avoided, could result in death or serious injuries.
 CAUTION	CAUTION indicates a potentially hazardous situation which, if not avoided, may result in minor or moderate injuries.
IMPORTANT	IMPORTANT indicates a potentially hazardous situation which, if not avoided, may result in damage to property or loss of product functionality.
NOTE	NOTE specifies the operating environment, conditions for installation, or special conditions of use.
	Tips icons indicate helpful hints and supplementary information.
	Electrical Hazard icons alert you to possible electrical shock.
	Fire Hazard icons alert you to the possibility of a fire.
	Hot Surface icons warn you not to touch hot machine parts.
	Prohibition icons indicate actions you must not perform.
Bold	Bold style identifies buttons on the machine's control panel or computer screen.
<i>Italics</i>	Italicized style emphasizes an important point or refers you to a related topic.
Courier New	Courier New font identifies messages shown on the machine's LCD.

Important Notes

- Not all models are available in all countries.
- The screens or images in this User's Guide are for illustration purposes only and may differ from those of the actual products.
- The contents of this document and the specifications of this product are subject to change without notice.

Table of Contents

Replace Supplies	1
Replace the Toner Cartridge	3
Replace the Drum Unit.....	6
Replace the Belt Unit	10
Replace the Waste Toner Box	13
Reset the Drum Counter	17
Reset the Belt Unit Counter	18

Replace Supplies

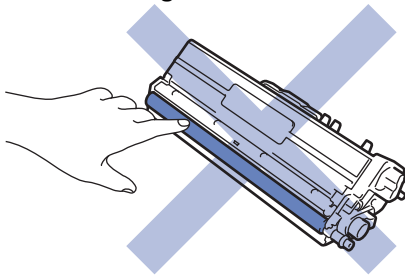
You must replace supplies when the machine indicates that the life of the supply is over.

Using non-Brother supplies may affect the print quality, hardware performance, and machine reliability. The toner cartridge and drum unit are two separate supplies. Make sure both are installed as an assembly. The order number of supplies may vary depending on the country.

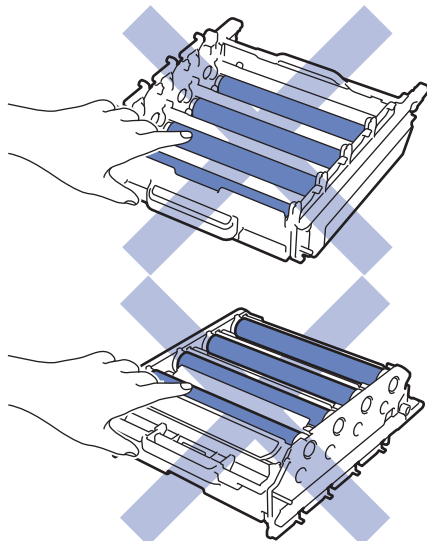
NOTE

- Be sure to seal up the used supplies tightly in a bag so that toner powder does not spill out of the cartridge.
- Visit www.brother.com/original/index.html for instructions on how to return your used supplies to the Brother collection program. If you choose not to return your used supply, discard the used supply according to local regulations, keeping it separate from domestic waste. If you have questions, contact your local waste disposal office.
- We recommend placing used and new supplies on a piece of paper to prevent accidentally spilling or scattering the material inside.
- If you use paper that is not a direct equivalent for the recommended print media, the life of supplies and machine parts may be reduced.
- The projected life for each of the toner cartridges is based on ISO/IEC 19798. Frequency of replacement will vary depending on the print volume, percentage of coverage, types of media used, and powering on/off the machine.
- Frequency of replacing supplies except toner cartridges will vary depending on the print volume, types of media used, and powering on/off the machine.
- Handle the toner cartridge carefully. If toner scatters on your hands or clothes, immediately wipe or wash it off with cold water.
- To avoid print quality problems, DO NOT touch the shaded parts shown in the illustrations.

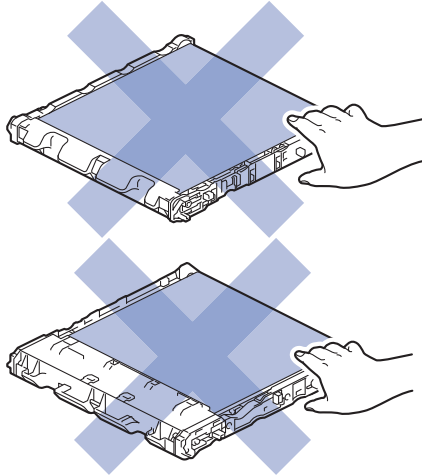
Toner cartridge



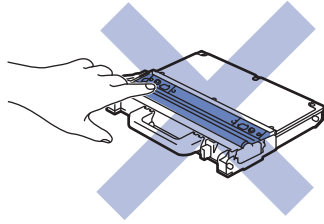
Drum unit



Belt unit



Waste toner box



Related Information

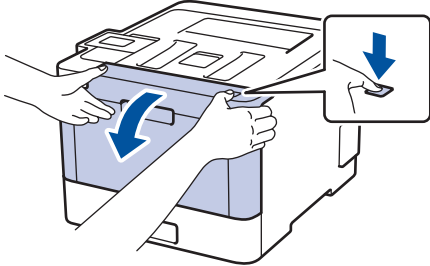
Related Topics:

- [Replace the Toner Cartridge](#)
 - [Replace the Drum Unit](#)
 - [Replace the Belt Unit](#)
 - [Replace the Waste Toner Box](#)
 - [Reset the Drum Counter](#)
 - [Reset the Belt Unit Counter](#)
-

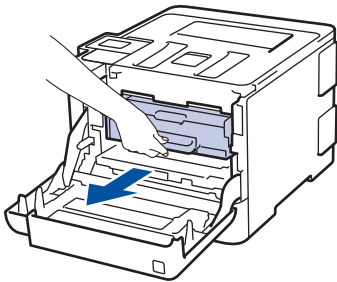
Replace the Toner Cartridge

Before starting the replacement procedure, see *Related Information: Replace Supplies*.

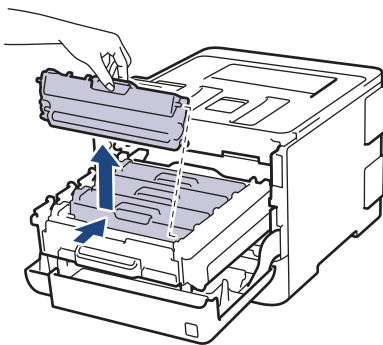
1. Make sure the machine is turned on.
2. Press the front cover release button and pull open the front cover.



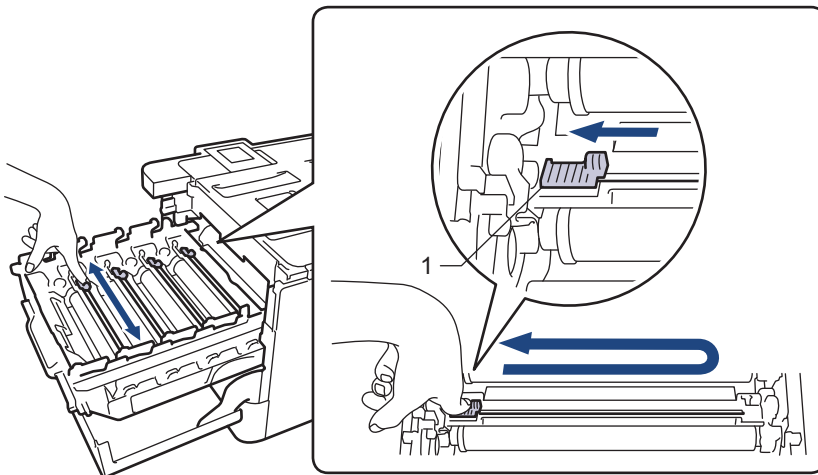
3. Hold the drum unit's green handle. Pull the drum unit out of the machine until it stops.



4. Hold the handle of the toner cartridge and gently push it away from you to unlock it. Pull it up and out of the drum unit. Repeat this for all toner cartridges.



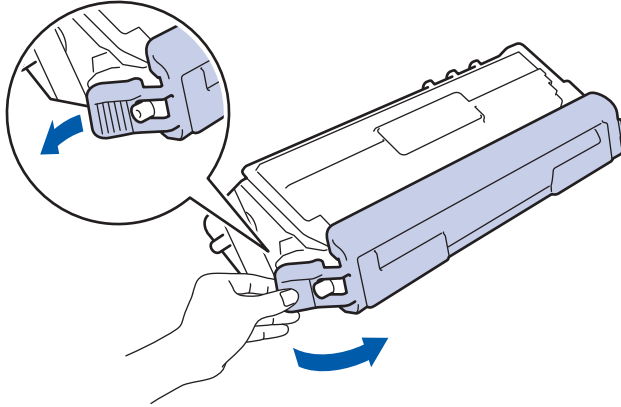
5. Clean the corona wire inside the drum unit by gently sliding the green tab from left to right and right to left several times. Repeat this for all the corona wires.



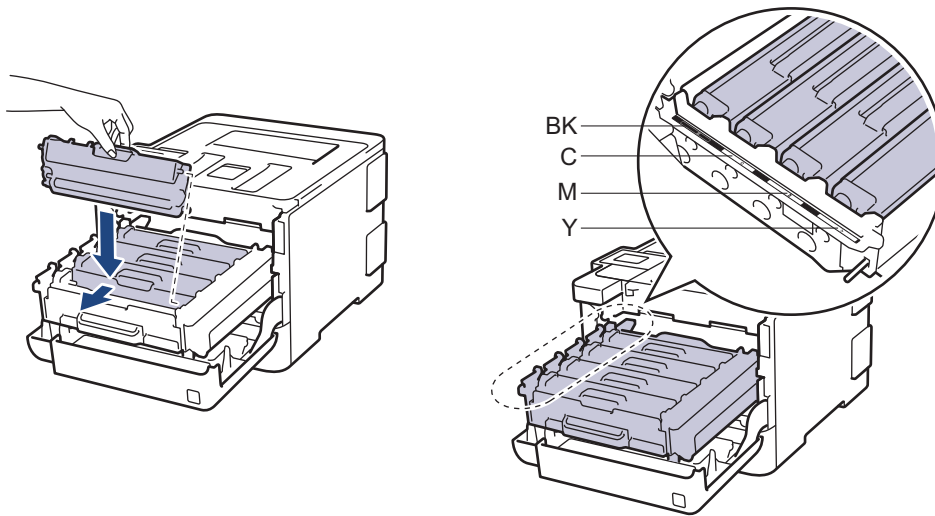
To avoid poor print quality, be sure to lock the green tab into the home position (1), flush left with the left side of the drum.

6. Unpack the new toner cartridge.

7. Remove the protective cover.



8. Insert the toner cartridge into the drum unit and gently pull it toward you until you hear it lock into place. Make sure that you match the toner cartridge color to the same color label on the drum unit. Repeat this for all toner cartridges.

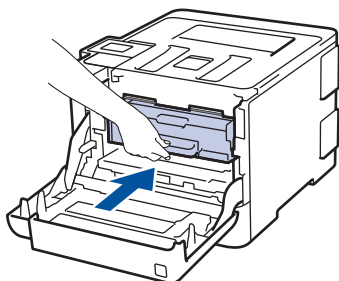


- BK: Black
- C: Cyan
- M: Magenta
- Y: Yellow



Make sure you put the toner cartridge in correctly or it may separate from the drum unit.

9. Using the green handle, push the drum unit back into the machine until it locks in place.



10. Close the machine's front cover.



-
- After replacing a toner cartridge, DO NOT turn off the machine or open the front cover until the machine's display returns to Ready Mode.
 - The toner cartridge that comes with your Brother machine is a Starter toner cartridge.
 - We recommend keeping a new toner cartridge ready for use when you see the Toner Low warning.
 - To ensure high quality printing, we recommend using only Genuine Brother Brand toner cartridges. When you want to buy toner cartridges, contact Brother Customer Service.
 - DO NOT unpack the new toner cartridge until you are ready to install it.
 - If a toner cartridge is left unpacked for a long time, the toner life will be shortened.
 - Brother strongly recommends you DO NOT refill the toner cartridge provided with your machine. We also strongly recommend you continue to use only Genuine Brother Brand replacement toner cartridges. Use or attempted use of third-party toner and/or cartridges in the Brother machine may cause damage to the machine and/or may result in unsatisfactory print quality. Our limited warranty coverage does not apply to any problem that is caused by the use of third party toner and/or cartridges. To protect your investment and obtain premium performance from the Brother machine, we strongly recommend the use of Genuine Brother Supplies.
-



Related Information

Related Topics:

- [Replace Supplies](#)
-

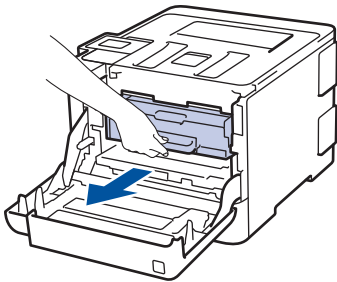
Replace the Drum Unit

Before starting the replacement procedure, see *Related Information: Replace Supplies*.

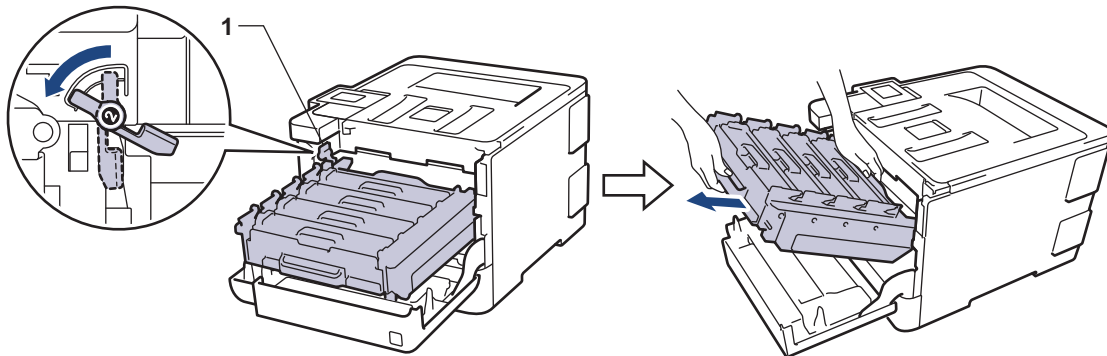
1. Make sure the machine is turned on.
2. Press the front cover release button and pull open the front cover.



3. Hold the drum unit's green handle. Pull the drum unit out of the machine until it stops.

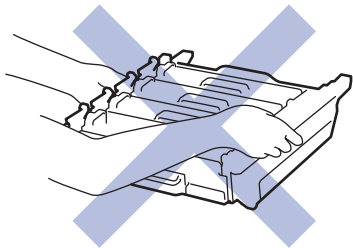


4. Turn the green lock lever (1) counterclockwise until it locks in the release position. Holding the green handles of the drum unit, lift the front of the drum unit and remove it from the machine.



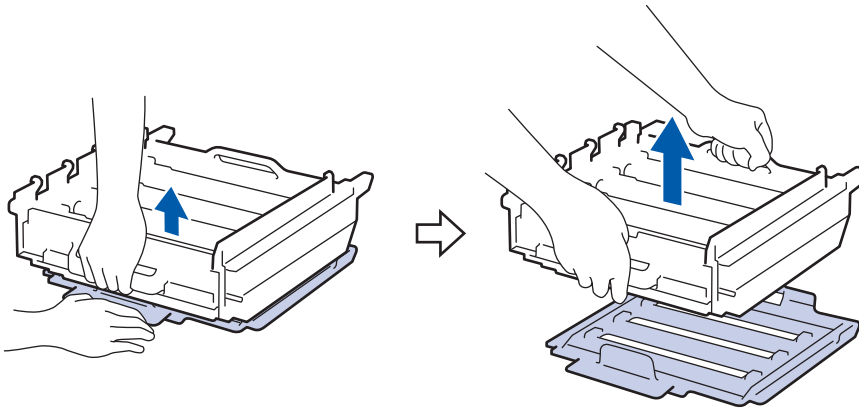
IMPORTANT

Hold the green handles of the drum unit when you carry it. DO NOT hold the sides of the drum unit.

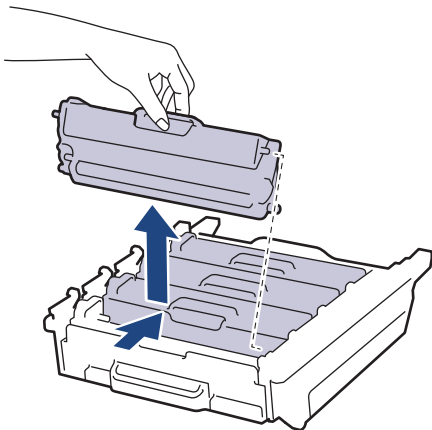


5. Unpack the new drum unit.

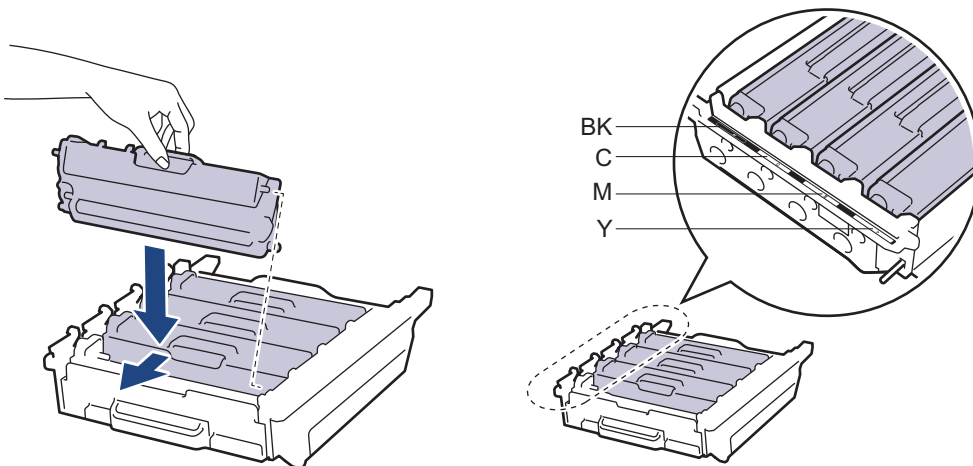
6. Remove the protective cover.



7. Hold the handle of the toner cartridge and gently push it away from you to unlock it. Pull it up and out of the drum unit. Repeat this for all toner cartridges.



8. Reinsert the toner cartridge into the new drum unit and gently pull it toward you until you hear it lock into place. Make sure that you match the toner cartridge color to the same color label on the drum unit. Repeat this for all toner cartridges.

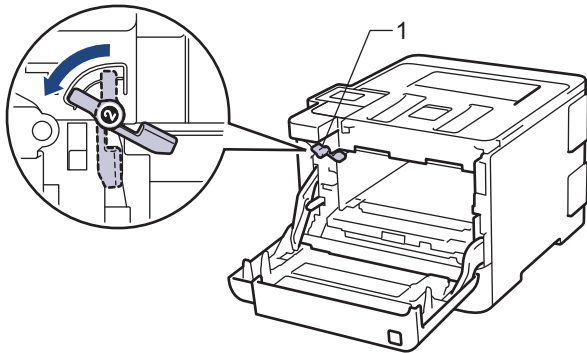


- BK: Black
- C: Cyan
- M: Magenta
- Y: Yellow

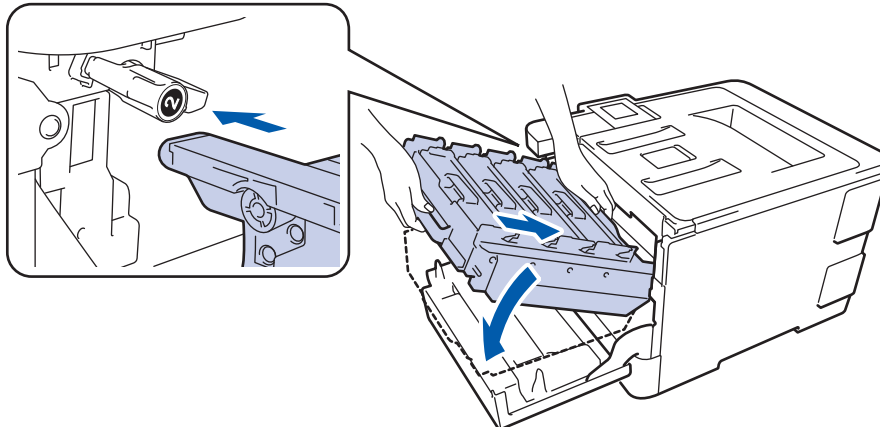


Make sure you put the toner cartridge in correctly or it may separate from the drum unit.

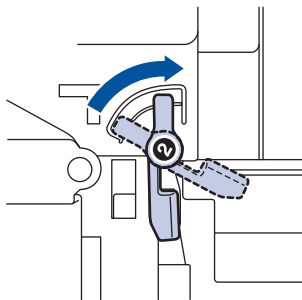
9. Make sure the green lock lever (1) is in the release position, as shown in the illustration.



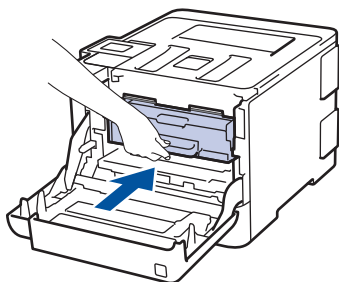
10. Gently slide the drum unit into the machine until it stops at the green lock lever.



11. Turn the green lock lever clockwise to the lock position.



12. Using the green handle, push the drum unit back into the machine until it locks in place.



13. Close the machine's front cover.



After installing the new drum unit, you must reset the drum counter. See *Related Information: Reset the Drum Counter*.

NOTE

- Drum wear and tear occurs due to use and rotation of the drum and interaction with paper, toner and other materials in the paper path. In designing this product, Brother decided to use the number of rotations of the drum as a reasonable determinant of the drum life. When a drum reaches the factory-established rotation limit corresponding to the rated page yield, the product's LCD will advise you to replace the drum. The product will continue to function; however, print quality may not be optimal.

-
- If an unpacked drum unit is placed in direct sunlight (or room light for long periods of time), the unit may be damaged.
 - For best performance, use only genuine Brother toner.
 - The machine should be used only in a clean, dust-free environment with adequate ventilation.

Printing with a non-Brother drum unit may reduce not only the print quality but also the quality and life of the machine itself. Warranty coverage does not apply to problems caused by the use of a non-Brother drum unit.



Related Information

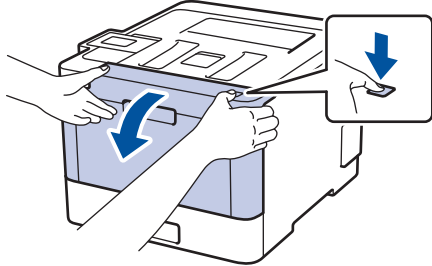
Related Topics:

- [Replace Supplies](#)
 - [Reset the Drum Counter](#)
-

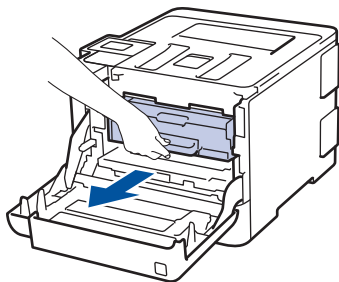
Replace the Belt Unit

Before starting the replacement procedure, see *Related Information: Replace Supplies*.

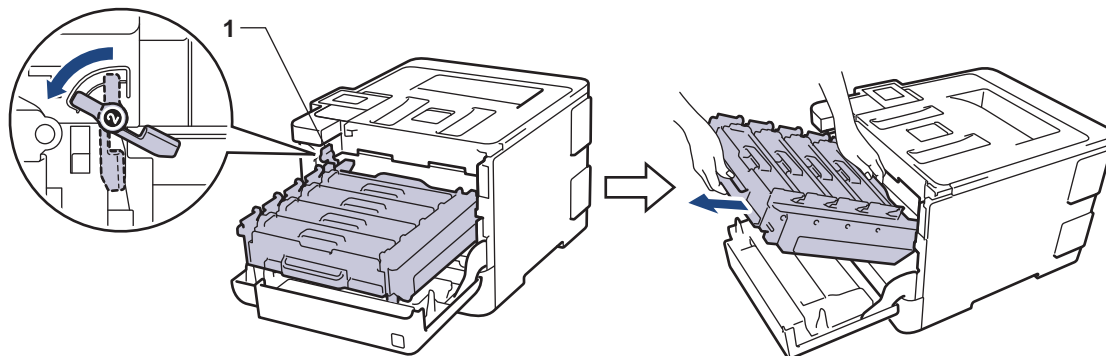
1. Make sure the machine is turned on.
2. Press the front cover release button and pull open the front cover.



3. Hold the drum unit's green handle. Pull the drum unit out of the machine until it stops.

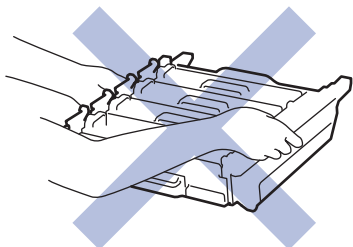


4. Turn the green lock lever (1) counterclockwise until it locks in the release position. Holding the green handles of the drum unit, lift the front of the drum unit and remove it from the machine.

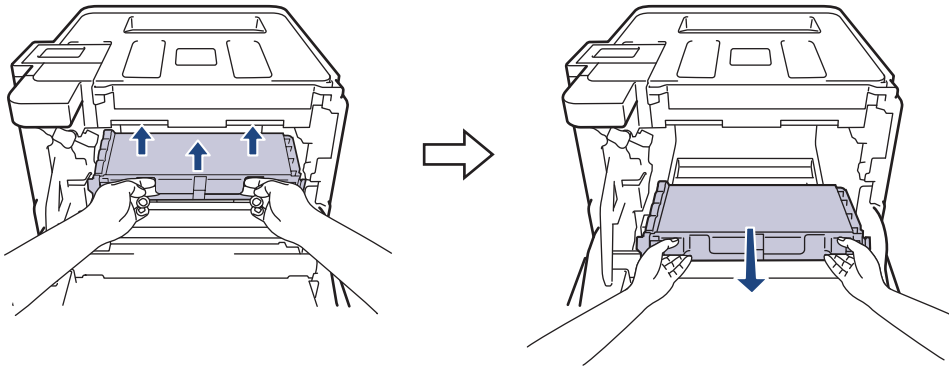


IMPORTANT

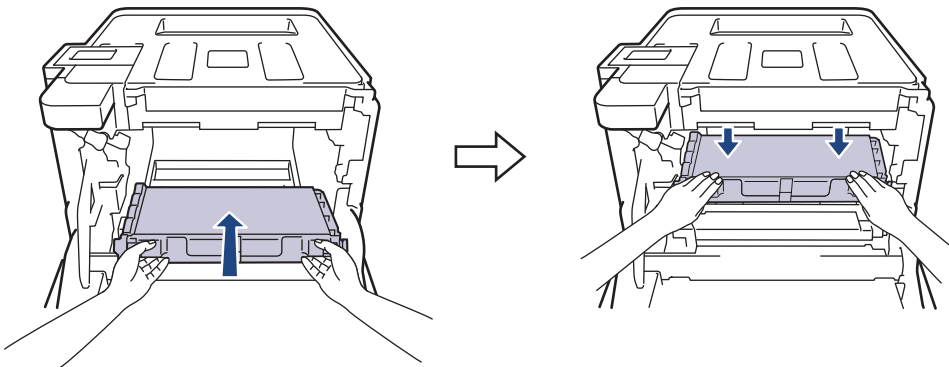
Hold the green handles of the drum unit when you carry it. DO NOT hold the sides of the drum unit.



5. Hold the green handle of the belt unit with both hands and lift the belt unit up, then pull it out.

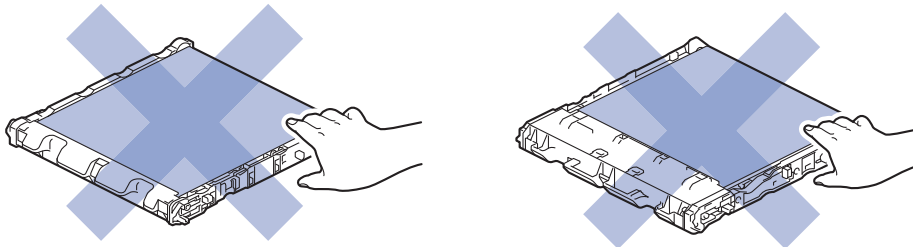


6. Unpack the new belt unit and install the new belt unit in the machine. Make sure the belt unit is level and fits firmly into place.

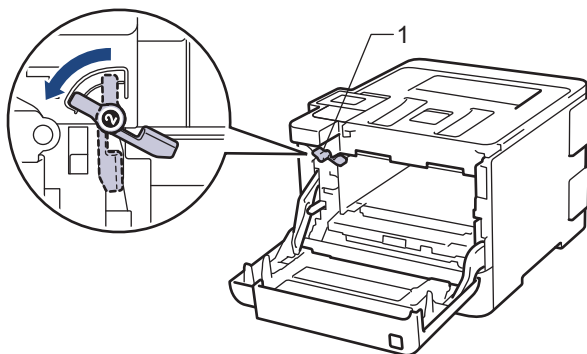


NOTE

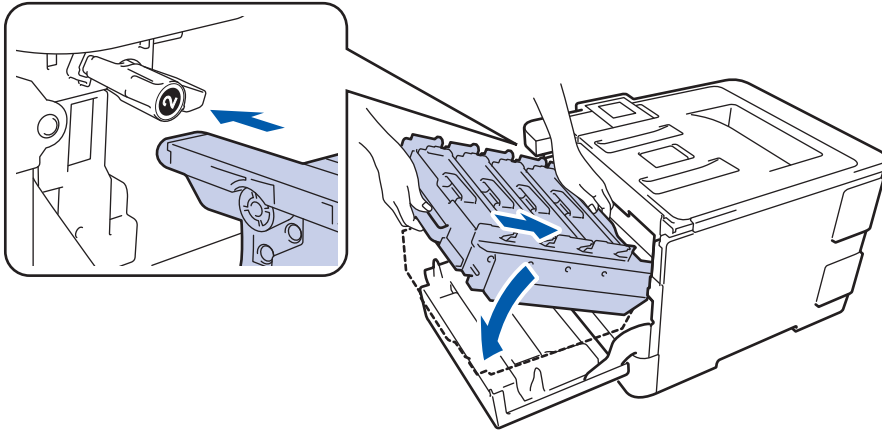
To avoid print quality problems, DO NOT touch the shaded parts shown in the illustrations.



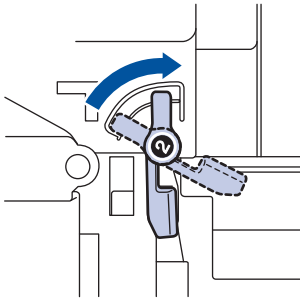
7. Make sure the green lock lever (1) is in the release position, as shown in the illustration.



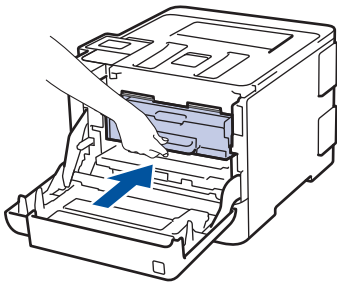
8. Gently slide the drum unit into the machine until it stops at the green lock lever.



9. Turn the green lock lever clockwise to the lock position.



10. Using the green handle, push the drum unit back into the machine until it locks in place.



11. Close the machine's front cover.



After installing the new belt unit, you must reset the counter. See *Related Information: Reset the Belt Unit Counter*.

✓ Related Information

Related Topics:

- [Replace Supplies](#)
 - [Reset the Belt Unit Counter](#)
-

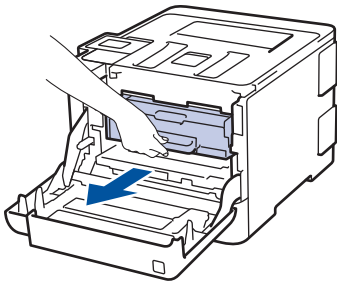
Replace the Waste Toner Box

Before starting the replacement procedure, see *Related Information: Replace Supplies*.

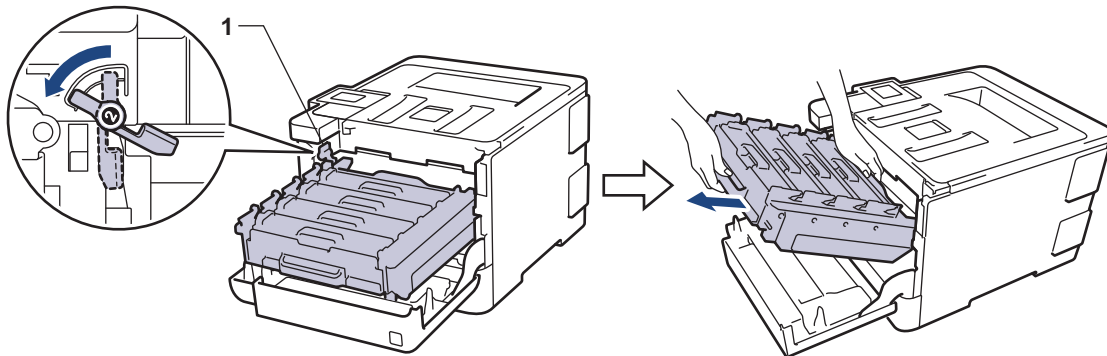
1. Make sure the machine is turned on.
2. Press the front cover release button and pull open the front cover.



3. Hold the drum unit's green handle. Pull the drum unit out of the machine until it stops.

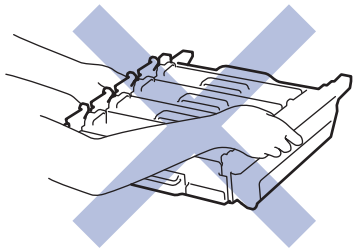


4. Turn the green lock lever (1) counterclockwise until it locks in the release position. Holding the green handles of the drum unit, lift the front of the drum unit and remove it from the machine.

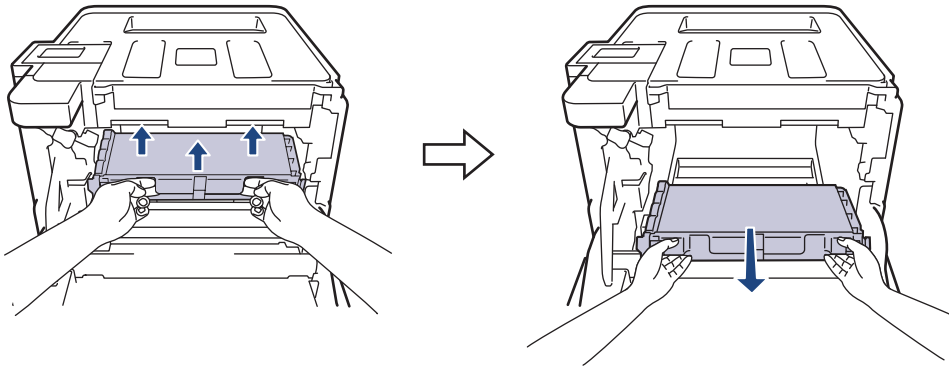


IMPORTANT

Hold the green handles of the drum unit when you carry it. DO NOT hold the sides of the drum unit.

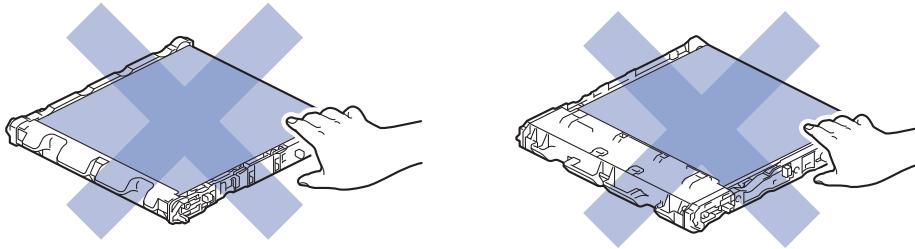


-
5. Hold the green handle of the belt unit with both hands and lift the belt unit up, then pull it out.

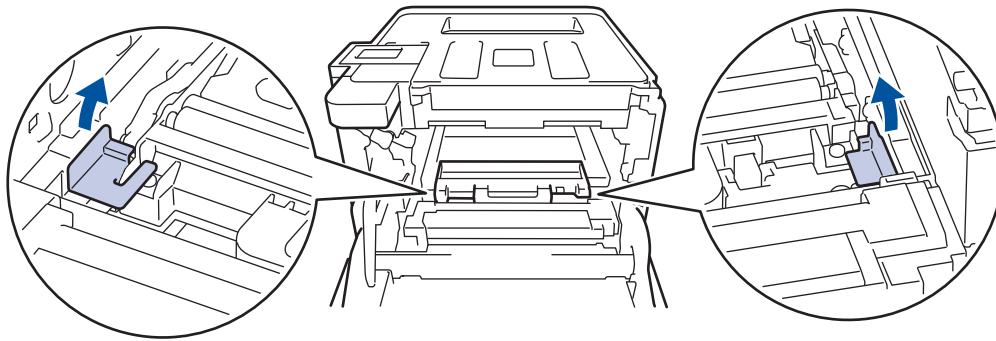


NOTE

To avoid print quality problems, DO NOT touch the shaded parts shown in the illustrations.

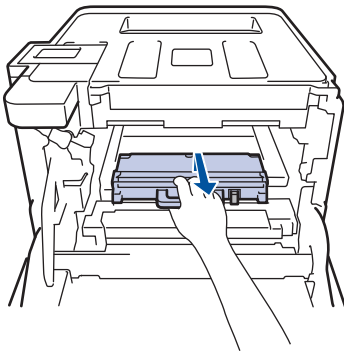


-
6. Remove the two pieces of orange packing material and discard them.



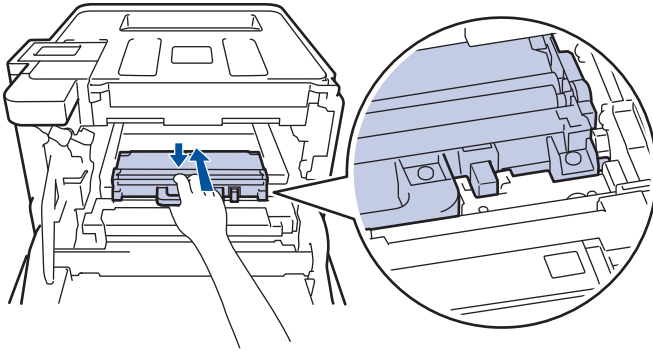
This step is only necessary when you are replacing the waste toner box for the first time, and is not required for the replacement waste toner box. The orange packing pieces are installed at the factory to protect your machine during shipment.

-
7. Hold the blue handle of the waste toner box and remove the waste toner box from the machine.

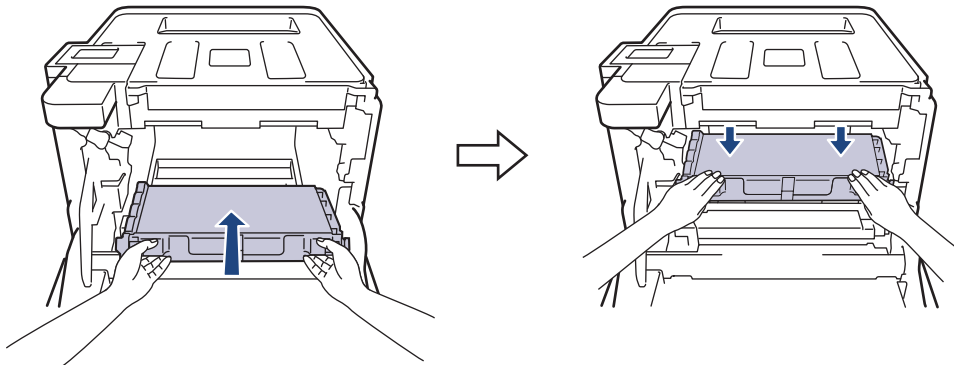


DO NOT reuse the waste toner box.

8. Unpack the new waste toner box and install the new waste toner box in the machine using the blue handle. Make sure the waste toner box is level and fits firmly into place.

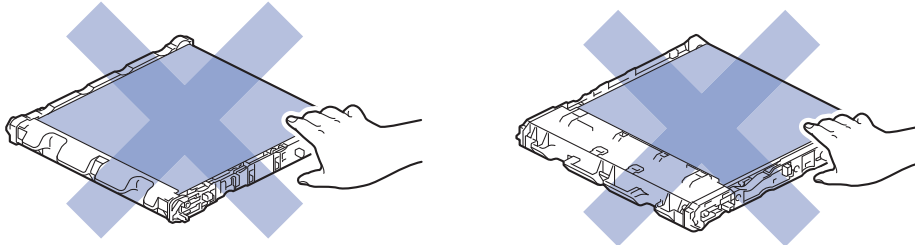


9. Slide the belt unit back into the machine. Make sure the belt unit is level and fits firmly into place.

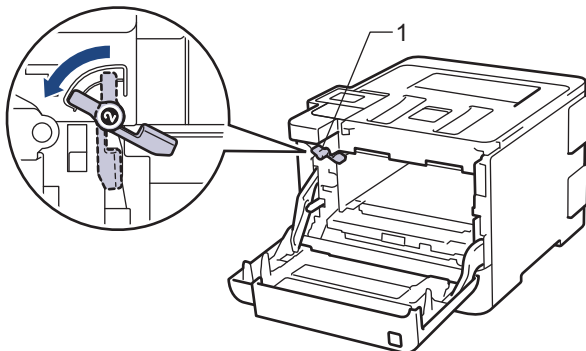


NOTE

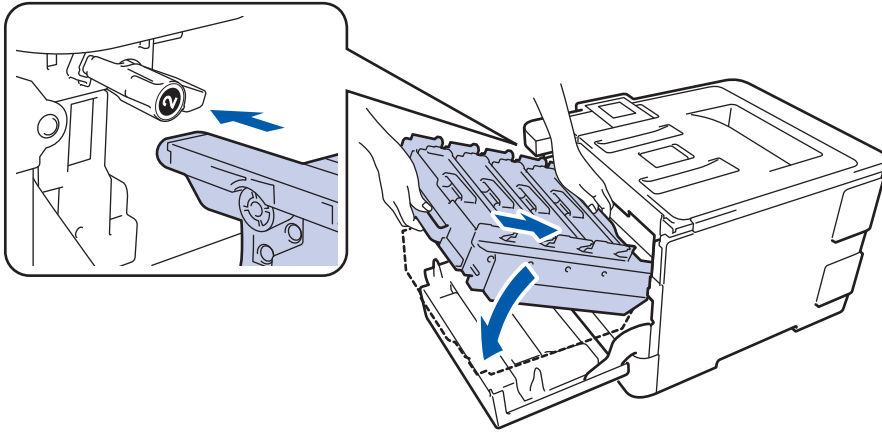
To avoid print quality problems, DO NOT touch the shaded parts shown in the illustrations.



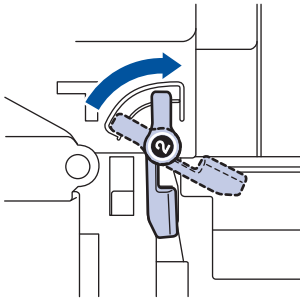
10. Make sure the green lock lever (1) is in the release position, as shown in the illustration.



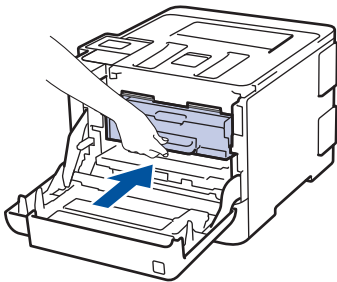
11. Gently slide the drum unit into the machine until it stops at the green lock lever.



12. Turn the green lock lever clockwise to the lock position.



13. Using the green handle, push the drum unit back into the machine until it locks in place.



14. Close the machine's front cover.

✓ Related Information

Related Topics:

- [Replace Supplies](#)

Reset the Drum Counter

When you replace the drum unit with a new one, you must reset the drum counter by completing the following steps:

IMPORTANT

DO NOT reset the drum counter unless you are replacing the drum unit.

>> [HL-L8260CDW](#)



>> [HL-L8360CDW/HL-L8360CDWT/HL-L9310CDW](#)

>> [MFC-L8610CDW/MFC-L8900CDW/MFC-L8895CDW/MFC-L8905CDW/MFC-L9570CDW](#)

HL-L8260CDW

1. Make sure the machine is turned on.
2. Press **▲** or **▼** to select the following:
 - a. Select [Machine Info.]. Press **OK**.
 - b. Select [Parts Life]. Press **OK**.
 - c. Select [Drum]. Press **OK**.
3. Press and hold **OK** for about five seconds.
4. Press **▲** to select [Reset].

HL-L8360CDW/HL-L8360CDWT/HL-L9310CDW


1. Make sure the machine is turned on.
2. Press  [Settings] > [All Settings] > [Machine Information] > [Parts Life].
3. Press and hold [Drum] until the touchscreen message changes.
4. Press [Yes].
5. Press .

MFC-L8610CDW/MFC-L8900CDW/MFC-L8895CDW/MFC-L8905CDW/ MFC-L9570CDW

1. Make sure the machine is turned on.
2. Press  [Settings] > [All Settings] > [Machine Info.] > [Parts Life].



If your machine displays the [All Settings] menu on the Home screen, skip the [Settings] menu.

3. Press and hold [Drum] until the touchscreen message changes.
4. Press [Yes].
5. Press .

Related Information

Related Topics:

- [Replace Supplies](#)
- [Replace the Drum Unit](#)

Reset the Belt Unit Counter

When you replace a belt unit with a new one, you must reset the belt unit counter.

>> [HL-L8260CDW](#)



>> [HL-L8360CDW/HL-L8360CDWT/HL-L9310CDW](#)

>> [MFC-L8610CDW/MFC-L8900CDW/MFC-L8895CDW/MFC-L8905CDW/MFC-L9570CDW](#)


HL-L8260CDW

1. Make sure the machine is turned on.
2. Press **▲** or **▼** to select the following:
 - a. Select [Machine Info.]. Press **OK**.
 - b. Select [Parts Life]. Press **OK**.
 - c. Select [Belt]. Press **OK**.
3. Press and hold **OK** for about five seconds.
4. Press **▲** to select [Reset].

HL-L8360CDW/HL-L8360CDWT/HL-L9310CDW


1. Make sure the machine is turned on.
2. Press  [Settings] > [All Settings] > [Machine Information] > [Parts Life].
3. Press and hold [Belt] until the touchscreen message changes.
4. Press [Yes].
5. Press .

MFC-L8610CDW/MFC-L8900CDW/MFC-L8895CDW/MFC-L8905CDW/ MFC-L9570CDW

1. Make sure the machine is turned on.
2. Press  [Settings] > [All Settings] > [Machine Info.] > [Parts Life].



If your machine displays the [All Settings] menu on the Home screen, skip the [Settings] menu.

3. Press and hold [Belt] until the touchscreen message changes.
4. Press [Yes].
5. Press .

Related Information

Related Topics:

- [Replace Supplies](#)
- [Replace the Belt Unit](#)

brother

These machines are approved for use in the country of purchase only. Local Brother companies or their dealers may only support machines purchased in their own countries.



USA/CAN
Version 0