

SEWING MACHINE  
MACHINE À COUDRE

brother®

**PQ1500S**  
**OPERATION MANUAL**  
**MANUEL D'UTILISATION**



# “IMPORTANT SAFETY INSTRUCTIONS”

“Read all instructions before using.”

When using a sewing machine, basic safety precautions should always be taken, including the following:

## **DANGER** — To reduce the risk of electric shock:

- The sewing machine should never be left unattended while plugged in. Always unplug the sewing machine from the electrical outlet immediately after using and before cleaning.
- Always unplug before changing the light bulb. Replace bulb with same type rated 120V 15 watts for 120V model or rated 240V 15 watts for 220-240V model.

## **WARNING** — To reduce the risk of burns, fire, electric shock, or injury:

- Do not allow this sewing machine to be used as a toy. Close attention is necessary when the sewing machine is used by or near children.
- Use this sewing machine only for its intended use as described in this manual. Use only accessories recommended by the manufacturer as contained in this manual.
- Never operate this sewing machine if it has a damaged cord or plug, if it is not working properly, if it has been dropped or damaged, or dropped into water. Return the sewing machine to the nearest authorized dealer or service center for examination, repair, electrical or mechanical adjustment.
- Never operate the sewing machine with any air openings blocked. Keep ventilation openings of the sewing machine and foot control free from the accumulation of lint, dust, and loose cloth.
- Never drop or insert any object into any opening.
- Do not use outdoors.
- Do not operate where aerosol (spray) products are being used or where oxygen is being administered.
- To disconnect, turn the main switch to the symbol “O” position which represents off, then remove plug from outlet.
- Do not unplug by pulling on cord. To unplug, grasp the plug, not the cord.
- Keep fingers away from all moving parts. Special care is required around the sewing machine needle.
- Always use the proper needle plate. The wrong plate can cause the needle to break.
- Do not use bent needles.
- Do not pull or push fabric while stitching. It may deflect the needle causing it to break.
- Turn off power to the machine by flipping the ON/OFF switch to the symbol “O” before making any adjustments in the needle area, such as threading the needle, changing the needle, threading the bobbin or changing the presser foot etc.
- Always unplug the sewing machine from the electrical outlet when removing covers, lubricating, or when making any other user servicing adjustments mentioned in the instruction manual.
- This sewing machine is not intended for use by young children or infirm persons without supervision.
- Young children should be supervised to ensure that they do not play with this sewing machine.

**CAUTION For U.S.A. only**— This appliance has a polarized plug (one blade wider than the other) to reduce the risk of electric shock, this plug is intended to fit in a polarized outlet only one way.

If the plug does not fit fully in the outlet, reverse the plug.

If it still does not fit, contact a qualified electrician to install the proper outlet.

Do not modify the plug in any way.

## “SAVE THESE INSTRUCTIONS”

## “This sewing machine is intended for household use.”


# FOR USERS IN THE UK, EIRE, MALTA AND CYPRUS ONLY

If your sewing machine is fitted with a three-pin non-rewireable BS plug then please read the following.

## IMPORTANT

If the available socket outlet is not suitable for the plug supplied with this equipment, it should be cut off and an appropriate three-pin plug fitted. With alternative plugs an approved fuse must be fitted in the plug.

### NOTE

The plug served from the main lead must be destroyed as a plug with bared flexible cords is hazardous if engaged in a live socket outlet. In the event of replacing the plug fuse, use a fuse approved by ASTA to BS 1362, i.e. carrying the  mark, rating as marked on plug.

Always replace the fuse cover, never use plugs with the fuse cover omitted.

### WARNING

**DO NOT CONNECT EITHER WIRE TO THE EARTH TERMINAL WHICH IS MARKED WITH THE LETTER 'E', BY THE EARTH SYMBOL  OR COLOURED GREEN OR GREEN AND YELLOW.**

The wires in this main lead are coloured in accordance with the following code:

Blue            Neutral

Brown          Live

As the colours of the wiring in the main lead of this appliance may not correspond with the coloured markings identifying the terminals in your plug, proceed as follows.

The wire which is coloured blue must be connected to the terminal which is marked with the letter 'N' or coloured black or blue.

The wire which is coloured brown must be connected to the terminal which is marked with the letter 'L' or coloured red or brown.

# CONGRATULATIONS ON CHOOSING A BROTHER SEWING MACHINE

Your machine is one of the finest sewing machines available for home use.  
To fully enjoy all the features incorporated into it, we suggest that you study this booklet.

## PLEASE READ BEFORE USING YOUR SEWING MACHINE

### For safe operation

- Be sure to watch the placement of your hands in relation to the needle while sewing. Do not touch moving parts such as the balance wheel, thread take-up or needle while the machine is operating.
- Remember to turn off the power switch and unplug the cord when:
  - Operation is completed
  - Replacing or removing the needle or any other parts
  - A power failure occurs during use
  - Maintaining the machine
  - Leaving the machine unattended
- Do not place anything on the foot controller.
- Plug the machine directly into the wall outlet. Do not use extension cords.

### For a longer service life

- When storing your sewing machine, avoid direct sunlight and high humidity locations. Do not store the sewing machine beside a space heater, iron, or other hot objects.
- Use only neutral soaps or detergents to clean the case. Benzene, thinner, and scouring powders can damage the case and machine, and should never be used.
- Do not drop or hit the machine.
- Always consult the operation manual when replacing any accessories, including: the presser feet, needle or other parts to assure correct installation.

### For repair or adjustment

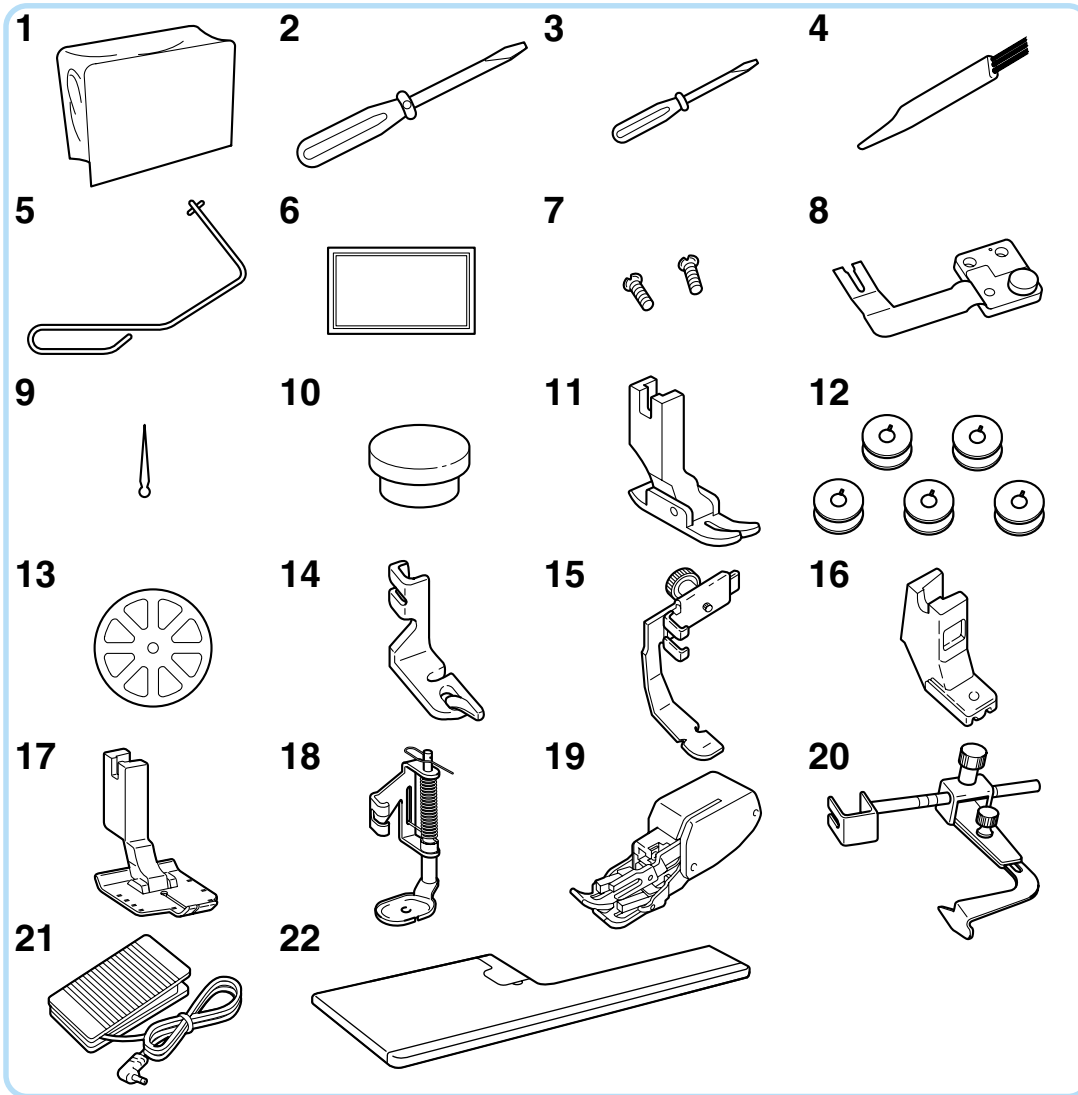
In the event that a malfunction occurs or adjustment is required, first follow the troubleshooting table in the back of the operation manual to inspect and adjust the machine yourself. If the problem persists, please consult your nearest authorized Brother service center.

To find out the name and phone number for your authorized Brother service center visit [www.brother.com](http://www.brother.com) and use our convenient dealer locator.

# CONTENTS

<b>Accessories</b> .....	<b>1</b>	<b>Stitch Samples and Needle Chart</b> .....	<b>12</b>
<b>Machine Features</b> .....	<b>2</b>	Stitch Samples .....	12
<b>Before You Begin</b> .....	<b>3</b>	Thread Tension .....	12
Power Cord and Foot Controller .....	3	<b>Changing Presser Feet</b> .....	<b>13</b>
Power Switch .....	3	Changing Presser Feet (Zipper Foot) .....	13
Thread Tension Dial .....	3	Presser Feet .....	13
Hand Wheel .....	3	<b>Basic Sewing</b> .....	<b>14</b>
Stitch Length Regulator .....	3	Basic Sewing .....	14
Reverse Stitch Lever .....	3	Pin Feeding (for hard-to-handle fabrics) .....	14
Presser Foot Lift Lever .....	4	Pin Feeding Mechanism .....	14
Knee Lift .....	4	Rolled Hem Foot .....	15
Presser Foot Pressure Adjustment Dial .....	4	Zipper Foot .....	16
Fabric Extension Table .....	4	Invisible Zipper Foot .....	17
Thread Cutter Button .....	5	1/4" Foot .....	17
Needle Stop Position Button .....	5	Quilting Foot .....	18
Light Switch .....	5	Walking Foot .....	18
Feed Dog Adjustment Knob .....	5	Fabric Separator (for joining lining to fabric) .....	19
<b>Changing Needles and Light Bulb</b> .....	<b>6</b>	Seam Guide .....	19
Changing the Needle .....	6	<b>Caring for Your Machine</b> .....	<b>20</b>
Changing the Feed Pin .....	6	Cleaning the Machine .....	20
Changing Light Bulbs .....	6	Lubrication Points .....	20
<b>Threading</b> .....	<b>7</b>	<b>Trouble Shooting</b> .....	<b>21</b>
Bobbin Winding .....	7		
Bobbin Insertion .....	9		
Upper Threading .....	10		
Using the Automatic Needle Threader .....	10		

# Accessories

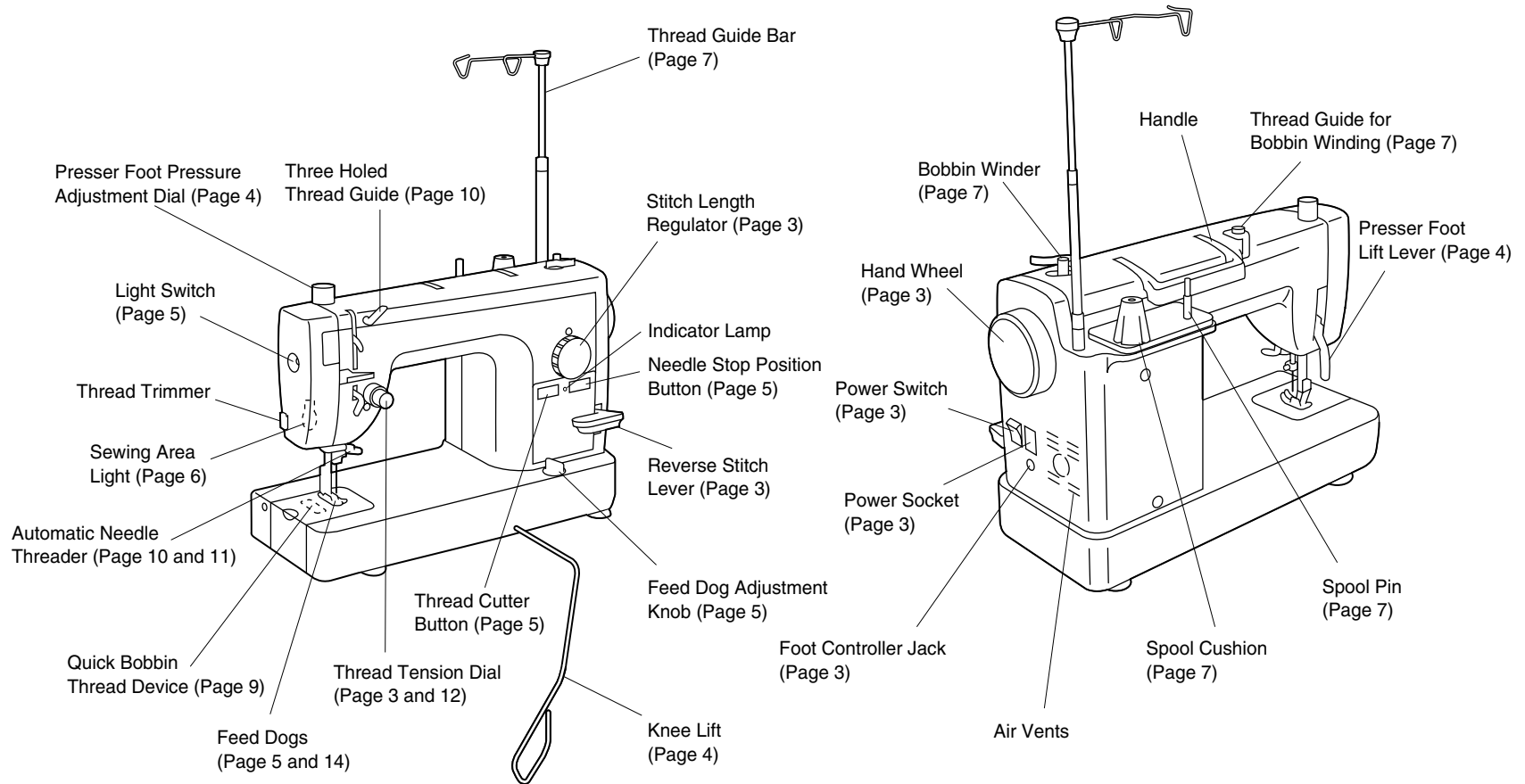


No.	Part Name	Part Code	
1	Cover	XA0917-052	
2	Medium Screwdriver	125877-001	
3	Small Screwdriver	125878-001	
4	Cleaning Brush	XA4527-001	
5	Knee Lift	XA0830-051	
6	Needles and Case (ORGAN HLX5)	1 Size 9 2 Size 11 1 Size 14 1 Size 16 1 Ballpoint Needle	X80805-001
7	Lining Plate Screw (2)	062670-812	
8	Fabric Separator	184720-001	
9	Feed Pin	138483-001	
10	Feed Pin Changer	XC1407-051	
11	General Purpose Foot	XA1425-001	
12	Bobbin (5)	SA159	
13	Spool Cap	XA2111-000	
14	Rolled Hem Foot	X57138-001	
15	Zipper Foot	112797-001	
16	Invisible Zipper Foot	148475-001	
17	1/4" Foot	XA7258-001	
18	Quilting Foot	XA7255-201	
19	Walking Foot	XA7253-001	
20	Seam Guide	XA7256-001	
21	Foot Controller	XC1220-051	
22	Fabric Extension Table	XC1387-051	

**Note**

Foot controller: Model P  
This foot controller is used for sewing machine model PQ1500S.

# Machine Features



# Before You Begin (1)

## Power Cord and Foot Controller

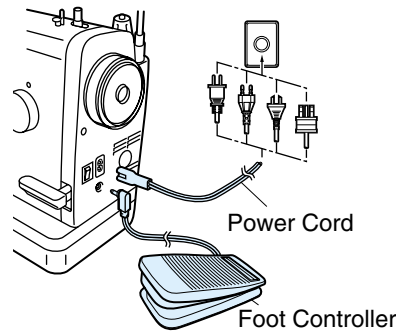
### Note

Please use common household current.

- Plug in cord.
- Plug foot controller into machine.

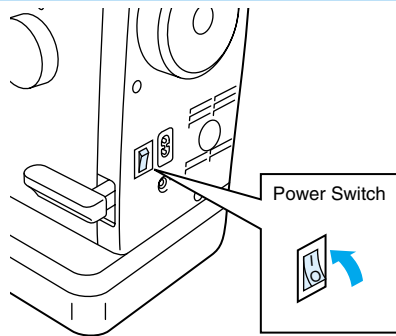
### Note

Foot controller: Model P  
This foot controller is used for sewing machine model PQ1500S.



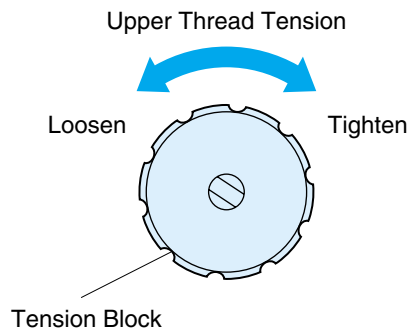
## Power Switch

- Flip power switch to "I" position to turn on.
- To switch power off, flip switch to "O" position.



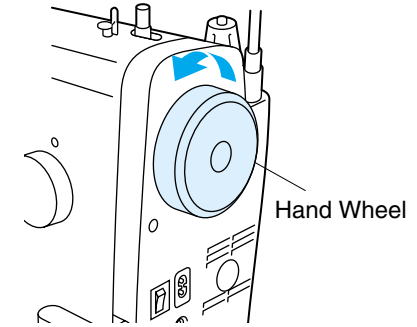
## Thread Tension Dial

- When tighter thread tension is desired, turn the tension dial to the right. Upper and bobbin threads will meet on right side of the fabric.
- When looser thread tension is desired, turn tension dial to the left. Upper and lower threads will then meet on wrong side of fabric.



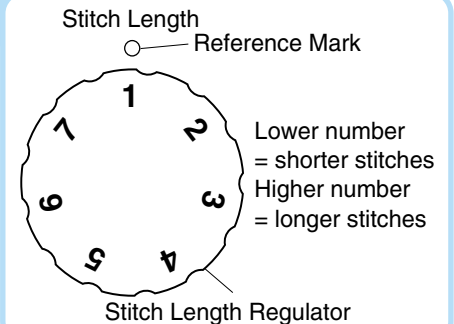
## Hand Wheel

- Position needle using hand wheel.
- \* Always turn hand wheel towards you.



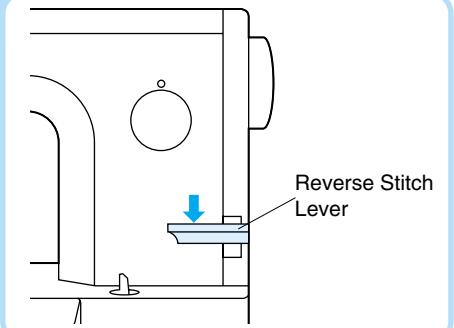
## Stitch Length Regulator

- Adjust desired stitch length using stitch regulator dial.



## Reverse Stitch Lever

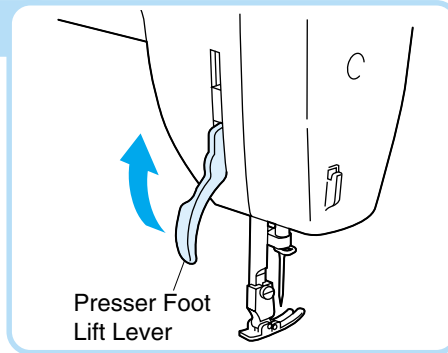
- Sewing in reverse is possible when the reverse stitch lever is in the lowered position.
- \* Make sure to push the lever all the way down when reverse sewing is desired.
- \* When the feed adjustment dial is set between 5-7mm, the reverse stitch length is always 5 mm.





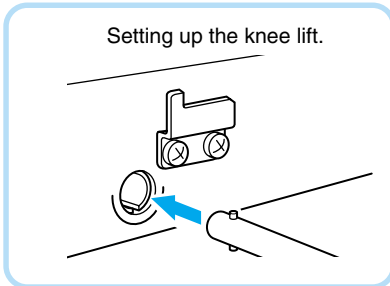
## Presser Foot Lift Lever

- Lowering the presser foot lift lever lowers the sewing foot down onto the fabric and engages the thread tension function.
- \* When working with heavy fabrics or other fabrics that don't slide easily under the foot, raise the presser foot lever to position the fabric.

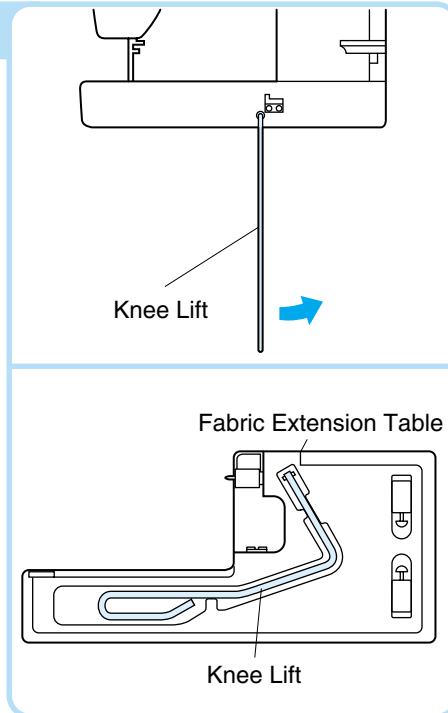


## Knee Lift

- Using the convenient knee lift to lift and lower the presser foot easily, leaving both your hands free.



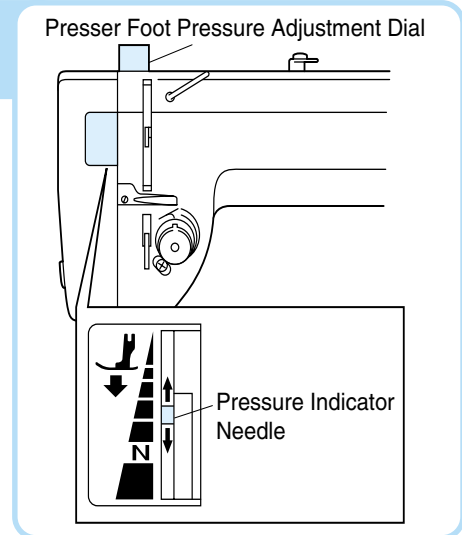
- \* Push the knee lift bar all the way into the socket.
- \* When knee lift is not in use, it can rest at the bottom of the fabric extension table.



## Presser Foot Pressure Adjustment Dial

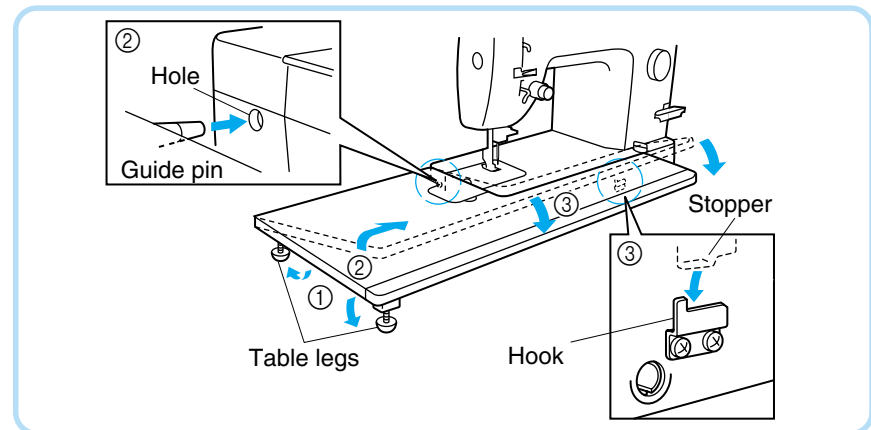
- Turning the pressure adjustment dial raises and lowers the pressure indicator needle as the amount of pressure on the presser foot changes.
- See also: "Feed Dog Adjustment Knob" on page 5.

- \* See "Thread Tension" on page 12.



## Fabric Extension Table

- Lower table feet and attach fabric extension table as shown in the below diagram.



# Before You Begin (2)

## Thread Cutter Button

### ▲ Note

When the machine stops due to jammed threads and so forth, do not step on the foot controller, turning the power off and moving the needle with the hand wheel, check the situation. Otherwise broken needles could result.

- The thread cutter trims upper and bobbin threads at the end of seams.



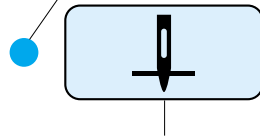
Thread Cutter Button

- \* Press with the presser lever down.

## Needle Stop Position Button

- When indicator lamp is lit up, the machine will stop sewing with the needle lowered through the fabric.
- When indicator lamp is off, the needle position when sewing stops, will be random.
- If the safety mechanism is activated, for example if the thread becomes tangled, the red lamp flashes.

Indicator Lamp

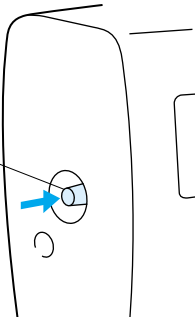


Needle Stop Position Button

## Light Switch

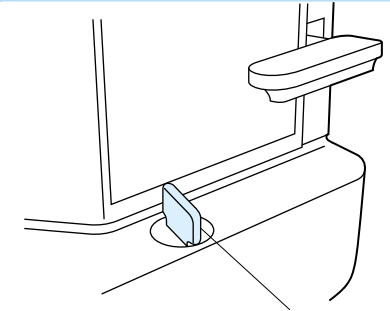
- Push light switch to turn the light over the sewing area on and off.

Light Switch



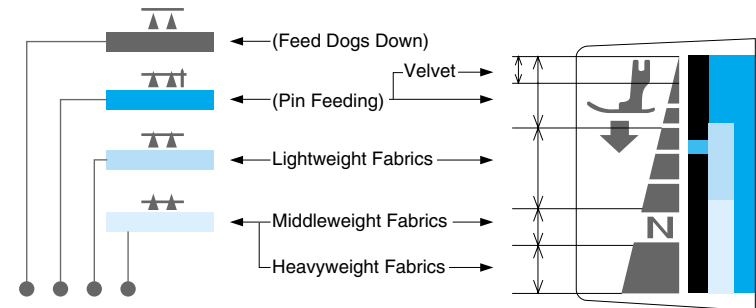
## Feed Dog Adjustment Knob

- Height of feed dogs can be adjusted to coincide with fabric weights.



Feed Dog Adjustment Knob

## Foot Pressure and Feed Dog Position



Select one of four feed dog positions according to your needs.

### Note

If a setting other than **▲▲▲** is selected, the pin feed mechanism will not operate.

# Changing Needles and Light Bulb

## Note

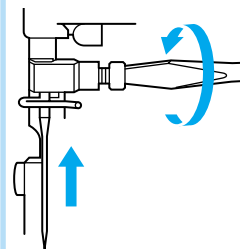
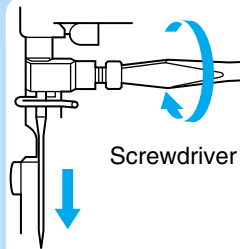
Please make sure power is off before carrying out the following operations. There is a chance of injury if the machine accidentally starts running during this operation.

## Changing the Needle

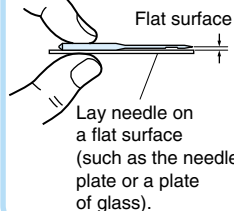
- 1 Turn the sewing machine off. Raise needle to highest position using hand wheel, and lower presser foot.
- 2 Loosen screw with screwdriver, and remove needle.
- 3 Hold the needle with the flat side to the right, and insert the needle as far as it will go. Make sure needle is screwed in tightly.

\* If the needle is not adequately inserted or the screw is loose, this may break the needle or cause a breakdown and the needle threader will not work.

\* Check needles on a flat surface to make sure they are not bent.

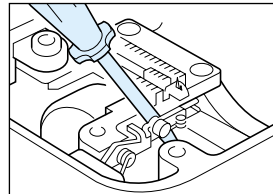


The needle should lay parallel to a surface.

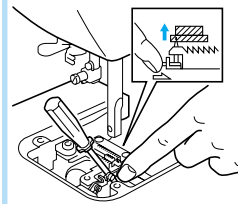
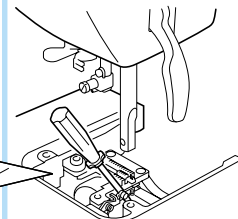
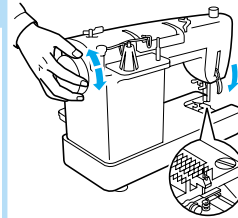


## Changing the Feed Pin

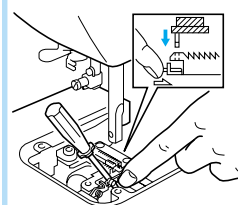
- 1 Set the feed dogs to “velvet” position. (See page 5.)
- 2 Remove needle, presser foot and needle plate.
- 3 Lower presser foot and turn hand wheel until feed pin is in its highest position.
- 4 Insert small screwdriver (included) as shown in diagram.



- 5 While holding spring with fingertip, lower the feed pin changer onto the needle to pick it up.



- 6 Attach new feed pin to feed pin changer, lower and attach while holding spring with fingertip.
- 7 Remove screwdriver.
- 8 Re-attach needle plate, needle and presser foot.

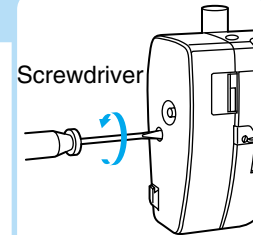


## Note

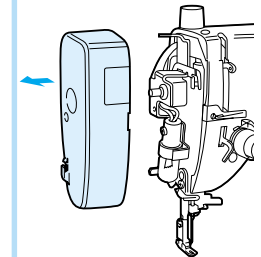
Please make sure power is off before carrying out the following operation. The glass plate over the light bulb will be hot immediately after using the machine, therefore it is advisable to wait until the light bulb has had a chance to cool down before changing bulbs.

## Changing Light Bulbs

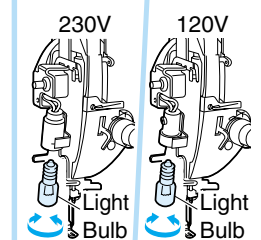
- 1 Turn off power.
- 2 Remove screw from head.



- 3 Remove bulb housing.



- 4 Unscrew bulb and remove.
- 5 Screw in new bulb. Sewing Light: See page 20.
- 6 Re-attach bulb housing and tighten screw.



## Note

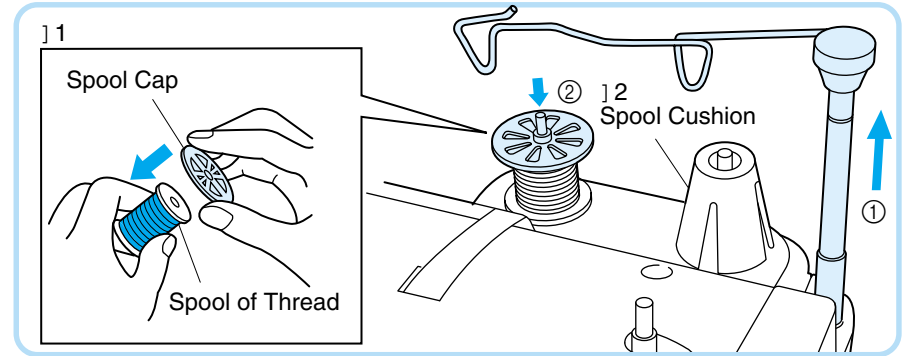
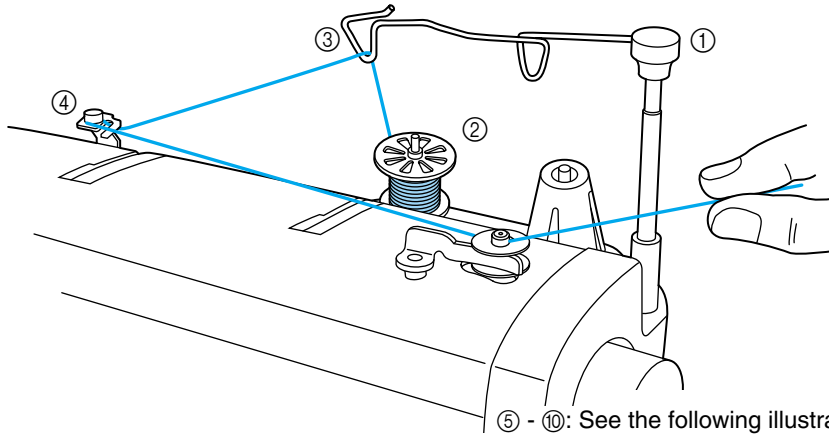
HLX5 needles should be used; however, Schmetz 130/705H may also be used under normal circumstances.

# Threading (1)

## Bobbin Winding

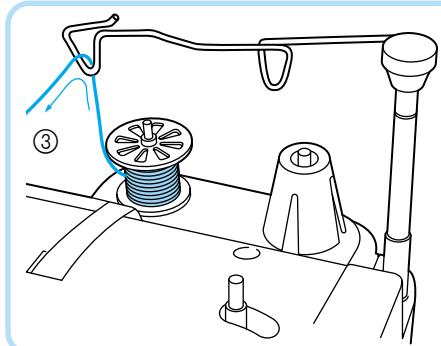


**Note**  
Do not move bobbin winding clutch while machine is running.

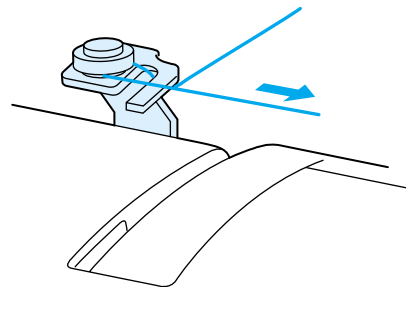


- ① Raise the thread guide bar all the way.
- ② Mount a spool thread on the spool pin.

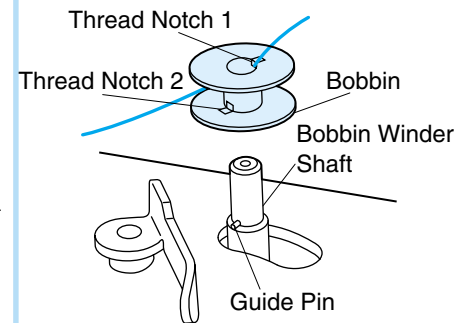
- \*1 Use spool cap when using parallel-wound thread.
- \*2 Use spool cushion when using cross-wound thread.



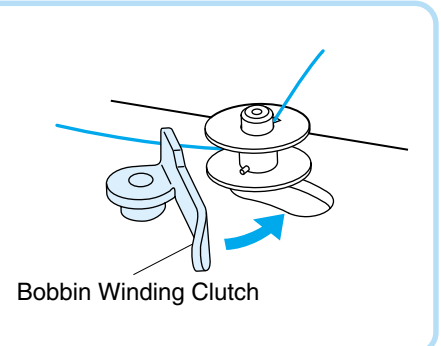
- ③ Pass the thread through the triangular hole.



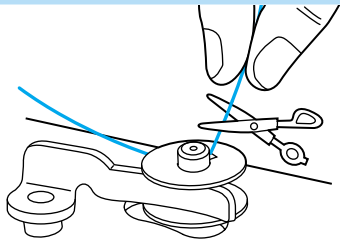
- ④ Pass thread through bobbin winding thread guide as shown in drawing.



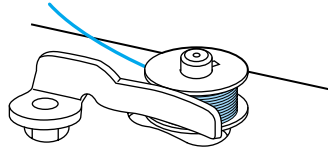
- ⑤ Run thread through top thread notch 1, and align bottom thread notch 2 of the bobbin with guide pin on bobbin winder shaft.



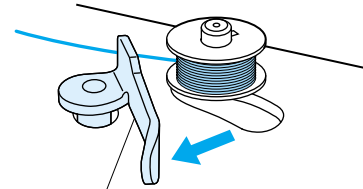
- ⑥ Press bobbin winding clutch up against empty bobbin. If the bobbin stop does not slide easily between the top and bottom of the bobbin, check that the bobbin is seated properly with the guide pin (⑤) inserted into the lower notch.



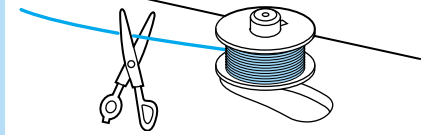
] Place the thread end so that it does not protrude from the bobbin.



⑦ While holding the end of the thread, step on the foot controller for a few seconds. Once enough thread has wound itself around the bobbin to hold itself in place, release the foot controller and trim the excess thread. Continue to wind the bobbin while pressing down on the foot controller.



⑧ Stop winding process when bobbin is full. Take the foot off foot controller.

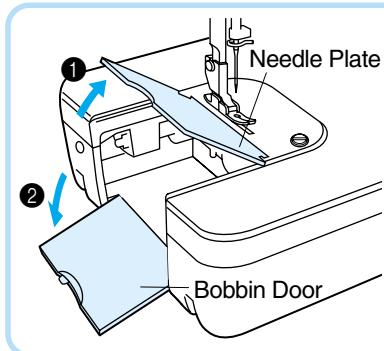


⑨ Manually move bobbin winding clutch back to original position.

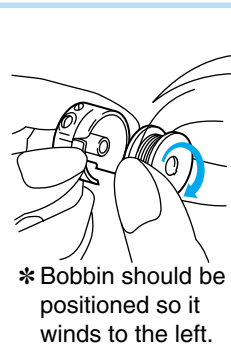
⑩ Cut thread and remove bobbin.

## Bobbin Insertion

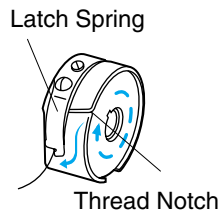
**▲ CAUTION – Moving parts –**  
To reduce risk of injury, switch power off before servicing. Open covers.



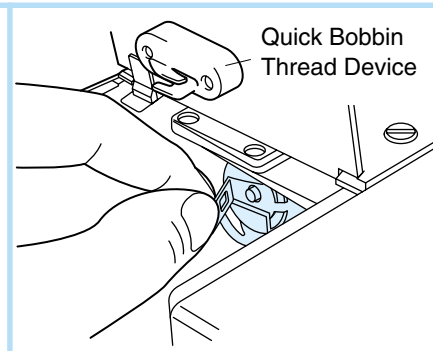
① Lift needle plate and open bobbin door.



\* Bobbin should be positioned so it winds to the left.

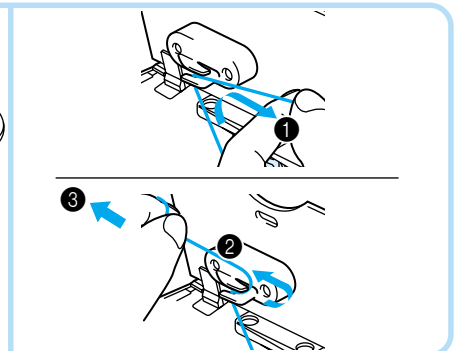


- \* Run thread through thread notch and under latch spring, so that a length of thread is exposed.
- \* Always use the bobbin case that was supplied with this machine. A secondary bobbin case can be ordered from your dealer.

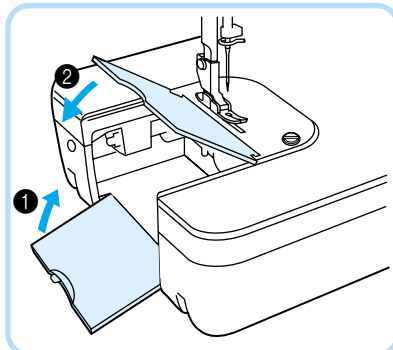


③ Pull the latch lever of the bobbin case out and push the bobbin case into the shuttle race and release the latch lever.

- \* If the latch lever is not set securely on the hook, it may fly off during sewing and cause lower thread breakage. Rotate the hand wheel one full rotation towards you to check that the bobbin case is set securely.

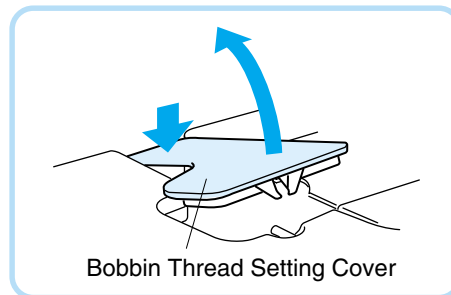


④ Pass the thread through the quick bobbin thread device in the order ① ②, pull in the direction of the arrow ③, then cut the thread.



⑤ Lower slide plate and close bobbin door, following numbers ① ② above in order.

### ● When the fabric extension table is set in place



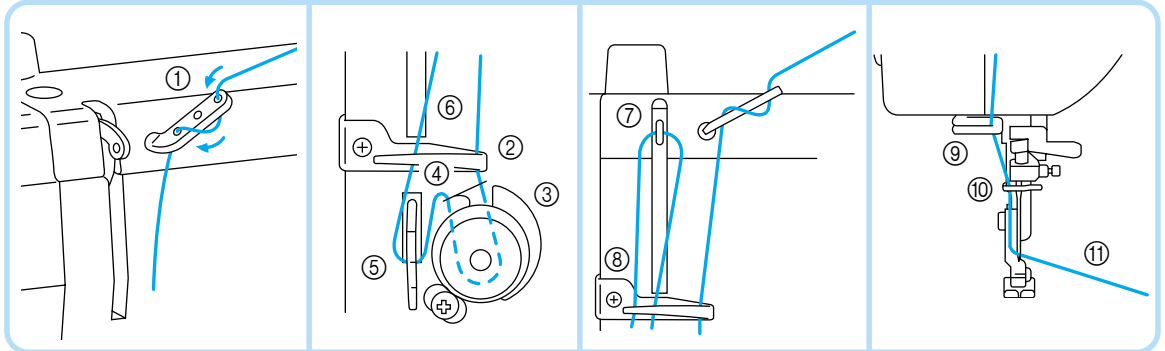
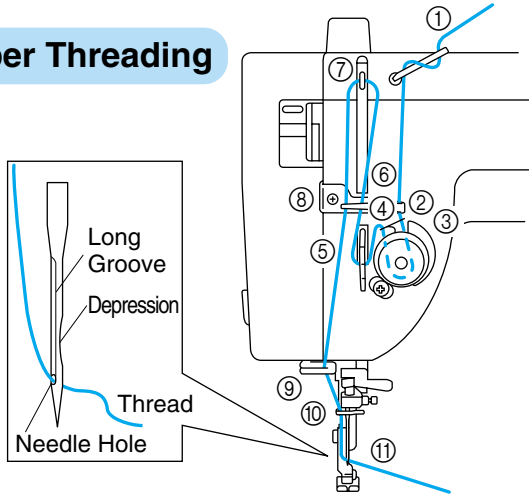
Open the bobbin thread setting cover beforehand, then set the bobbin thread in place. (You can set the bobbin thread in place without removing the fabric extension table.)

**★ Quick Bobbin Thread Device**  
This device cuts the bobbin thread end to an appropriate length after the bobbin has been replaced and holds it at that length, so the operation of pulling out the thread can not be skipped.

# Threading (2)

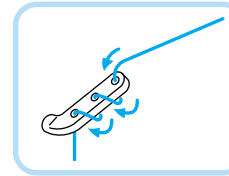
**Note** Please turn off the power before using automatic needle threader. Accidentally stepping on the foot controller during this operation could cause bodily injury or damage to the machine.

## Upper Threading

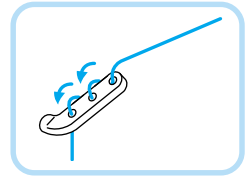


● Make sure thread take-up lever is in highest position and presser foot is up.

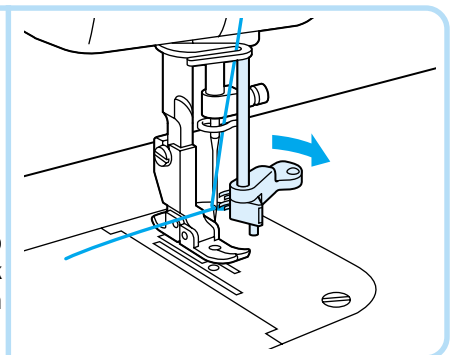
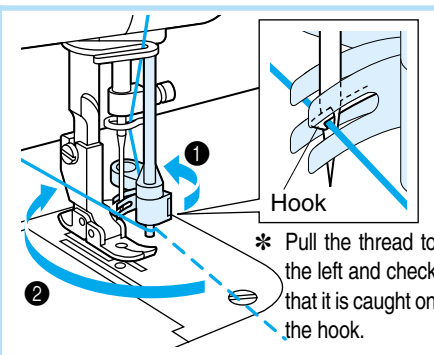
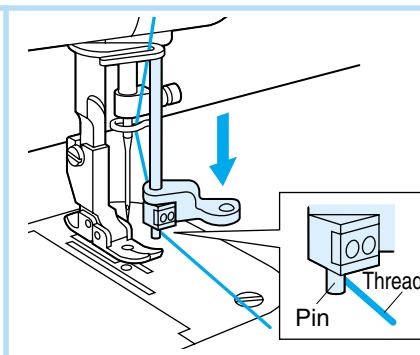
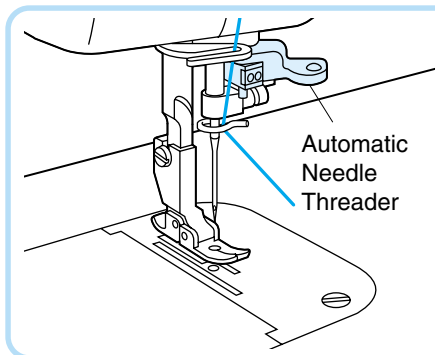
\* When using polyester thread or thread that tangles or breaks, run the thread through all three holes of the thread guide.



\* If the thread is still tangles or breaks, run the thread through the holes backwards as shown in diagram.



## Using the Automatic Needle Threader



① Rotate hand wheel towards you until needle is in the highest position, and lower presser foot.

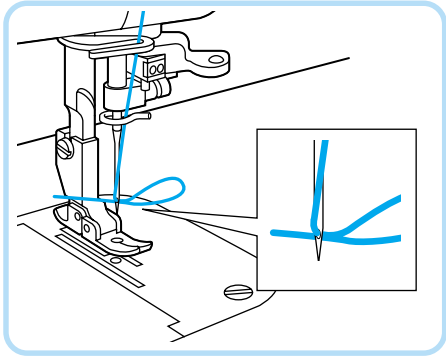
③ Lower automatic needle threader.

\* Pull thread along the right side of the pin.

\* Do not force the needle threader lower than the eye of the needle. Be sure that the needle is in the highest position.

④ Turn the needle threader lever all the way in the direction of ① and when the hook extends from the needle hole, pull the thread in the direction of ② to catch it on the hook.

⑤ While holding the thread gently, return the needle threader lever to the right. As you do this the hook that has caught the thread will move as well, pulling a loop of thread through the eye of the needle.



⑥ Pull thread loop to the right.

Needle (HLX5)	Thread
#9	#20 #30 #50 #60
#11	#20 #30
#14	#20 #30
#16	#20

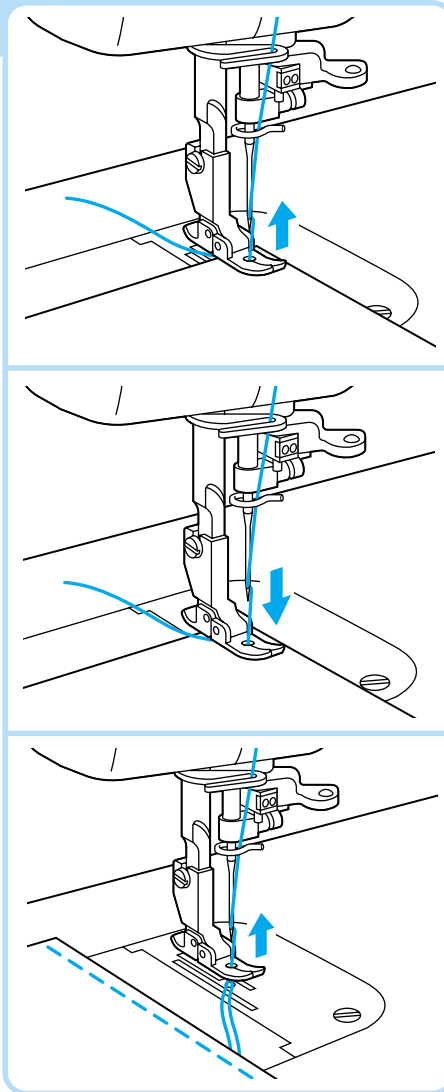
- The automatic needle threader cannot be used with the thread-needle combinations illustrated in the chart to the left. Transparent nylon thread can be used regardless of the chart, providing the needle used is a #14 or #16.



# Stitch Samples and Needle Chart

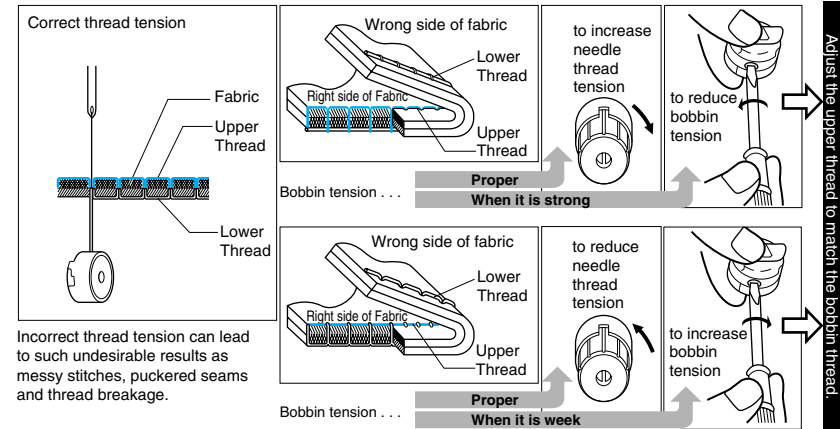
## Stitch Samples

- ① Set stitch length regulator to desired stitch length.
  - ② Make sure approximately 15 cm of upper and bobbin threads are pulled out and laying behind presser foot. While needle is in raised position, insert a test strip from the garment fabric under the foot.
  - ③ Lower presser foot.
  - ④ Turn the hand wheel forward to lower the needle through the fabric, then step gently on the foot controller to begin.
  - ⑤ Turn the hand wheel towards you to raise the needle and thread take-up lever to their highest positions.
  - ⑥ Lift presser foot, remove fabric and then cut thread.
- \* When using thread cutter:
- ⑤ Press the thread cutter button while the presser foot lever is in the down position.
  - ⑥ Lift foot and remove fabric.



## Thread Tension

\* Bobbin thread should feed smoothly. Adjust bobbin thread to match that of upper thread. (If bobbin thread is too tight it may cause fabric to bunch up.)



## ● Selecting the proper needle for use with the fabric and thread you are working with

\* The following chart applies to many different fabric, thread and needle combinations.

	Fabric - Thread - Needles			HLX5	Schmetz 130/705H
	Cloth	Thread	Needle (HLX5)		
Special fabric	Velvet	Silk, Polyester #30 – #50	#11 – #14	#9	#65
	Quilt	Polyester #20 – #50	#11 – #16	#11	#75
	Synthetic Suede	Polyester #20 – #50		#14	#90
	Knit	Polyester #20 – #50	#16	#100	
	Coating	Polyester #50	#11 – #14	#18	#110
Light weight fabrics	Lawn	Cotton #80	#9		
	Tricot	Polyester #60			
	Silk Georgette	Silk #50			
Middle weight fabrics	Wool Georgette	Silk, Polyester #50	#11		
	Gingham	Cotton #60 – #80	#11 – #14		
	Lightweight Jersey	Polyester #60	#11		
Gabardine, Flannel	Silk #50				
Heavy weight fabrics	Denim	Cotton #20 – #50	#14 – #18		
	Jersey	Polyester #20 – #50	#11 – #16		
	Tweed	Silk #20 – #50			

- \* HLX5 needles are recommended; however, Schmetz 130/705H needles may also be used under normal sewing conditions.
- \* Adjust the pressure adjustment dial and the feed dog adjustment knob according to the chart on the sewing machine.
- \* When sewing on knit fabrics such as jersey or tricot, use a ballpoint needle or a needle designed for use with knit fabrics.

# Changing Presser Feet

**Note** Make sure the power is off before changing presser feet.

## Changing Presser Feet (Zipper Foot)

- 1 Raise presser foot, and raise needle to highest position.
- 2 Loosen and remove screw using screwdriver.

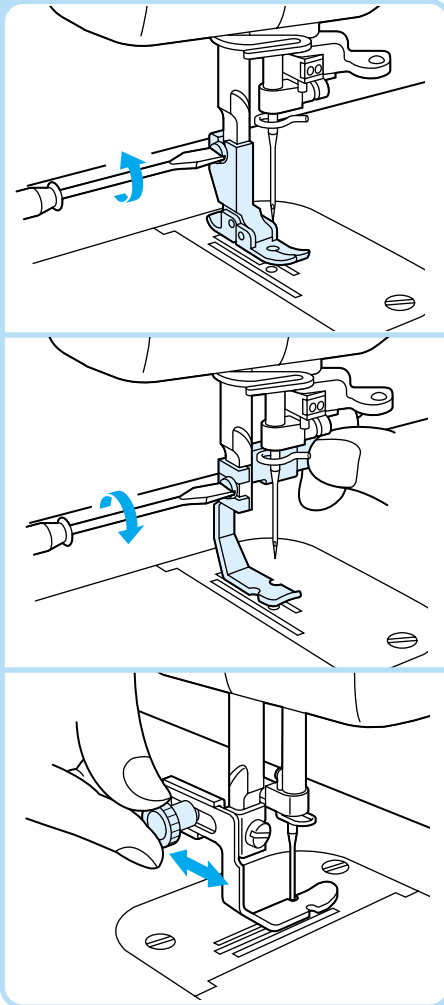
- 3 Attach zipper foot and tighten screw.

\* Use the same method to attach the other feet that come with your PQ1500S.

\* See page 18 for directions on attaching the "Walking Foot".

\* Use the position knob on back of the zipper foot to adjust position of foot in relation to needle.

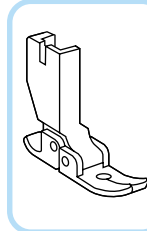
\* Only the zipper foot has a position knob. You can begin sewing with all other presser feet immediately after attaching.



## Presser Feet

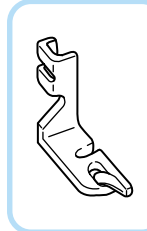
### ● Pin Feed Foot

For perfect stitching on otherwise difficult fabrics like velvet, leather and suede.



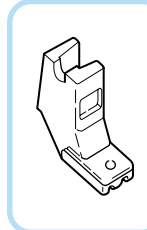
### ● Rolled Hem Foot

Use on the edge of fabric, such as on hems of dress shirts, to fold the edge of the fabric in three while sewing.



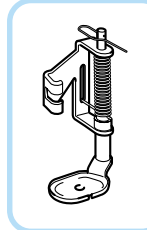
### ● Invisible Zipper Foot

Use to attach concealed fasteners.



### ● Quilting Foot

Spring action foot for darning, quilting or free-motion embroidery.



\* Use only feet supplied with your PQ1500S. Each foot is specially designed for this machine and has clearance for the pin at the rear of each foot. Use of other presser feet with the PQ series machines may damage or break the pin feed mechanism.

### ● General purpose Foot

This foot is used for most sewing. (Can also be used for sewing thick fabrics or seams.)

\* When sewing thick seams, lightly guide the fabric with your hand on the downward side of the seam.

\* Can also be used with pin feeding.

### ● Zipper Foot

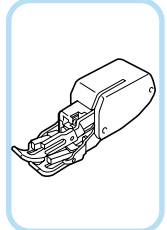
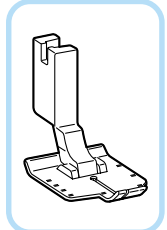
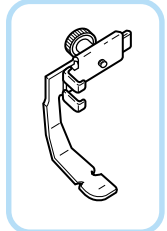
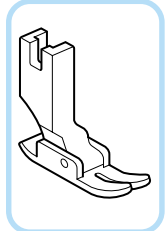
Use to attach fasteners other than concealed fasteners.

### ● 1/4" Foot

For quilt and patchwork piecing with 1/4" or 1/8" seam allowance.

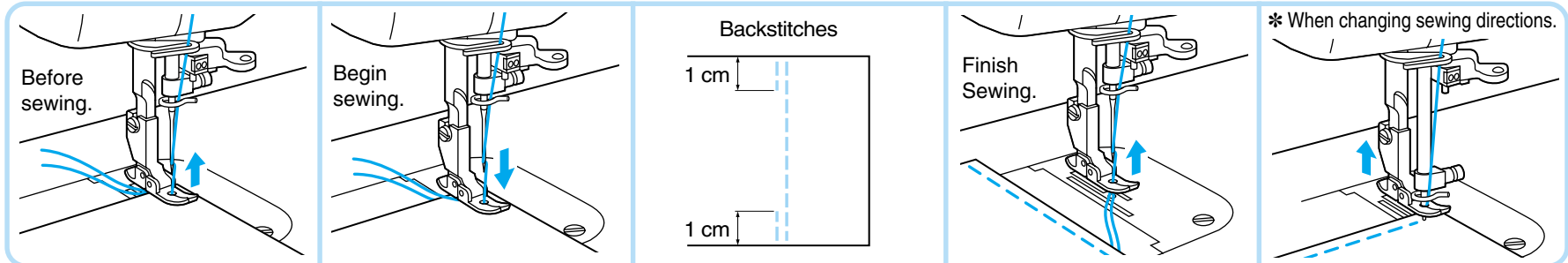
### ● Walking Foot

For sewing or quilting on fabrics which stick or tend to slip. Useful for sewing multiple layers as in quilting.



# Basic Sewing (1)

## Basic Sewing



① Lift foot, pull about 15 cm of upper and bobbin thread under and behind foot, and position fabric under foot.

② Lower presser foot lever to lower foot.

③ Turn the hand wheel forward you to lower the needle through the fabric, then step gently on the foot controller to begin.

\* At the beginning and end of a seam, press down the reverse stitch lever and backstitch about 1 cm.

④ Raise needle to highest position.  
⑤ Lift foot, remove fabric and cut thread.

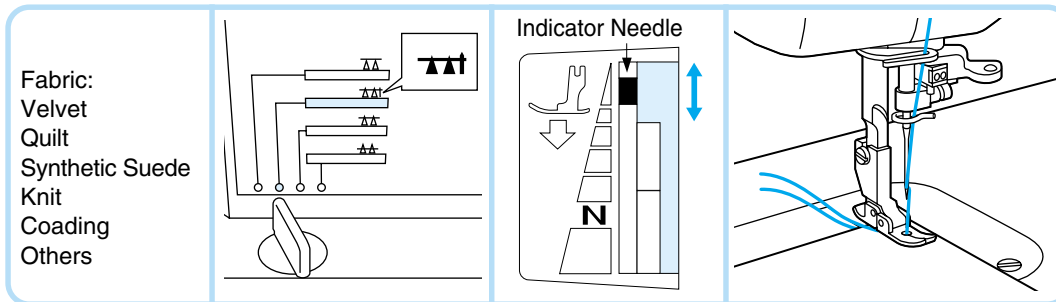
\* When using thread trimmer:  
④ Push thread trimmer button (this will cause the upper and bobbin threads to be cut automatically and the needle to stop in a raised position).  
⑤ Lift presser foot and remove fabric.

① Make sure needle is pierced all the way through fabric.

② Lift presser foot, and turn fabric using needle as an axis.

③ Lower foot continue sewing.

## Pin Feeding (for hard-to-handle fabrics)



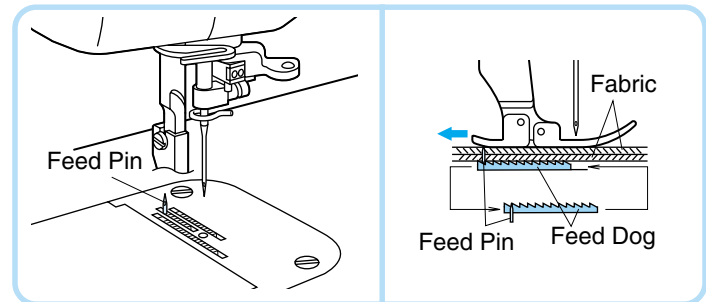
\* The fabrics shown above can be joined evenly by activating the pin feed mechanism.

① Move feed adjustment knob to pin feeding position.

② Adjust pressure adjustment dial until indicator needle is in the right position in the matching color coded area.

③ Gently pull thread until feed pin catches fabric and sew.

## Pin Feeding Mechanism



The feed pin passes up through all layers of fabric moving with the feed dog's motion to feed all layers of the fabric evenly.

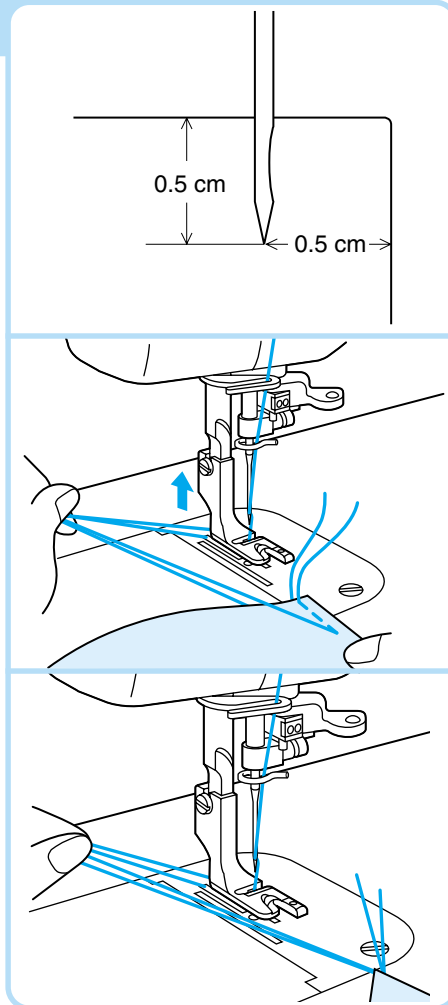
\* For safety, the feed pin is automatically lowered when presser foot is raised.

# Basic Sewing (2)

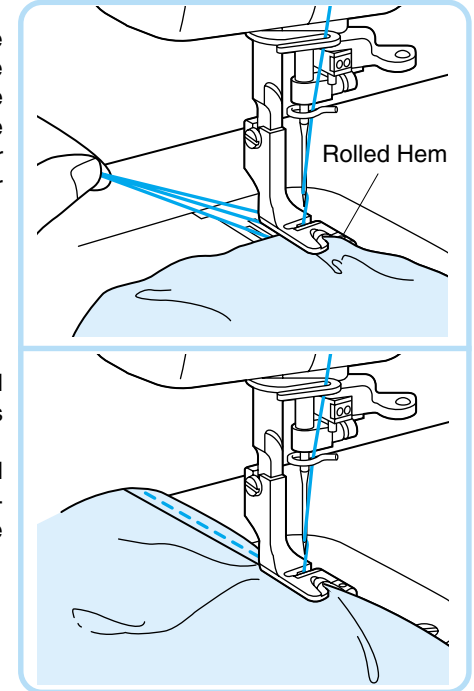
**Note** Make sure power is off before changing feet.

## Rolled Hem Foot

- ① Attach rolled hem foot.
  - \* Refer to page 13 for instructions on changing sewing feet.
- ② Insert needle approximately 0.5 cm from the edge of the fabric and sew 2 stitches.
- ③ Turn the hand wheel towards you to raise the needle, raise the presser foot, then pull the fabric forward.
- ④ Hold the 4 threads in your left hand.



- ⑤ With your right hand, put the edge of the rolled hem under the presser foot, from the spot where the threads come out. Insert the edge so that it lies directly under the needle. Lower the presser foot.
- ⑥ Pull gently on threads in left hand while sewing the first 3-4 stitches to hold them in place.
- ⑦ Fold hem over about 0.5 cm and continue feeding folded hem under foot while sewing towards the curved guide on the foot.



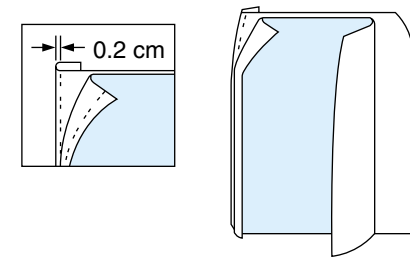
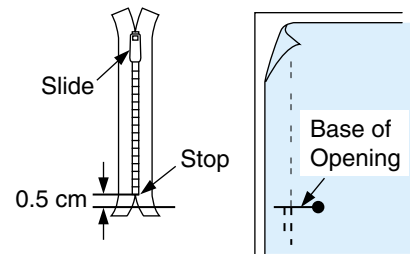
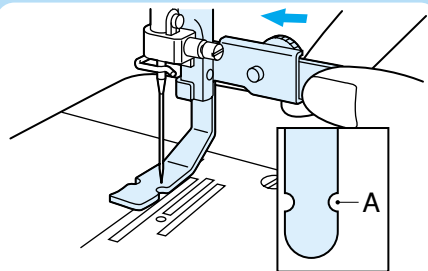
# Basic Sewing (3)

## ▲ Note

- Make sure power is off before changing feet.
- When attaching zippers to stretch fabrics, use the pin feed method and adjust foot pressure accordingly.
- The zipper foot can also be used as a guide when attaching piping to fabric.

## Zipper Foot

- ① Attach zipper foot.
  - \* See “Changing Presser Feet (Zipper Foot)” on page 13.
- ② Turn the hand wheel towards you to lower the needle and adjust the position of the foot relative to the needle using the adjustment screw to slide the foot from left to right.
- ③ Line up zipper to the section of fabric it will be attached to, and mark the base of the opening on the fabric. It should be set approximately 0.5 cm below zip stop. Sew from below the base of the opening.
- ④ Divide the seam margin. Fold the seam margin with the overlap of the zipper position facing down 0.2 cm on the outside of the mark.



- ⑤ Secure the zipper with basting and sew along the mark.

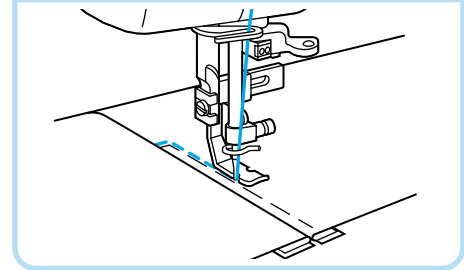
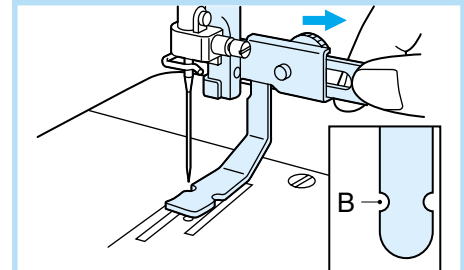
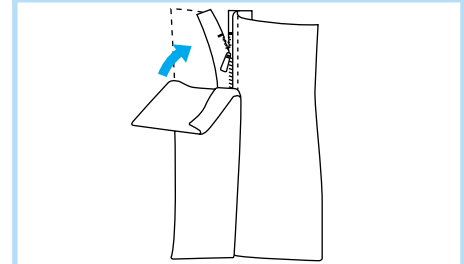
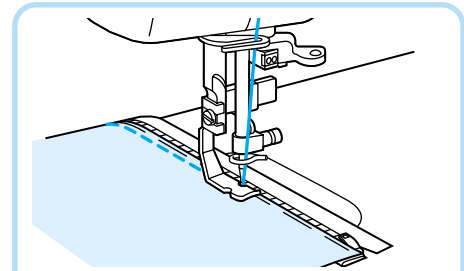
- ▲ Make sure the needle does not strike the metal part of the zipper when sewing. The needle may break and cause injury.

- ⑥ Line up the folded hem on the opposite side with the stitches.

- ⑦ Change position of zipper foot.
- ⑧ Turn the hand wheel to lower the needle and position the presser foot.

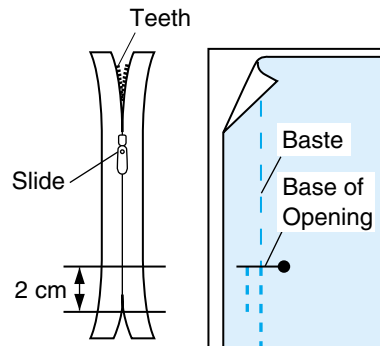
- ⑨ With the fabric right side up, baste the zipper onto the fabric, then sew the edge of the basting.

- \* Reinforce base of opening by sewing over it twice.
- \* If the zipper slide gets in the way, lower the needle all the way through the fabric, lift the foot, and move the slider out of the way.

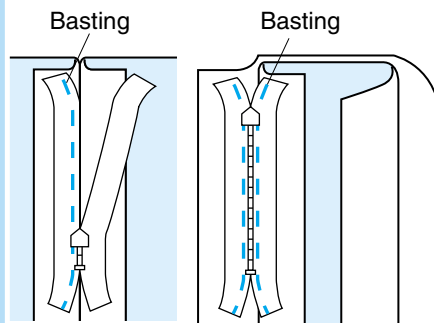


## Invisible Zipper Foot

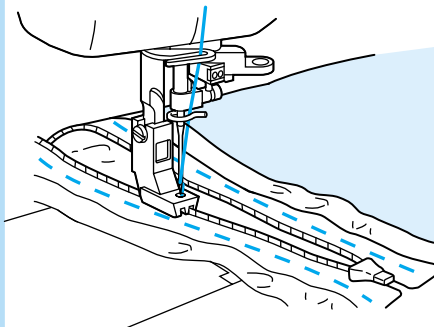
- ① Attach invisible zipper foot.
- ② Align zipper with fabric. Mark the base of the opening approximately 2 cm above the end of the zipper.
- ③ Baste the zipper position.



- ④ Separate the seam allowance.
- ⑤ With the zipper mounted, baste just the seam margin on one side of the zipper.
- ⑥ Close the zipper and baste the other side of the zipper.
- ⑦ Remove the basting at the zipper position.



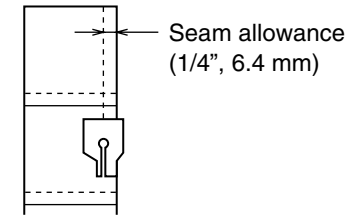
- ⑧ Fit the zipper teeth into the presser foot groove, guide them to prevent them from falling over, and sew to the base of the opening.



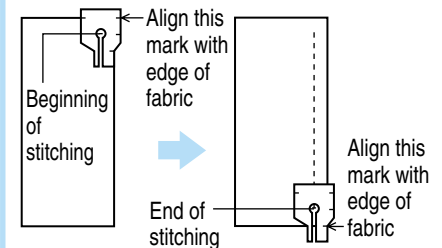
- \* When sewing with the teeth to the right, the left side of the foot should line up with the left teeth of the zipper.

## 1/4" Foot

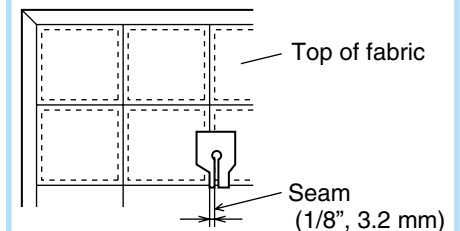
- Sewing machine settings:  
Stitch length = 2 - 2.5
- Sew a consistent seam allowance (1/4", 6.4 mm) when piecing together a quilt.



- Use guides (mark) to begin, end, or pivot 1/4" from edge of fabric.



- Accurately top stitch 1/8" from seam.

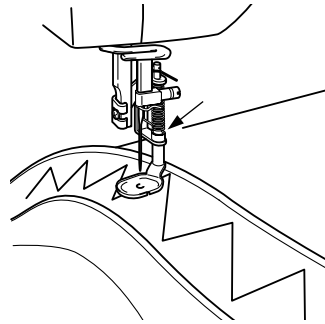


## Quilting Foot

Reduce the foot pressure and turn the dial on the machine lowering the feed dogs for free motion quilting.

### ▲ Note

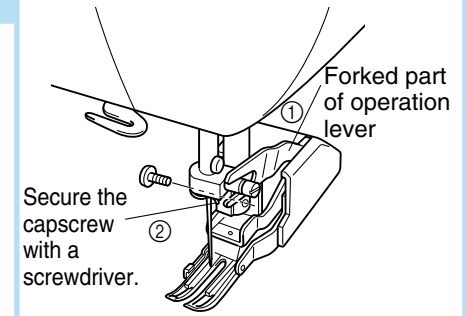
If the foot is frequently used, be sure to apply a small amount of oil about once a month to the area indicated by the arrow. (If too much oil is applied, wipe off the excess with a cloth.)



## Walking Foot

### ▲ Note

- Do not press the foot controller all the way down. Try to keep the sewing speed low (500 r.p.m. or less).
- The fabric may not feed if you sew at high speeds.
- The feed dog for feeding the cloth may not move if the foot pressure on the fabric is too strong. Use the presser foot pressure adjustment dial to achieve the desired results.
- It is not advisable or necessary to use the Pin Feed mode with the walking foot.



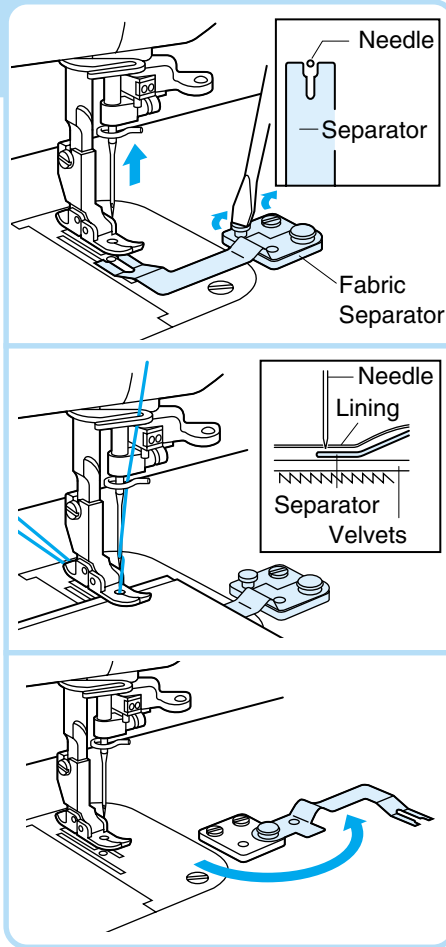
- ① Insert the forked part of the operation lever while raised in an upright position onto the screw on the right side of the needle bar, as shown and then insert the cap screw.
- ② Tighten the screw securely with a screwdriver. Tightening adequately is important as the screw might loosen due to the foot and forked operation lever vibration.

## Fabric Separator (for joining lining to fabric)

\* Use this technique for sewing velvet and lining together.

- ① Raise needle and foot.
  - ② Move separator so it sits under presser foot.
  - ③ Make sure it is lined up so that the needle passes through the slot of the separator without hitting the plate itself.
  - ④ Secure liner plate in place with lining plate screws.
  - ⑤ Set pressure of sewing feet and feed position to pin feeding position.
  - ⑥ Pull thread until lower needle catches fabric.
- \* Sew 2-3 reinforcement stitches.

- ⑦ When not using separator, it can be swung off to the side as illustrated in drawing.



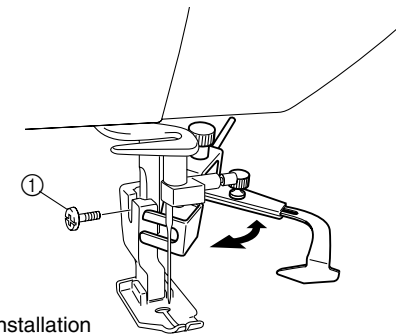
### Note

- Lighten the presser foot pressure slightly when using the fabric separator.

- Use the separator to neatly sew 2 hard to manage fabrics together by keeping them from interacting with one and other before the needle sews them together in a perfect seam.

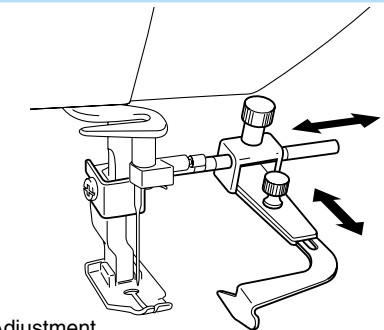
## Seam Guide

- ① Tighten the screw securely with a screwdriver since it might otherwise loosen due to vibration.



Installation

To be able to adjust the position of the foot towards the arrow.



Adjustment



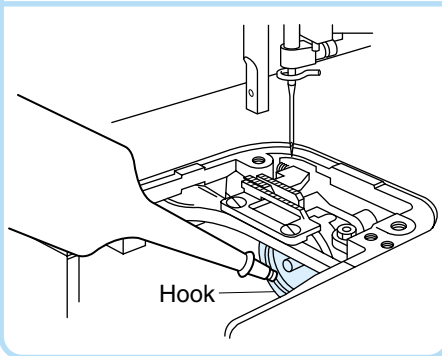
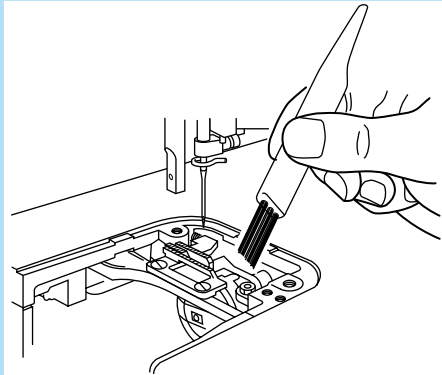
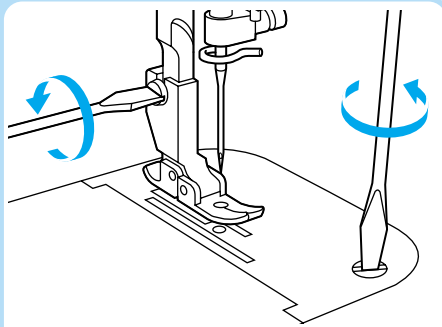
# Caring for Your Machine

## Cleaning the Machine

### ▲ Note

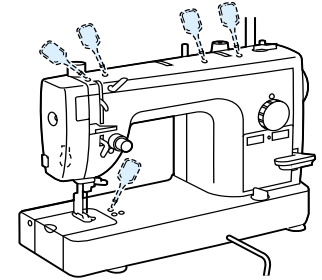
Make sure power is off before cleaning sewing machine.

- ① Turn machine off.
  - ② Remove foot.
  - ③ Remove needle plate.
- ④ Clean out dust and thread scraps.
- \* Thread scraps can be swept out through the bobbin door.
- ⑤ When the area under the needle plate is cleaned out, oil hook of bobbin case with sewing machine oil.
- \* Use a cloth to clean the machine of any excess oil.
- ⑥ Attach needle plate and foot.



## Lubrication Points

- When using the sewing machine every day, apply a few drops of oil to each location indicated twice a month.
- \* Use a cloth to wipe the machine clean of any oil spilled near the lubrication points.

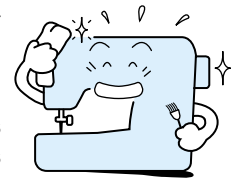


### ■ Keep Your Sewing Machine Clean

Please use a soft, dry cloth to wipe off light dirt and dust. If sewing machine is very dirty, wipe with a cloth soaked in warm water, or in warm water containing a neutral detergent. Then wipe off any detergent residue, and wipe off water with a dry cloth.

### ■ Precautions

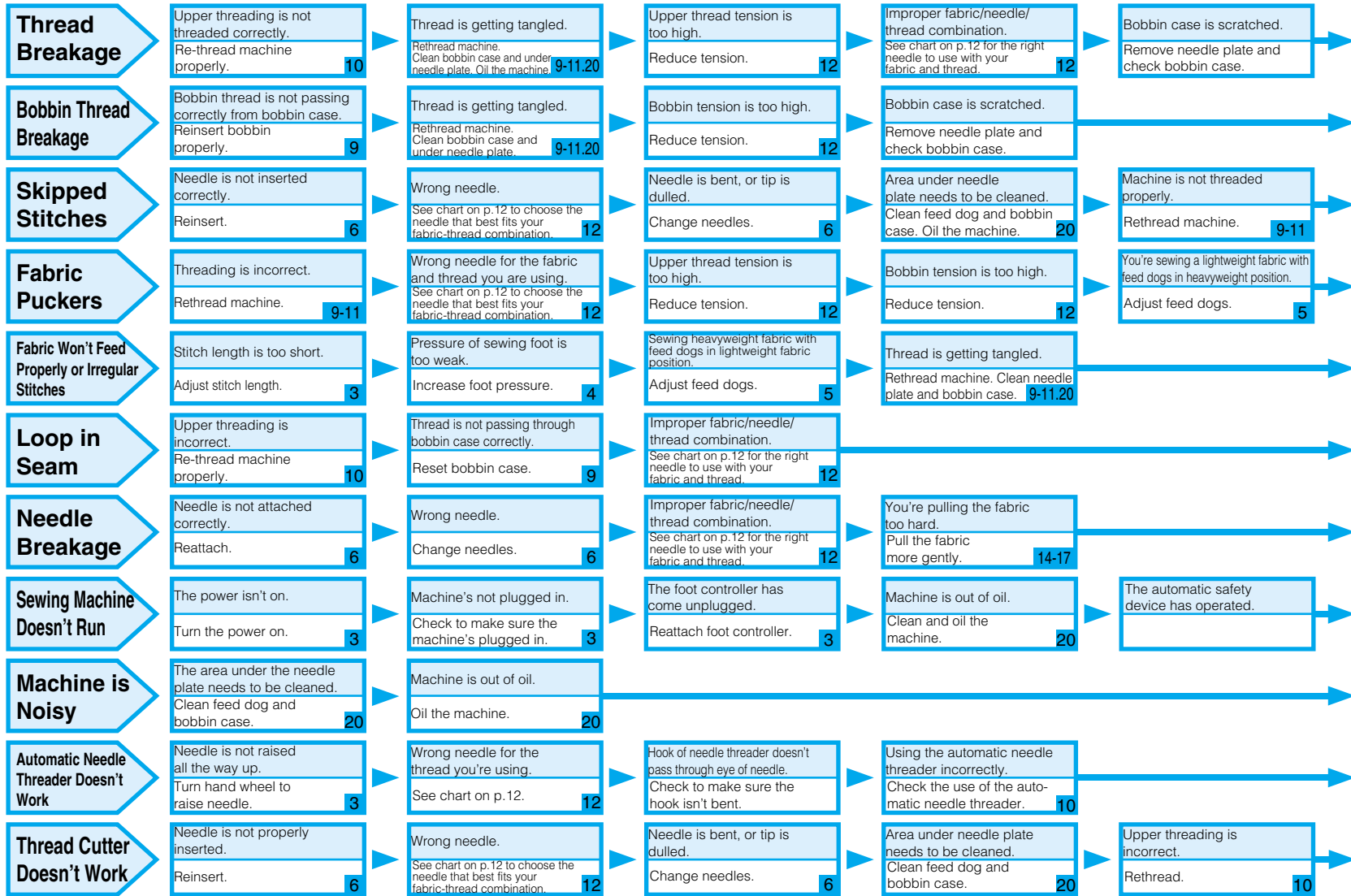
Please keep sewing machine away from heat sources such as irons and space heaters. Do not use chemicals like benzene or thinner to clean your machine. When machine is not in use, please keep machine out of direct sunlight.



Item	Specification	Item	Specification
Sewing Speed (maximum)	1,500 stitches per minute	Height of feed dog	0.7 mm 1.1 mm
Stitch Length (pitch)	0 – 7 mm	Height of lower needle	3 mm – 3.5 mm
Stroke of Needle	34.1 mm	Needles that may be used	HLX5#9 – #18 SCHMETZ 130/705H #65 – #110
Stroke of Thread Take-Up Lever	64.7 mm	Bed dimensions	439 mm × 178 mm
Foot Height	Foot Lift One 6 mm Two 9 mm Knee control Over 10 mm	Total weight	11 kg
		Sewing Light	120V model: 120V/15W Parts code: X53061-050 220-240V model: 240V/15W Parts code: 205336-050
		Sewing area	595 mm × 285 mm

# Trouble Shooting

\* Before taking your sewing machine in for service, check the following chart.



● If you still cannot find the problem, please take your sewing machine into the shop where you purchased it, or your nearest Brother dealer for repair.

# NOUS VOUS REMERCIONS D'AVOIR CHOISI LA MACHINE A COUDRE ELECTRONIQUE BROTHER.

Cette machine à coudre est une des meilleures disponibles actuellement pour l'usage domestique.  
Cependant, nous vous conseillons la lecture de ce fascicule afin de profiter pleinement de toutes les fonctions intégrées.

## RECOMMANDATIONS AVANT D'UTILISER VOTRE MACHINE A COUDRE BROTHER

### Précautions d'utilisation

- Toujours bien vérifier la position de vos mains par rapport à l'aiguille pendant la couture. Ne pas toucher le volant, le releveur de fil, l'aiguille ou les autres parties en mouvement.
- Se rappeler qu'il faut éteindre la machine et débrancher le cordon secteur quand:
  - l'utilisation est terminée
  - vous remplacez ou échangez l'aiguille ou toutes autres pièces
  - une panne de courant se produit en cours d'utilisation
  - vous faites l'entretien et la lubrification de la machine
  - vous laissez la machine sans surveillance
- Ne rien poser sur la pédale de commande.
- Brancher la machine directement dans une prise secteur. Ne pas utiliser de rallonge électrique.

### Pour une vie prolongée de votre machine

- Ne pas ranger votre machine dans des endroits exposés au soleil et très humides. Ne pas ranger votre machine à coudre à proximité d'un appareil de chauffage, d'un fer à repasser, ou de tout autre appareil dégageant de la chaleur.
- Utiliser seulement des savons ou des détergents neutres pour nettoyer le coffret de la machine. Ne jamais utiliser de benzine, de diluants, de décapants, car ces produits risquent endommager la coffret et la machine.
- Ne pas laisser tomber ou heurter la machine.
- Toujours consulter le manuel d'utilisation lors de la mise en place du pied-de-biche, de l'aiguille ou d'autres éléments accessoires pour s'assurer de les installer correctement.

### Pour la réparation et le réglage

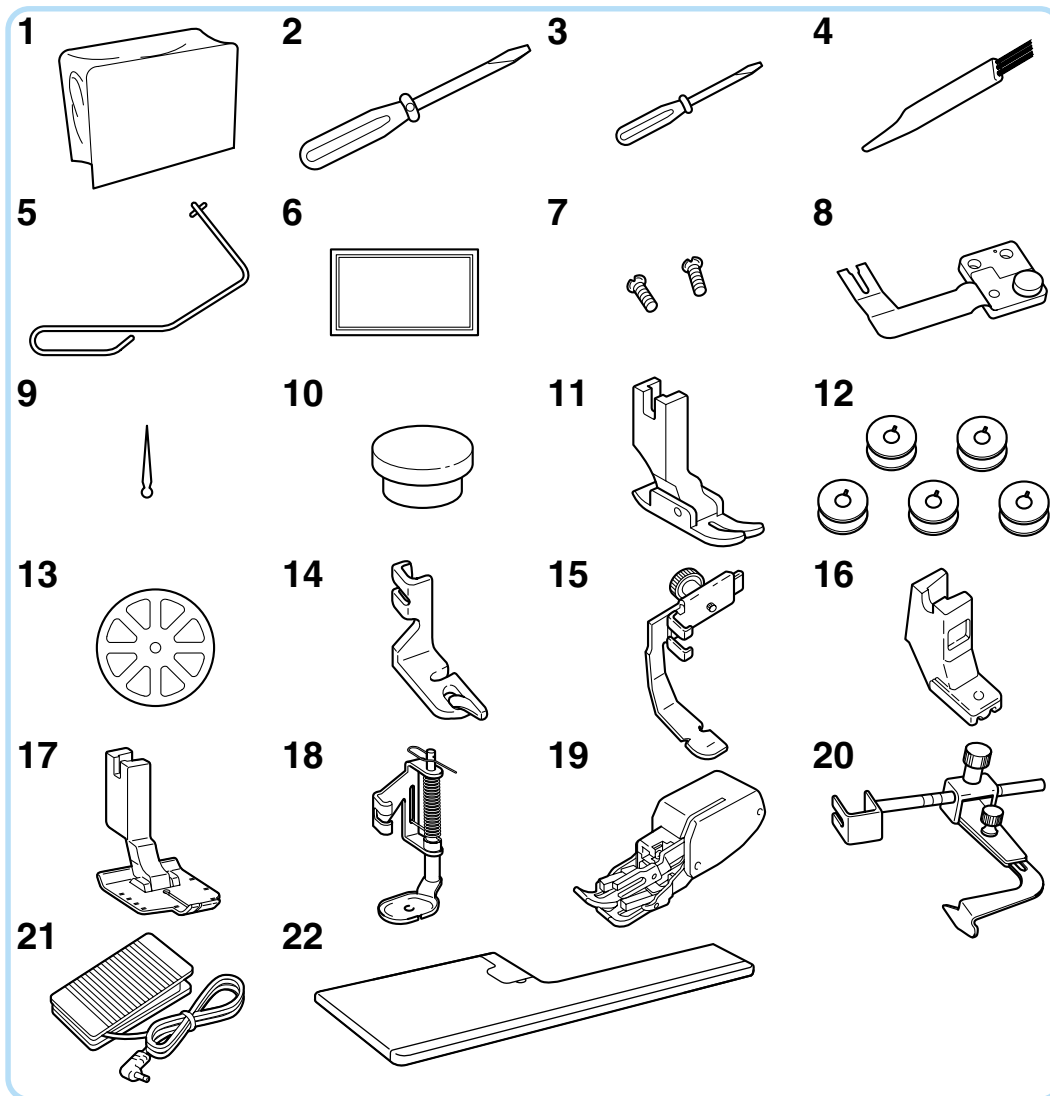
Dans le cas d'une anomalie ou lorsqu'un réglage est nécessaire, se rapporter au chapitre "Résolution des problèmes" afin d'inspecter et de régler vous-même la machine.  
Si le problème persiste, consultez votre revendeur Brother.

Pour obtenir le nom et le numéro de téléphone du centre technique agréé de Brother le plus proche, visiter le site [www.brother.com](http://www.brother.com) et utiliser notre localisateur fonctionnel de revendeurs.

# CONTENIDE

<b>Accessoires</b> .....	<b>24</b>	<b>Points d'essai et tableau d'aiguilles</b> .....	<b>35</b>
<b>Fonctions de la machine</b> .....	<b>25</b>	Points d'essai .....	35
<b>Avant de commencer</b> .....	<b>26</b>	Tension des fils .....	35
Cordon d'alimentation et pédale .....	26	<b>Changement du pied-de-biche</b> .....	<b>36</b>
Interrupteur d'alimentation .....	26	Changement du pied-de-biche	
Disque sélecteur de tension du fil .....	26	(Pied pour fermeture à glissière) .....	36
Volant .....	26	Les différents pied-de-biche .....	36
Sélecteur de longueur de point .....	26	<b>Couture de base</b> .....	<b>37</b>
Levier de point arrière .....	26	Couture de base .....	37
Levier du pied-de-biche .....	27	Entaînement par ergot	
Levier de levage au genou .....	27	(pour les tissus difficiles à manipuler) .....	37
Disque sélecteur de réglage de la pression du pied-de-biche ...	27	Mécanisme d'entraînement par ergot .....	37
Table de rallonge pour tissu .....	27	Pied pour ourlet rouleauté .....	38
Bouton de ciseaux .....	28	Pied pour fermeture à glissière .....	39
Bouton de position d'arrêt d'aiguille .....	28	Pied pour fermeture à glissière invisible .....	40
Interrupteur de lampe .....	28	Pied 1/4" .....	40
Bouton de réglage des griffes d'entraînement .....	28	Pied transparent pour ouatinage/matelassage .....	41
<b>Remplacement de l'aiguille et de l'ampoule de lampe</b> ...	<b>29</b>	Pied double-entraînement .....	41
Remplacement de l'aiguille .....	29	Séparateur de tissu (pour fixer une doublure au tissu) ....	42
Remplacement de l'ergot d'entraînement .....	29	Guide de couture .....	42
Remplacement de l'ampoule .....	29	<b>Entretien de la machine à coudre</b> .....	<b>43</b>
<b>Enfilage</b> .....	<b>30</b>	Nettoyage de la machine .....	43
Remplissage de la canette .....	30	Points de graissage .....	43
Insertion de la canette .....	32	<b>Dépannage</b> .....	<b>44</b>
Mise en place du fil supérieur .....	33		
Utilisation de l'enfileur automatique .....	33		

# Accessoires



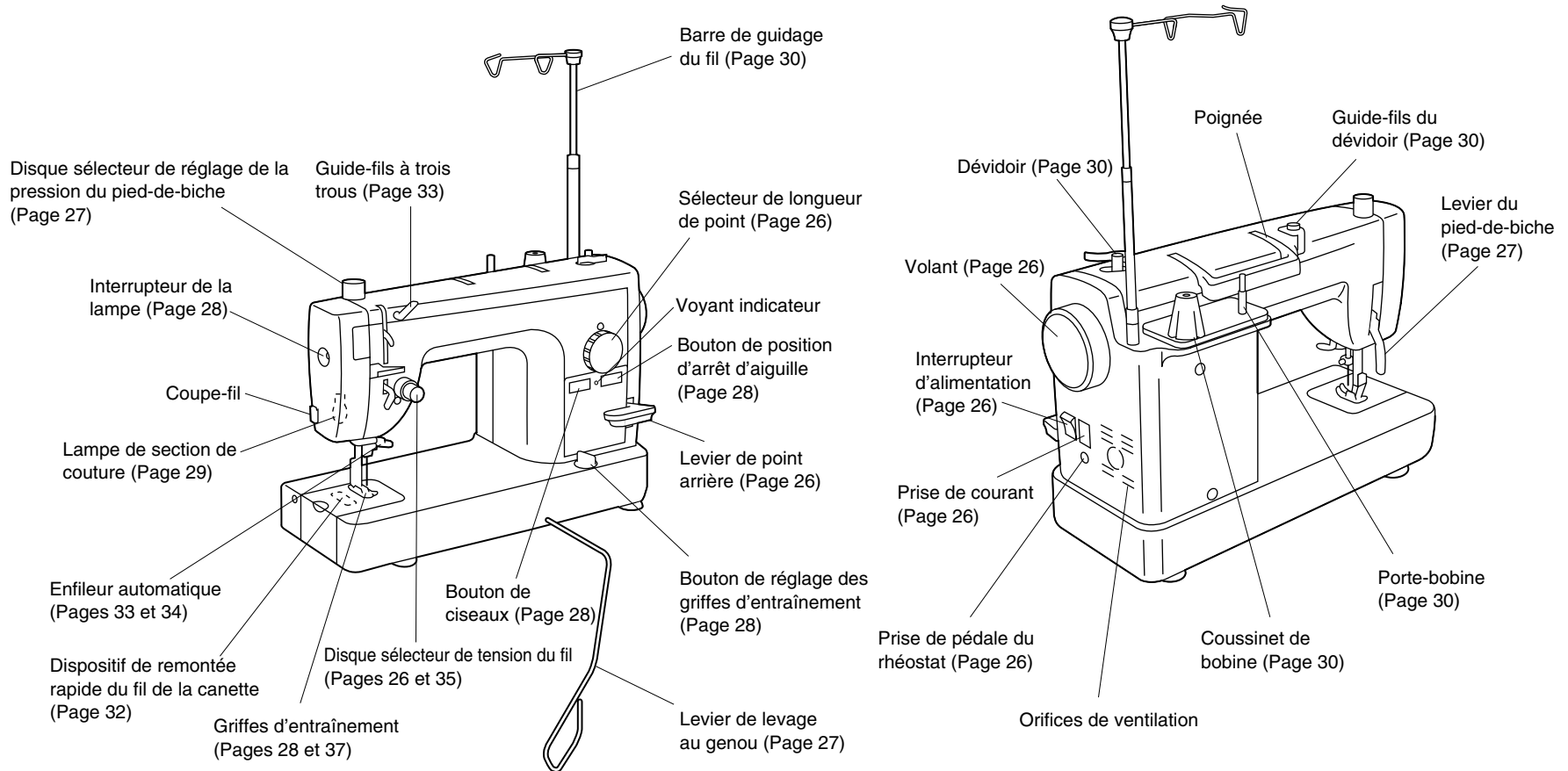
No. de pièce	Désignation	Code de pièce
1	Couvercle	XA0917-052
2	Tournevis moyen	125877-001
3	Petit tournevis	125878-001
4	Brosse de nettoyage	XA4527-001
5	Levier de levage au genou	XA0830-051
6	Aiguilles et boîte (ORGAN HLX5) 1 Taille 9 2 Taille 11 1 Taille 14 1 Taille 16 1 aiguille à pointe-bille	X80805-001
7	Vis de plaque de doublure (2)	062670-812
8	Séparateur de tissu	184720-001
9	Axe d'avance	138483-001
10	Extracteur d'axe d'avance	XC1407-051
11	Pied à usage général	XA1425-001
12	Canette (5)	SA159
13	Capuchon de bobine	XA2111-000
14	Pied pour ourlet rouleauté	X57138-001
15	Pied pour fermeture à glissière	112797-001
16	Pied pour fermeture à glissière invisible	148475-001
17	Pied 1/4"	XA7258-001
18	Pied transparent pour ourtillage/matelassage	XA7255-201
19	Pied double-entraînement	XA7253-001
20	Guide de couture	XA7256-001
21	Pédale du rhéostat	XC1220-051
22	Table de rallonge pour tissu	XC1387-051

## Remarque

Pédale du rhéostat: Modèle P

Cette pédale sert pour le modèle de machine à coudre PQ1500S.

# Fonctions de la machine



# Avant de commencer (1)

## Cordon d'alimentation et pédale

### Remarque

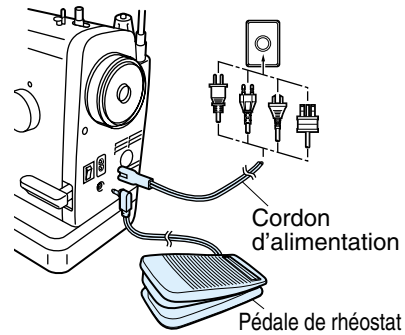
Utiliser un courant secteur domestique ordinaire.

- Brancher le cordon.
- Brancher la pédale sur la machine.

### Remarque

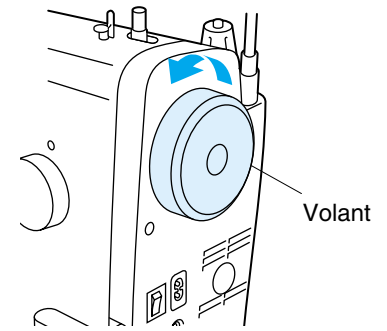
Pédale de rhéostat: Modèle P

Cette pédale sert pour le modèle de machine à coudre PQ1500S.



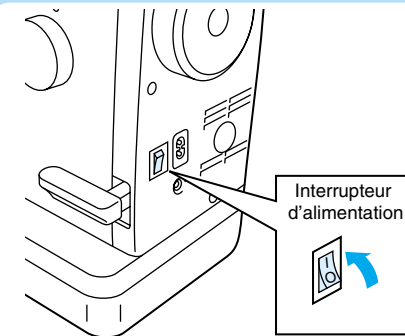
## Volant

- Positionner l'aiguille à l'aide du volant.
- \* Toujours tourner le volant vers soi.



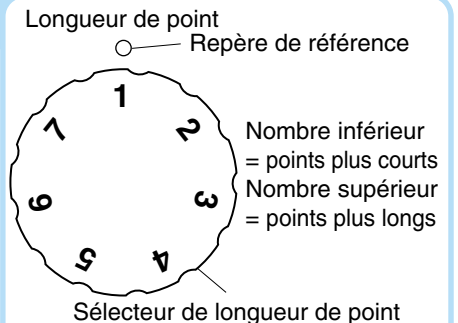
## Interrupteur d'alimentation

- Basculer l'interrupteur sur la position "I" pour allumer la machine à coudre.
- Pour éteindre la machine, basculer l'interrupteur sur la position "O".



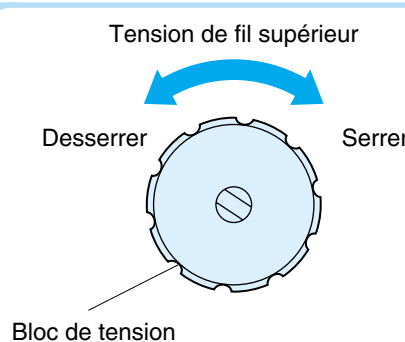
## Sélecteur de longueur de point

- Régler la longueur de point à l'aide du sélecteur de longueur de point.



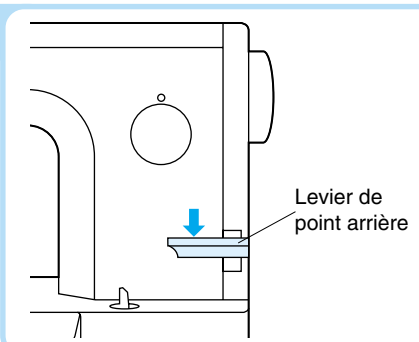
## Disque sélecteur de tension du fil

- Pour augmenter la tension du fil, tourner le sélecteur de tension vers la droite. Le fil supérieur et le fil de la canette se rejoignent sur l'endroit du tissu.
- Pour diminuer la tension du fil, tourner le sélecteur de tension vers la gauche. Le fil supérieur et le fil de la canette se rejoignent sur l'envers du tissu.



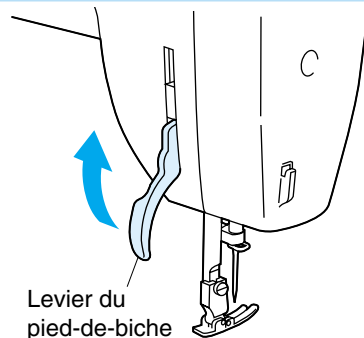
## Levier de point arrière

- Pour coudre en marche arrière, abaisser le levier de point arrière.
- \* Bien abaisser le levier de point arrière à fond pour coudre en marche arrière.
- \* Lorsque le sélecteur de réglage de l'entraînement est réglé entre 5-7mm, la longueur du point arrière est toujours de 5 mm.



## Levier du pied-de-biche

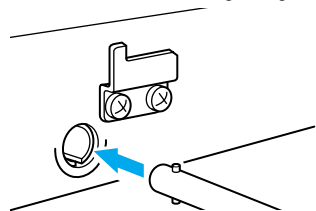
- Abaisser le levier du pied-de-biche pour abaisser le pied sur le tissu et activer la fonction de tension du fil.
- \* Pour travailler dans du tissu lourd et des tissus qui ne glissent pas facilement sous le pied, relever le levier du pied-de-biche pour placer le tissu.



## Levier de levage au genou

- Le levier de levage au genou est pratique pour soulever et abaisser le pied-de-biche en gardant les mains libres.

Installation du levier de levage au genou.



- \* Enfoncer la barre du levier de levage au genou à fond dans la prise.
- \* Lorsqu'on ne se sert pas du levier de levage au genou, on pourra le laisser sur l'envers de la table de rallonge pour tissu.

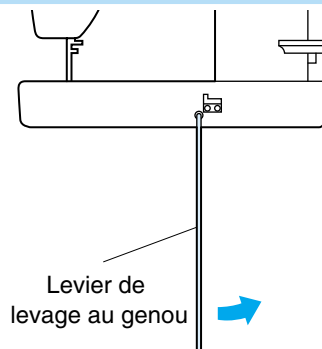
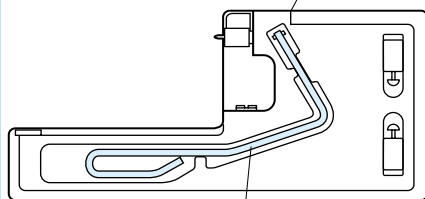


Table de rallonge pour tissu

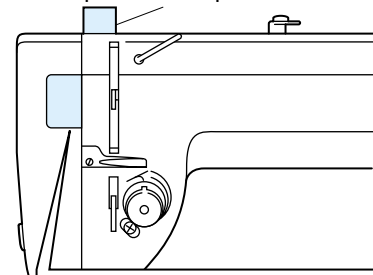


Levier de levage au genou

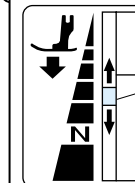
## Disque sélecteur de réglage de la pression du pied-de-biche

- Tourner le sélecteur de pression pour faire monter ou descendre l'aiguille de l'indicateur de pression à mesure que la pression du pied-de-biche change.
- Voir également: "Bouton de réglage des griffes d'entraînement", page 28.

Disque sélecteur de réglage de la pression du pied-de-biche



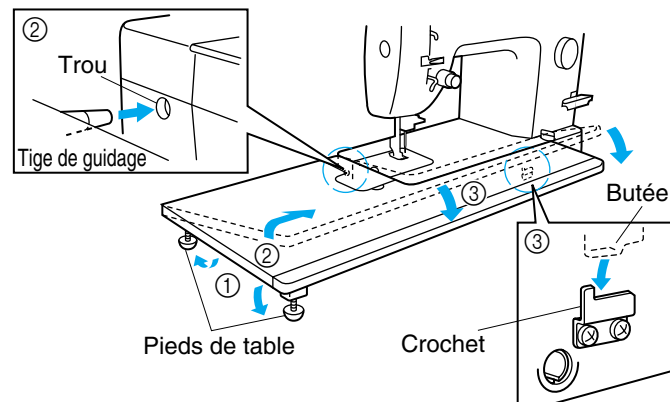
- \* Voir "Tension des fils" à la page 35.



Aiguille de l'indicateur de pression

## Table de rallonge pour tissu

- Abaisser les pieds de table et fixer la table de rallonge pour tissu comme indiqué sur le schéma ci-dessous.





# Avant de commencer (2)

## Bouton de ciseaux

### ▲ Remarque

Si la machine s'arrête, notamment en cas de bourrage de fils, etc., ne pas appuyer sur la pédale; vérifier la situation après avoir mis la machine hors tension et en déplaçant l'aiguille avec le volant à main. Sinon, l'aiguille risque de casser.

- Les ciseaux coupent le fil supérieur et le fil de la canette à la fin des coutures.



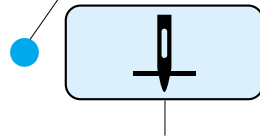
Bouton de ciseaux

- \* Appuyer avec le levier du pied-de-biche abaissé.

## Bouton de position d'arrêt d'aiguille

- Quand le voyant indicateur est allumé, la machine s'arrête automatiquement avec l'aiguille baissée, plantée dans le tissu.
- Si le voyant est éteint, la position de l'aiguille au moment de l'arrêt de la couture sera aléatoire.
- Si le mécanisme de sécurité s'est déclenché, par exemple si le fil est emmêlé, le voyant rouge clignote.

Voyant indicateur

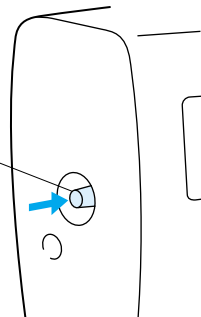


Bouton de position d'arrêt d'aiguille

## Interrupteur de la lampe

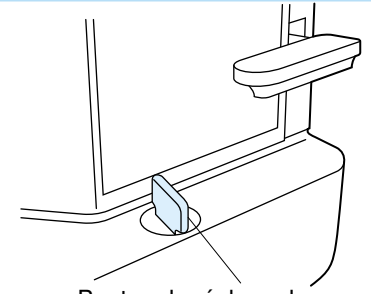
- Appuyer sur l'interrupteur pour allumer et éteindre la lampe sur la section de couture.

Interrupteur de la lampe



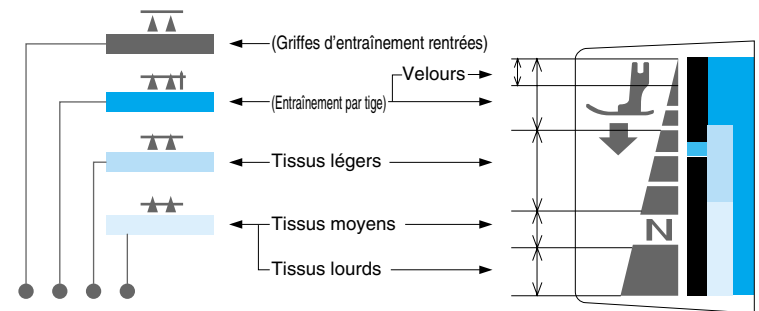
## Bouton de réglage des griffes d'entraînement

- Il est possible de régler la hauteur des griffes d'entraînement en fonction du poids du tissu.




Bouton de réglage des griffes d'entraînement

## Pression du pied-de-biche et position des griffes d'entraînement



Sélectionner l'une des quatre positions de griffes d'entraînement, en fonction des besoins.

### Remarque

Si on sélectionne un réglage autre que , le mécanisme d'entraînement par ergot ne fonctionnera pas.

# Remplacement de l'aiguille et de l'ampoule de lampe

## ▲ Remarque

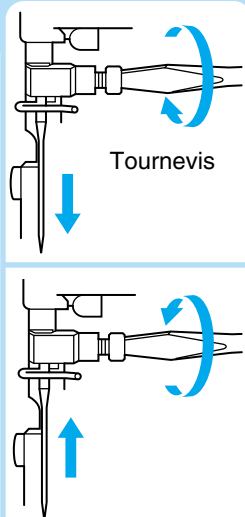
Bien éteindre la machine à coudre avant d'effectuer les opérations suivantes. Sinon, la machine risque de se mettre en marche accidentellement et de provoquer des blessures.

## Remplacement de l'aiguille

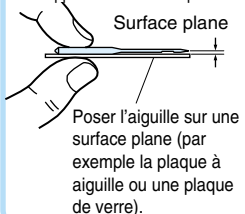
- 1 Eteindre la machine. Relever l'aiguille sur la position de levage maximal à l'aide du volant, et abaisser le pied-de-biche.
- 2 Desserrer la vis avec un tournevis et retirer l'aiguille.
- 3 Tenir l'aiguille avec la section plate sur la droite, et insérer l'aiguille à fond. Bien s'assurer qu'elle est vissée à fond.

\* Si l'aiguille n'est pas insérée correctement ou si la vis est trop lâche, l'aiguille risque de se casser ou la machine risque de tomber en panne et l'enfileur ne fonctionnera pas.

\* Vérifier les aiguilles sur une surface plane pour s'assurer qu'elles ne sont pas tordues.

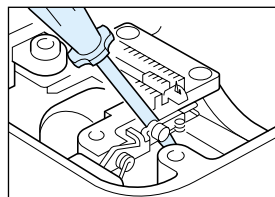


L'aiguille doit être parallèle par rapport à une surface plane.

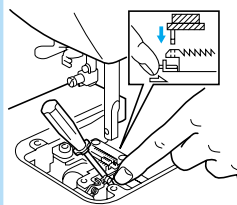
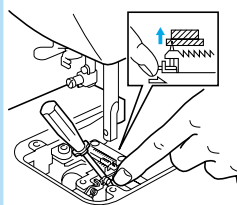
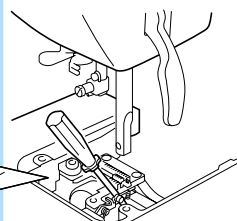
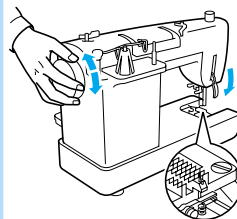


## Remplacement de l'ergot d'entraînement

- 1 Régler les griffes d'entraînement sur la position "velours". (Voir page 28.)
- 2 Retirer l'aiguille, le pied-de-biche et la plaque à aiguille.
- 3 Abaisser le pied-de-biche et tourner le volant jusqu'à ce que l'ergot d'entraînement soit à la position de levage maximale.
- 4 Insérer le petit tournevis (fourni) comme indiqué sur le schéma.



- 5 Tout en tenant le ressort du bout des doigts, abaisser le changeur d'ergot d'entraînement sur l'aiguille pour relever la tige.



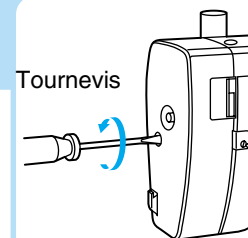
- 6 Fixer un nouvel ergot d'entraînement au changeur d'ergot d'entraînement, abaisser et fixer tout en tenant le ressort du bout des doigts.
- 7 Retirer le tournevis.
- 8 Remonter la plaque à aiguille et le pied-de-biche.

## ▲ Remarque

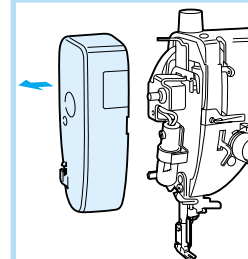
Veiller à ce que la machine à coudre soit hors tension avant d'effectuer les opérations suivantes. La plaque de verre qui abrite l'ampoule de la lampe est chaude immédiatement après l'utilisation de la machine; nous conseillons dès lors d'attendre que l'ampoule ait refroidi avant de changer cette dernière.

## Remplacement de l'ampoule

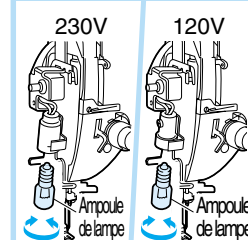
- 1 Eteindre la machine.
- 2 Retirer la vis de la tête.



- 3 Retirer le logement de l'ampoule.



- 4 Dévisser l'ampoule et la retirer.
- 5 Visser une nouvelle ampoule. Lampe de couture : voir page 43.
- 6 Remonter le logement de l'ampoule et visser à fond.



## Remarque

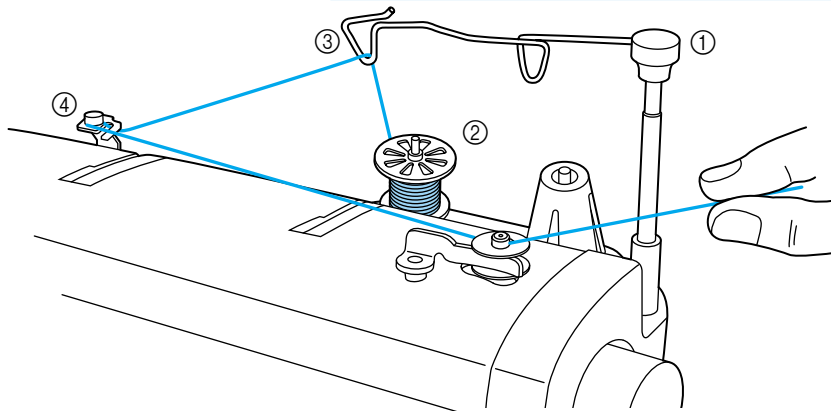
Utiliser des aiguilles HLX5; toutefois, on pourra également utiliser des aiguilles Schmetz 130/705H dans des circonstances normales d'utilisation.

# Enfilage (1)

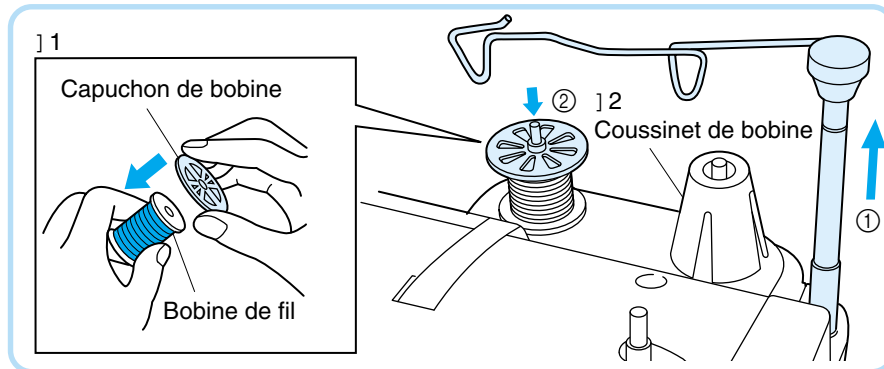
## Remplissage de la canette

### ▲ Remarque

Ne pas déplacer la butée de canette pendant que la machine fonctionne.

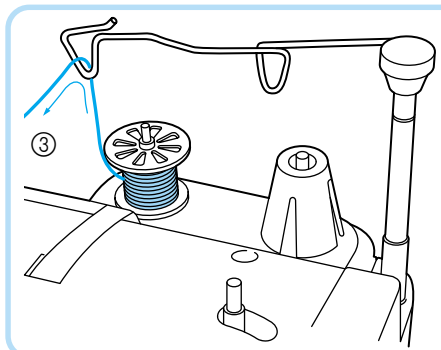


⑤ - ⑩: Voir les illustrations suivantes.

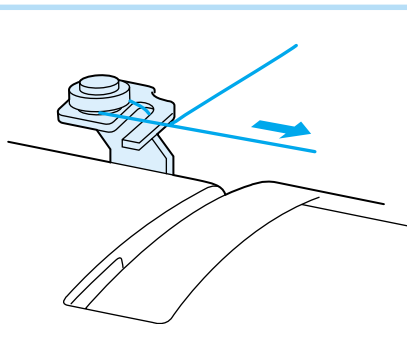


- ① Relever la barre de guidage du fil au maximum.
- ② Placer une bobine de fil sur le porte-bobine.

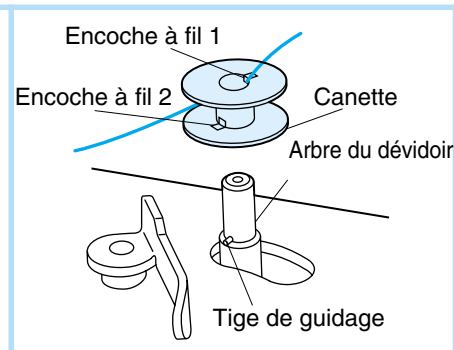
- \*1 Avec un fil enroulé parallèlement, utiliser le capuchon de bobine.
- \*2 Avec un fil enroulé croisé, utiliser le coussinet de bobine.



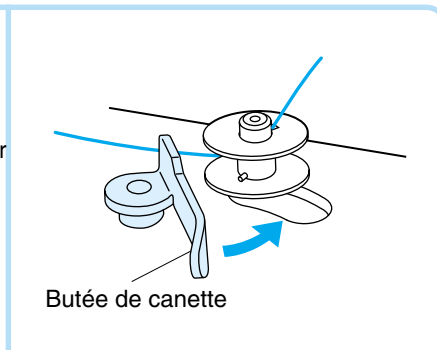
③ Passer le fil par l'orifice triangulaire.



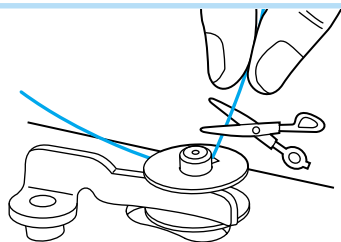
④ Passer le fil par le guide-fil de bobinage de la canette comme illustré sur le schéma.



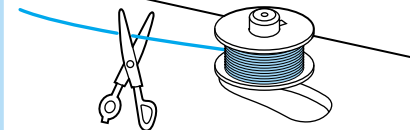
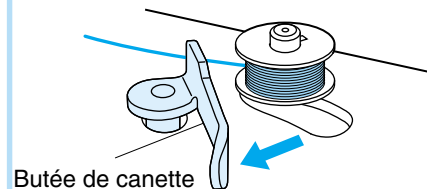
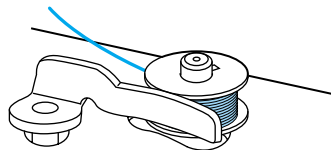
⑤ Faire passer le fil dans l'encoche supérieure 1 puis aligner l'encoche inférieure 2 sur la tige de guidage de l'axe du dévidoir.



⑥ Pousser la butée de canette contre la canette vide. Si la butée de canette ne glisse pas facilement entre les côtés supérieur et inférieur de la canette, vérifier si la canette est installée correctement, avec la tige de guidage (⑤) insérée dans l'encoche inférieure.



] Placer l'extrémité du fil de façon qu'il ne ressorte pas de la



⑦ Tout en tenant l'extrémité du fil, appuyer sur la pédale pendant quelques secondes. Quand il s'est enroulé suffisamment de fil sur la canette pour que le fil reste en place, relâcher la pédale et couper l'excédent de fil. Continuer à remplir la canette en appuyant sur la pédale.

⑧ Arrêter le bobinage lorsque la canette est pleine. Retirer le pied de la pédale.

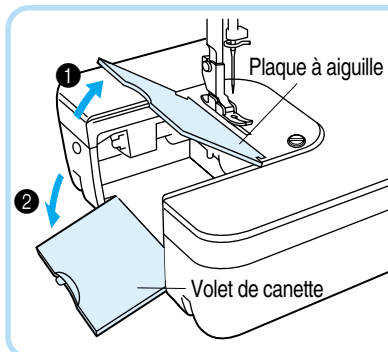
⑨ A la main, ramener la butée de canette à sa position d'origine.

⑩ Couper le fil et enlever la canette.

## Insertion de la canette

### ⚠ Attention – Déplacement des pièces –

Pour éviter tout risque de blessure, toujours éteindre la machine avant toute intervention technique. Ouvrir les couvercles.



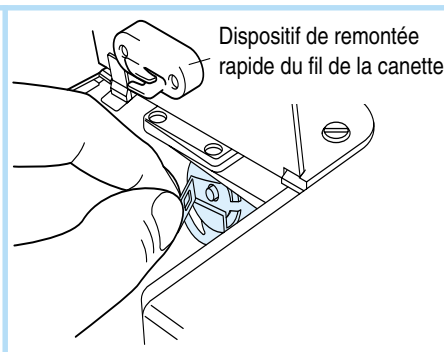
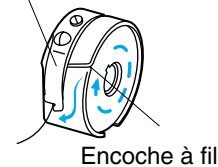
① Soulever la plaque à aiguille et ouvrir le volet de la canette.



② Mettre la canette dans le boîtier de la canette.

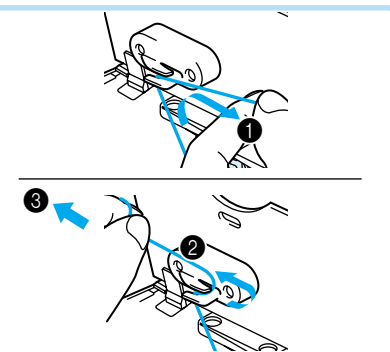
- \* Faire passer le fil dans l'encoche prévue et sous le ressort de verrouillage de manière à laisser sortir quelques cm de fil.
- \* Toujours utiliser le boîtier de canette livré avec la machine. Un deuxième boîtier peut également être commandé auprès du revendeur.

Ressort de verrouillage



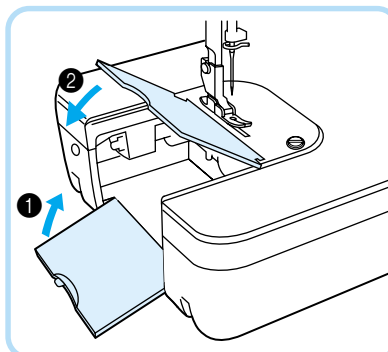
③ Tirer sur le levier de verrouillage du boîtier de la canette, enfoncer le boîtier de la canette dans la coursière de navette et relâcher le levier de verrouillage.

- \* Si le levier de verrouillage n'est pas placé correctement sur le crochet, le boîtier risque d'être éjecté pendant la couture et de provoquer des ruptures du fil inférieur. Tourner le volant à main un tour complet vers soi pour s'assurer que le boîtier de la canette est bien en place.



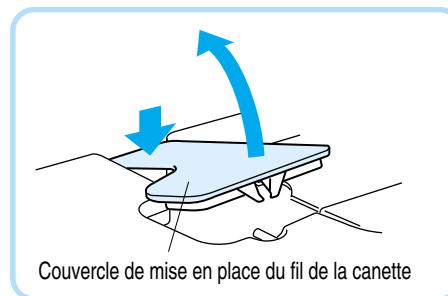
④ Passer le fil dans le dispositif de remontée rapide du fil de la canette dans l'ordre ① ②, tirer dans le sens de la flèche ③ puis couper le fil.

★ Dispositif de remontée rapide du fil de la canette  
Ce dispositif coupe le fil de la canette à une longueur appropriée après le remplacement de la canette et le garde à cette longueur; de cette manière, on ne peut pas omettre l'opération de remontée du fil.



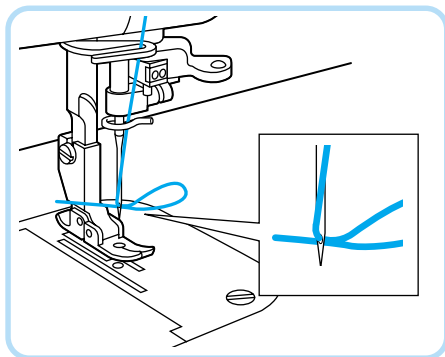
⑤ Abaisser la plaque coulissante et refermer le volet de la canette en suivant l'ordre ① ② ci-dessus.

### ● Lorsque la table de rallonge pour tissu est en place



Ouvrir au préalable le couvercle de mise en place du fil de la canette puis mettre le fil de la canette en place. (Vous pouvez mettre le fil de la canette en place sans ôter la table de rallonge pour tissu.)





⑥ Tirer la boucle de fil vers la droite.

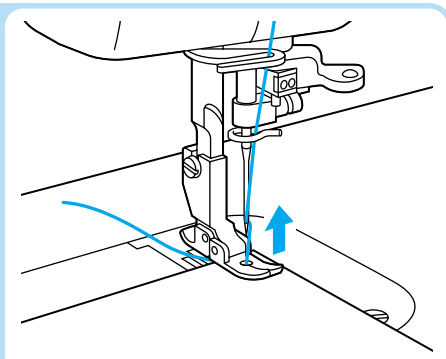
Aiguille (HLX5)	Fil
#9	#20 #30 #50 #60
#11	#20 #30
#14	#20 #30
#16	#20

- Certaines combinaisons de fil et d'aiguille ne permettent pas d'utiliser l'enfileur automatique, comme indiqué sur le tableau de gauche. Un fil de nylon transparent pourra être utilisé indépendamment des indications du tableau, à condition d'utiliser une aiguille #14 ou #16.

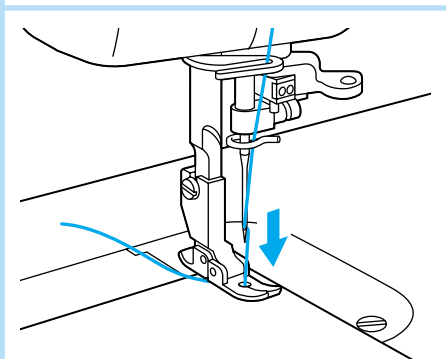
# Points d'essai et tableau d'aiguilles

## Points d'essai

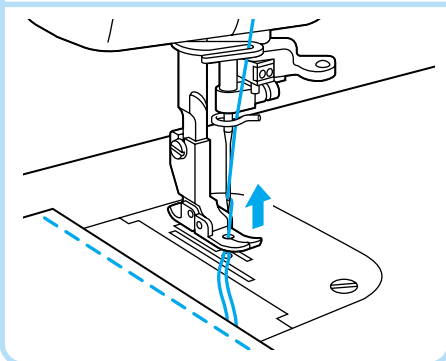
① Régler le sélecteur de longueur de point sur la longueur de point voulue.  
 ② Vérifier qu'il y a environ 15 cm de fil supérieur et de fil de canette de sortis, et qu'ils sont placés derrière le pied-de-biche. L'aiguille étant en position relevée, mettre un morceau de tissu sous le pied-de-biche pour faire un essai.



③ Abaisser le pied-de-biche.  
 ④ Tourner le volant à main vers l'avant pour abaisser l'aiguille et la piquer dans le tissu puis appuyer doucement sur la pédale pour commencer à coudre.



⑤ Tourner le volant à main vers soi pour relever complètement l'aiguille et le levier d'enfilage.  
 ⑥ Relever le pied-de-biche, enlever le tissu et couper le fil.

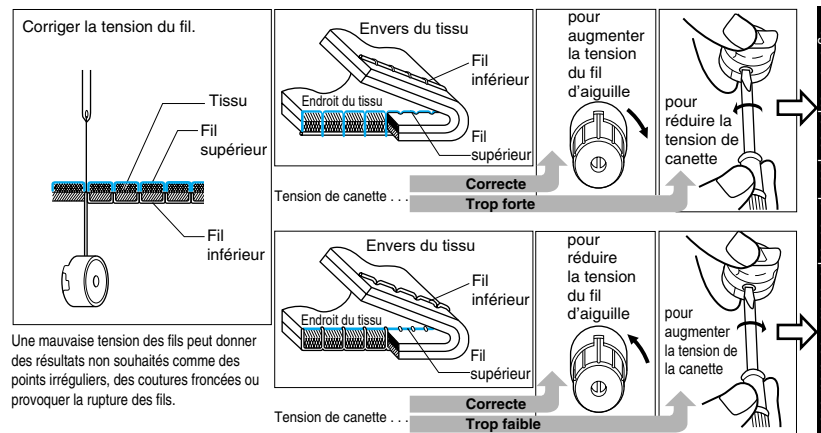


\* Si l'on utilise les ciseaux:

⑤ Appuyer sur le bouton du coupe-fil pendant que le levier du pied-de-biche est abaissé.  
 ⑥ Relever le pied et enlever le tissu.

## Tension des fils

\* Le fil de canette doit être alimenté régulièrement. Régler le fil de canette en fonction de la tension du fil supérieur. (Si le fil de canette est trop serré, le tissu risque de se plisser.)



Une mauvaise tension des fils peut donner des résultats non souhaités comme des points irréguliers, des coutures froncées ou provoquer la rupture des fils.

Régler le fil supérieur pour qu'il corresponde au fil de la canette.

## ● Sélectionner l'aiguille qui convient pour le tissu et le fil

\* Le tableau ci-dessous concerne différentes combinaisons de tissus, de fils et d'aiguilles.

	Combinaisons tissu-fil-aiguille			HLX5	Schmetz 130/705H
	Tissu	Fil	Aiguille (HLX5)		
Tissu spécial	Velours	Soie, polyester #30 – #50	#11 – #14	#9	#65
	Matelassage	Polyester #20 – #50		#11	#75
	Daim synthétique	Polyester #20 – #50	#11 – #16	#14	#90
	Jersey	Polyester #20 – #50		#16	#100
	Revêtement	Polyester #50		#18	#110
Tissu léger	Batiste	Coton #80	#9		
	Tricot	Polyester #60			
	Soie Georgette	Soie #50			
	Laine Georgette	Soie, polyester #50		#11	
Tissu moyen	Vichy	Coton #60 – #80	#11 – #14		
	Tricot léger, jersey	Polyester #60			
	Gabardine, flanelle	Soie #50		#11	
Tissu lourd	Jeans	Coton #20 – #50	#14 – #18		
	Jersey	Polyester #20 – #50			
	Tweed	Soie #20 – #50	#11 – #16		

- \* Il est recommandé d'utiliser des aiguilles HLX; toutefois, on pourra également utiliser des aiguilles Schmetz 130/705H dans des conditions normales d'utilisation.
- \* Régler le sélecteur de pression et le bouton des griffes d'entraînement en fonction du tableau repris sur la machine à coudre.
- \* Avec des tissus comme du jersey ou des tricots, utiliser une aiguille à bille ou toute autre aiguille spécialement conçue pour les tricots.



# Changement du pied-de-biche

**▲ Remarque** Bien éteindre la machine avant de changer le pied-de-biche.

## Changement du pied-de-biche (Pied pour fermeture à glissière)

- ① Relever le pied-de-biche et relever l'aiguille à la position maximale.
- ② Desserrer la vis à l'aide d'un tournevis.

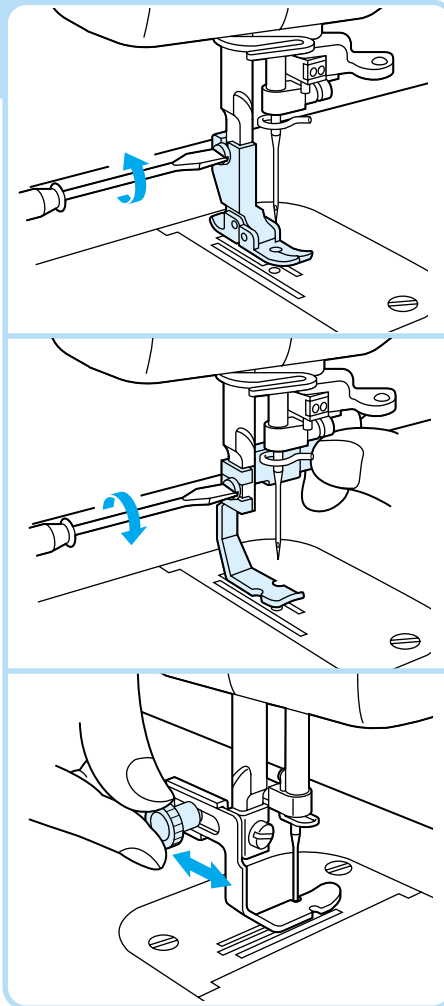
- ③ Fixer le pied pour fermeture à glissière et resserrer la vis.

\* Procéder de la même façon pour fixer l'autre pied livré avec la PQ1500S.

\* Pour le sens de fixation du pied intérieur, voir page 41.

\* Utiliser le bouton de position au dos du pied pour fermeture à glissière pour régler la position du pied par rapport à l'aiguille.

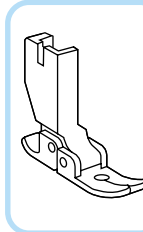
\* Seul le pied pour fermeture à glissière possède un bouton de position. On peut commencer à coudre avec tous les autres pieds-de-biche dès que le pied est fixé.



## Les différents pied-de-biche

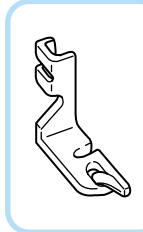
### ● Pied à ergot d'entraînement

Pour obtenir des points parfaits sur des tissus difficiles comme le velours, le cuir et le daim.



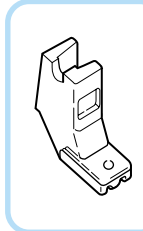
### ● Pied pour ourlet rouleauté

S'utilise sur le bord du tissu, comme sur les ourlets des chemises, pour replier le bord du tissu tout en cousant.



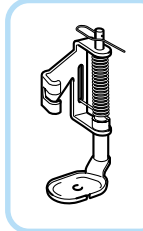
### ● Pied pour fermeture à glissière invisible

Permet de fixer des fermetures à glissière invisibles.



### ● Pied transparent pour ouatage/matelasage

Pour réaliser des surpiques parfaites (couette, coussin, ...).

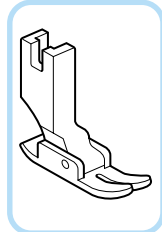


### ● Pied à usage général

Ce pied convient pour la plupart des travaux de couture. (Sert également pour les tissus lourds et les coutures.)

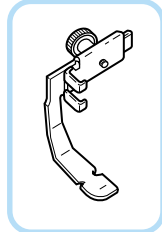
\* Lors de la couture d'ourlets épais, guider légèrement le tissu en plaçant la main à l'envers de la couture.

\* Peut également être utilisé avec un entraînement par ergot.



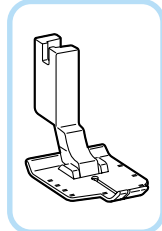
### ● Pied pour fermeture à glissière

Permet de fixer des fermetures à glissière autres que les fermetures invisibles.



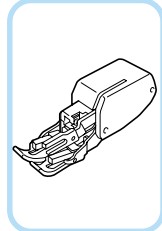
### ● Pied 1/4"

Pour coudre du quilting et du patchwork avec un déplacement de 1/4" et 1/8".



### ● Pied double-entraînement

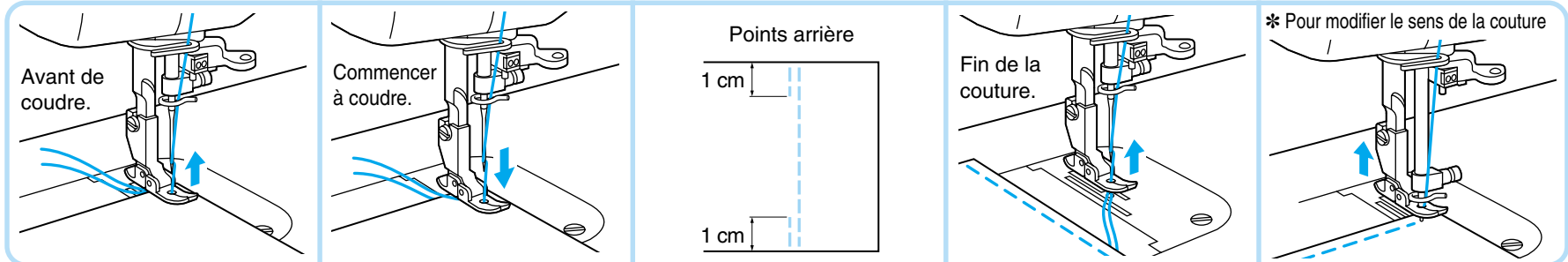
Entraîne le tissu fin ou épais pour éviter le froncage. Très utile pour le quilting.



\* Utiliser uniquement les pieds fournis avec la PQ1500S. Chaque pied a été spécialement conçu pour cette machine et possède au dos l'espace nécessaire pour la tige. L'utilisation d'autres pieds-de-biche avec les machines de la série PQ risque d'endommager ou de casser le mécanisme d'entraînement par ergot.

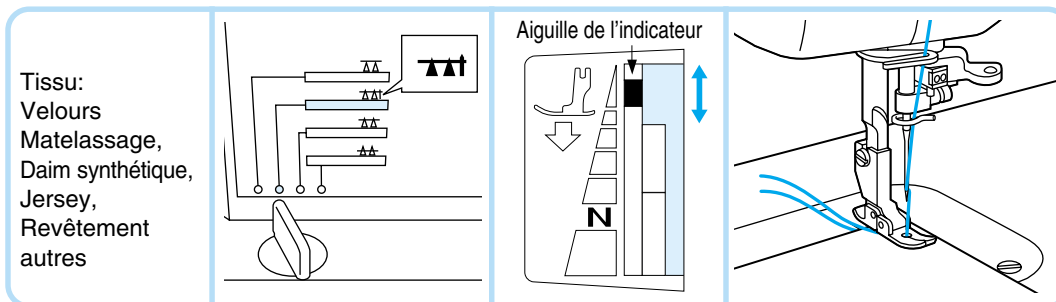
# Couture de base (1)

## Couture de base



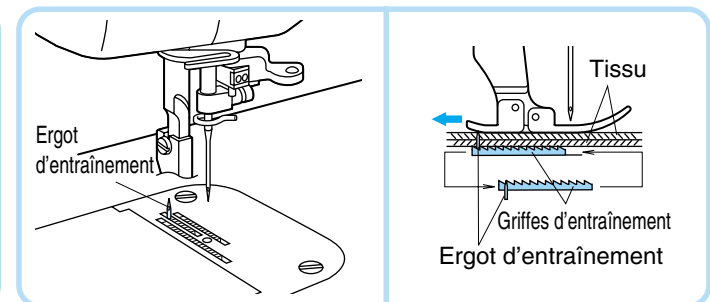
- ① Relever le pied-de-biche, sortir environ 15 cm de fil supérieur et de fil de canette et les faire passer derrière le pied-de-biche, puis placer le tissu sous le pied-de-biche.
- ② Abaisser le levier pour abaisser le pied-de-biche.
- ③ Tourner le volant à main vers soi pour abaisser l'aiguille et la piquer dans le tissu puis appuyer légèrement sur la pédale pour commencer à coudre.
- \* Au début et à la fin d'une couture, appuyer sur le levier de point arrière et coudre en marche arrière sur environ 1 cm.
- ④ Relever l'aiguille au maximum.
- ⑤ Relever le pied-de-biche, retirer le tissu et couper le fil.
- \* Si l'on utilise le coupe-fil:
  - ④ Appuyer sur le bouton du coupe-fil (le fil supérieur et le fil de canette se coupent automatiquement et l'aiguille s'arrête en position relevée).
  - ⑤ Relever le pied-de-biche et retirer le tissu.
- ① S'assurer que l'aiguille a complètement traversé le tissu.
- ② Relever le pied-de-biche et tourner le tissu en utilisant l'aiguille comme axe.
- ③ Abaisser le pied-de-biche et continuer à coudre.

## Entraînement par ergot (pour les tissus difficiles à manipuler)



- \* Les tissus illustrés ci-dessus peuvent être cousus ensemble de manière égale en activant le mécanisme d'entraînement par ergot.
- ① Mettre le bouton de réglage d'entraînement sur la position d'entraînement par ergot.
  - ② Régler le sélecteur de pression jusqu'à ce que l'indicateur d'aiguille se trouve sur la position correcte dans la zone codée de correspondance des couleurs.
  - ③ Tirer délicatement sur le fil jusqu'à ce que l'ergot d'entraînement attrape le tissu, et coudre.

## Mécanisme d'entraînement par ergot



L'ergot d'entraînement remonte de façon à traverser toutes les épaisseurs de tissu et il se déplace sous l'effet du mouvement des griffes d'entraînement de manière à entraîner le tissu de façon uniforme.

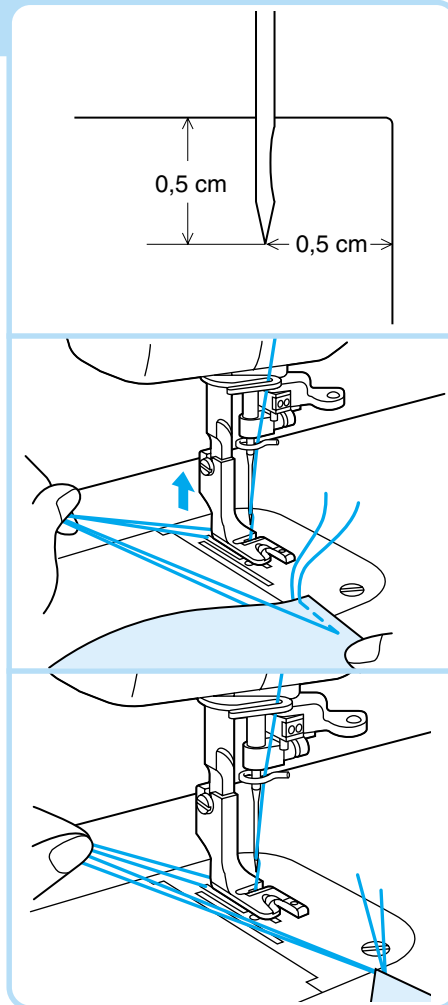
- \* Pour des raisons de sécurité, l'ergot d'entraînement s'abaisse automatiquement quand on relève le pied-de-biche.

# Couture de base (2)

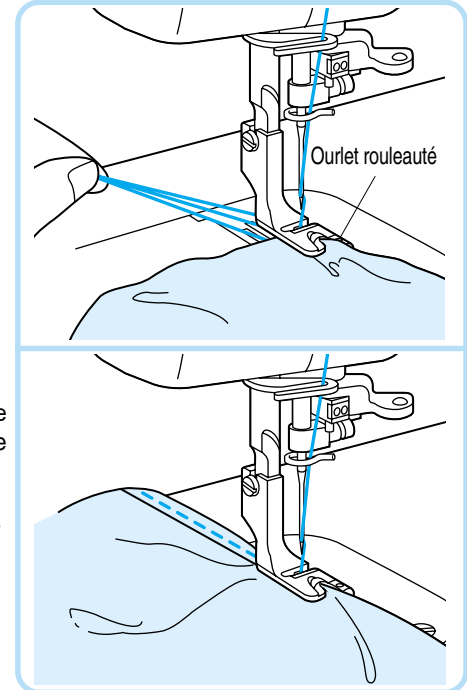
**▲ Remarque** Bien éteindre la machine avant de changer le pied-de-biche.

## Pied pour ourlet rouleauté

- ① Fixer le pied pour ourlet rouleauté.  
\* Pour le changement des pieds-de-biche, voir page 36.
- ② Insérer l'aiguille à environ 0,5 cm du bord du tissu et coudre 2 points.
- ③ Tourner le volant à main vers soi pour relever l'aiguille, relever le pied-de-biche puis tirer le tissu vers l'avant.
- ④ Tenir les 4 fils de la main gauche.



- ⑤ De la main droite, placer le bord de l'ourlet roulotté sous le pied-de-biche, au point où les fils ressortent. Puis insérer le bord de façon qu'il se trouve juste sous l'aiguille. Abaisser le pied-de-biche.



- ⑥ Tirer délicatement sur les fils de la main gauche pendant la couture des 3 ou 4 premiers points de façon qu'ils restent en place.
- ⑦ Replier l'ourlet sur environ 0,5 cm et continuer à faire avancer l'ourlet replié sous le pied tout en cousant vers le guide recourbé du pied.

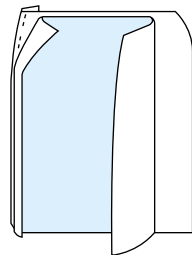
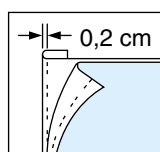
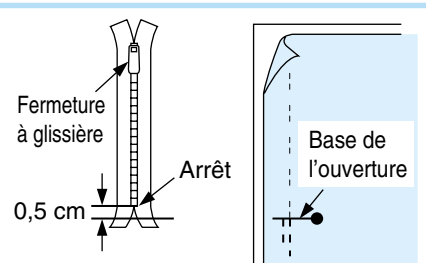
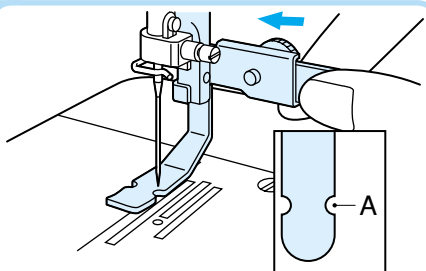
# Couture de base (3)

## ▲ Remarque

- Bien éteindre la machine avant de changer le pied-de-biche.
- Pour coudre une fermeture à glissière sur un tissu extensible, utiliser la méthode d'entraînement par ergots, et régler la pression du pied en conséquence.
- Le pied pour fermeture à glissière peut également servir de guide lors de la fixation de rouleaux au tissu.

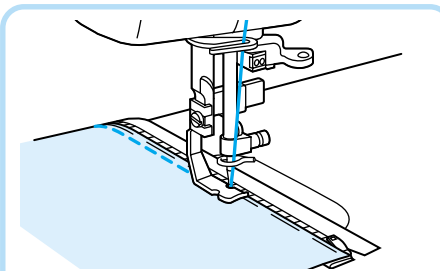
## Pied pour fermeture à glissière

- ① Fixer le pied pour fermeture à glissière.  
\* Voir "Changement du pied-de-biche (Pied pour fermetures à glissière)" à la page 36.
- ② Tourner le volant à main vers soi pour abaisser l'aiguille et régler la position du pied par rapport à l'aiguille; utiliser la vis de réglage pour faire glisser le pied de la gauche vers la droite.
- ③ Placer la fermeture à glissière à l'endroit du tissu où elle doit être cousue, et marquer la base de l'ouverture sur le tissu. Elle devra se trouver à environ 0,5 cm en dessous de l'arrêt de la fermeture à glissière. Coudre à partir du dessous de la base de l'ouverture.
- ④ Diviser la marge de la couture. Plier la marge de la couture avec la partie superposée de la fermeture à glissière au-dessous, à 0,2 cm de l'extérieur du trait.

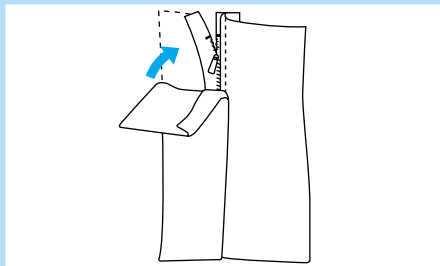


- ⑤ Faufileur la fermeture à glissière pour la fixer puis coudre le long du trait.

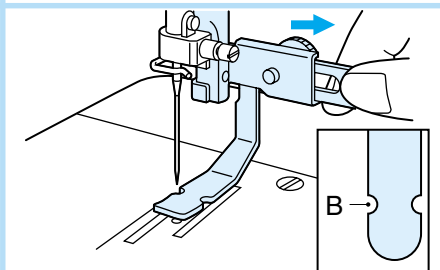
- ▲ Veiller à ce que l'aiguille ne heurte pas la section métallique de la fermeture à glissière pendant la couture. L'aiguille pourrait se casser et provoquer des blessures.



- ⑥ Aligner l'ourlet replié à l'envers sur les points.

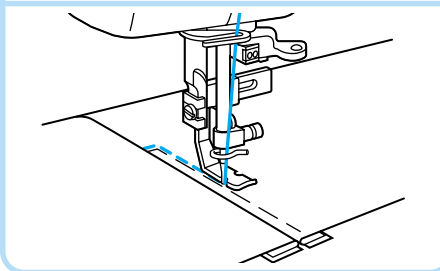


- ⑦ Changer la position du pied pour fermeture à glissière.
- ⑧ Tourner le volant à main pour abaisser l'aiguille et mettre le pied-de-biche en place.



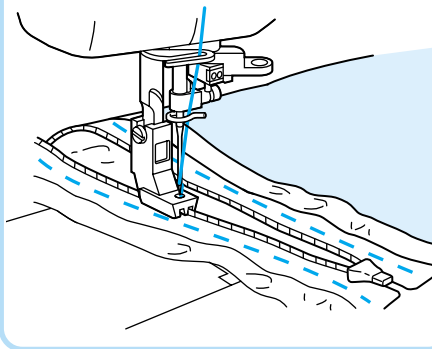
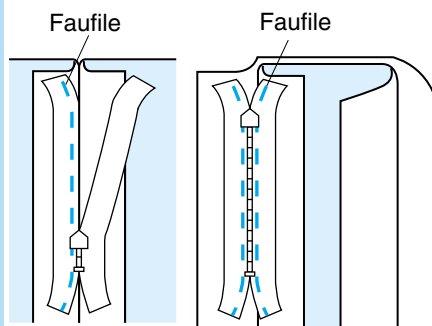
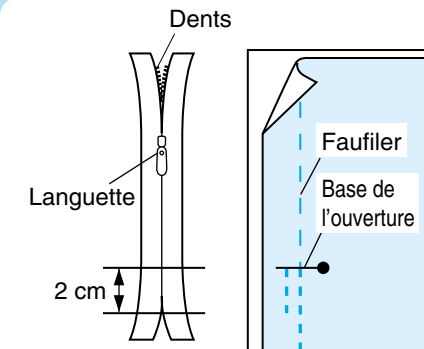
- ⑨ Tourner l'endroit du tissu vers le haut, faufileur la fermeture à glissière sur le tissu puis coudre le bord du faufileur.

- \* Renforcer la base de l'ouverture en la cousant deux fois.
- \* Si la languette de la fermeture à glissière gêne la couture, enfoncer l'aiguille au maximum dans le tissu, relever le pied et déplacer la fermeture à glissière sur le côté.



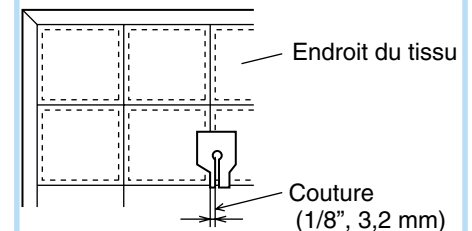
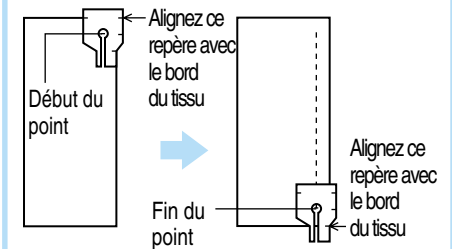
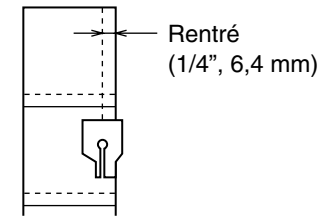
## Pied pour fermeture à glissière invisible

- ① Fixer le pied pour fermeture à glissière à glissière invisible.
  - ② Disposer la fermeture à glissière sur le tissu. Marquer la base de l'ouverture à environ 2 cm au-dessus de l'extrémité de la fermeture à glissière.
  - ③ Faufile l'emplacement de la fermeture à glissière.
- ④ Séparer l'espace de la couture.
  - ⑤ Lorsque la fermeture à glissière est en place, faufile uniquement la marge de la couture d'un côté de la fermeture à glissière.
  - ⑥ Remonter la fermeture à glissière pour la fermer et faufile l'autre côté.
  - ⑦ Retirer le faufile à l'emplacement de la fermeture à glissière.
- ⑧ Placer les dents de la fermeture à glissière dans la rainure du pied-de-biche, les guider pour éviter qu'elles ne tombent puis coudre jusqu'à la base de l'ouverture.
- \* Si l'on effectue la couture avec les dents de la fermeture sur la droite, le côté gauche du pied devra être aligné sur les dents gauches de la fermeture à glissière.



## Pied 1/4"

- Réglages de la machine à coudre:  
Longueur de point = 2 - 2,5
- Vous pouvez piquer un rentré constant (1/4", 6,4 mm) quand vous cousez ensemble une ouate.
- Utiliser les repères de guidage pour commencer, terminer ou pivoter de 6,4 mm (1/4") du bord du tissu.
- Vous pouvez effectuer une deuxième couture droite à 3,2 mm (1/8") de la couture.

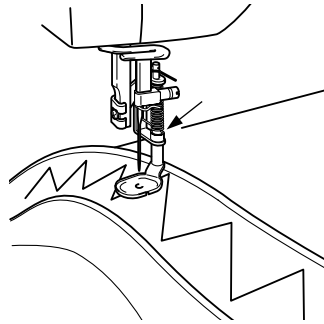


## Pied transparent pour ouatinage/matelassage

Réduire la pression du pied-de-biche et tourner le sélecteur sur la machine en abaissant les griffes d'entraînement pour le matelassage en bras libre.

### ▲ Remarque

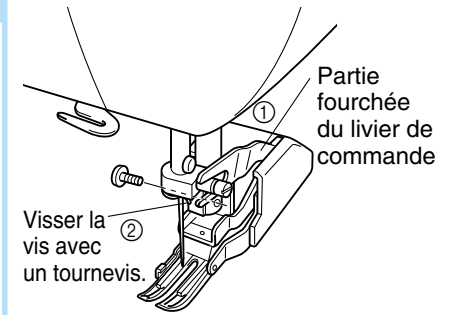
Si l'on utilise fréquemment le pied, bien appliquer une petite quantité d'huile environ une fois par mois à l'endroit indiqué par la flèche. (Si l'on a mis trop d'huile, essuyer l'excédent avec un chiffon.)



## Pied double-entraînement

### ▲ Remarque

- Ne pas appuyer à fond sur la pédale. Essayer de conserver une vitesse de couture lente (500t/mn ou moins).
- Le tissu risque de ne pas être entraîné si la vitesse de couture est trop élevée.
- Les griffes d'entraînement qui font avancer le tissu risquent de ne pas avancer si la pression du pied sur le tissu est trop forte. Utiliser le sélecteur de pression du pied-de-biche pour obtenir les résultats souhaités.
- Il n'est pas recommandé ni nécessaire d'utiliser le mode d'entraînement par ergots avec le pied intérieur.



- ① Lorsque le levier de commande est relevé à la verticale, insérer sa partie fourchue dans la vis située à droite de la barre à aiguille, comme illustré, puis insérer la vis.
- ② Serrer la vis avec un tournevis sinon elle pourrait se desserrer en raison des vibrations du pied et du levier de commande.

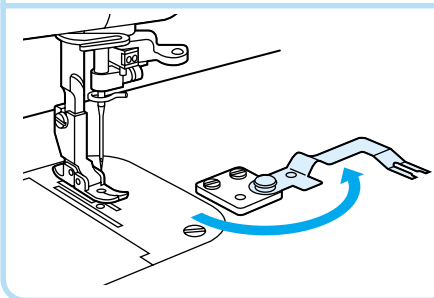
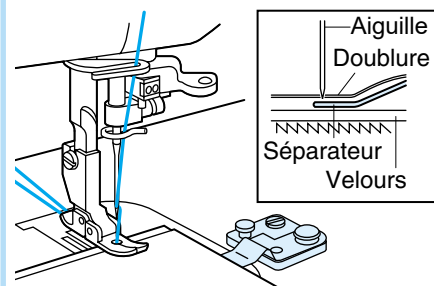
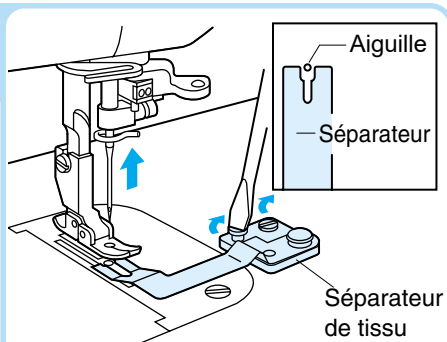
## Séparateur de tissu (pour fixer une doublure au tissu)

\* Utiliser cette technique pour coudre ensemble du velours et de la doublure.

- 1 Relever l'aiguille et le pied-de-biche.
- 2 Amener le séparateur sous le pied-de-biche.
- 3 Vérifier que le séparateur est placé de façon que l'aiguille traverse la fente du séparateur sans heurter la plaque.
- 4 Fixer la plaque de doublure à l'aide des vis de la plaque de doublure.
- 5 Régler la pression du pied-de-biche et avancer le tissu sur la position d'entraînement par ergot.
- 6 Maintenez les fils ensemble jusqu'à ce que l'aiguille pique dans les 2 tissus.

\* Coudre 2 ou 3 points de renfort.

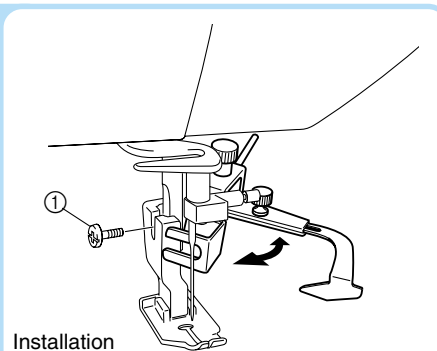
- 7 Lorsqu'on ne se sert pas du séparateur, on pourra le replier sur le côté comme indiqué sur le schéma.



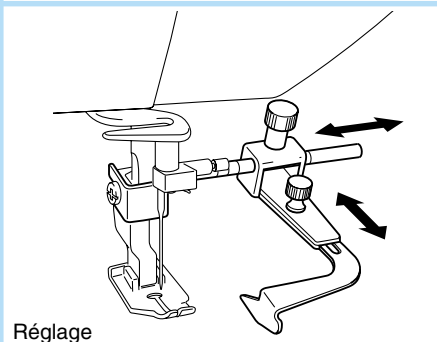
- Utiliser le séparateur pour obtenir une couture nette avec 2 tissus difficiles à manipuler en les empêchant d'interagir l'un sur l'autre avant que l'aiguille ne les couse en une couture parfaite.

## Guide de couture

- 1 Serrer la vis avec un tournevis sinon elle pourrait se desserrer en raison des vibrations.



Pour pouvoir ajuster la position du pied dans le sens de la flèche.



### ▲ Remarque

- Relâcher légèrement la pression du pied-de-biche lorsqu'on utilise le séparateur de tissu.

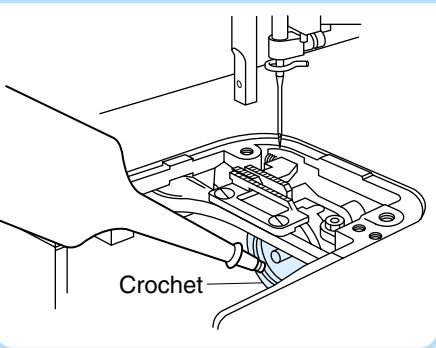
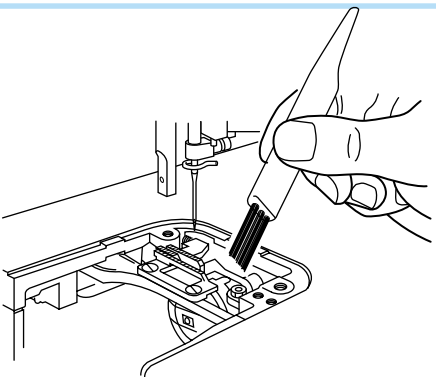
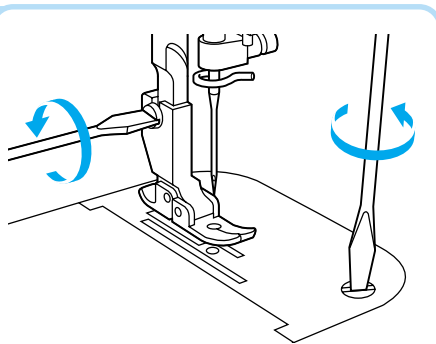
# Entretien de la machine à coudre

## Nettoyage de la machine

### ▲ Remarque

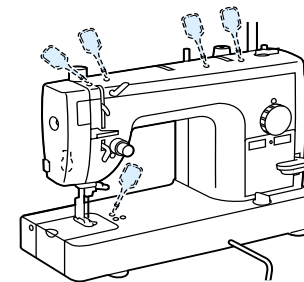
Bien éteindre la machine avant de procéder au nettoyage de la machine à coudre.

- ① Eteindre la machine.
  - ② Retirer le pied-de-biche.
  - ③ Retirer la plaque à aiguille.
  - ④ Enlever la poussière et les restes de fil.
- \* Il est possible d'enlever les restes de fil par le volet de la canette.
- ⑤ Lorsque la section sous la plaque à aiguille est nettoyée, graisser le crochet du boîtier de la canette avec de l'huile de machine à coudre.
  - \* Utiliser un chiffon pour essuyer l'excédent d'huile sur la machine.
  - ⑥ Remettre la plaque à aiguille et le pied-de-biche en place.



## Points de graissage

- Lors d'un usage journalier de la machine, appliquer quelques gouttes d'huile à chaque emplacement indiqué, deux fois par mois.
- \* Utiliser un chiffon pour essuyer toute l'huile renversée sur la machine aux alentours des points de graissage.

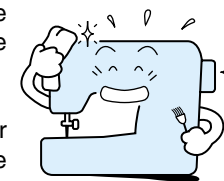


### ■ Maintenir la machine à coudre constamment propre

Enlever la saleté légère et la poussière avec un chiffon doux et sec. Si la machine est très sale, l'essuyer avec un chiffon trempé dans de l'eau tiède, ou de l'eau tiède contenant un détergent neutre. Puis, enlever tout reste de détergent et essuyer avec un chiffon sec.

### ■ Précautions

Eloigner la machine à coudre des sources de chaleur telles que fer à repasser et appareil de chauffage. Ne pas utiliser de produits chimiques tels que benzine ou diluant pour nettoyer la machine. Quand on ne se sert pas de la machine, la ranger à l'abri des rayons du soleil.

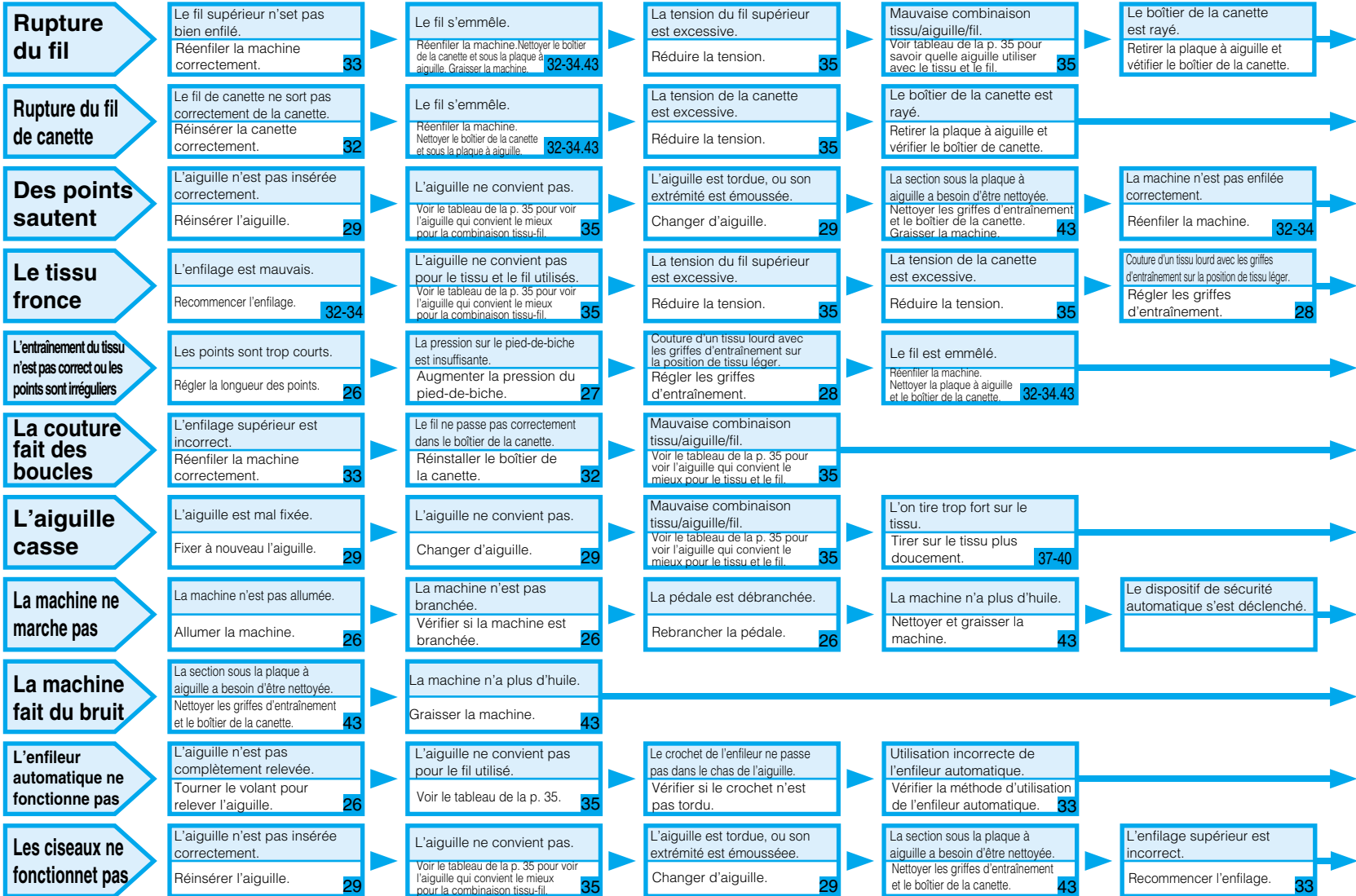


Élément	Spécification	Élément	Spécification
Vitesse de couture (maximum)	1.500 points par minute	Hauteur des griffes d'entraînement	0,7 mm 1,1 mm
Longueur de points (pas)	0 – 7 mm	Hauteur d'aiguille inférieure	3 mm – 3,5 mm
Course de l'aiguille	34,1 mm	Aiguilles qu'il est possible d'utiliser	HLX5#9 – #18 SCHMETZ 130/705H #65 – #110
Course du levier de relevage du fil	64,7 mm	Dimensions du lit	439 mm × 178 mm
Hauteur du pied-de-biche	Levage du pied-de-biche Un 6 mm Deux 9 mm Commande au genou Plus de 10 mm	Poids total	11 kg
		Lampe de couture	Modèle 120V: 120V/15W Code de pièces: X53061-050 Modèle 220-240V: 240V/15W Code de pièces: 205336-050
		Surface de couture	595 mm × 285 mm



# Dépannage

\* Avant de porter la machine à coudre à réparer, vérifier le tableau suivant.



● Si l'on ne parvient pas à trouver la cause du problème, apporter la machine au magasin où elle a été achetée ou au service technique Brother le plus proche.



