

# Operation Manual

## Sewing machine

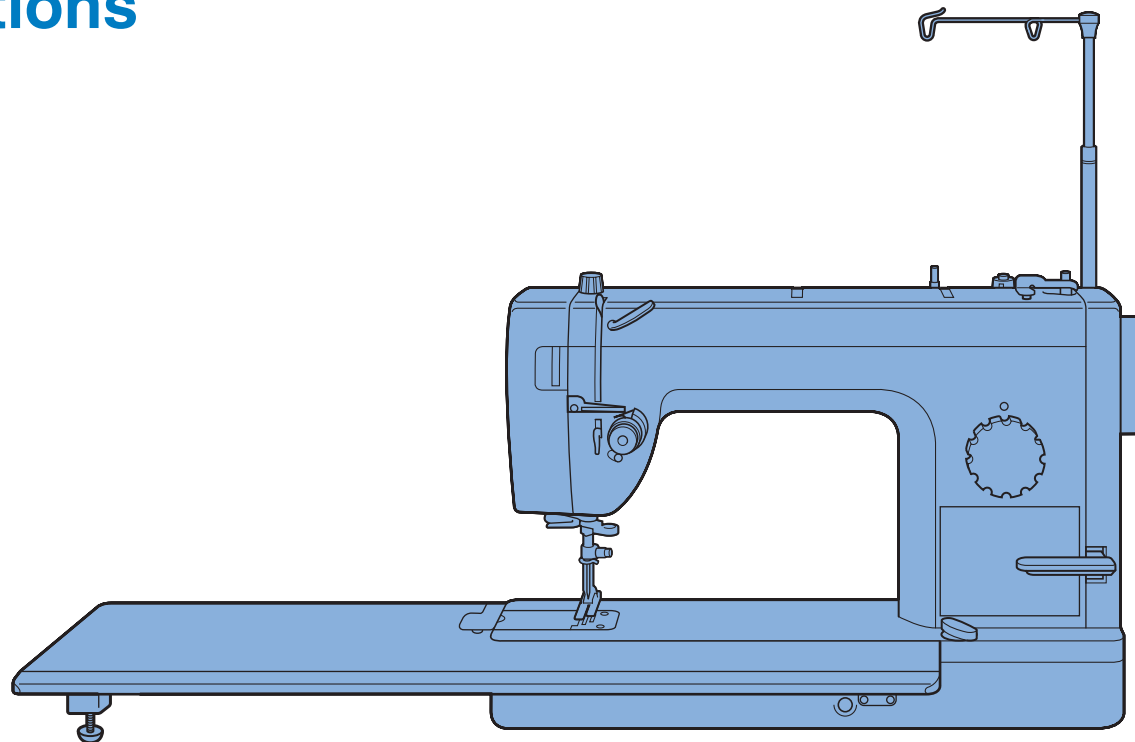
Product Code: 884-639

# Manuel d'instructions

## Machine à coudre

Référence du produit: 884-639

**brother**®



Be sure to read this document before using the machine.

We recommend that you keep this document nearby for future reference.

---

Veillez à lire ce document avant d'utiliser la machine.

Nous vous conseillons de conserver ce document à portée de la main pour vous y référer ultérieurement.



# IMPORTANT SAFETY INSTRUCTIONS

Read all instructions before using.

When using a sewing machine, basic safety precautions should always be taken, including the following:

## **DANGER** – To reduce the risk of electric shock:

- The sewing machine should never be left unattended while plugged in. Always unplug the sewing machine from the electrical outlet immediately after using and before cleaning.
- Always unplug before changing the light bulb. Replace bulb with same type rated 120V 15 watts for 120V model or rated 240V 15 watts for 220-240V model.

## **WARNING** – To reduce the risk of burns, fire, electric shock, or injury:

- Do not allow this sewing machine to be used as a toy. Close attention is necessary when the sewing machine is used by or near children.
- Use this sewing machine only for its intended use as described in this manual. Use only accessories recommended by the manufacturer as contained in this manual.
- Never operate this sewing machine if it has a damaged cord or plug, if it is not working properly, if it has been dropped or damaged, or dropped into water. Return the sewing machine to the nearest authorized dealer or service center for examination, repair, electrical or mechanical adjustment.
- Never operate the sewing machine with any air openings blocked. Keep ventilation openings of the sewing machine and foot control free from the accumulation of lint, dust, and loose cloth.
- Never drop or insert any object into any opening.
- Do not use outdoors.
- Do not operate where aerosol (spray) products are being used or where oxygen is being administered.
- To disconnect, turn the main switch to the symbol “O” position which represents off, then remove plug from outlet.
- Do not unplug by pulling on cord. To unplug, grasp the plug, not the cord.
- Keep fingers away from all moving parts. Special care is required around the sewing machine needle.
- Always use the proper needle plate. The wrong plate can cause the needle to break.
- Do not use bent needles.
- Do not pull or push fabric while stitching. It may deflect the needle causing it to break.
- Turn off power to the machine by flipping the ON/OFF switch to the symbol “O” before making any adjustments in the needle area, such as threading the needle, changing the needle, threading the bobbin or changing the presser foot etc.
- Always unplug the sewing machine from the electrical outlet when removing covers, lubricating, or when making any other user servicing adjustments mentioned in the instruction manual.
- This sewing machine is not intended for use by young children or infirm persons without supervision.
- Young children should be supervised to ensure that they do not play with this sewing machine.

## **CAUTION**

For U.S.A. only

This appliance has a polarized plug (one blade wider than the other) to reduce the risk of electric shock, this plug is intended to fit in a polarized outlet only one way. If the plug does not fit fully in the outlet, reverse the plug. If it still does not fit, contact a qualified electrician to install the proper outlet. Do not modify the plug in any way.


# SAVE THESE INSTRUCTIONS

**This sewing machine is intended for household use.**

This appliance is not intended for use by persons (including children) with reduced physical, sensory or mental capabilities, or lack of experience and knowledge, unless they have been given supervision or instruction concerning use of the appliance by a person responsible for their safety. Children should be supervised to ensure that they do not play with the appliance.

**FOR USERS IN THE UK, EIRE, MALTA  
AND CYPRUS ONLY**

## IMPORTANT

- In the event of replacing the plug fuse, use a fuse approved by ASTA to BS 1362, i.e. carrying the  mark, rating as marked on plug.
- Always replace the fuse cover. Never use plugs with the fuse cover omitted.
- If the available electrical outlet is not suitable for the plug supplied with this equipment, you should contact your authorized dealer to obtain the correct lead.

# CONGRATULATIONS ON CHOOSING A BROTHER SEWING MACHINE

Your machine is one of the finest sewing machines available for home use.  
To fully enjoy all the features incorporated into it, we suggest that you study this booklet.

## PLEASE READ BEFORE USING YOUR SEWING MACHINE

### For safe operation

- Be sure to watch the placement of your hands in relation to the needle while sewing. Do not touch moving parts such as the balance wheel, thread take-up or needle while the machine is operating.
- Remember to turn off the power switch and unplug the cord when:
  - Operation is completed
  - Replacing or removing the needle or any other parts
  - A power failure occurs during use
  - Maintaining the machine
  - Leaving the machine unattended
- Do not place anything on the foot controller.
- Plug the machine directly into the wall outlet. Do not use extension cords.

### For a longer service life

- When storing your sewing machine, avoid direct sunlight and high humidity locations. Do not store the sewing machine beside a space heater, iron, or other hot objects.
- Use only neutral soaps or detergents to clean the case. Benzene, thinner, and scouring powders can damage the case and machine, and should never be used.
- Do not drop or hit the machine.
- Always consult the operation manual when replacing any accessories, including: the presser feet, needle or other parts to assure correct installation.

### For repair or adjustment

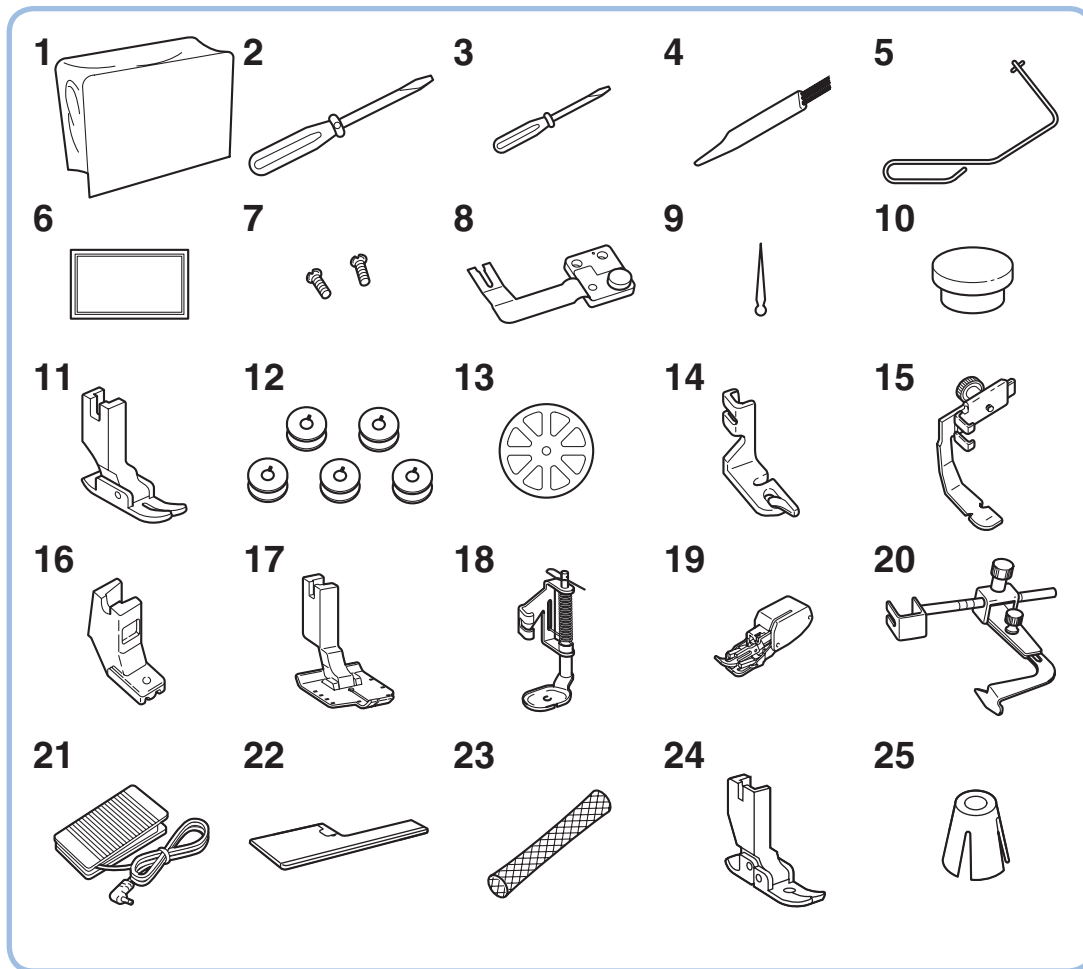
In the event that a malfunction occurs or adjustment is required, first follow the troubleshooting table in the back of the operation manual to inspect and adjust the machine yourself. If the problem persists, please consult your nearest authorized Brother service center.

To find out the name and phone number for your authorized Brother service center visit [www.brother.com](http://www.brother.com) and use our convenient dealer locator.

# CONTENTS

<b>Accessories</b> .....	5	Thread Tension.....	16
<b>Machine Features</b> .....	6	<b>Changing Presser Feet</b> .....	17
<b>Before You Begin (1)</b> .....	7	Changing Presser Feet (Zipper Foot).....	17
Power Cord and Foot Controller.....	7	Presser Feet.....	17
Power Switch.....	7	<b>Basic Sewing (1)</b> .....	18
Thread Tension Dial.....	7	Basic Sewing.....	18
Hand Wheel.....	7	Pin Feeding (for hard-to-handle fabrics).....	18
Stitch Length Regulator.....	7	Pin Feeding Mechanism.....	18
Reverse Stitch Lever .....	7	<b>Basic Sewing (2)</b> .....	19
Presser Foot Lift Lever .....	8	Rolled Hem Foot .....	19
Knee Lift.....	8	<b>Basic Sewing (3)</b> .....	20
Presser Foot Pressure Adjustment Dial .....	8	Zipper Foot .....	20
Fabric Extension Table .....	8	Invisible Zipper Foot .....	21
<b>Before You Begin (2)</b> .....	9	1/4" Foot .....	21
Thread Cutter Button.....	9	Quilting Foot .....	22
Needle Stop Position Button.....	9	Walking Foot.....	22
Light Switch .....	9	Fabric Separator (for joining lining to fabric) .....	23
Feed Dog Adjustment Knob .....	9	Seam Guide .....	23
<b>Changing Needles and Light Bulb</b> .....	10	<b>Caring for Your Machine</b> .....	24
Changing the Needle.....	10	Cleaning the Machine.....	24
Changing the Feed Pin.....	10	Lubrication Points.....	24
Changing Light Bulbs .....	10	<b>Trouble Shooting</b> .....	25
<b>Threading (1)</b> .....	11		
Bobbin Winding .....	11		
Bobbin Insertion .....	13		
<b>Threading (2)</b> .....	14		
Upper Threading.....	14		
Using the Automatic Needle Threader .....	15		
Using the Spool Net .....	15		
<b>Stitch Samples and Needle Chart</b> .....	16		
Stitch Samples .....	16		

# Accessories



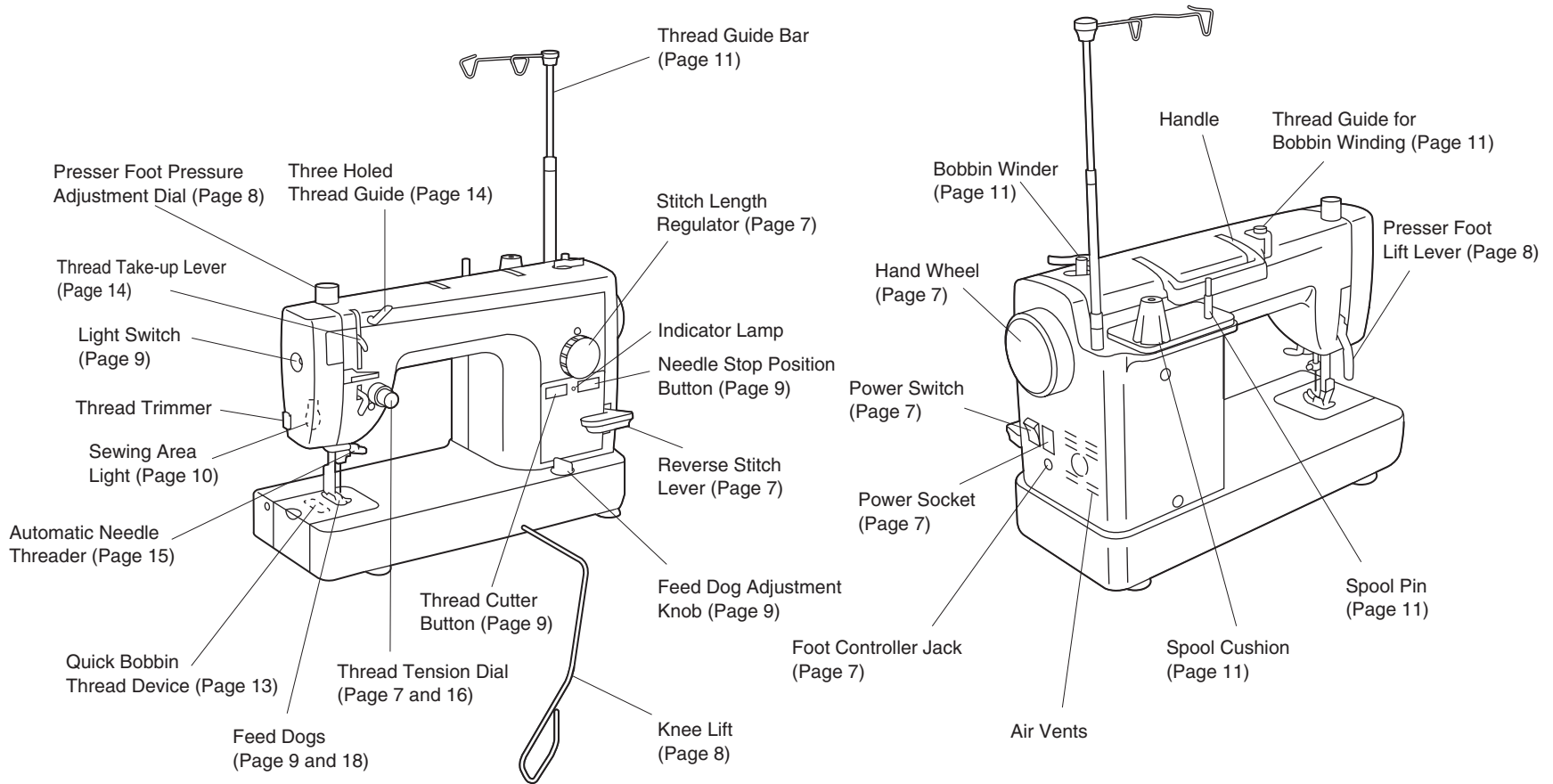
## Note (For U.S.A. only)

Foot controller: Model T

This foot controller is used for sewing machine model DZ1500F.

No.	Part Name	Part Code
1	Cover	XA0917-054
2	Medium Screwdriver	XC9541-051
3	Small Screwdriver	X55468-051
4	Cleaning Brush	X59476-051
5	Knee Lift	XA0830-051
6	Needles and Case (ORGAN HLX5) 1 Size 9, 2 Size 11, 1 Size 14, 1 Size 16, 1 Ballpoint Needle	X80805-151
7	Lining Plate Screw (2)	062670-817
8	Fabric Separator	184720-001
9	Feed Pin	138483-051
10	Feed Pin Changer	XC1407-051
11	General Purpose Foot	XA1425-001
12	Bobbin (5)	SA159 (Americas) MBN: XA8284-202(Others)
13	Spool Cap	XA2111-050
14	Rolled Hem Foot	X57138-101
15	Zipper Foot	112797-001
16	Invisible Zipper Foot	XC0093-001
17	1/4" Foot	XA7258-001
18	Quilting Foot	XA7255-301
19	Walking Foot	XA7253-001
20	Seam Guide	XA7256-001
21	Foot Controller	XD0501-151 (EU area) XC8816-051 (Other areas)
22	Fabric Extension Table	XC3117-051
23	Spool Net	XA5523-050
24	Pin Feed Foot (on machine)	136021-001
25	Spool Cushion (on machine)	XF2071-001

# Machine Features





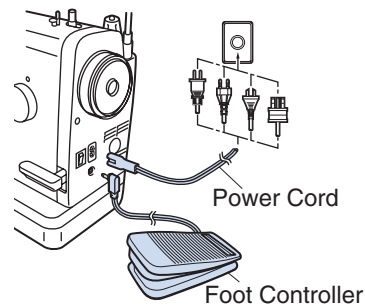
# Before You Begin (1)

## Power Cord and Foot Controller

### ⚠️ WARNING

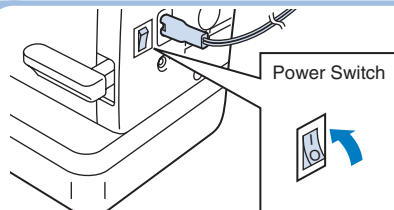
Please use common household current.

- Plug in cord.
- Plug foot controller into machine.
- When you press the foot controller down lightly, the machine will run at a low speed. When you press harder, the machine's speed will increase. When you take your foot off the foot controller, the machine will stop.



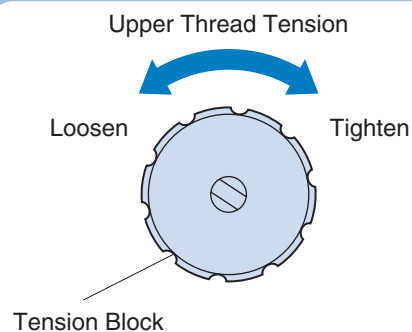
## Power Switch

- Flip power switch to "I" position to turn on.
- To switch power off, flip switch to "O" position.



## Thread Tension Dial

- When tighter thread tension is desired, turn the tension dial to the right. Upper and bobbin threads will meet on right side of the fabric.
- When looser thread tension is desired, turn tension dial to the left. Upper and lower threads will then meet on wrong side of fabric.

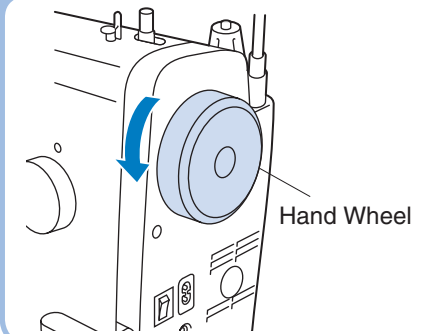


## Hand Wheel

- Position needle using hand wheel.
- \* Always turn hand wheel towards you.

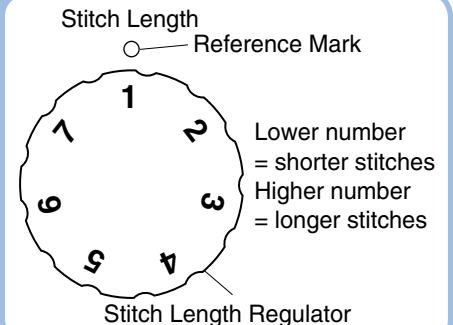
### ⚠️ CAUTION

Be sure to keep the area under and around the needle clear.



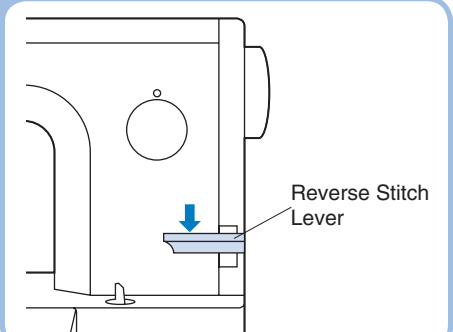
## Stitch Length Regulator

- Adjust desired stitch length using stitch regulator dial.



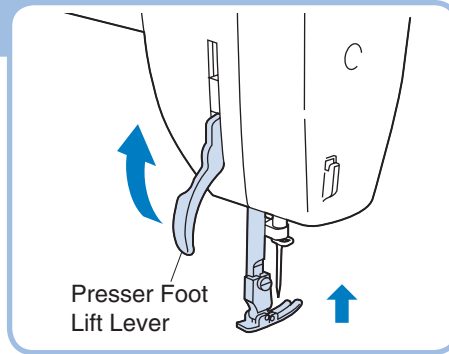
## Reverse Stitch Lever

- Sewing in reverse is possible when the reverse stitch lever is in the lowered position.
- \* Make sure to continuously press the lever to its lowest position when reverse sewing is desired.
- \* When the feed adjustment dial is set between 5-7 mm, the reverse stitch length is always 5 mm.



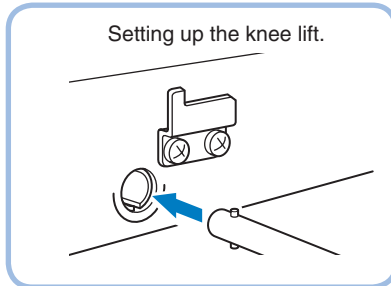
## Presser Foot Lift Lever

- Lowering the presser foot lift lever lowers the sewing foot down onto the fabric and engages the thread tension function.
- \* When working with heavy fabrics or other fabrics that don't slide easily under the foot, raise the presser foot lever to position the fabric.

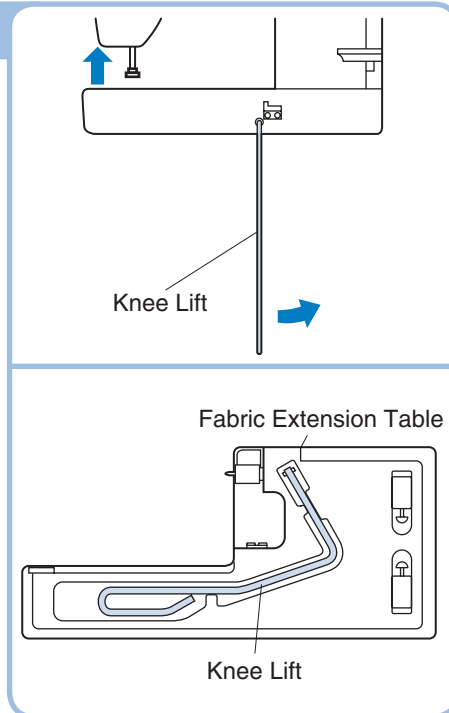


## Knee Lift

- Using the convenient knee lift to lift and lower the presser foot easily, leaving both your hands free.



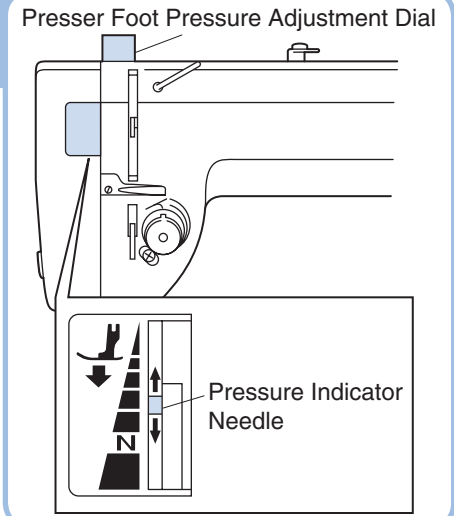
- \* Push the knee lift bar all the way into the socket.
- \* When knee lift is not in use, it can be stored beneath the fabric extension table.



## Presser Foot Pressure Adjustment Dial

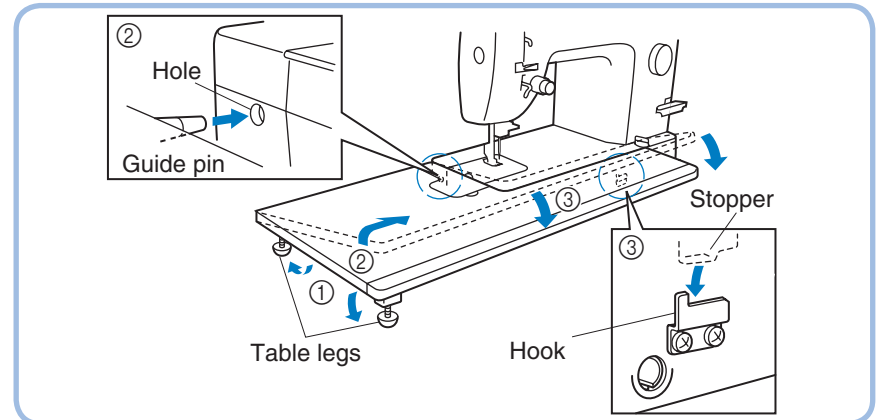
- Turning the pressure adjustment dial raises and lowers the pressure indicator needle as the amount of pressure on the presser foot changes. See also: "Feed Dog Adjustment Knob" on page 9.

- \* See "Thread Tension" on page 16.



## Fabric Extension Table

- Lower the adjustable table feet and slide the fabric extension table on to the machine.



# Before You Begin (2)

## Thread Cutter Button

### ⚠ CAUTION

When the machine stops due to jammed threads and so forth, do not step on the foot controller, turn the power off, and moving the needle with the hand wheel, check the situation.

- The thread cutter trims upper and bobbin threads at the end of seams.



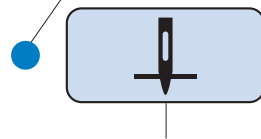
Thread Cutter Button

- \* Press with the presser lever down.

## Needle Stop Position Button

- When indicator lamp is lit up, the machine will stop sewing with the needle lowered through the fabric.
- When indicator lamp is off, the needle position when sewing stops, will be random.
- If the safety mechanism is activated, for example if the thread becomes tangled, the red lamp flashes.

Indicator Lamp

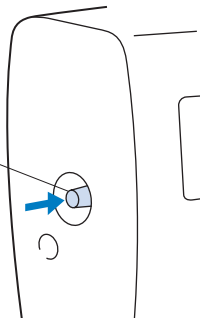


Needle Stop Position Button

## Light Switch

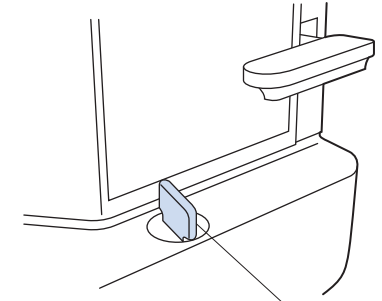
- Push light switch to turn the light over the sewing area on and off.

Light Switch



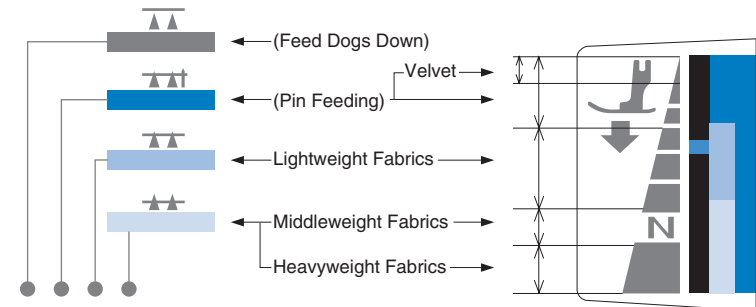
## Feed Dog Adjustment Knob

- Height of feed dogs can be adjusted to coincide with fabric weights.



Feed Dog Adjustment Knob

## Foot Pressure and Feed Dog Position



Select one of four feed dog positions according to your needs.

### Note

If a setting other than **▲▲▲** is selected, the pin feed mechanism will not operate.

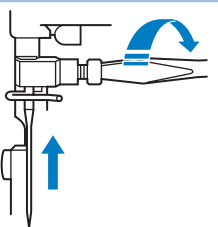
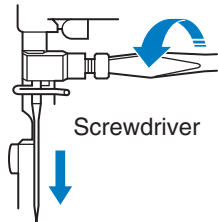
# Changing Needles and Light Bulb

## ⚠ CAUTION

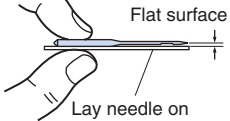
Please make sure the power to the machine is turned off before carrying out the following operations. There is a chance of injury if the machine accidentally starts running during this operation.

### Changing the Needle

- 1 Turn the sewing machine off. Raise needle to highest position using hand wheel, and lower presser foot.
- 2 Loosen screw with screwdriver, and remove needle.
- 3 Hold the needle with the flat side to the right, and insert the needle as far as it will go. Make sure needle is securely set in the needle chamber by screwing in tightly.



The needle should lay parallel to a surface.



(such as the needle plate or a plate of glass).

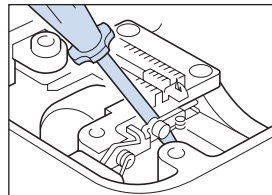
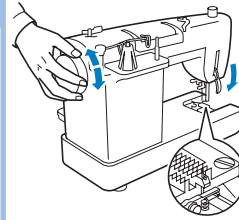
- \* If the needle is not adequately inserted or the screw is loose, this may break the needle or cause a breakdown and the needle threader will not work.
- \* Check needles on a flat surface to make sure they are not bent.

### Note

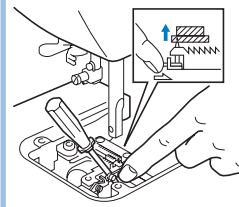
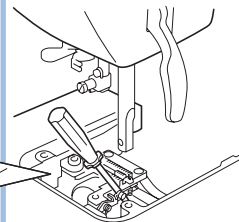
HLX5 needles should be used; however, Schmetz 130/705H may also be used under normal circumstances.

### Changing the Feed Pin

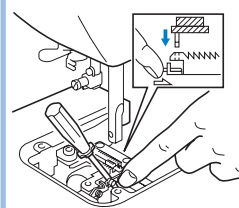
- 1 Set the feed dogs to "velvet" position. (See page 9.)
- 2 Remove needle, presser foot and needle plate.
- 3 Lower presser foot and turn hand wheel until feed pin is in its highest position.
- 4 Insert small screwdriver (included) as shown in diagram.



- 5 While holding spring with fingertip, lower the feed pin changer onto the needle to pick it up.



- 6 Attach new feed pin to feed pin changer, lower and attach while holding spring with fingertip.
- 7 Remove screwdriver.
- 8 Re-attach needle plate, needle and presser foot.

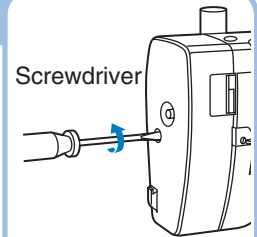


## ⚠ CAUTION

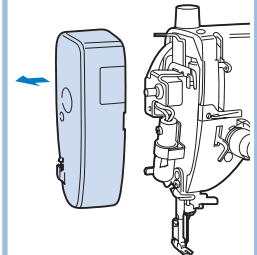
Please make sure the power to the machine is turned off before carrying out the following operations. The glass plate over the light bulb will be hot immediately after using the machine, therefore it is advisable to wait until the light bulb has had a chance to cool down before changing bulbs.

### Changing Light Bulbs

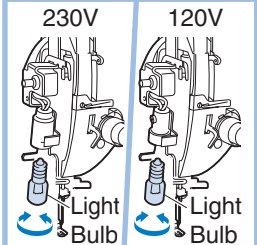
- 1 Turn off power.
- 2 Remove screw from head.



- 3 Remove bulb housing.



- 4 Unscrew bulb and remove.
- 5 Screw in new bulb. Sewing Light: See page 24.
- 6 Re-attach bulb housing and tighten screw.

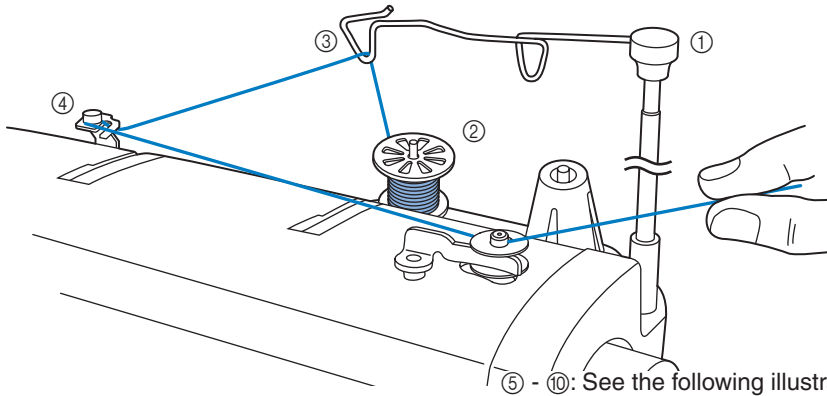


# Threading (1)

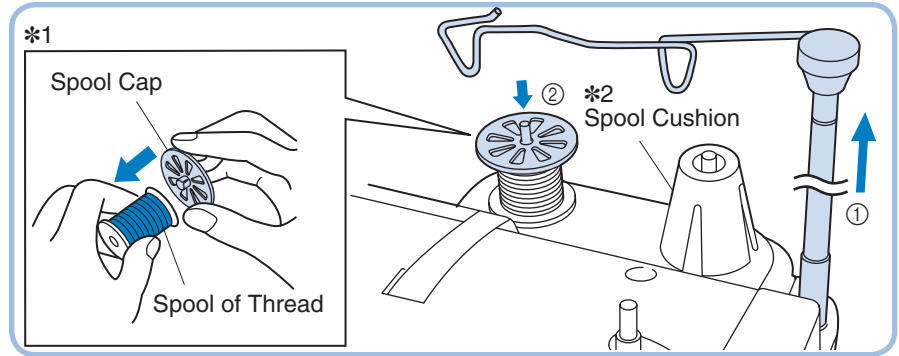
## Bobbin Winding

### ⚠ CAUTION

Do not move bobbin winding clutch while machine is running.

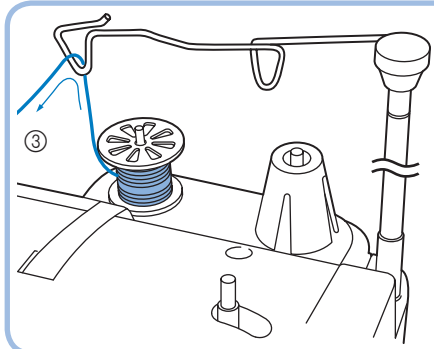


⑤ - ⑩: See the following illustrations.

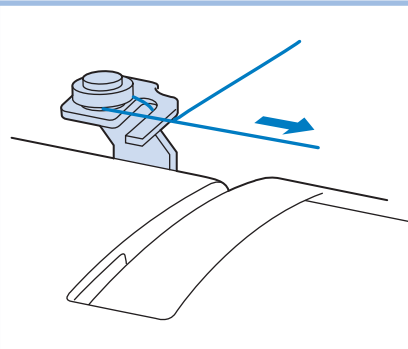


- ① Raise the thread guide bar all the way.
- ② Mount a spool of thread on the spool pin.

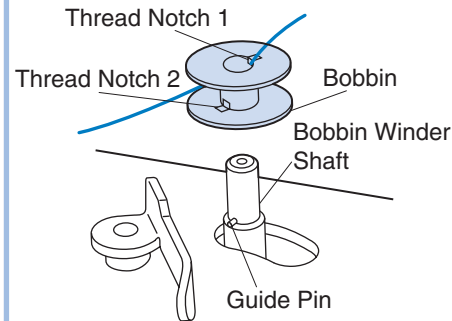
- \*1 Use spool cap when using parallel-wound thread.
- \*2 Use spool cushion when using cross-wound thread.



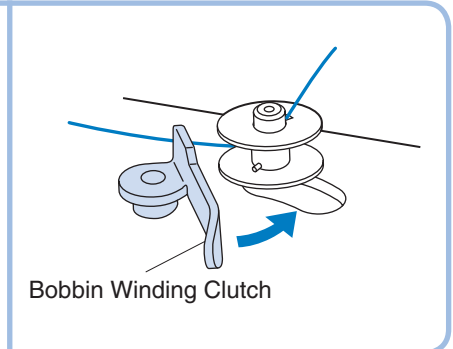
- ③ Pass the thread through the triangular hole.



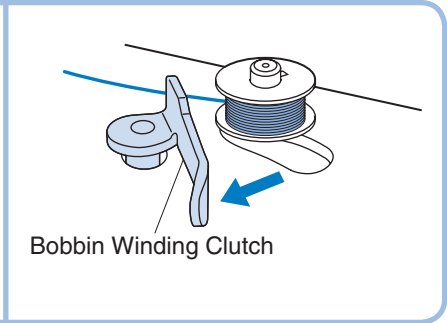
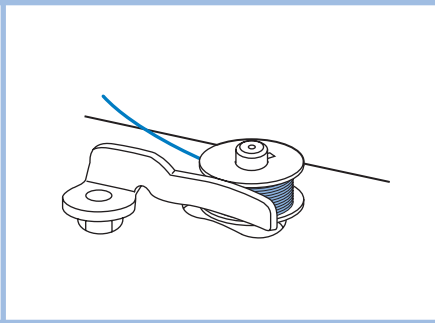
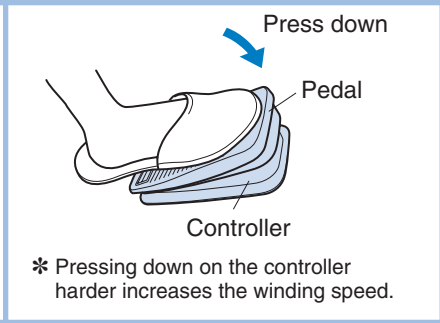
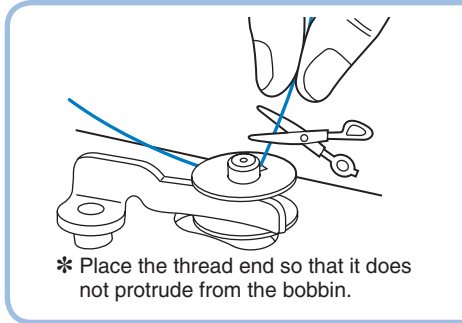
- ④ Pass thread through bobbin winding thread guide as shown in drawing.



- ⑤ Run thread through top thread notch 1, and turning the bobbin align bottom thread notch 2 of the bobbin with guide pin on bobbin winder shaft.



- ⑥ Press bobbin winding clutch up against empty bobbin. If the bobbin stop does not slide easily between the top and bottom of the bobbin, check that the bobbin is seated properly with the guide pin (⑤) inserted into the lower notch.

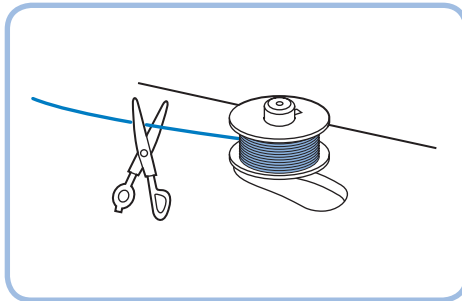


⑦ While holding the end of the thread, step on the foot controller for a few seconds. Once enough thread has wound itself around the bobbin to hold itself in place, release the foot controller and trim the excess thread.

⑧ Start winding the bobbin again by pressing down on the foot controller.

⑨ Stop winding process when bobbin is full. Take the foot off foot controller.

⑩ Manually move bobbin winding clutch back to original position.

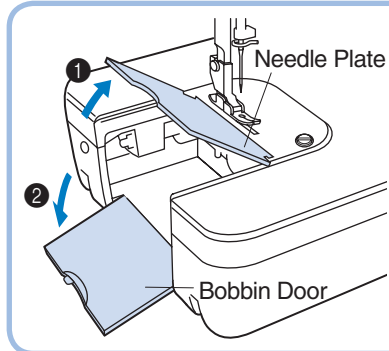


⑪ Cut thread and remove bobbin.

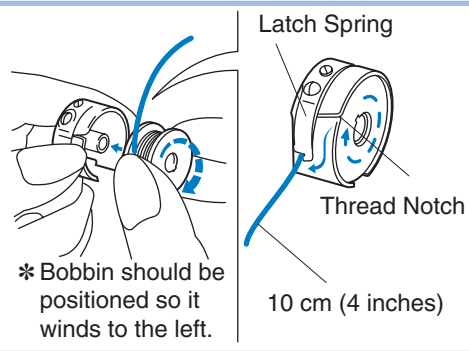
## Bobbin Insertion

# ! CAUTION – Moving parts –

To reduce risk of injury, turn the power to the machine off before servicing. Open covers.



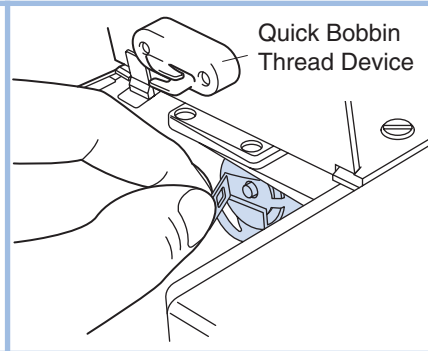
- ① Lift needle plate and open bobbin door.



\* Bobbin should be positioned so it winds to the left.

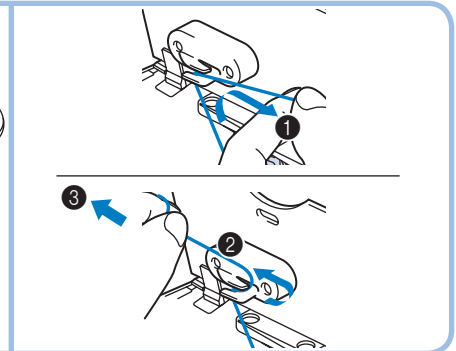
- ② Put bobbin into the bobbin case.

- \* Run thread through thread notch and under latch spring, so that a length of thread is exposed.
- \* Always use the bobbin case that was supplied with this machine. A secondary bobbin case can be ordered from your dealer.



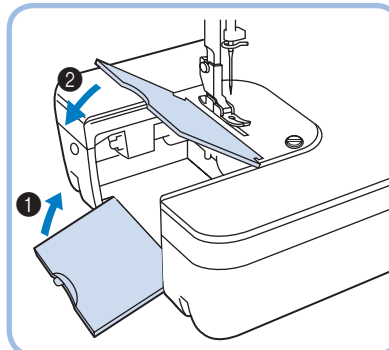
- ③ Pull the latch lever of the bobbin case out and push the bobbin case into the shuttle race and release the latch lever.

- \* If the latch lever is not set securely on the hook, it may fly off during sewing and cause lower thread breakage. Rotate the hand wheel one full rotation towards you to check that the bobbin case is set securely.



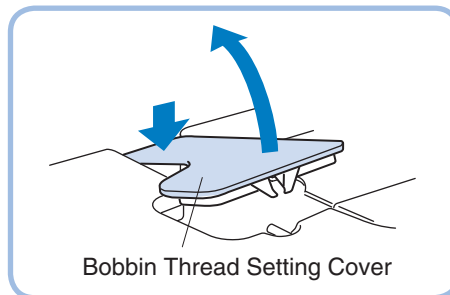
- ④ Pass the thread through the quick bobbin thread device in the order ① ②, pull in the direction of the arrow ③, then cut the thread.

★ **Quick Bobbin Thread Device**  
This device cuts the bobbin thread end to an appropriate length after the bobbin has been replaced and holds it at that length. Following this process eliminates the need to manually pull the bobbin thread through the hole in the needle plate. Simply close the bobbin case and continue the upper threading process.



- ⑤ Lower slide plate and close bobbin door, following numbers ① ② above in order.

### ● When the fabric extension table is set in place



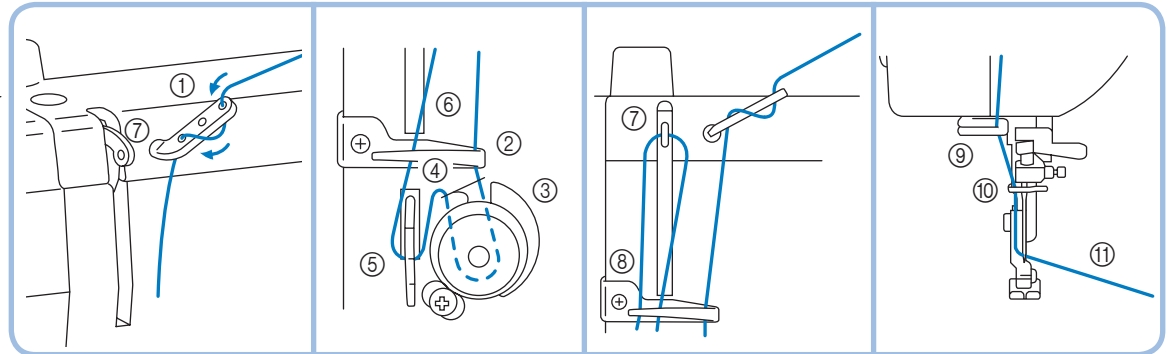
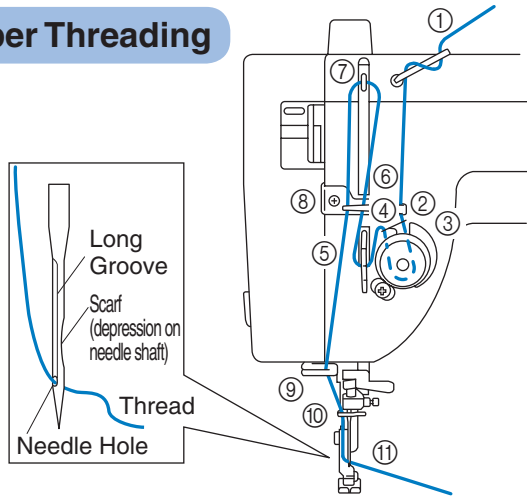
Open the bobbin thread setting cover beforehand, then following the above directions set the bobbin thread in place. (You can set the bobbin thread in place without removing the fabric extension table.)

# Threading (2)

## ⚠ CAUTION

Please turn off the power to the machine before using the automatic needle threader. Accidentally stepping on the foot controller during this operation could cause bodily injury or damage to the machine.

### Upper Threading

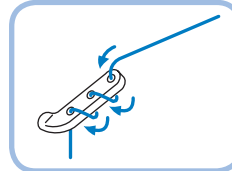


- Make sure thread take-up lever (7) is in highest position and presser foot is up.
- \* When using polyester thread or thread that tangles or breaks, run the thread through all three holes of the thread guide.

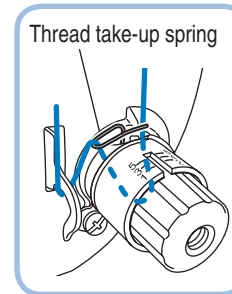
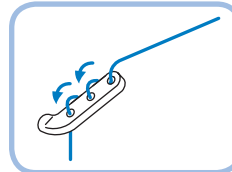
- \* Thread tension may not be adjusted adequately unless the thread runs correctly through the take-up spring.

## ⚠ CAUTION

Turn off the power to the machine before using the automatic needle threader. Otherwise, it may cause injuries when you unintentionally press down on the foot controller.

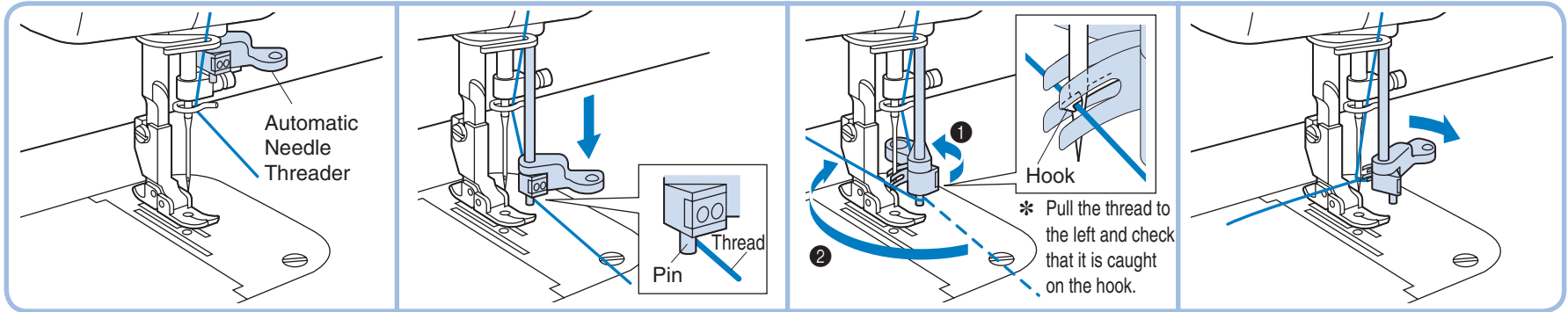


- \* If the thread is still tangles or breaks, run the thread through the holes backwards as shown in diagram.

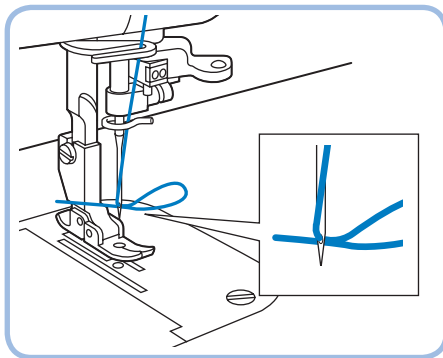




## Using the Automatic Needle Threader



- ① Rotate hand wheel towards you until needle is in the highest position, and lower presser foot.
- ② Take thread in your left hand, and gently pull it forward.
- ③ Lower automatic needle threader.
  - \* Pull thread along the right side of the pin.
  - \* Do not force the needle threader lower than the eye of the needle. Be sure that the needle is in the highest position.
- ④ Turn the needle threader lever all the way in the direction of ① and when the hook extends from the needle hole, pull the thread in the direction of ② to catch it on the hook.
- ⑤ While holding the thread gently, return the needle threader lever to the right. As you do this the hook that has caught the thread will move as well, pulling a loop of thread through the eye of the needle.

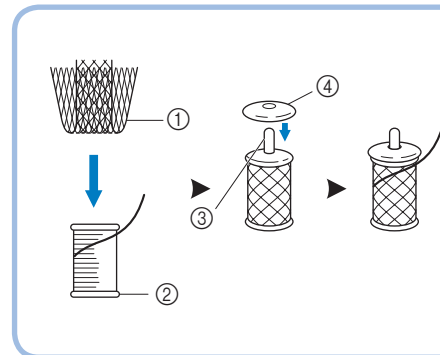


- ⑥ Before sewing, pull the thread loop to the right and then pull the thread tail towards the back of the machine following the opening in the presser foot.

Needle (HLX5)	Thread
#9	#20 #30 #50 #60
#11	#20 #30
#14	#20 #30
#16	#20

- The automatic needle-threader cannot be used with the thread-needle combinations illustrated in the chart shown above. Transparent nylon thread can be used regardless of the chart, providing the needle used is a #14 or #16.

## Using the Spool Net



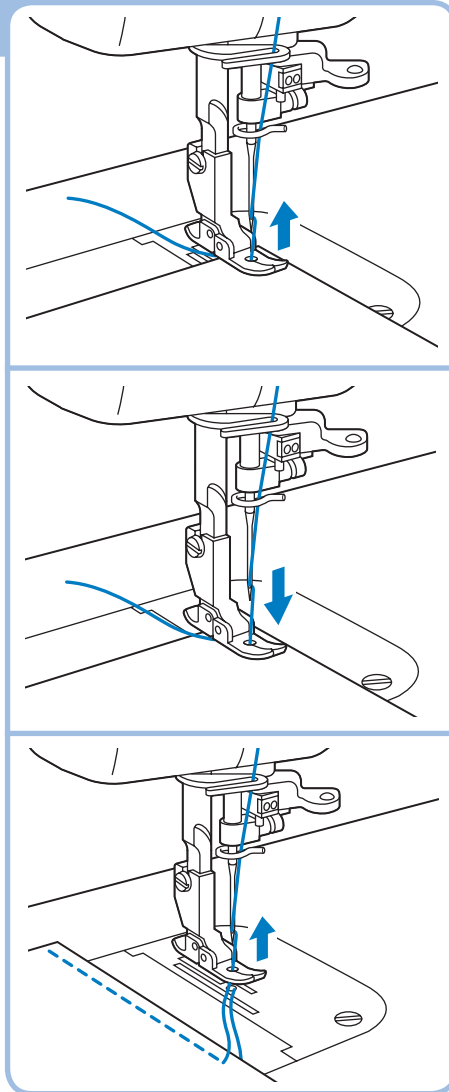
If using transparent nylon thread, metallic thread, or other strong thread, place the included spool net over the spool before using. If the spool net is too long, fold it once to match it to the spool size before placing it over the spool.

- ① Spool net
- ② Thread spool
- ③ Spool pin
- ④ Spool cap

# Stitch Samples and Needle Chart

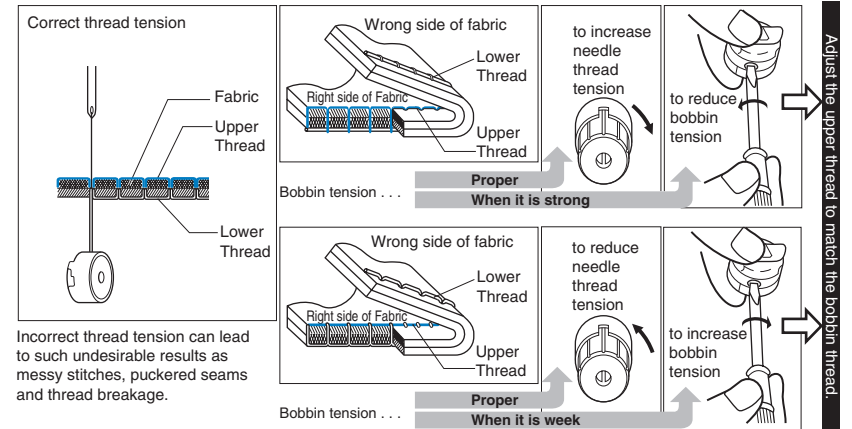
## Stitch Samples

- ① Set stitch length regulator to desired stitch length.
  - ② Make sure approximately 15 cm of upper thread is pulled out and laying behind presser foot. While needle is in raised position, insert a test strip from the garment fabric under the foot.
  - ③ Lower presser foot.
  - ④ Turn the hand wheel forward to lower the needle through the fabric, then step gently on the foot controller to begin.
  - ⑤ Turn the hand wheel towards you to raise the needle and thread take-up lever to their highest positions.
  - ⑥ Lift presser foot, remove fabric and then manually cut the thread with the cutter on the left side of the head of the machine or with a pair of scissors.
- \* When using thread cutter:
- ⑤ Press the thread cutter button while the presser foot lever in the down position.
  - ⑥ Lift foot and remove fabric.



## Thread Tension

- \* Bobbin thread should feed smoothly. Adjust bobbin thread to match that of upper thread. (If bobbin thread is too tight it may cause fabric to bunch up.)



- **Selecting the proper needle for use with the fabric and thread you are working with**  
 \* The following chart applies to many different fabric, thread and needle combinations.

	Fabric - Thread - Needles			HLX5	Schmetz 130/705H
	Cloth	Thread	Needle (HLX5)		
Specialty fabrics	Velvet	Silk, Polyester #30 – #50	#11 – #14	#9	#65
	Quilt	Polyester #20 – #50	#11 – #16	#11	#75
	Synthetic Suede	Polyester #20 – #50		#14	#90
	Knit	Polyester #20 – #50		#16	#100
	Coating	Polyester #50	#11 – #14	#18	#110
Light weight fabrics	Lawn	Cotton #80	#9		
	Tricot	Polyester #60			
	Silk Georgette	Silk #50			
Middle weight fabrics	Wool Georgette	Silk, Polyester #50	#11		
	Gingham	Cotton #60 – #80	#11 – #14		
	Lightweight Jersey	Polyester #60	#11		
Heavy weight fabrics	Gabardine, Flannel	Silk #50			
	Denim	Cotton #20 – #50	#14 – #18		
	Jersey	Polyester #20 – #50	#11 – #16		
	Tweed	Silk #20 – #50			

- \* HLX5 needles are recommended; however, Schmetz 130/705H needles may also be used under normal sewing conditions.
- \* Adjust the pressure adjustment dial and the feed dog adjustment knob according to the chart on the sewing machine.
- \* When sewing on knit fabrics such as jersey or tricot, use a ballpoint needle or a needle designed for use with knit fabrics.

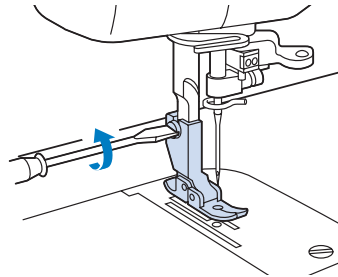
# Changing Presser Feet

## ⚠ CAUTION

Make sure the power to the machine is off before changing presser feet.

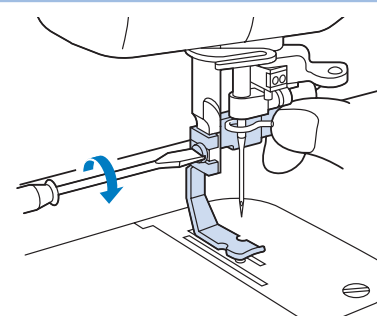
### Changing Presser Feet (Zipper Foot)

- ① Raise presser foot, and raise needle to highest position.
- ② Loosen and remove screw using screwdriver.

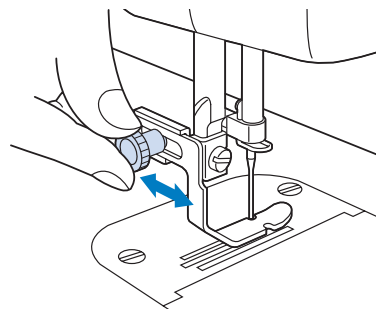


- ③ Attach zipper foot and tighten screw.

- \* Use the same method to attach the other feet that come with your machine.
- \* See page 22 for directions on attaching the “Walking Foot”.



- \* Use the position knob on back of the zipper foot to adjust position of foot in relation to needle.
- \* Only the zipper foot has a position knob. You can begin sewing with all other presser feet immediately after attaching.

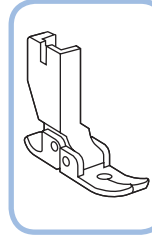


## Presser Feet

\* Use only feet supplied with your machine. Each foot is specially designed for this machine and has clearance for the pin at the rear of each foot. Use of other presser feet may damage or break the pin feed mechanism.

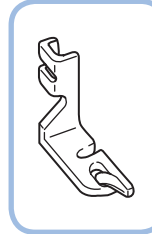
### ● Pin Feed Foot

For perfect stitching on otherwise difficult fabrics like velvet, leather and suede.



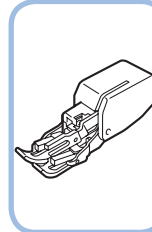
### ● Rolled Hem Foot

Use on the edge of fabric, such as on hems of dress shirts, to fold the edge of the fabric in three while sewing.



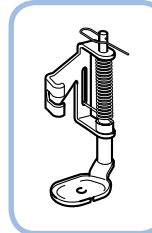
### ● Walking Foot

For sewing or quilting on fabrics which stick or tend to slip. Useful for sewing multiple layers as in quilting.



### ● Quilting Foot

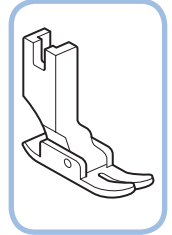
Spring action foot for darning, quilting or free-motion embroidery.



### ● General purpose Foot

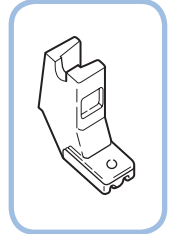
This foot is used for most sewing. (Can also be used for sewing thick fabrics or seams.)

- \* When sewing thick seams, lightly guide the fabric with your hand on the downward side of the seam.
- \* Can also be used with pin feeding.



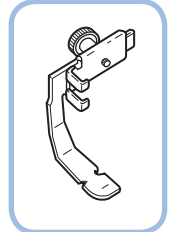
### ● Invisible Zipper Foot

Use to attach concealed fasteners.



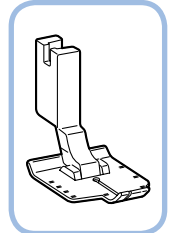
### ● Zipper Foot

Use to attach fasteners other than concealed fasteners. The zipper foot can also be used to secure piping in place as you sew. Use the side of the foot closest to the needle to rest against the edge of the piping as you sew.



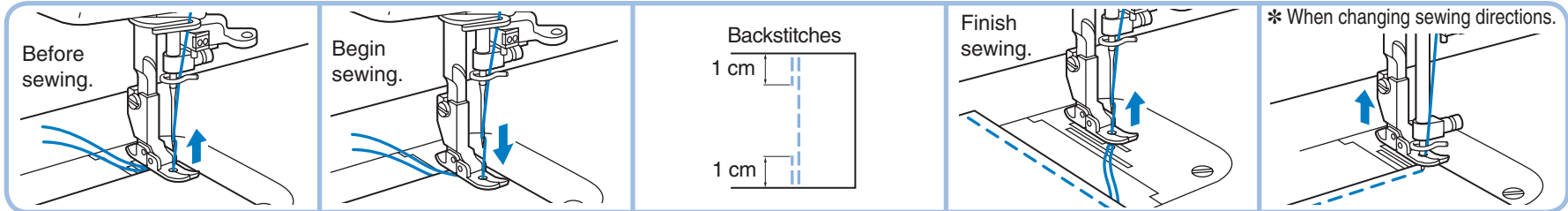
### ● 1/4" Foot

For quilt and patchwork piecing with 1/4" or 1/8" seam allowance.



# Basic Sewing (1)

## Basic Sewing



① Lift foot, pull about 15 cm of upper and bobbin thread under and behind foot, and position fabric under foot.

② Lower presser foot lever to lower foot.  
③ Turn the hand wheel toward you to lower the needle through the fabric, then step gently on the foot controller to begin.

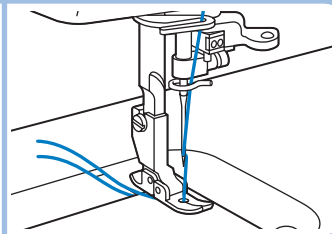
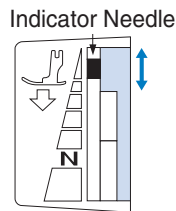
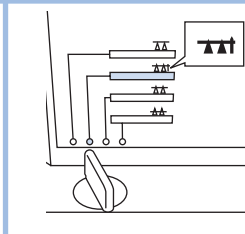
\* At the beginning and end of a seam, press down the reverse stitch lever and backstitch about 1 cm.

④ Raise needle to highest position.  
⑤ Lift foot, remove fabric and cut thread.  
\* When using thread trimmer:  
④ Push thread trimmer button (this will cause the upper and bobbin threads to be cut automatically and the needle to stop in a raised position).  
⑤ Lift presser foot and remove fabric.

\* When changing sewing directions.  
① Make sure needle is pierced all the way through fabric.  
② Lift presser foot, and turn fabric using needle as an axis.  
③ Lower presser foot and continue sewing.

## Pin Feeding (for hard-to-handle fabrics)

Fabric:  
Velvet  
Quilt  
Synthetic  
Suede  
Knit  
Coating  
Others



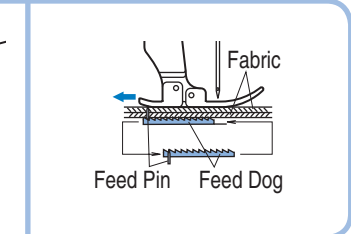
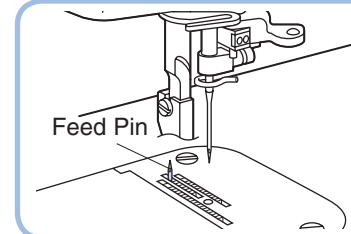
\* The fabrics shown above can be joined evenly by activating the pin feed mechanism.

① Move feed adjustment knob to pin feeding position.

② Adjust pressure adjustment dial until indicator needle is in the right position in the matching color coded area.

③ Gently pull thread until feed pin catches fabric and sew.

## Pin Feeding Mechanism



The feed pin passes up through all layers of fabric moving with the feed dog's motion to feed all layers of the fabric evenly.

\* For safety, the feed pin is automatically lowered when presser foot is raised.

## CAUTION

While the presser foot lever is lowered, the feed pin appears up through the feed dog. Keep your fingers away from the feed pin.

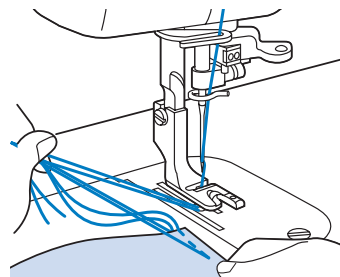
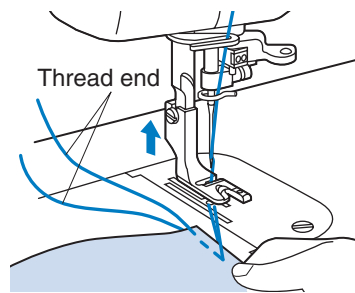
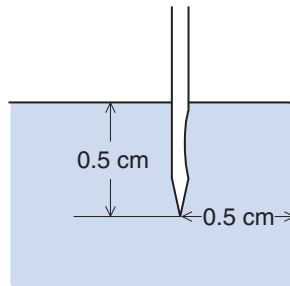
# Basic Sewing (2)

## ⚠ CAUTION

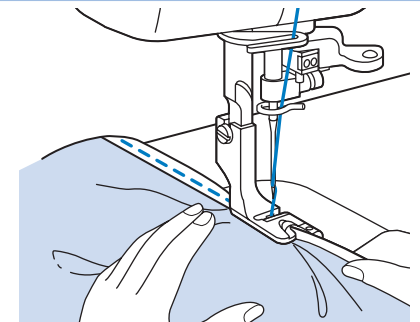
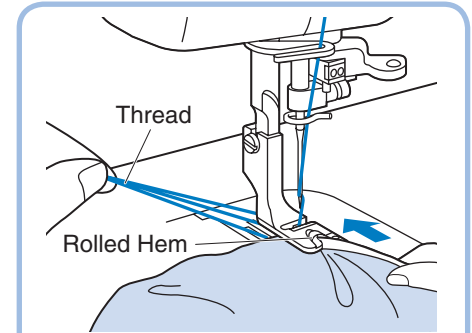
Make sure the power to the machine is off before changing presser feet.

### Rolled Hem Foot

- ① Attach rolled hem foot.
- \* Refer to page 17 for instructions on changing sewing feet.
- ② Position the fabric (reverse side facing up) under the presser foot. Insert needle approximately 0.5 cm from the edge of the fabric and sew 2 stitches.
- ③ Turn the hand wheel towards you to raise the needle, raise the presser foot, then pull the fabric forward.  
\* Be sure not to unthread the fabric while pulling it forward.
- ④ Hold the 4 threads in your left hand.



- ⑤ With your right hand, put the edge of the rolled hem under the presser foot, from the spot where the threads come out. Insert the edge so that it lies directly under the needle. Lower the presser foot.
- ⑥ Pull gently on threads in left hand while sewing the first 3-4 stitches to hold them in place.
- ⑦ Fold hem over about 0.5 cm and continue feeding folded hem under foot while sewing towards the curved guide on the foot.



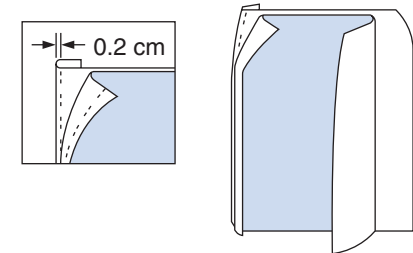
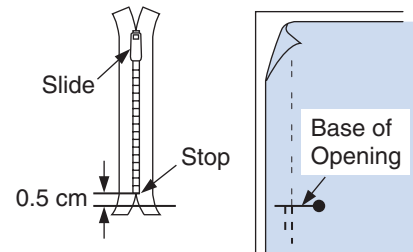
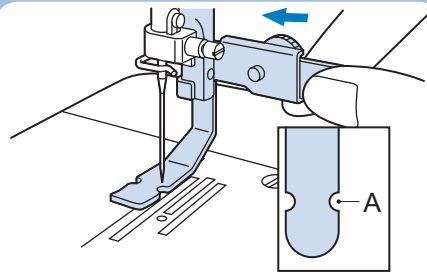
# Basic Sewing (3)

## ⚠ CAUTION

- Make sure the power to the machine is off before changing feet.
- When attaching zippers to stretch fabrics, use the pin feed method and adjust foot pressure accordingly.
- The zipper foot can also be used as a guide when attaching piping to fabric.

## Zipper Foot

- ① Attach zipper foot.
  - \* See “Changing Presser Feet (Zipper Foot)” on page 17.
- ② Turn the hand wheel towards you to lower the needle and adjust the position of the foot relative to the needle using the adjustment screw to slide the foot from left to right.
- ③ Line up zipper to the section of fabric it will be attached to, and mark the base of the opening on the fabric. It should be set approximately 0.5 cm below zip stop. Sew from below the base of the opening.
- ④ Divide the seam margin. Fold the seam margin with the overlap of the zipper position facing down 0.2 cm on the outside of the mark.



- ⑤ Secure the zipper with basting and sew along the mark.

## ⚠ CAUTION

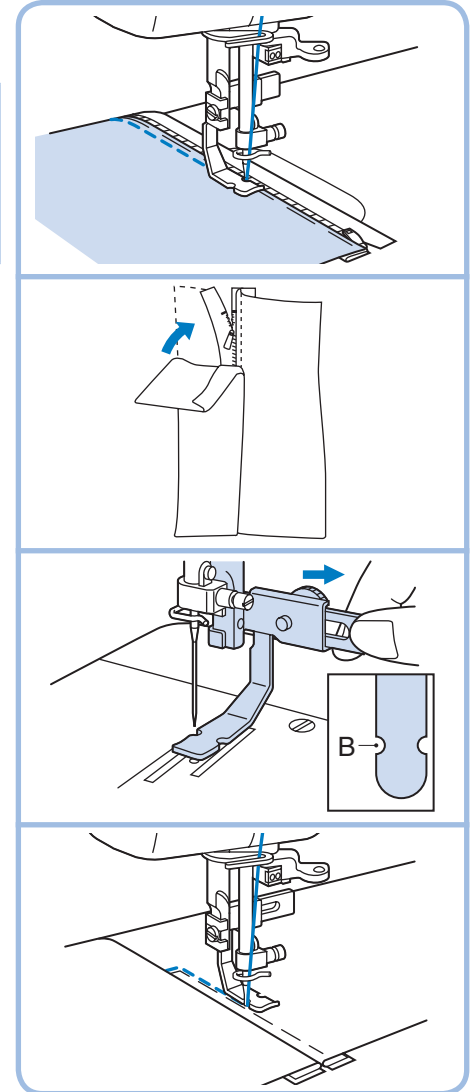
Make sure the needle does not strike the metal part of the zipper when sewing. The needle may break and cause injury.

- ⑥ Line up the folded hem on the opposite side with the stitches.

- ⑦ Change position of zipper foot.
- ⑧ Turn the hand wheel to lower the needle and position the presser foot.

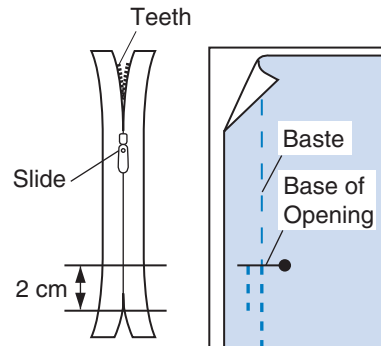
- ⑨ With the fabric right side up, baste the zipper onto the fabric, then sew the edge of the basting.

- \* Reinforce base of opening by sewing over it twice.
- \* If the zipper slide gets in the way, lower the needle all the way through the fabric, lift the foot, and move the slider out of the way.

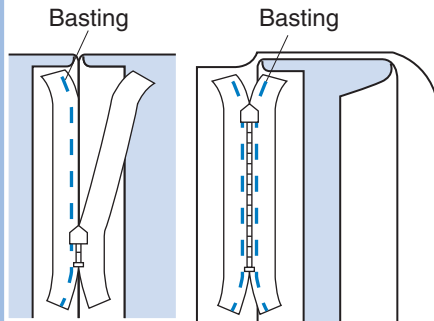


## Invisible Zipper Foot

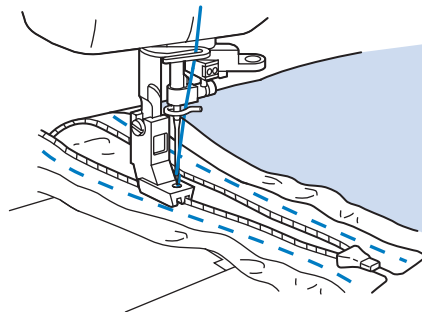
- ① Attach invisible zipper foot.
- ② Align zipper with fabric. Mark the base of the opening approximately 2 cm above the end of the zipper.



- ③ Baste the zipper position.
- ④ Separate the seam allowance.
- ⑤ With the zipper mounted, baste just the seam margin on one side of the zipper.
- ⑥ Close the zipper and baste the other side of the zipper.
- ⑦ Remove the basting at the zipper position.



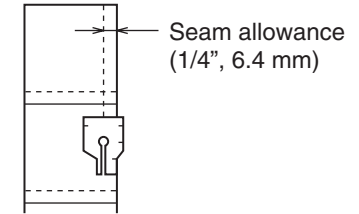
- ⑧ Fit the zipper teeth into the presser foot groove, guide them to prevent them from falling over, and sew to the base of the opening.



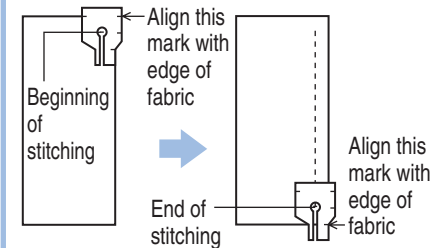
- \* When sewing with the teeth to the right, the left side of the foot should line up with the left teeth of the zipper.

## 1/4" Foot

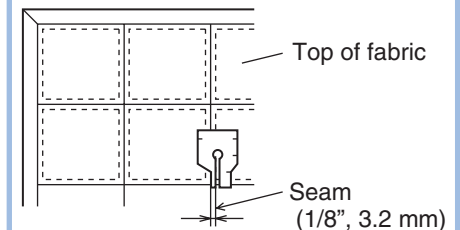
- Sewing machine settings:  
Stitch length = 2 - 2.5 mm
- Sew a consistent seam allowance (1/4", 6.4 mm) when piecing together a quilt.



- Use guides (mark) to begin, end, or pivot 1/4" from edge of fabric.



- Accurately top stitch 1/8" from seam.

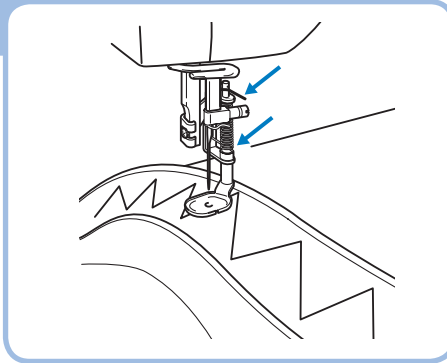


## Quilting Foot

Reduce the foot pressure and turn the dial on the machine lowering the feed dogs for free motion quilting.

### Note

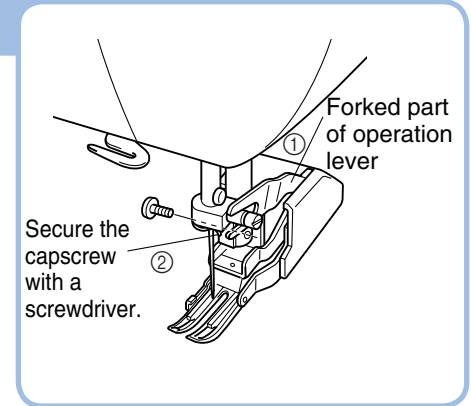
If the foot is frequently used, be sure to apply a small amount of oil about once a month to the area indicated by the arrows. (If too much oil is applied, wipe off the excess with a cloth.)



## Walking Foot

### Note

- Do not press the foot controller all the way down. Try to keep the sewing speed low (500 r.p.m. or less).
- The fabric may not feed if you sew at high speeds.
- The feed dog for feeding the cloth may not move if the foot pressure on the fabric is too strong. Use the presser foot pressure adjustment dial to achieve the desired results.
- It is not advisable or necessary to use the Pin Feed mode with the walking foot.



- ① Insert the forked part of the operation lever while raised in an upright position onto the screw on the right side of the needle bar, as shown and then insert the capscrew.
- ② Tighten the screw securely with a screwdriver. Tightening adequately is important as the screw might loosen due to the foot and forked operation lever vibration.

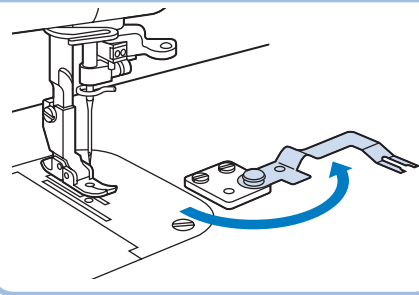
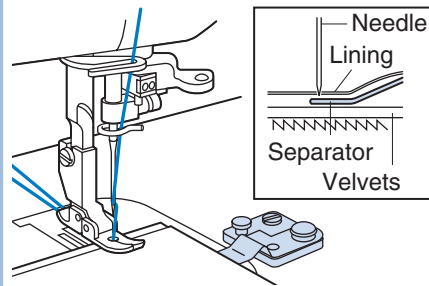
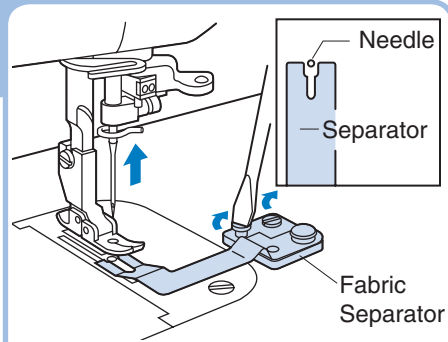


## Fabric Separator (for joining lining to fabric)

\* Use this technique for sewing velvet and lining together.

- ① Raise needle and foot.
  - ② Move separator so it sits under presser foot.
  - ③ Make sure it is lined up so that the needle passes through the slot of the separator without hitting the plate itself.
  - ④ Secure liner plate in place with lining plate screws.
  - ⑤ Set pressure of sewing feet and feed position to pin feeding position.
  - ⑥ Pull thread until lower needle catches fabric.
- \* Sew 2-3 reinforcement stitches.

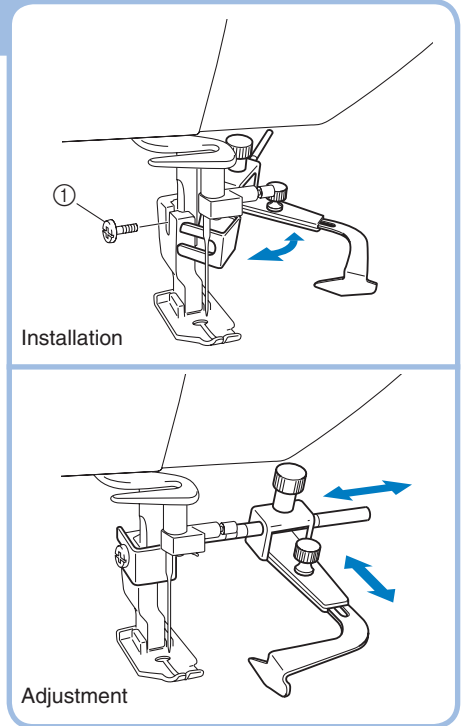
- ⑦ When not using separator, it can be swung off to the side as illustrated in drawing.



## Seam Guide

- ① Tighten the screw securely with a screwdriver since it might otherwise loosen due to vibration.

Turn adjustment screws as arrows images suggest to set the position of the Seam Guide foot.



## Note

- Lighten the presser foot pressure slightly when using the fabric separator.
- Use the separator to neatly sew 2 layers of hard to manage fabrics together by keeping them from interacting with one and other before the needle sews them together in a perfect seam.

# Caring for Your Machine

## Cleaning the Machine

### ⚠ CAUTION

Make sure the power to the machine is off before cleaning sewing machine.

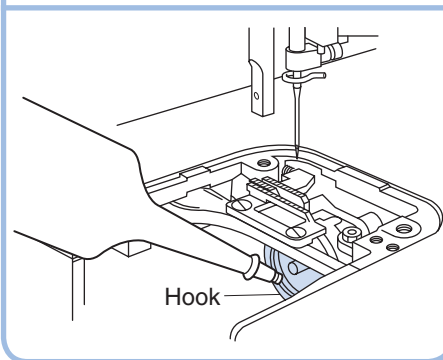
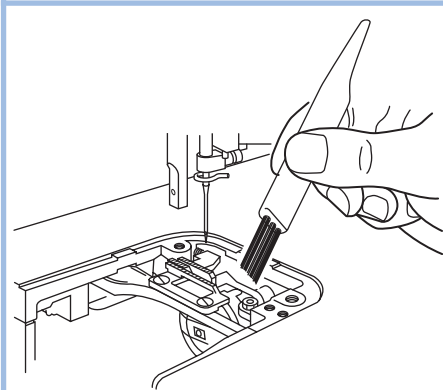
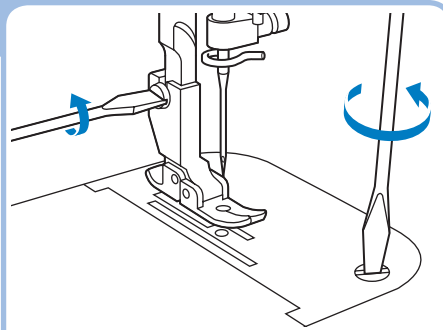
- ① Turn machine off.
- ② Remove foot.
- ③ Remove needle plate.
- ④ Clean out dust and thread scraps.

\* Thread scraps can be swept out through the bobbin door.

- ⑤ When the area under the needle plate is cleaned out, oil hook of bobbin case with sewing machine oil.

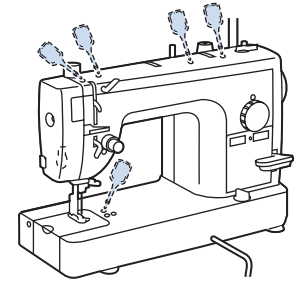
\* Use a cloth to clean the machine of any excess oil.

- ⑥ Attach needle plate and foot.



## Lubrication Points

- When using the sewing machine every day, apply a few drops of oil to each location indicated twice a month.
- \* Use a cloth to wipe the machine clean of any oil spilled near the lubrication points.



### ■ Keep Your Sewing Machine Clean

Please use a soft, dry cloth to wipe off light dirt and dust. If sewing machine is very dirty, wipe with a cloth soaked in warm water, or in warm water containing a neutral detergent. Then wipe off any detergent residue, and wipe off water with a dry cloth.

### ■ Precautions

Please keep sewing machine away from heat sources such as irons and space heaters. Do not use chemicals like benzine or thinner to clean your machine. When machine is not in use, please keep machine out of direct sunlight.



Item	Specification		
Sewing Speed (maximum)	1,500 stitches per minute		
Stitch Length (pitch)	0 – 7 mm		
Stroke of Needle	34.1 mm		
Stroke of Thread Take-Up Lever	64.7 mm		
Foot Height	Foot Lift	One	6 mm
		Two	9 mm
	Knee control	Over	10 mm

Item	Specification
Height of feed dog	0.7 mm, 1.1 mm
Height of lower needle	3 mm – 3.5 mm
Needles that may be used	HLX5#9 – #18 SCHMETZ 130/705H #65 – #110
Bed dimensions	439 mm x 178 mm (17 1/4 x 7 inches)
Total weight	11 kg (24 1/4 lbs.)
Sewing Light	120V model: 120V/15W Parts code: X53061-050
	220-240V model: 240V/15W Parts code: 205336-050
Sewing area	595 mm x 285 mm (23 3/8 x 11 1/4 inches)

# Trouble Shooting

\* Before taking your sewing machine in for service, check the following chart. You can solve most problems by yourself. If you need additional help, the Brother Solutions Center offers the latest FAQs and troubleshooting tips. Visit us at "<http://solutions.brother.com>".



● If you still cannot find the problem, please take your sewing machine into the shop where you purchased it, or your nearest authorized Brother dealer for repair.

**Hand Wheel  
Doesn't Rotate**

Thread is getting tangled.  
Rethread machine.  
Clean bobbin case and under  
needle plate. Oil the machine. 13-15.24

Needle is not attached  
correctly.  
Reattach. 10

Needle is bent, or tip is  
dulled.  
Change needles. 10

**Thread Gets  
Tangled on Wrong  
Side of Fabric**

Upper threading is not  
threaded correctly.  
Re-thread machine  
properly. 14

Upper thread tension is  
too low.  
Increase tension. 16

Bobbin case is scratched.  
Remove needle plate and  
check bobbin case.

● If you still cannot find the problem, please take your sewing machine into the shop where you purchased it, or your nearest authorized Brother dealer for repair.

\* If you find it difficult to turn the hand wheel, you may also see “Sewing Machine Doesn't Run” in “Trouble Shooting”.

# INSTRUCTIONS DE SÉCURITÉ IMPORTANTES

Lisez toutes les instructions avant d'utiliser la machine.

Lorsque vous utilisez cette machine, vous devez toujours respecter les précautions de sécurité de base, à savoir :

## **DANGER** – Pour réduire le risque de choc électrique :

- Ne laissez jamais la machine sans surveillance pendant qu'elle est branchée. Débranchez toujours la machine de la prise de courant dès que vous avez fini de l'utiliser et avant de la nettoyer.
- Débranchez toujours la machine avant de changer l'ampoule. Remplacez-la par une ampoule de même type, d'une puissance de 120 V (15 watts) pour le modèle 120 V ou d'une puissance de 240 V (15 watts) pour le modèle 220-240 V.

## **AVERTISSEMENT** – Pour réduire le risque de brûlure, d'incendie, de choc électrique ou de blessure :

- Cette machine n'est pas un jouet. Vous devez être très attentif lorsqu'elle est utilisée par des enfants ou à proximité d'enfants.
- N'utilisez pas cette machine à d'autres fins que celles pour lesquelles elle a été conçue, telles que décrites dans ce manuel. N'utilisez que les accessoires recommandés par le fabricant, tels que repris dans ce manuel.
- N'utilisez jamais cette machine si sa fiche ou son cordon d'alimentation sont endommagés, si elle ne fonctionne pas correctement, si on l'a fait tomber, si elle a été endommagée ou si elle est tombée dans l'eau. Renvoyez-la au revendeur agréé ou au centre de dépannage le plus proche pour qu'elle soit examinée et réparée ou pour qu'elle fasse l'objet de réglages électriques ou mécaniques.
- N'utilisez jamais cette machine lorsque les ouvertures de ventilation sont bouchées. Ne laissez pas les peluches, la poussière et les tissus s'accumuler car ils pourraient boucher les ouvertures de ventilation de la machine et de la pédale du rhéostat.
- N'insérez jamais et ne laissez jamais tomber aucun objet dans ces ouvertures.
- N'utilisez pas la machine à l'extérieur.
- Ne faites pas fonctionner la machine en cas d'utilisation de produits aérosols (vaporisateurs) ou d'administration d'oxygène.
- Pour débrancher la machine, placez l'interrupteur principal en position « O » (arrêt), puis retirez la fiche de la prise de courant.
- Ne débranchez pas la machine en tirant sur le cordon d'alimentation. Pour débrancher la machine, saisissez la fiche et non pas le cordon.
- Ne touchez pas les pièces mobiles. Vous devez faire preuve d'une grande prudence avec l'aiguille de la machine.
- Utilisez toujours la plaque à aiguille appropriée. L'utilisation d'une plaque incorrecte pourrait entraîner la cassure de l'aiguille.
- N'utilisez pas d'aiguilles tordues.
- Ne tirez et ne poussez pas le tissu pendant que vous cousez. Cela pourrait faire dévier l'aiguille et la casser.
- Placez l'interrupteur de la machine en position « O » pour la mettre hors tension lorsque vous effectuez des réglages à proximité de l'aiguille, comme l'enfilage de l'aiguille, le changement d'aiguille, la mise en place de la canette ou le changement de pied-de-biche, etc.
- Débranchez toujours la machine de la prise de courant lorsque vous retirez les couvercles, que vous ajoutez du lubrifiant ou que vous effectuez d'autres opérations d'entretien mentionnées dans ce manuel d'utilisation.
- Cette machine à coudre n'est pas conçue pour être utilisée sans surveillance par de jeunes enfants ou des personnes handicapées.
- Les enfants doivent être surveillés pour s'assurer qu'ils ne jouent pas avec cette machine.


# CONSERVEZ CES INSTRUCTIONS

**Cette machine est conçue pour une utilisation domestique.**

Cet appareil n'est pas conçu pour une utilisation par des personnes (adultes ou enfants) souffrant d'incapacités physiques, sensorielles ou mentales, ou ne disposant pas de l'expérience ou des connaissances nécessaires, à moins qu'elles ne soient aidées par une personne veillant à leur sécurité. Il faut surveiller les enfants pour s'assurer qu'ils ne jouent pas avec cet appareil.

**POUR LES UTILISATEURS AU ROYAUME-UNI,  
EN IRLANDE, À MALTE ET À CHYPRE UNIQUEMENT**

## IMPORTANT

- En cas de remplacement du fusible de la fiche, utilisez un fusible certifié ASTA à BS 1362, c'est-à-dire portant la marque , d'une capacité correspondant à celle indiquée sur la fiche.
- Remettez toujours le couvercle du fusible. Ne branchez jamais la machine lorsque le couvercle du fusible est ouvert.
- Si la prise électrique disponible ne correspond pas à la fiche fournie avec cet équipement, vous devez contacter votre revendeur agréé pour obtenir le cordon correct.

# NOUS VOUS REMERCIONS D'AVOIR CHOISI LA MACHINE A COUDRE ELECTRONIQUE BROTHER.

Cette machine à coudre est une des meilleures disponibles actuellement pour l'usage domestique.  
Cependant, nous vous conseillons la lecture de ce fascicule afin de profiter pleinement de toutes les fonctions intégrées.

## RECOMMANDATIONS AVANT D'UTILISER VOTRE MACHINE A COUDRE BROTHER

### Précautions d'utilisation

- Toujours bien vérifier la position de vos mains par rapport à l'aiguille pendant la couture. Ne pas toucher le volant, le releveur de fil, l'aiguille ou les autres parties en mouvement.
- Se rappeler qu'il faut éteindre la machine et débrancher le cordon secteur quand:
  - l'utilisation est terminée
  - vous remplacez ou échangez l'aiguille ou toutes autres pièces
  - une panne de courant se produit en cours d'utilisation
  - vous faites l'entretien et la lubrification de la machine
  - vous laissez la machine sans surveillance
- Ne rien poser sur la pédale de commande.
- Brancher la machine directement dans une prise secteur. Ne pas utiliser de rallonge électrique.

### Pour une vie prolongée de votre machine

- Ne pas ranger votre machine dans des endroits exposés au soleil et très humides. Ne pas ranger votre machine à coudre à proximité d'un appareil de chauffage, d'un fer à repasser, ou de tout autre appareil dégageant de la chaleur.
- Utiliser seulement des savons ou des détergents neutres pour nettoyer le coffret de la machine. Ne jamais utiliser de benzine, de diluants, de décapants, car ces produits risquent d'endommager le coffret et la machine.
- Ne pas laisser tomber ou ne heurter pas la machine.
- Toujours consulter le manuel d'instructions lors de la mise en place du pied-de-biche, de l'aiguille ou d'autres éléments accessoires pour s'assurer de les installer correctement.

### Pour la réparation et le réglage

Dans le cas d'une anomalie ou lorsqu'un réglage est nécessaire, se rapporter au chapitre « Résolution des problèmes » afin d'inspecter et de régler vous-même la machine. Si le problème persiste, consultez votre revendeur Brother.

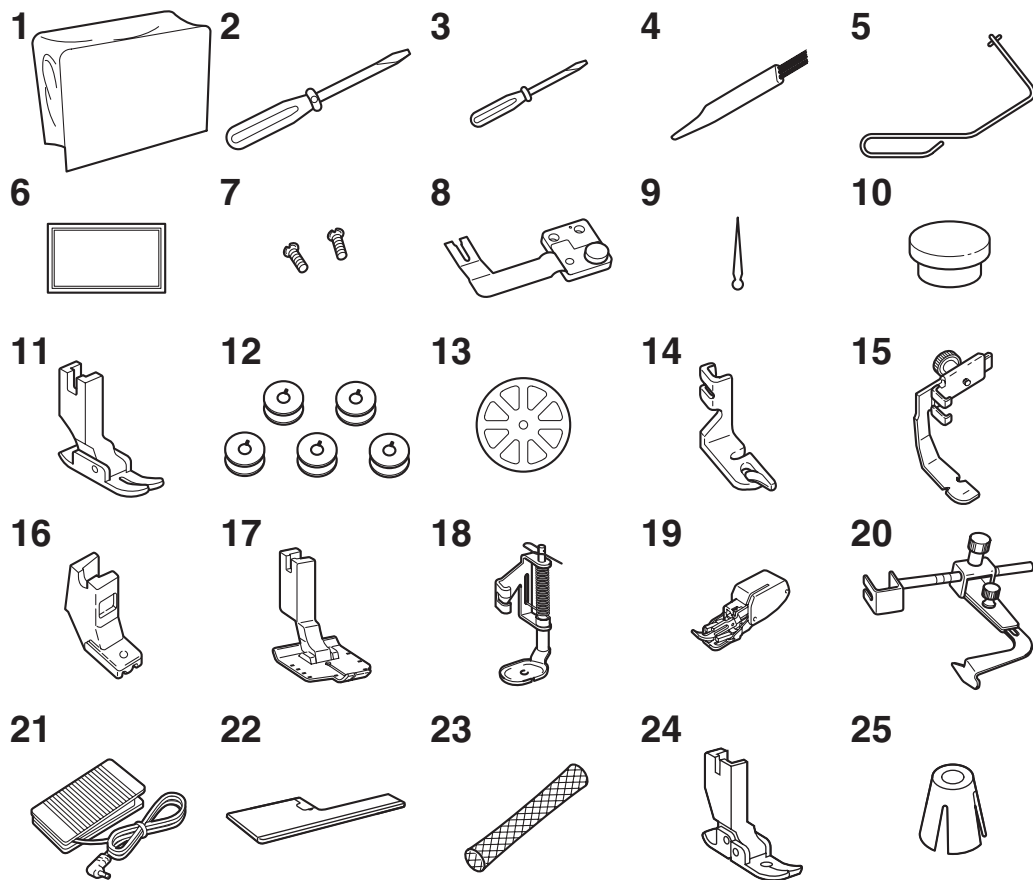
Pour obtenir le nom et le numéro de téléphone du centre technique agréé de Brother le plus proche, visiter le site [www.brother.com](http://www.brother.com) et utiliser notre localisateur fonctionnel de revendeurs.

# TABLE DES MATIÈRES

<b>Accessoires</b> .....	31	Points d'essai .....	42
<b>Fonctions de la machine</b> .....	32	Tension des fils.....	42
<b>Avant de commencer (1)</b> .....	33	<b>Changement du pied-de-biche</b> .....	43
Cordon d'alimentation et pédale.....	33	Changement du pied-de-biche	
Interrupteur d'alimentation.....	33	(Pied pour fermeture à glissière).....	43
Disque sélecteur de tension du fil .....	33	Les différents pied-de-biche .....	43
Volant .....	33	<b>Couture de base (1)</b> .....	44
Sélecteur de longueur de point .....	33	Couture de base.....	44
Levier de point arrière .....	33	Entraînement par ergot	
Levier du pied-de-biche.....	34	(pour les tissus difficiles à manipuler) .....	44
Levier de levage au genou .....	34	Mécanisme d'entraînement par ergot.....	44
Disque sélecteur de réglage de la pression		<b>Couture de base (2)</b> .....	45
du pied-de-biche.....	34	Pied pour ourlet rouleauté.....	45
Table de rallonge pour tissu .....	34	<b>Couture de base (3)</b> .....	46
<b>Avant de commencer (2)</b> .....	35	Pied pour fermeture à glissière .....	46
Bouton de ciseaux.....	35	Pied pour fermeture à glissière invisible .....	47
Bouton de position d'arrêt d'aiguille .....	35	Pied 1/4" .....	47
Interrupteur de la lampe .....	35	Pied transparent pour ouatinage/matelassage.....	48
Bouton de réglage des griffes d'entraînement .....	35	Pied double-entraînement .....	48
<b>Remplacement de l'aiguille et de l'ampoule de lampe</b> .....	36	Séparateur de tissu	
Remplacement de l'aiguille .....	36	(pour fixer une doublure au tissu) .....	49
Remplacement de l'ergot d'entraînement .....	36	Guide de couture.....	49
Remplacement de l'ampoule.....	36	<b>Entretien de la machine à coudre</b> .....	50
<b>Enfilage (1)</b> .....	37	Nettoyage de la machine.....	50
Remplissage de la canette .....	37	Points de graissage .....	50
Insertion de la canette.....	39	<b>Dépannage</b> .....	51
<b>Enfilage (2)</b> .....	40		
Mise en place du fil supérieur.....	40		
Utilisation de l'enfileur automatique.....	41		
Utilisation du filet de la bobine.....	41		
<b>Points d'essai et tableau d'aiguilles</b> .....	42		

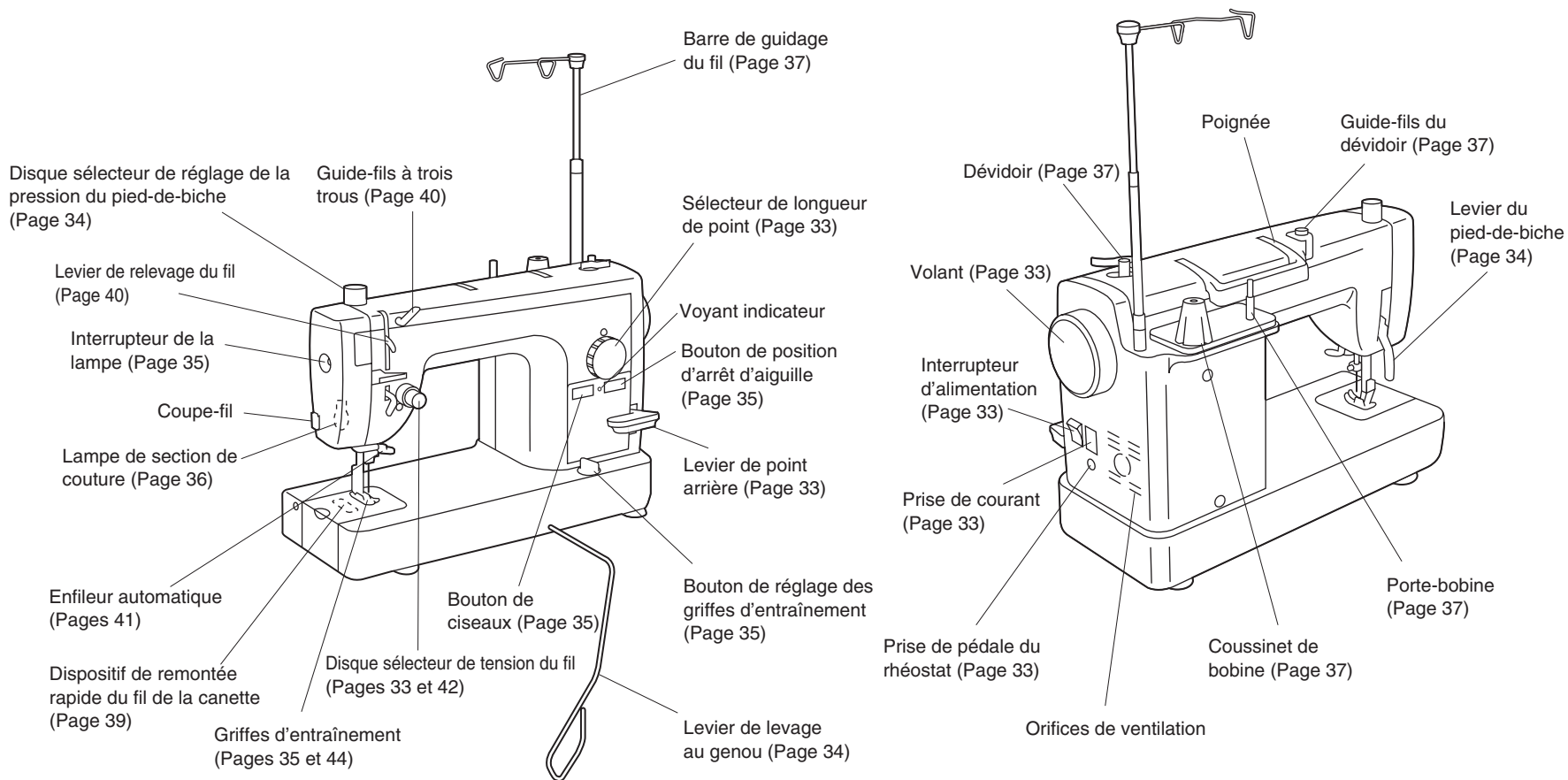


# Accessoires



No. de pièce	Désignation	Code de pièce
1	Couvercle	XA0917-054
2	Tournevis moyen	XC9541-051
3	Petit tournevis	X554680-51
4	Brosse de nettoyage	X59476-051
5	Levier de levage au genou	XA0830-051
6	Aiguilles et boîte (ORGAN HLX5) 1 Taille 9, 2 Taille 11, 1 Taille 14, 1 Taille 16, 1 aiguille à pointe-bille	X80805-151
7	Vis de plaque de doublure (2)	062670-817
8	Séparateur de tissu	184720-001
9	Axe d'avance	138483-051
10	Extracteur d'axe d'avance	XC1407-051
11	Pied à usage général	XA1425-001
12	Canette (5)	SA159 (Continent américain) MBN: XA8284-202 (Autres)
13	Capuchon de bobine	XA2111-050
14	Pied pour ourlet rouleauté	X57138-101
15	Pied pour fermeture à glissière	112797-001
16	Pied pour fermeture à glissière invisible	XC0093-001
17	Pied 1/4"	XA7258-001
18	Pied transparent pour ouatinage/matelassage	XA7255-301
19	Pied double-entraînement	XA7253-001
20	Guide de couture	XA7256-001
21	Pédale du rhéostat	XD0501-151 (zone UE) XC8816-051 (autres zones)
22	Table de rallonge pour tissu	XC3117-051
23	Filet de la bobine	XA5523-050
24	Pied à ergot d'entraînement (sur la machine)	136021-001
25	Broche porte-bobine conique (sur la machine)	XF2071-001

# Fonctions de la machine



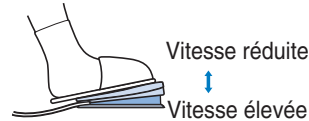
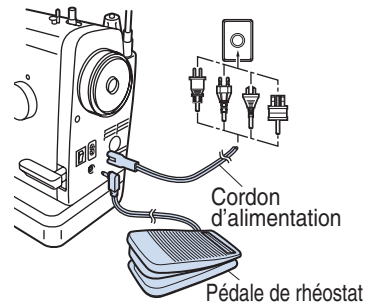
# Avant de commencer (1)

## Cordon d'alimentation et pédale

### ⚠️ AVERTISSEMENT

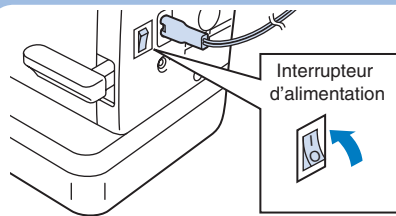
Utiliser un courant secteur domestique ordinaire.

- Brancher le cordon.
- Brancher la pédale sur la machine.
- Lorsque vous appuyez légèrement sur la pédale de rhéostat, la machine fonctionne à vitesse réduite. Lorsque vous appuyez plus fort, la vitesse de la machine augmente. Lorsque vous enlevez votre pied de la pédale de rhéostat, la machine s'arrête.



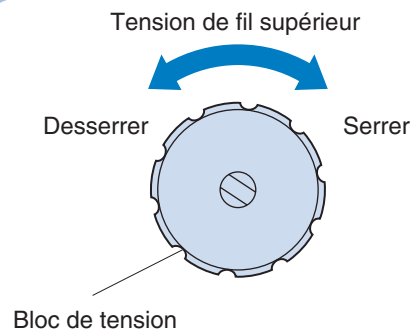
## Interrupteur d'alimentation

- Basculer l'interrupteur sur la position « I » pour allumer la machine à coudre.
- Pour éteindre la machine, basculer l'interrupteur sur la position « O ».



## Disque sélecteur de tension du fil

- Pour augmenter la tension du fil, tourner le sélecteur de tension vers la droite. Le fil supérieur et le fil de la canette se rejoignent sur l'endroit du tissu.
- Pour diminuer la tension du fil, tourner le sélecteur de tension vers la gauche. Le fil supérieur et le fil de la canette se rejoignent sur l'envers du tissu.

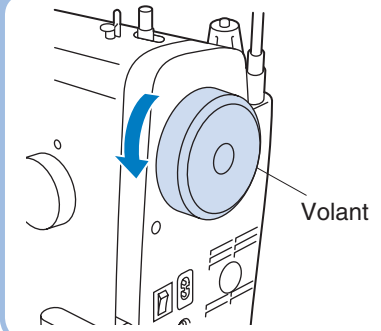


## Volant

- Positionner l'aiguille à l'aide du volant.
- \* Toujours tourner le volant vers soi.

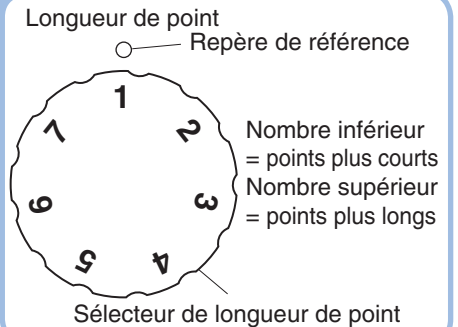
### ⚠️ ATTENTION

Veillez à dégager la zone en dessous et autour de l'aiguille.



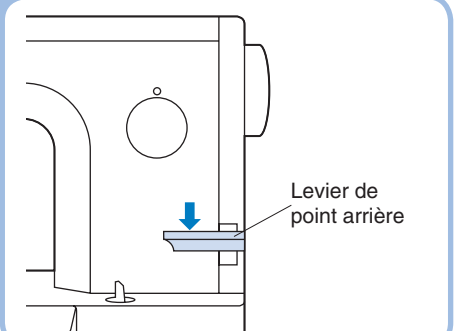
## Sélecteur de longueur de point

- Régler la longueur de point à l'aide du sélecteur de longueur de point.



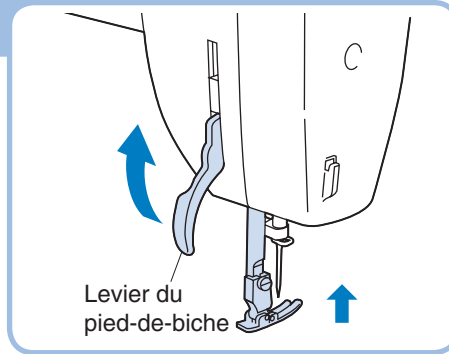
## Levier de point arrière

- Pour coudre en marche arrière, abaisser le levier de point arrière.
- \* Abaissez en continu et au maximum le levier pour coudre en marche arrière.
- \* Lorsque le sélecteur de réglage de l'entraînement est réglé entre 5-7 mm, la longueur du point arrière est toujours de 5 mm.



## Levier du pied-de-biche

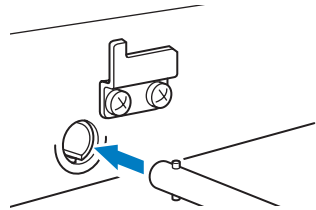
- Abaisser le levier du pied-de-biche pour abaisser le pied sur le tissu et activer la fonction de tension du fil.
- \* Pour travailler dans du tissu lourd et des tissus qui ne glissent pas facilement sous le pied, relever le levier du pied-de-biche pour placer le tissu.



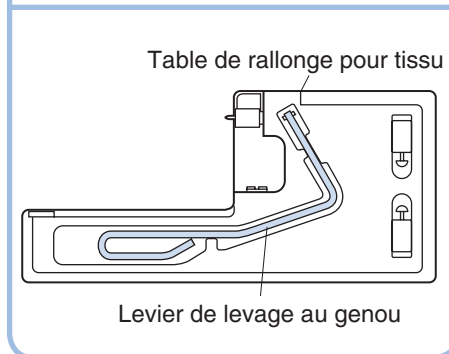
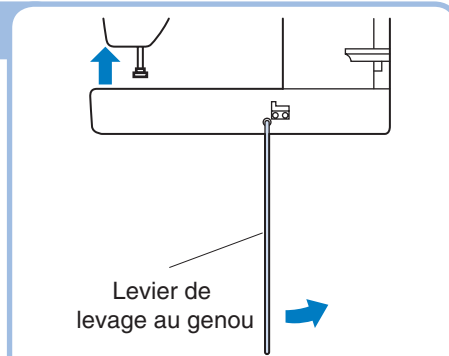
## Levier de levage au genou

- Le levier de levage au genou est pratique pour soulever et abaisser le pied-de-biche en gardant les mains libres.

Installation du levier de levage au genou.

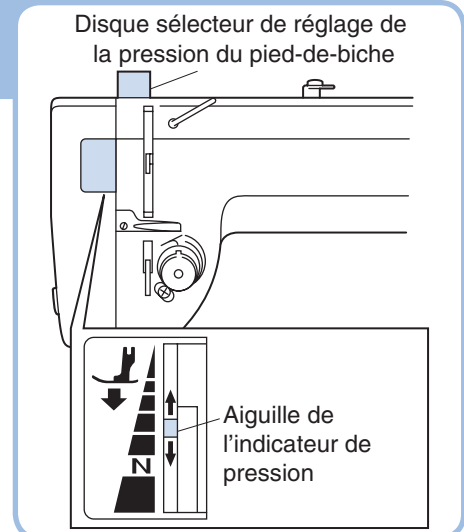


- \* Enfoncer la barre du levier de levage au genou à fond dans la prise.
- \* Lorsqu'on ne se sert pas du levier de levage au genou, on pourra le laisser sur l'envers de la table de rallonge pour tissu.



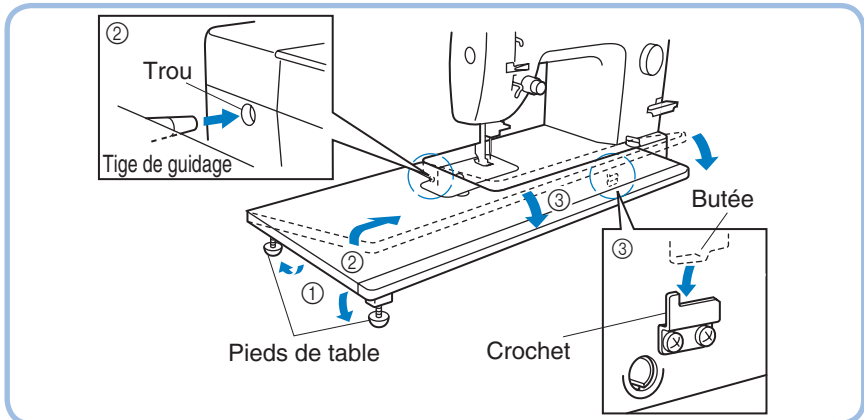
## Disque sélecteur de réglage de la pression du pied-de-biche

- Tourner le sélecteur de pression pour faire monter ou descendre l'aiguille de l'indicateur de pression à mesure que la pression du pied-de-biche change. Voir également: « Bouton de réglage des griffes d'entraînement », page 35.
- \* Voir « Tension des fils » à la page 42.



## Table de rallonge pour tissu

- Abaissez les pieds de table réglables et faites glisser la table de rallonge pour tissu sur la machine.



# Avant de commencer (2)

## Bouton de ciseaux

### ⚠ ATTENTION

Si la machine s'arrête, notamment en cas de bourrage de fils, ne pas appuyer sur la pédale; vérifier la situation après avoir mis la machine hors tension et en déplaçant l'aiguille avec le volant à main.

- Les ciseaux coupent le fil supérieur et le fil de la canette à la fin des coutures.



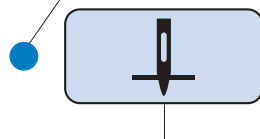
Bouton de ciseaux

- \* Appuyer avec le levier du pied-de-biche abaissé.

## Bouton de position d'arrêt d'aiguille

- Quand le voyant indicateur est allumé, la machine s'arrête automatiquement avec l'aiguille baissée, plantée dans le tissu.
- Si le voyant est éteint, la position de l'aiguille au moment de l'arrêt de la couture sera aléatoire.
- Si le mécanisme de sécurité s'est déclenché, par exemple si le fil est emmêlé, le voyant rouge clignote.

Voyant indicateur

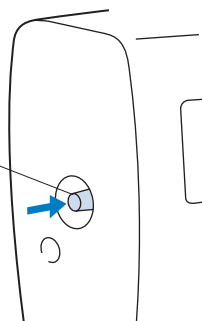


Bouton de position d'arrêt d'aiguille

## Interrupteur de la lampe

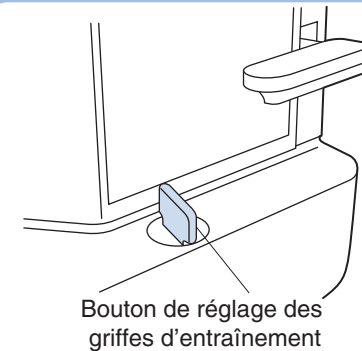
- Appuyer sur l'interrupteur pour allumer et éteindre la lampe sur la section de couture.

Interrupteur de la lampe

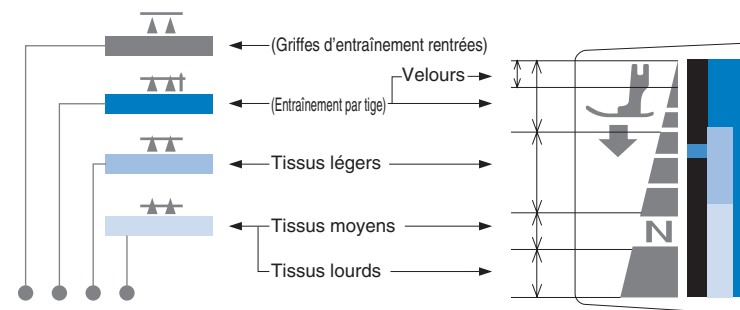


## Bouton de réglage des griffes d'entraînement

- Il est possible de régler la hauteur des griffes d'entraînement en fonction du poids du tissu.




## Pression du pied-de-biche et position des griffes d'entraînement



Sélectionner l'une des quatre positions de griffes d'entraînement, en fonction des besoins.

### Remarque

Si on sélectionne un réglage autre que , le mécanisme d'entraînement par ergot ne fonctionnera pas.

# Remplacement de l'aiguille et de l'ampoule de lampe

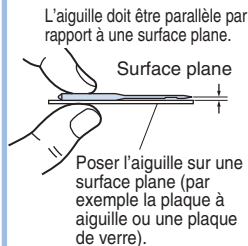
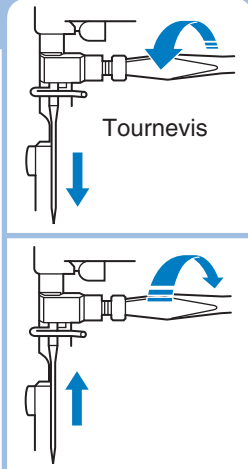
## ⚠ ATTENTION

Bien éteindre la machine à coudre avant d'effectuer les opérations suivantes. Sinon, la machine risque de se mettre en marche accidentellement et de provoquer des blessures.

### Remplacement de l'aiguille

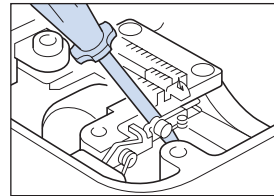
- 1 Eteindre la machine. Relever l'aiguille sur la position de levage maximal à l'aide du volant, et abaisser le pied-de-biche.
- 2 Desserrer la vis avec un tournevis et retirer l'aiguille.
- 3 Tenir l'aiguille avec la section plate sur la droite, et insérer l'aiguille à fond. Assurez-vous de fixer correctement l'aiguille au boîtier à aiguille en vissant à fond.

- \* Si l'aiguille n'est pas insérée correctement ou si la vis est trop lâche, l'aiguille risque de se casser ou la machine risque de tomber en panne et l'enfileur ne fonctionnera pas.
- \* Vérifier les aiguilles sur une surface plane pour s'assurer qu'elles ne sont pas tordues.

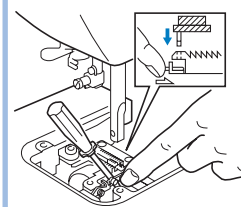
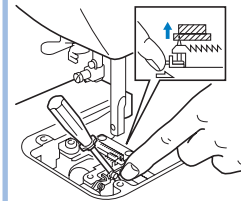
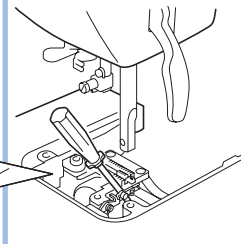
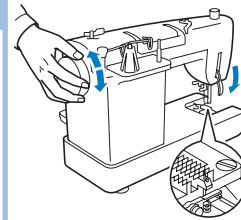


### Remplacement de l'ergot d'entraînement

- 1 Régler les griffes d'entraînement sur la position « velours ». (Voir page 35.)
- 2 Retirer l'aiguille, le pied-de-biche et la plaque à aiguille.
- 3 Abaisser le pied-de-biche et tourner le volant jusqu'à ce que l'ergot d'entraînement soit à la position de levage maximale.
- 4 Insérer le petit tournevis (fourni) comme indiqué sur le schéma.



- 5 Tout en tenant le ressort du bout des doigts, abaisser le changeur d'ergot d'entraînement sur l'aiguille pour relever la tige.



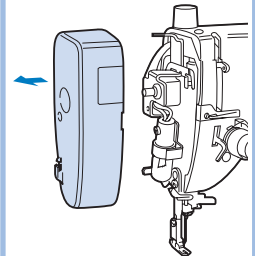
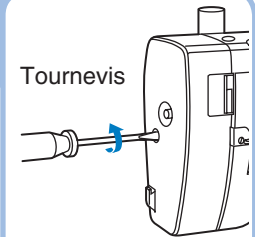
- 6 Fixer un nouvel ergot d'entraînement au changeur d'ergot d'entraînement, abaisser et fixer tout en tenant le ressort du bout des doigts.
- 7 Retirer le tournevis.
- 8 Remonter la plaque à aiguille et le pied-de-biche.

## ⚠ ATTENTION

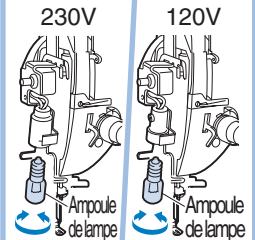
Veiller à ce que la machine à coudre soit hors tension avant d'effectuer les opérations suivantes. La plaque de verre qui abrite l'ampoule de la lampe est chaude immédiatement après l'utilisation de la machine; nous conseillons dès lors d'attendre que l'ampoule ait refroidi avant de changer cette dernière.

### Remplacement de l'ampoule

- 1 Eteindre la machine.
- 2 Retirer la vis de la tête.
- 3 Retirer le logement de l'ampoule.



- 4 Dévisser l'ampoule et la retirer.
- 5 Visser une nouvelle ampoule. Lampe de couture : voir page 50.
- 6 Remonter le logement de l'ampoule et visser à fond.



### Remarque

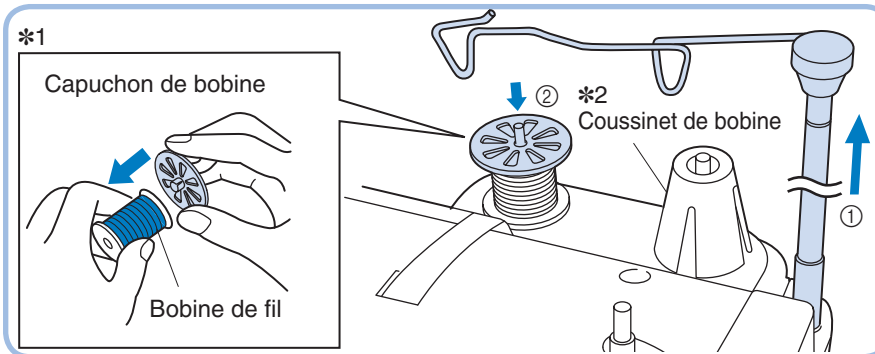
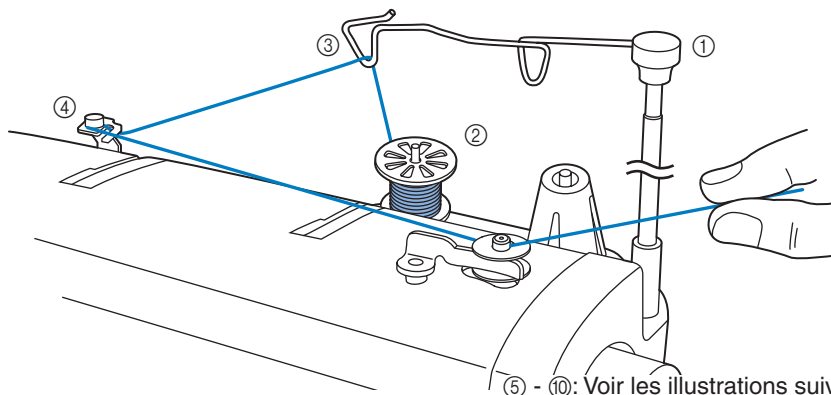
Utiliser des aiguilles HLX5; toutefois, on pourra également utiliser des aiguilles Schmetz 130/705H dans des circonstances normales d'utilisation.

# Enfilage (1)

## Remplissage de la canette

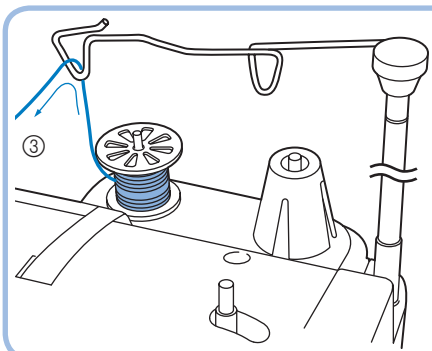
### ⚠ ATTENTION

Ne pas déplacer la butée de canette pendant que la machine fonctionne.

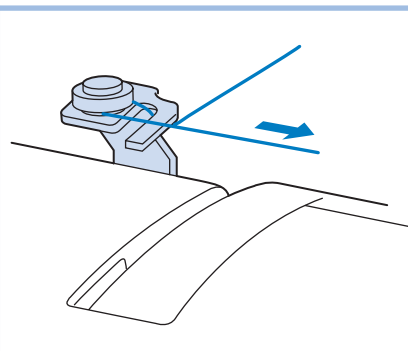


- ① Relever la barre de guidage du fil au maximum.
- ② Placer une bobine de fil sur le porte-bobine.

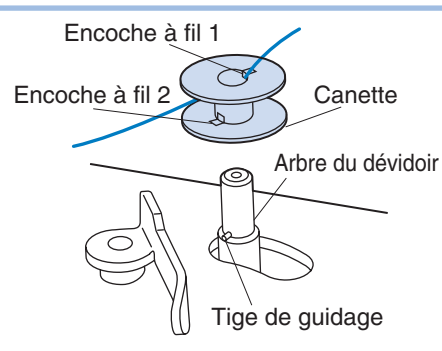
- \*1 Avec un fil enroulé parallèlement, utiliser le capuchon de bobine.
- \*2 Avec un fil enroulé croisé, utiliser le coussinet de bobine.



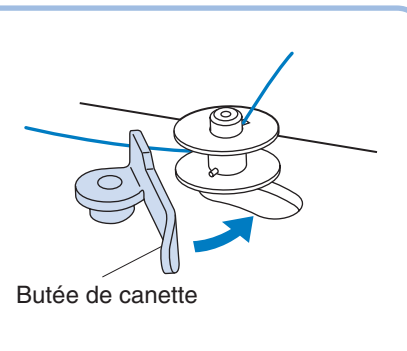
- ③ Passer le fil par l'orifice triangulaire.



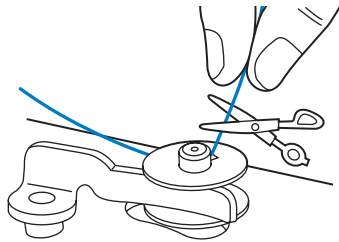
- ④ Passer le fil par le guide-fil de bobinage de la canette comme illustré sur le schéma.



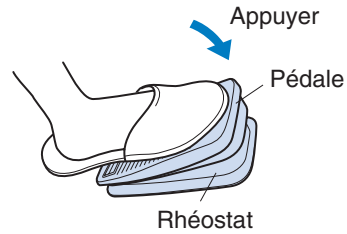
- ⑤ Faites passer le fil dans l'encoche supérieure 1, puis tournez la canette de façon à aligner l'encoche inférieure 2 de la canette sur la tige de guidage de l'arbre du dévidoir.



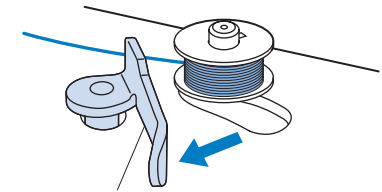
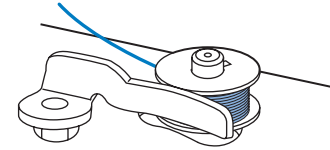
- ⑥ Pousser la butée de canette contre la canette vide. Si la butée de canette ne glisse pas facilement entre le côté supérieur et le côté inférieur de la canette, vérifier si la canette est installée correctement, avec la tige de guidage (⑤) insérée dans l'encoche inférieure.



\* Placer l'extrémité du fil de façon qu'il ne ressorte pas de la canette.



\* Si vous appuyez plus fort sur le rhéostat, la vitesse de bobinage augmente.



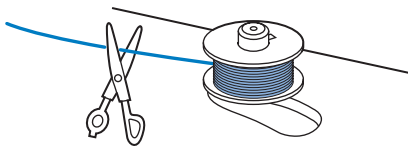
Butée de canette

⑦ Tout en tenant l'extrémité du fil, appuyer sur la pédale pendant quelques secondes. Quand il s'est enroulé suffisamment de fil sur la canette pour que le fil reste en place, relâcher la pédale et couper l'excédent de fil.

⑧ Recommencez à bobiner la canette en appuyant sur la pédale de rhéostat.

⑨ Arrêter le bobinage lorsque la canette est pleine. Retirer le pied de la pédale.

⑩ A la main, ramener la butée de canette à sa position d'origine.



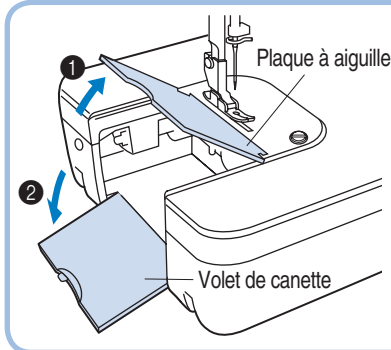
⑪ Couper le fil et enlever la canette.



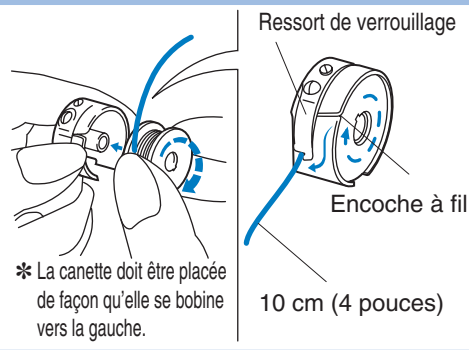
## Insertion de la canette

# ⚠ ATTENTION – Déplacement des pièces –

Pour éviter tout risque de blessure, toujours éteindre la machine avant toute intervention technique. Ouvrir les couvercles.



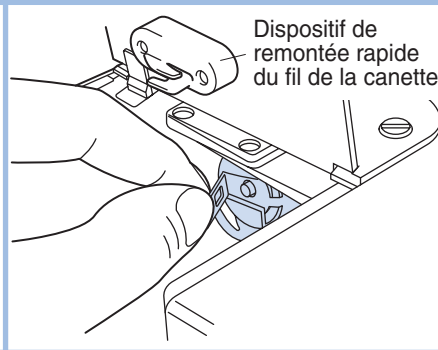
① Soulever la plaque à aiguille et ouvrir le volet de la canette.



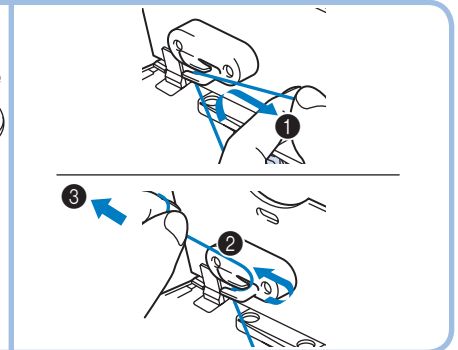
\* La canette doit être placée de façon qu'elle se bobine vers la gauche.

② Mettre la canette dans le boîtier de la canette.

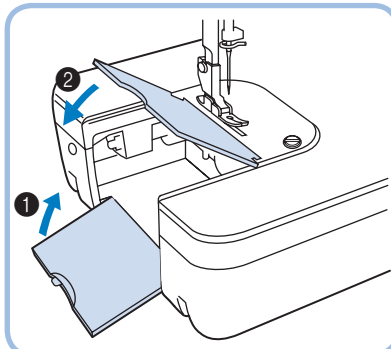
\* Faire passer le fil dans l'encoche prévue et sous le ressort de verrouillage de manière à laisser sortir quelques cm de fil.  
\* Toujours utiliser le boîtier de canette livré avec la machine. Un deuxième boîtier peut également être commandé auprès du revendeur.



③ Tirer sur le levier de verrouillage du boîtier de la canette, enfoncer le boîtier de la canette dans la coursière de navette et relâcher le levier de verrouillage.

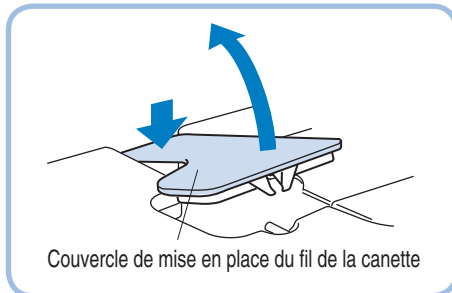


④ Passer le fil dans le dispositif de remontée rapide du fil de la canette dans l'ordre ① ②, tirer dans le sens de la flèche ③ puis couper le fil.



⑤ Abaisser la plaque coulissante et refermer le volet de la canette en suivant l'ordre ① ② cidessus.

### ● Lorsque la table de rallonge pour tissu est en place



Ouvrez au préalable le couvercle de mise en place du fil de la canette, puis mettez le fil de la canette en place en respectant les instructions indiquées ci-dessus. (Vous pouvez mettre le fil de la canette en place sans ôter la table de rallonge pour tissu.)

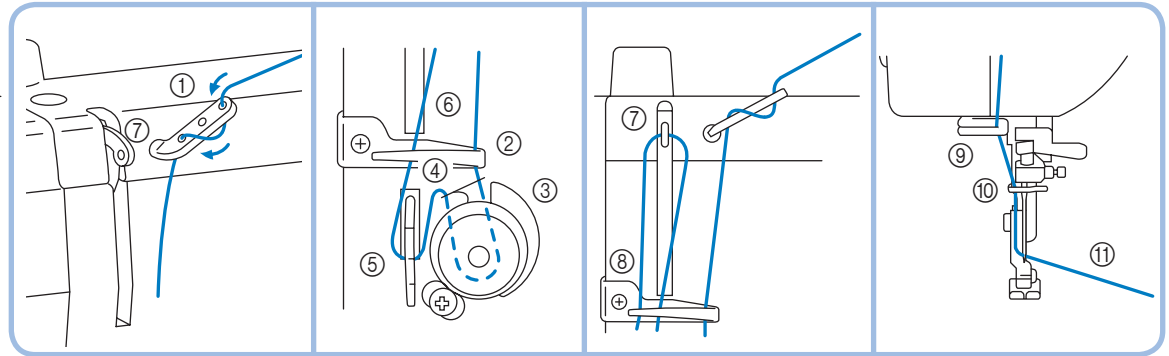
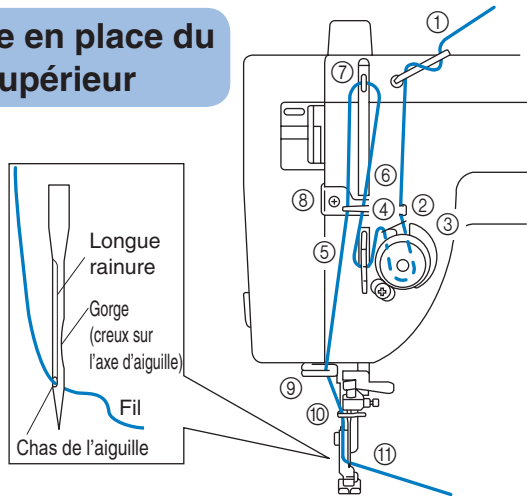
★ Dispositif de remontée rapide du fil de la canette  
Ce dispositif coupe le fil de la canette à une longueur appropriée après le remplacement de la canette et le garde à cette longueur. Il est alors inutile de tirer manuellement le fil de la canette par l'orifice de la plaque à aiguille. Fermez simplement le boîtier de la canette et poursuivez le processus de mise en place du fil supérieur.

# Enfilage (2)

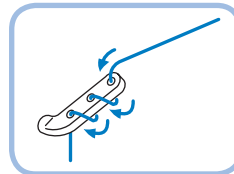
## ⚠ ATTENTION

Toujours mettre la machine hors tension avant d'utiliser l'enfileur automatique. Une pression accidentelle sur la pédale du rhéostat pendant cette opération pourrait provoquer des blessures ou endommager la machine.

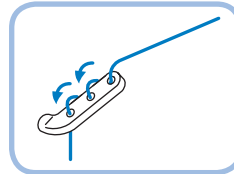
### Mise en place du fil supérieur



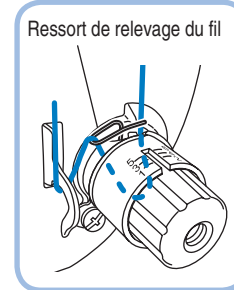
- Vérifier que le levier de relevage du fil se trouve sur la position de levage maximale et que le pied-de-biche est relevé (7).
- \* Lorsqu'on utilise du polyester ou du fil qui se torsade ou se casse, faire passer le fil dans les trois orifices du guide-fils.



- \* Si le fil est encore torsadé ou cassé faire passer le fil dans les orifices arrière, comme indiqué sur le schéma.



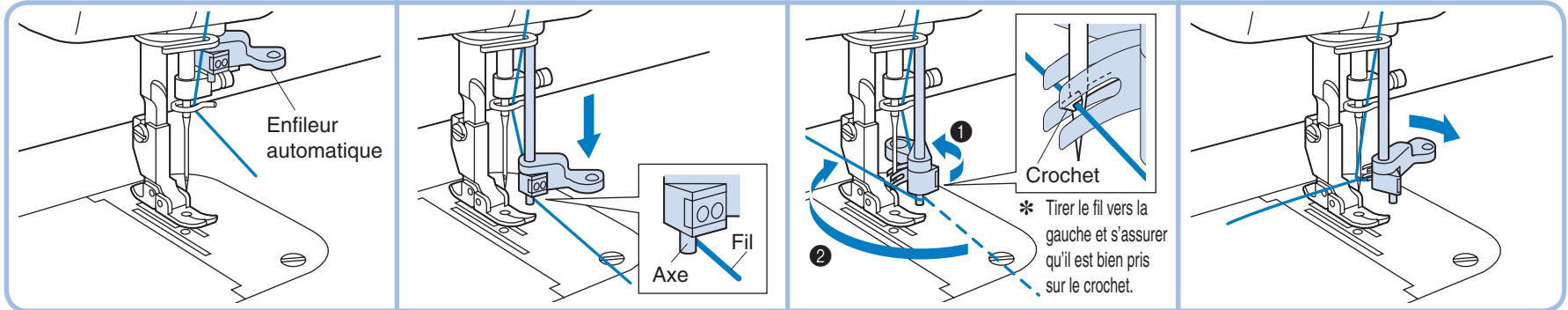
- \* Il se peut que la tension des fils ne soit pas réglée de manière appropriée à moins que le fil passe correctement par le ressort de relevage.



## ⚠ ATTENTION

Mettez la machine hors tension avant d'utiliser l'enfileur automatique. Sinon, vous risquez de vous blesser si vous appuyez par inadvertance sur la pédale de rhéostat.

## Utilisation de l'enfileur automatique

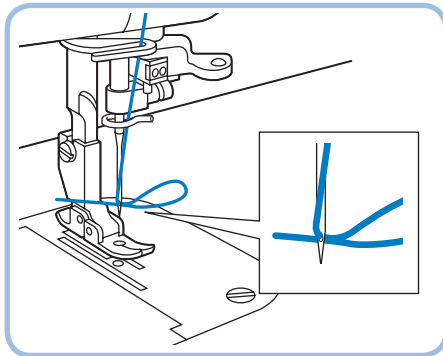


- ① Tourner le volant à main vers soi jusqu'à ce que l'aiguille soit complètement relevée puis abaisser le pied-de-biche.
- ② Prendre le fil dans la main gauche et le tirer doucement vers l'avant.

- ③ Abaisser l'enfileur automatique.
  - \* Tirer le fil sur la droite de l'axe.
  - \* Ne pas abaisser de force l'enfileur plus bas que le chas de l'aiguille qui est sur la position de levage maximum.

- ④ Tourner le levier de l'enfileur à fond dans le sens ① et, lorsque le crochet passe le chas de l'aiguille, tirer le fil dans le sens ② pour l'attraper sur le crochet.

- ⑤ Tenir doucement le fil et replacer le levier de l'enfileur vers la droite. Pendant cette opération, le crochet qui a attrapé le fil se déplace également et tire une boucle de fil par le chas de l'aiguille.

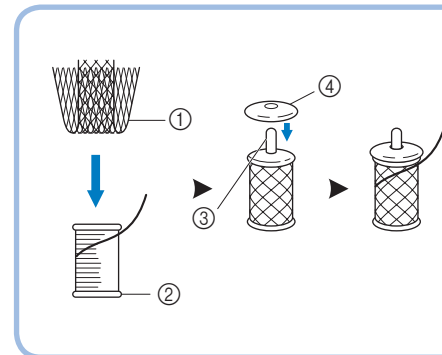


- ⑥ Avant de coudre, tirez la boucle de fil vers la droite et dirigez la queue du fil vers l'arrière de la machine tout en suivant l'ouverture du pied-de-biche.

Aiguille (HLX5)	Fil
#9	#20 #30 #50 #60
#11	#20 #30
#14	#20 #30
#16	#20

- Certaines combinaisons de fil et d'aiguille ne permettent pas d'utiliser l'enfileur automatique, comme indiqué dans le tableau ci-dessus. Un fil de nylon transparent pourra être utilisé indépendamment des indications du tableau, à condition d'utiliser une aiguille #14 ou #16.

## Utilisation du filet de la bobine



Lorsque vous utilisez des fils en nylon transparent, métalliques ou autres fils épais, placez le filet de la bobine inclus sur la bobine avant de coudre.

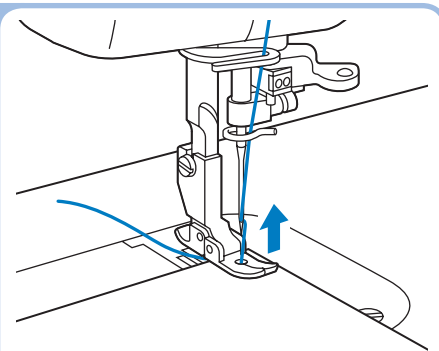
Si le filet de la bobine est trop long, pliez-le une fois pour qu'il soit de la même taille que la bobine avant de le placer sur la bobine.

- ① Filet de la bobine
- ② Bobine de fil
- ③ Porte-bobine
- ④ Couverture de bobine

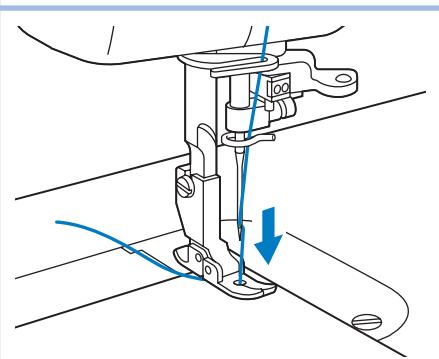
# Points d'essai et tableau d'aiguilles

## Points d'essai

① Régler le sélecteur de longueur de point sur la longueur de point voulue.  
 ② Veillez à tirer environ 15 cm de fil supérieur et à les placer derrière le pied-de-biche. L'aiguille étant en position relevée, mettre un morceau de tissu sous le pied-de-biche pour faire un essai.

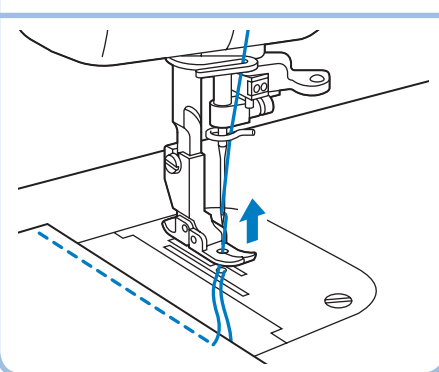


③ Abaisser le pied-de-biche.  
 ④ Tourner le volant à main vers l'avant pour abaisser l'aiguille et la piquer dans le tissu puis appuyer doucement sur la pédale pour commencer à coudre.



⑤ Tourner le volant à main vers soi pour relever complètement l'aiguille et le levier d'enfilage.

⑥ Relevez le pied-de-biche et enlevez le tissu. Coupez manuellement le fil avec le coupefil situé à gauche de la machine ou avec une paire de ciseaux.

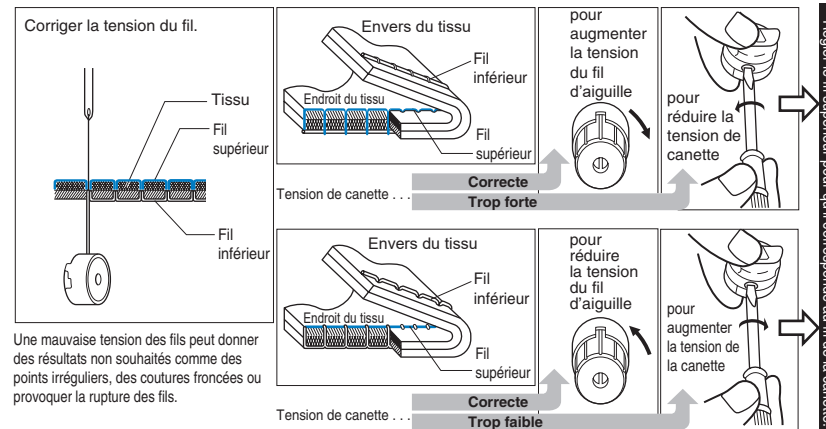


\* Si l'on utilise les ciseaux:

⑤ Appuyer sur le bouton du coupefil pendant que le levier du pied-de-biche est abaissé.  
 ⑥ Relever le pied et enlever le tissu.

## Tension des fils

\* Le fil de canette doit être alimenté régulièrement. Régler le fil de canette en fonction de la tension du fil supérieur. (Si le fil de canette est trop serré, le tissu risque de se plisser.)



Une mauvaise tension des fils peut donner des résultats non souhaités comme des points irréguliers, des coutures froncées ou provoquer la rupture des fils.

### ● Sélectionner l'aiguille qui convient pour le tissu et le fil

\* Le tableau ci-dessous concerne différentes combinaisons de tissus, de fils et d'aiguilles.

	Combinaisons tissu-fil-aiguille			HLX5	Schmetz 130/705H
	Tissu	Fil	Aiguille (HLX5)		
Tissu spécial	Velours	Soie, polyester #30 – #50	#11 – #14	#9	#65
	Matelassage	Polyester #20 – #50	#11 – #16	#11	#75
	Daim synthétique	Polyester #20 – #50		#14	#90
	Jersey	Polyester #20 – #50		#16	#100
	Revêtement	Polyester #50	#11 – #14	#18	#110
Tissu léger	Batiste	Coton #80	#9		
	Tricot	Polyester #60			
	Soie Georgette	Soie #50			
	Laine Georgette	Soie, polyester #50	#11		
Tissu moyen	Vichy	Coton #60 – #80	#11 – #14		
	Tricot léger, jersey	Polyester #60	#11		
	Gabardine, flanelle	Soie #50			
Tissu lourd	Jeans	Coton #20 – #50	#14 – #18		
	Jersey	Polyester #20 – #50	#11 – #16		
	Tweed	Soie #20 – #50			

- \* Il est recommandé d'utiliser des aiguilles HLX; toutefois, on pourra également utiliser des aiguilles Schmetz 130/705H dans des conditions normales d'utilisation.
- \* Régler le sélecteur de pression et le bouton des griffes d'entraînement en fonction du tableau repris sur la machine à coudre.
- \* Avec des tissus comme du jersey ou des tricots, utiliser une aiguille à bille ou toute autre aiguille spécialement conçue pour les tricots.

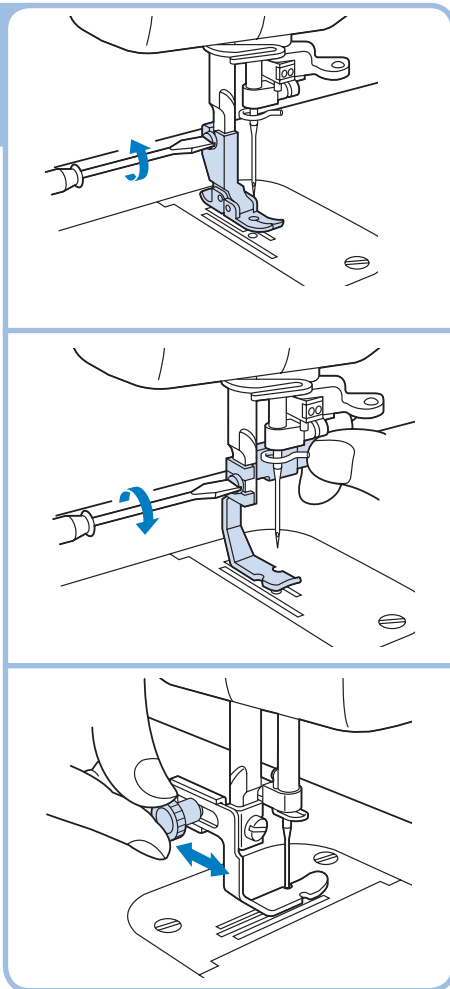
# Changement du pied-de-biche

## ⚠ ATTENTION

Bien éteindre la machine avant de changer le pied-de-biche.

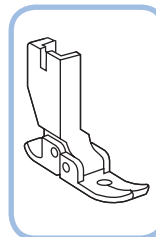
### Changement du pied-de-biche (Pied pour fermeture à glissière)

- ① Relever le pied-de-biche et relever l'aiguille à la position maximale.
  - ② Desserrer la vis à l'aide d'un tournevis.
  - ③ Fixer le pied pour fermeture à glissière et resserrer la vis.
- \* Procédez de la même façon pour fixer l'autre pied fourni avec votre machine.
  - \* Pour le sens de fixation du pied double-entraînement, voir page 48.
  - \* Utiliser le bouton de position au dos du pied pour fermeture à glissière pour régler la position du pied par rapport à l'aiguille.
  - \* Seul le pied pour fermeture à glissière possède un bouton de position. On peut commencer à coudre avec tous les autres pieds-de-biche dès que le pied est fixé.

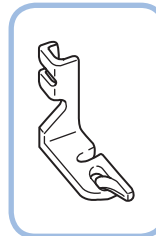


### Les différents pied-de-biche

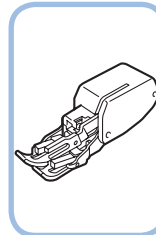
- **Pied à ergot d'entraînement**  
Pour obtenir des points parfaits sur des tissus difficiles comme le velours, le cuir et le daim.



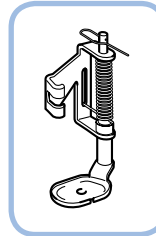
- **Pied pour ourlet rouleauté**  
S'utilise sur les bords du tissu, comme sur les ourlets de chemises, pour plier le bord en trois pendant la couture.



- **Pied double-entraînement**  
Entraîne le tissu fin ou épais pour éviter le fronçage. Très utile pour le quilting (courtepointe).

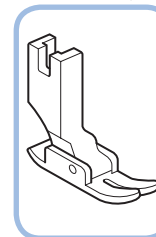


- **Pied transparent pour ouatinage/matelassage**  
Pour réaliser des surpiqûres parfaites (couette, coussin, ...).



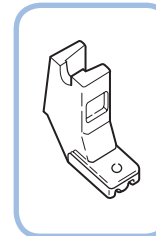
\* Utilisez uniquement les pieds fournis avec votre machine. Chaque pied a été spécialement conçu pour cette machine et possède au dos l'espace nécessaire pour la tige. L'utilisation d'autres pieds-de-biche risque d'endommager ou de casser le mécanisme d'entraînement par ergot.

- **Pied à usage général**  
Ce pied convient pour la plupart des travaux de couture. (Sert également pour les tissus lourds et les coutures.)

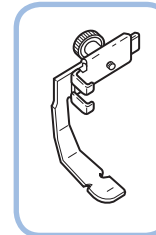


- \* Lors de la couture d'ourlets épais, guider légèrement le tissu en plaçant la main à l'envers de la couture.
- \* Peut également être utilisé avec un entraînement par ergot.

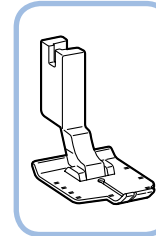
- **Pied pour fermeture à glissière invisible**  
Permet de fixer des fermetures à glissière invisibles.



- **Pied pour fermeture à glissière**  
Permet de fixer des fermetures à glissière autres que les fermetures invisibles. Vous pouvez également utiliser le pied-de-biche pour maintenir le passepoil en place lors de la couture. Utilisez le côté du pied le plus proche de l'aiguille pour s'appuyer contre le bord du passepoil lors de la couture.

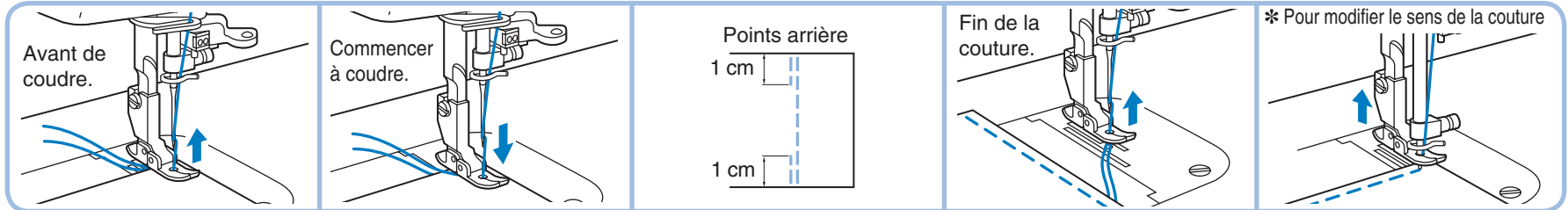


- **Pied 1/4"**  
Pour la couture de quilting (courtepointe) et de patchwork avec un déplacement de 1/4 pouce et 1/8 pouce.



# Couture de base (1)

## Couture de base



① Relever le pied-de-biche, sortir environ 15 cm de fil supérieur et de fil de canette et les faire passer derrière le pied-de-biche, puis placer le tissu sous le pied-de-biche.

② Abaisser le levier pour abaisser le pied-de-biche.

③ Tourner le volant à main vers soi pour abaisser l'aiguille et la piquer dans le tissu puis appuyer légèrement sur la pédale pour commencer à coudre.

\* Au début et à la fin d'une couture, appuyer sur le levier de point arrière et coudre en marche arrière sur environ 1 cm.

④ Relever l'aiguille au maximum.

⑤ Relever le pied-de-biche, retirer le tissu et couper le fil.

\* Si l'on utilise le coupe-fil :

④ Appuyer sur le bouton du coupe-fil

(le fil supérieur et le fil de canette se coupent automatiquement et l'aiguille s'arrête en position relevée).

⑤ Relever le pied-de-biche et retirer le tissu.

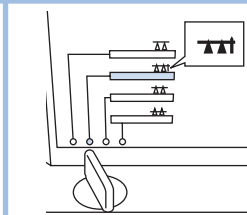
① S'assurer que l'aiguille a complètement traversé le tissu.

② Relever le pied-de-biche et tourner le tissu en utilisant l'aiguille comme axe.

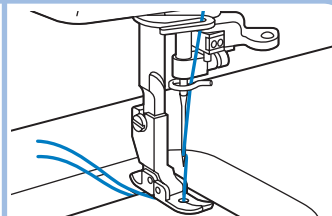
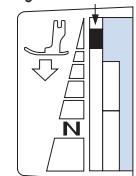
③ Abaisser le pied-de-biche et continuer à coudre.

## Entraînement par ergot (pour les tissus difficiles à manipuler)

Tissus :  
Velours  
Matelassage,  
Daim  
synthétique,  
Jersey,  
Revêtement  
autres



Aiguille de l'indicateur



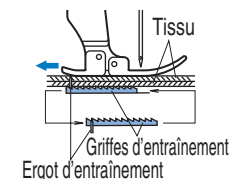
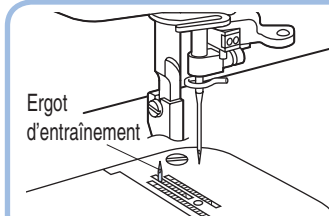
\* Les tissus illustrés ci-dessus peuvent être cousus ensemble de manière égale en activant le mécanisme d'entraînement par ergot.

① Mettre le bouton de réglage d'entraînement sur la position d'entraînement par ergot.

② Régler le sélecteur de pression jusqu'à ce que l'indicateur d'aiguille se trouve sur la position correcte dans la zone codée de correspondance des couleurs.

③ Tirer délicatement sur le fil jusqu'à ce que l'ergot d'entraînement attrape le tissu, et coudre.

## Mécanisme d'entraînement par ergot



L'ergot d'entraînement remonte de façon à traverser toutes les épaisseurs de tissu et il se déplace sous l'effet du mouvement des griffes d'entraînement de manière à entraîner le tissu de façon uniforme.

\* Pour des raisons de sécurité, l'ergot d'entraînement s'abaisse automatiquement quand on relève le pied-de-biche.

## ATTENTION

Lorsque le levier du pied-de-biche est abaissé, l'ergot d'entraînement est positionné en haut sur les griffes d'entraînement. Éloignez vos mains de l'ergot d'entraînement.

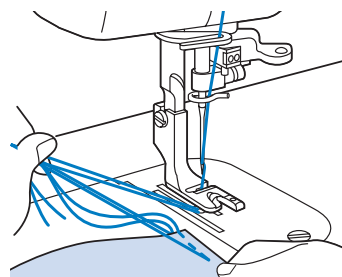
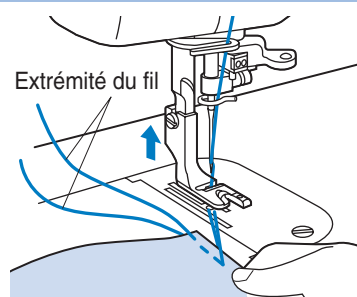
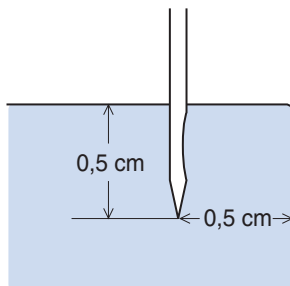
# Couture de base (2)

## ⚠ ATTENTION

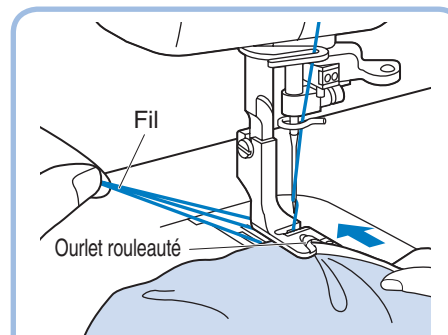
Bien éteindre la machine avant de changer le pied-de-biche.

### Pied pour ourlet rouleauté

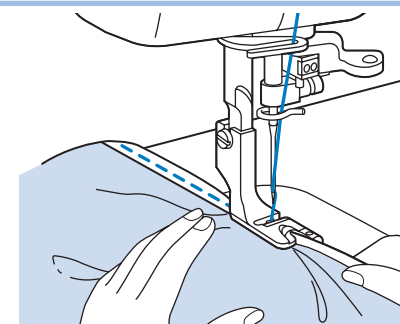
- ① Fixer le pied pour ourlet rouleauté.
  - \* Pour le changement des pieds-de-biche, voir page 43.
- ② Placez le tissu (l'envers vers le haut) sous le pied-de-biche. Insérer l'aiguille à environ 0,5 cm du bord du tissu et coudre 2 points.
- ③ Tourner le volant à main vers soi pour relever l'aiguille, relever le pied-de-biche puis tirer le tissu vers l'avant.
  - \* Veillez à ne pas désefiler le tissu lorsque vous le tirez vers l'avant.
- ④ Tenir les 4 fils de la main gauche.



- ⑤ De la main droite, placer le bord de l'ourlet roulotté sous le pied-de-biche, au point où les fils ressortent. Puis insérer le bord de façon qu'il se trouve juste sous l'aiguille. Abaisser le pied-de-biche.



- ⑥ Tirer délicatement sur les fils de la main gauche pendant la couture des 3 ou 4 premiers points de façon qu'ils restent en place.
- ⑦ Replier l'ourlet sur environ 0,5 cm et continuer à faire avancer l'ourlet replié sous le pied tout en cousant vers le guide recourbé du pied.



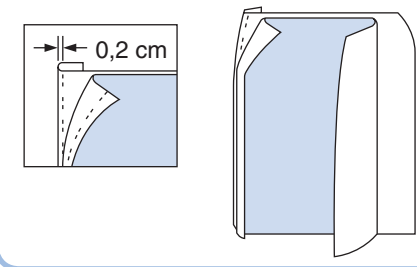
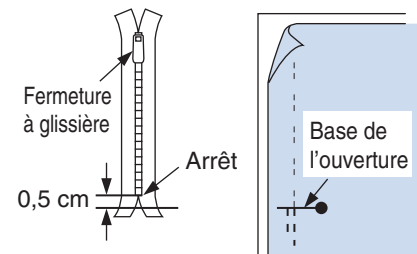
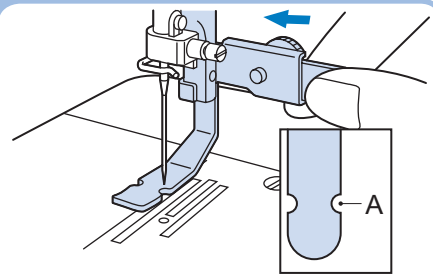
# Couture de base (3)

## ⚠ ATTENTION

- Bien éteindre la machine avant de changer le pied-de-biche.
- Pour coudre une fermeture à glissière sur un tissu extensible, utiliser la méthode d'entraînement par ergots, et régler la pression du pied en conséquence.
- Le pied pour fermeture à glissière peut également servir de guide lors de la fixation de rouleaux au tissu.

## Pied pour fermeture à glissière

- ① Fixer le pied pour fermeture à glissière.
- \* Voir « Changement du pied-de-biche (Pied pour fermetures à glissière) » à la page 43.
- ② Tourner le volant à main vers soi pour abaisser l'aiguille et régler la position du pied par rapport à l'aiguille; utiliser la vis de réglage pour faire glisser le pied de la gauche vers la droite.
- ③ Placer la fermeture à glissière à l'endroit du tissu où elle doit être cousue, et marquer la base de l'ouverture sur le tissu. Elle devra se trouver à environ 0,5 cm en dessous de l'arrêt de la fermeture à glissière. Coudre à partir du dessous de la base de l'ouverture.
- ④ Diviser la marge de la couture. Plier la marge de la couture avec la partie superposée de la fermeture à glissière au-dessous, à 0,2 cm de l'extérieur du trait.



- ⑤ Faufler la fermeture à glissière pour la fixer puis coudre le long du trait.

## ⚠ ATTENTION

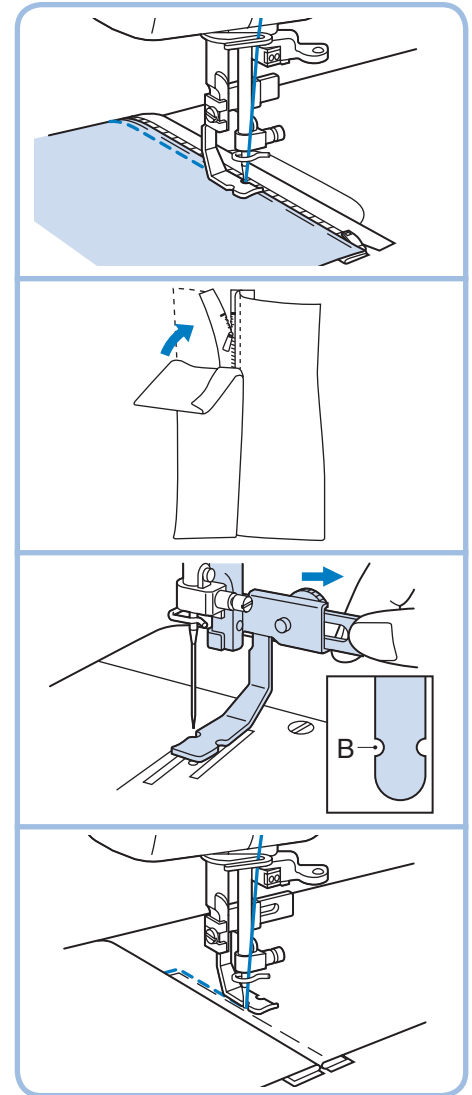
Veiller à ce que l'aiguille ne heurte pas la section métallique de la fermeture à glissière pendant la couture. L'aiguille pourrait se casser et provoquer des blessures.

- ⑥ Aligner l'ourlet replié à l'envers sur les points.

- ⑦ Changer la position du pied pour fermeture à glissière.
- ⑧ Tourner le volant à main pour abaisser l'aiguille et mettre le pied-de-biche en place.

- ⑨ Tourner l'endroit du tissu vers le haut, faufler la fermeture à glissière sur le tissu puis coudre le bord du fauillage.

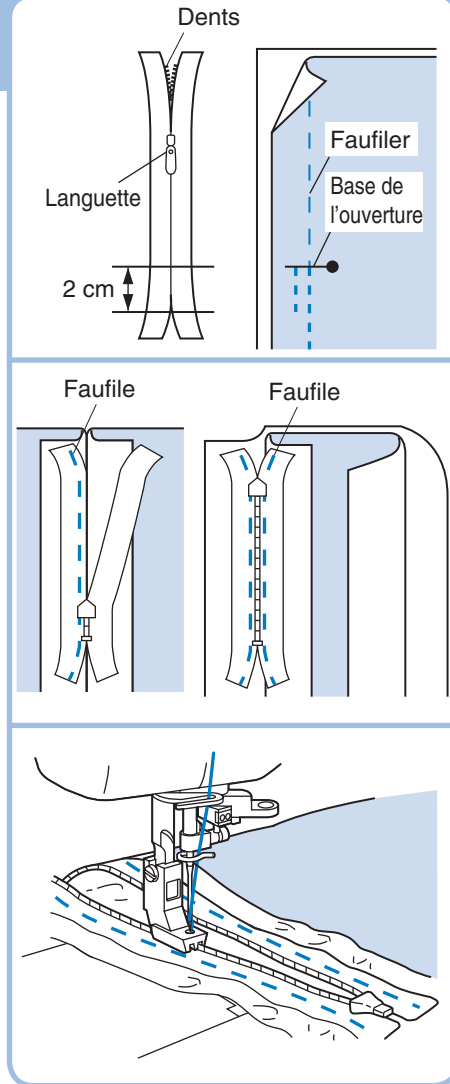
- \* Renforcer la base de l'ouverture en la cousant deux fois.
- \* Si la languette de la fermeture à glissière gêne la couture, enfoncer l'aiguille au maximum dans le tissu, relever le pied et déplacer la fermeture à glissière sur le côté.





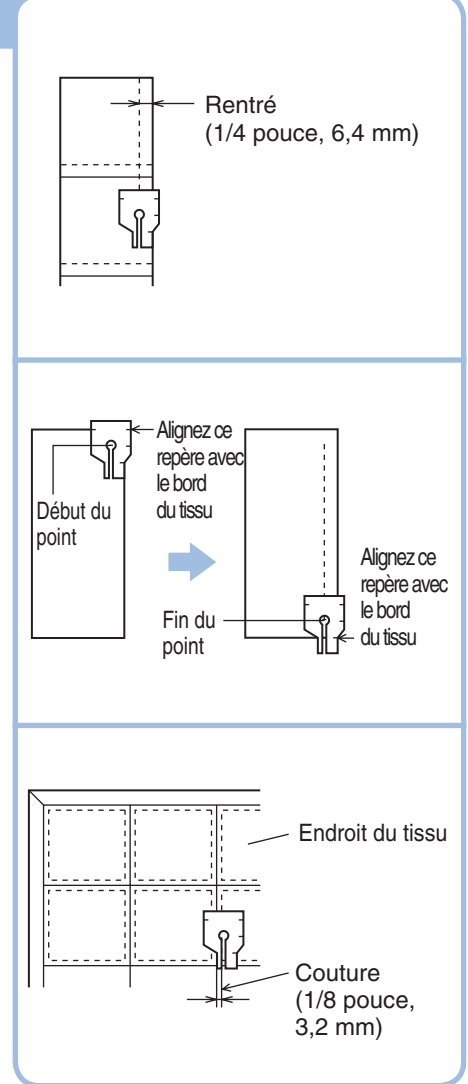
## Pied pour fermeture à glissière invisible

- ① Fixer le pied pour fermeture à glissière invisible.
  - ② Disposer la fermeture à glissière sur le tissu. Marquer la base de l'ouverture à environ 2 cm au-dessus de l'extrémité de la fermeture à glissière.
  - ③ Faufile l'emplacement de la fermeture à glissière.
  - ④ Séparer l'espace de la couture.
  - ⑤ Lorsque la fermeture à glissière est en place, faufile uniquement la marge de la couture d'un côté de la fermeture à glissière.
  - ⑥ Remonter la fermeture à glissière pour la fermer et faufile l'autre côté.
  - ⑦ Retirer le faufile à l'emplacement de la fermeture à glissière.
  - ⑧ Placer les dents de la fermeture à glissière dans la rainure du pied-de-biche, les guider pour éviter qu'elles ne tombent puis coudre jusqu'à la base de l'ouverture.
- \* Si l'on effectue la couture avec les dents de la fermeture sur la droite, le côté gauche du pied devra être aligné sur les dents gauches de la fermeture à glissière.



## Pied 1/4"

- Réglages de la machine à coudre :  
Longueur de point = 2 - 2,5 mm
- Vous pouvez piquer un rentré constant (1/4 pouce, 6,4 mm) quand vous cousez ensemble une ouate.
- Utiliser les repères de guidage pour commencer, terminer ou pivoter de 6,4 mm (1/4 pouce) du bord du tissu.
- Vous pouvez effectuer une deuxième couture droite à 3,2 mm (1/8 pouce) de la couture.

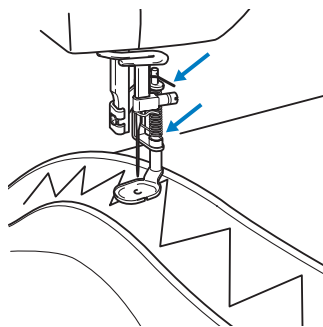


## Pied transparent pour ouatrage/matelassage

Réduire la pression du pied-de-biche et tourner le sélecteur sur la machine en abaissant les griffes d'entraînement pour le matelassage en bras libre.

### Remarque

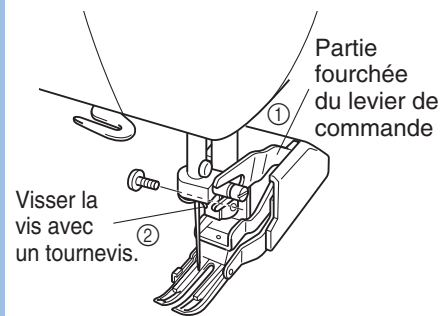
Si l'on utilise fréquemment le pied, bien appliquer une petite quantité d'huile environ une fois par mois à l'endroit indiqué par la flèche. (Si l'on a mis trop d'huile, essuyer l'excédent avec un chiffon.)



## Pied double-entraînement

### Remarque

- Ne pas appuyer à fond sur la pédale.  
Essayer de conserver une vitesse de couture lente (500 t/mn ou moins).
- Le tissu risque de ne pas être entraîné si la vitesse de couture est trop élevée.
- Les griffes d'entraînement qui font avancer le tissu risquent de ne pas avancer si la pression du pied sur le tissu est trop forte. Utiliser le sélecteur de pression du pied-de-biche pour obtenir les résultats souhaités.
- Il n'est pas recommandé ni nécessaire d'utiliser le mode d'entraînement par ergots avec le pied double-entraînement.



- ① Lorsque le levier de commande est relevé à la verticale, insérer sa partie fourchue dans la vis située à droite de la barre à aiguille, comme illustré, puis insérer la vis.
- ② Serrer la vis avec un tournevis sinon elle pourrait se desserrer en raison des vibrations du pied et du levier de commande.

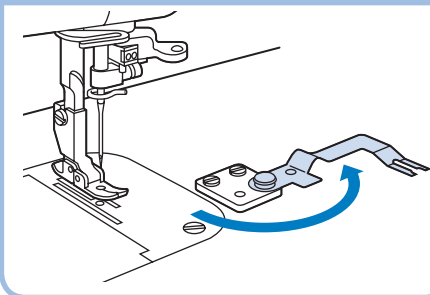
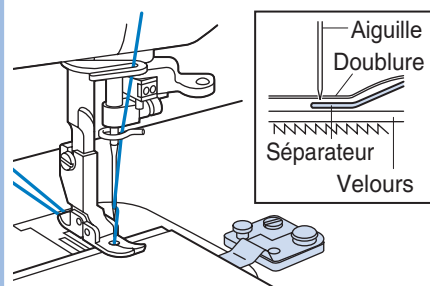
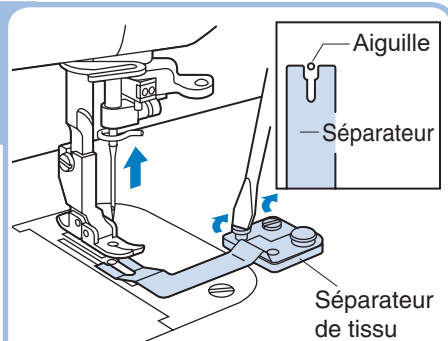
## Séparateur de tissu (pour fixer une doublure au tissu)

\* Utiliser cette technique pour coudre ensemble du velours et de la doublure.

- ① Relever l'aiguille et le pied-de-biche.
- ② Amener le séparateur sous le pied-de-biche.
- ③ Vérifier que le séparateur est placé de façon que l'aiguille traverse la fente du séparateur sans heurter la plaque.
- ④ Fixer la plaque de doublure à l'aide des vis de la plaque de doublure.
- ⑤ Régler la pression du pied-de-biche et avancer le tissu sur la position d'entraînement par ergot.
- ⑥ Maintenez les fils ensemble jusqu'à ce que l'aiguille pique dans les 2 tissus.

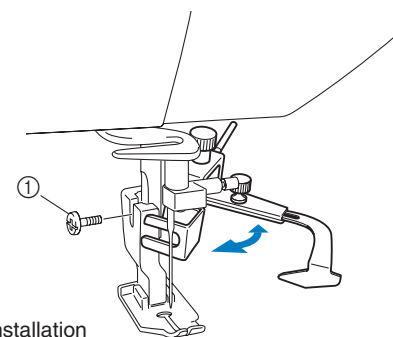
\* Coudre 2 ou 3 points de renfort.

- ⑦ Lorsqu'on ne se sert pas du séparateur, on pourra le replier sur le côté comme indiqué sur le schéma.



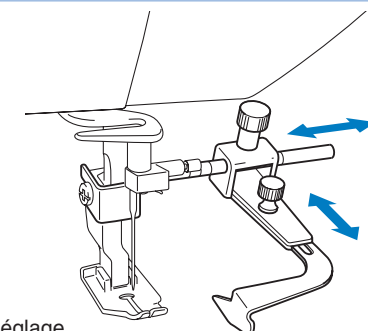
## Guide de couture

- ① Serrer la vis avec un tournevis sinon elle pourrait se desserrer en raison des vibrations.



Installation

Utilisez le séparateur pour obtenir une couture nette avec 2 épaisseurs de tissus difficiles à manipuler en les empêchant d'interagir l'un sur l'autre avant que l'aiguille ne les couse en une couture parfaite.



Réglage

## Remarque

- Relâcher légèrement la pression du pied-de-biche lorsqu'on utilise le séparateur de tissu.
- Pour ajuster la position du pied de guide de couture, tournez les vis de réglage comme indiqué par les flèches.

# Entretien de la machine à coudre

## Nettoyage de la machine

### ATTENTION

Bien éteindre la machine avant de procéder au nettoyage de la machine à coudre.

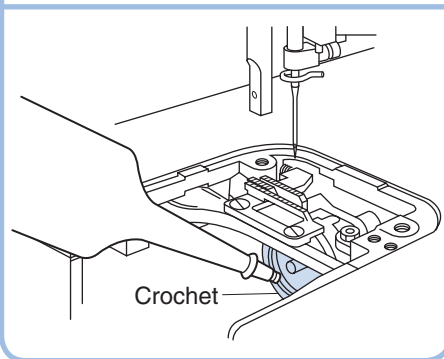
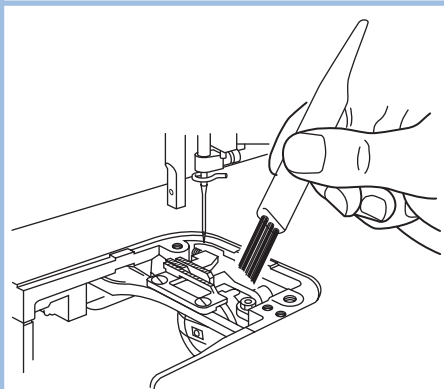
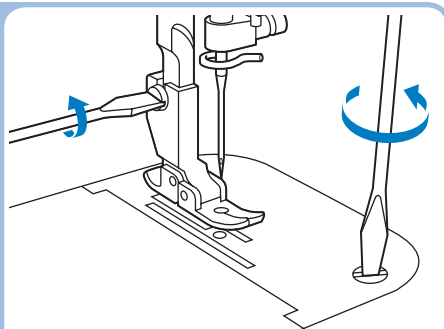
- ① Eteindre la machine.
- ② Retirer le pied-de-biche.
- ③ Retirer la plaque à aiguille.
- ④ Enlever la poussière et les restes de fil.

\* Il est possible d'enlever les restes de fil par le volet de la canette.

- ⑤ Lorsque la section sous la plaque à aiguille est nettoyée, graisser le crochet du boîtier de la canette avec de l'huile de machine à coudre.

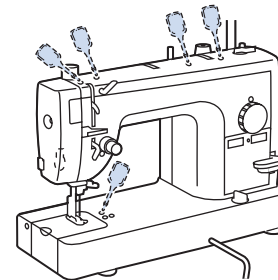
\* Utiliser un chiffon pour essuyer l'excédent d'huile sur la machine.

- ⑥ Remettre la plaque à aiguille et le pied-de-biche en place.



## Points de graissage

- Lors d'un usage journalier de la machine, appliquer quelques gouttes d'huile à chaque emplacement indiqué, deux fois par mois.
- \* Utiliser un chiffon pour essuyer toute l'huile renversée sur la machine aux alentours des points de graissage.

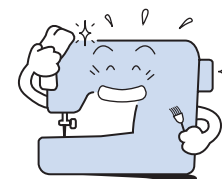


### ■ Maintenir la machine à coudre constamment propre

Enlever la saleté légère et la poussière avec un chiffon doux et sec. Si la machine est très sale, l'essuyer avec un chiffon trempé dans de l'eau tiède, ou de l'eau tiède contenant un détergent neutre. Puis, enlever tout reste de détergent et essuyer avec un chiffon sec.

### ■ Précautions

Eloigner la machine à coudre des sources de chaleur telles que fer à repasser et appareil de chauffage. Ne pas utiliser de produits chimiques tels que benzine ou diluant pour nettoyer la machine. Quand on ne se sert pas de la machine, la ranger à l'abri des rayons du soleil.



Élément	Spécification		
Vitesse de couture (maximum)	1500 points par minute		
Longueur de points (pas)	0 – 7 mm		
Course de l'aiguille	34,1 mm		
Course du levier de relevage du fil	64,7 mm		
Hauteur du pied-de-biche	Lavage du pied-de-biche	Un	6 mm
		Deux	9 mm
	Commande au genou	Plus de	10 mm

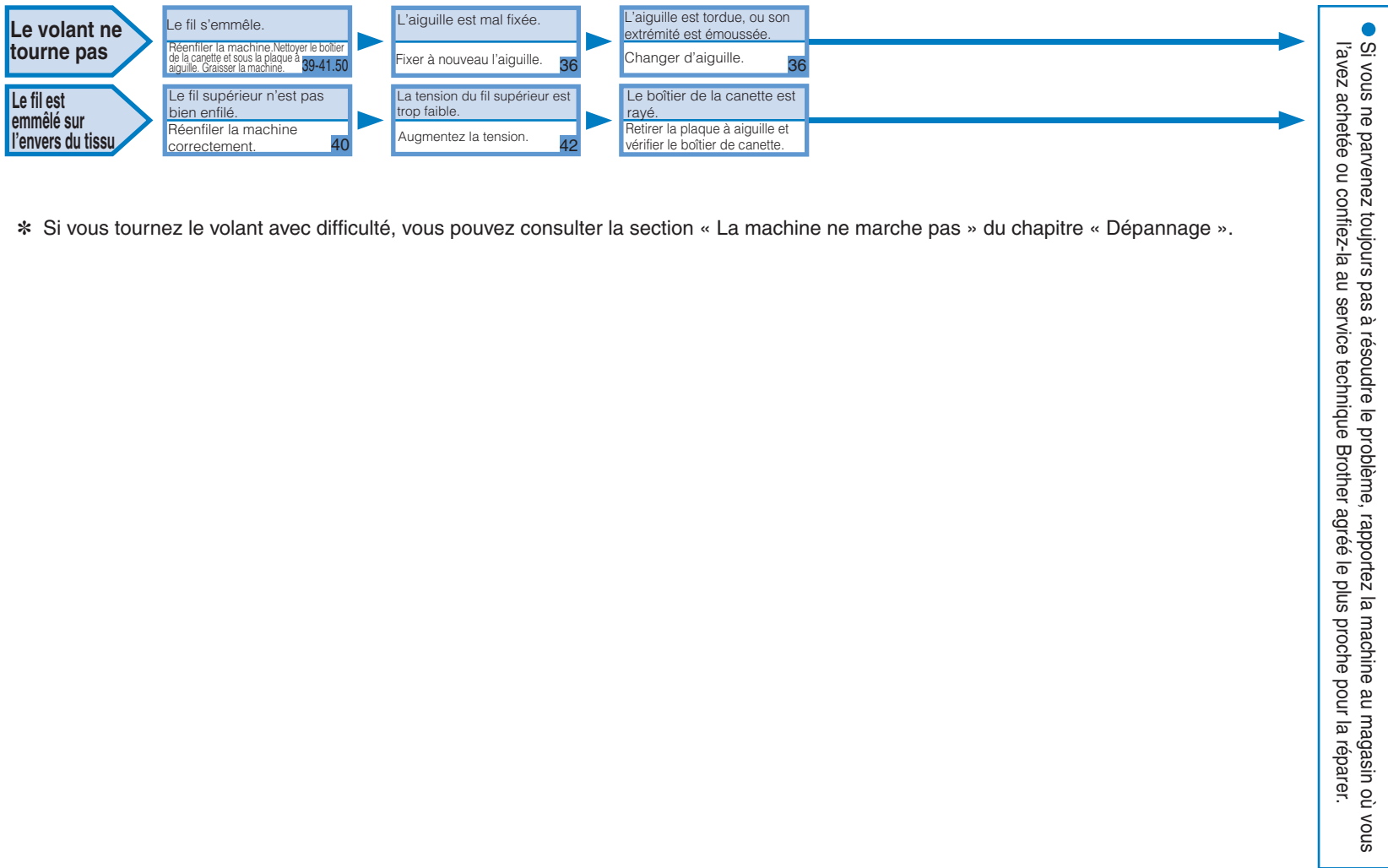
Élément	Spécification	
Hauteur des griffes d'entraînement	0,7 mm, 1,1 mm	
Hauteur d'aiguille inférieure	3 mm – 3,5 mm	
Aiguilles qu'il est possible d'utiliser	HLX5#9 – #18 SCHMETZ 130/705H #65 – #110	
Dimensions du lit	439 mm x 178 mm (17 1/4 pouces x 7 pouces)	
Poids total	11 kg (24 1/4 lb)	
Lampe de couture	Modèle 120V:	120V/15W
		Code de pièces: X53061-050
	Modèle 220-240V:	240V/15W
	Code de pièces: 205336-050	
Surface de couture	595 mm x 285 mm (23 3/8 pouces x 11 1/4 pouces)	

# Dépannage

\* Avant de faire réparer la machine à coudre, vérifiez le tableau suivant. Vous pouvez résoudre vous-même la plupart des problèmes. Pour une aide supplémentaire, le service d'aide en ligne Brother Solutions Center propose des réponses aux questions fréquemment posées et des conseils de dépannage régulièrement actualisés. Consultez notre site « <http://solutions.brother.com> ».



● Si vous ne parvenez toujours pas à résoudre le problème, rappez la machine au magasin où vous l'avez achetée ou confiez-la au service technique Brother agréé le plus proche pour la réparer.



\* Si vous tournez le volant avec difficulté, vous pouvez consulter la section « La machine ne marche pas » du chapitre « Dépannage ».



Please visit us at [\*\*http://solutions.brother.com\*\*](http://solutions.brother.com) where you can get product support and answers to frequently asked questions (FAQs).

Visitez notre site [\*\*http://solutions.brother.com\*\*](http://solutions.brother.com) pour obtenir les coordonnées du service après-vente et consulter la Foire aux questions (FAQ).