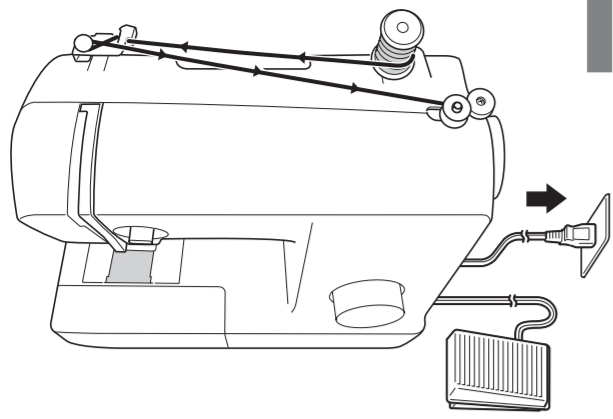


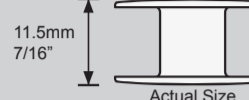


## Lower Threading



### CAUTION

Be sure to use the correct bobbin.



### CAUTION

Wind the bobbin properly, or the thread tension may loosen, and the needle may break.



1 Pull up the spool pin completely.

**CAUTION**  
If the spool is set incorrectly, the thread may tangle and the needle may break.

2 Pull the thread completely.

3 Align the notch to the projection. Slide the bobbin to the right. Click!

4 Turn on the machine. Hold the end of the thread. Trim the excess thread above the bobbin.

**CAUTION**  
Do not turn on the machine while pressing the foot controller down, otherwise you may be injured.

7-10 cm (3-4 inches)  
1 cm (1/2 inch)

When the bobbin is full, the bobbin will spin slowly.

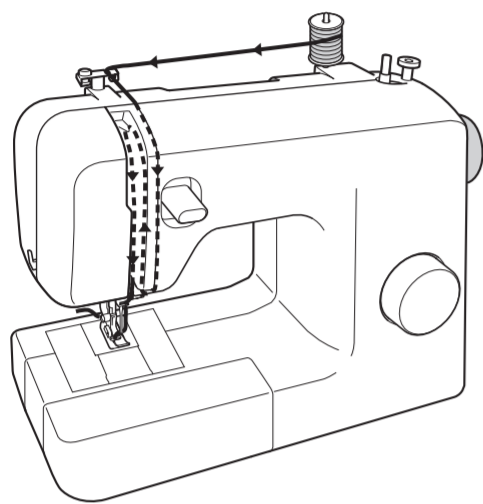
5

6 Turn off the machine.

7 Hold the bobbin down. Pass the thread through the slit guide. Tension-adjusting spring

8 Put the projection into the groove. With the end of the thread comes out from the cover toward the rear of the machine.

## Upper Threading



### CAUTION

If the upper threading is not correct, the thread may become tangled or the needle may bend or break.

1 Turn off the machine. Raise the lever to raise the presser foot.

2 Mark on the wheel points up to raise the needle.

3 Pull up the spool pin completely.

**CAUTION**  
If the spool is set incorrectly, the thread may tangle and the needle breaks.

4 Make sure that the spring in the groove catches the thread.

5 Guide the thread.

6 Pull the thread behind the guide above the needle.

7 Thread the needle from front to back.

8 Hold the end of the upper thread lightly. Slowly turn the handwheel toward you (counterclockwise) by hand to lower and then raise the needle.

9 Pull on the upper thread to draw up the lower thread.

5 cm (2 inches)

## Start sewing - Straight Stitch

### CAUTION

- To avoid being injured, watch the needle carefully while you are using the machine. Keep your hands away from moving parts.
- Do not stretch or pull the fabric during sewing, otherwise the needle may be damaged and you may be injured.
- Do not use bent or broken needles, otherwise you may be injured.
- Take care that the needle does not hit basting pins or other objects during sewing. The needle may break and you may be injured.
- Always use the correct presser foot. If you use the wrong presser foot, the needle may hit the presser foot and bend or break and you may be injured.
- When you turn the handwheel by hand, always turn it toward you (counterclockwise). Turning it the other way may cause the thread to tangle and damage the needle or fabric, and you may be injured.
- Do not start sewing without placing the fabric under the presser foot, otherwise the presser foot may be damaged.

1 Turn on the machine. Mark on the wheel points up.

**CAUTION**  
Do not turn on the machine while pressing the foot controller down, otherwise you may be injured.

2 Select a stitch. For stretch stitching (When sewing with the SS pattern) Set to SS. Mark on the wheel points up to raise the needle. Stitch length dial

3

4 Place the needle to the starting point.

5

6 Gently press down to start sewing. Take off your foot to stop sewing.

7

8 Mark on the wheel points up to raise the needle.

9 Cut the thread.

## Sewing Buttonholes

### CAUTION

Always turn off the machine before replacing the presser foot. Otherwise, injuries may occur if the foot controller is accidentally pressed and the machine starts sewing.

### 1 Preparation

1 Using tailor's chalk, mark the position and length of the buttonhole on the fabric.

2 Attach the buttonhole foot. Push the frame back until it stops with the plastic insert at the front of the frame.

**CAUTION**  
If the presser foot is not installed with the correct orientation, the needle may strike the presser foot, which may bend or break the needle and cause injury.

3 Line the chalk mark under the center of the presser foot. Match up the bar tack mark to the two red lines on the presser foot.

### 2 Making a buttonhole

Step	Sewn section	Pattern
Step 1 (Front bar tack)	a	ac

1. Set the pattern selection dial to "a".  
2. Lower the presser foot and sew 5 to 6 stitches.  
3. Stop the machine when the needle is at the left side of the stitches and then raise the needle from the material.

Step 2 (Left side)	b	b
--------------------	---	---

1. Turn the pattern selection dial to "b".  
2. Sew the length of the tailor's chalk line.  
3. Stop the machine when the needle is at the left side of the stitch and then raise the needle.

Step 3 (Back bar tack)	c	ac
------------------------	---	----

1. Turn the pattern selection dial to "c" (same position as in step 1).  
2. Sew 5 to 6 stitches.  
3. Stop the machine when the needle is at the right side of the stitch and then raise the needle from the material.

Step 4 (Right side)	d	d
---------------------	---	---

1. Set the pattern selection dial to "d".  
2. Sew the right side until the needle reaches the stitches sewn in step 1.

### 3 Securing the Stitching and Cutting the Buttonhole

1 To secure the stitching, turn the material 90 degrees counterclockwise and sew straight stitches to the end of the front bar tack of the buttonhole.

2 Remove the material from the machine. We recommend that you put pins across both ends of the buttonhole to prevent the stitches from being out.

3 Cut an opening in the middle of the buttonhole with the seam ripper tool. Be careful not to cut through any stitches.

**CAUTION**  
When using the seam ripper to open the buttonhole, do not put your hand or finger in the path of the ripper. The seam ripper may slip and you may be injured.

### Adjusting buttonholes

1 Set the stitch length dial between "F" and "1.5" and sew the buttonhole on a scrap piece of fabric. If the right side of the buttonhole is too open or tight, adjust the feeding of the material with the stitch length dial.

2 If the left side is too open or tight compared with the right side, adjust the buttonhole fine-adjustment screw. This adjustment ensures both sides of the buttonhole are the same.

## Maintenance

### Restrictions on oiling

In order to prevent damaging this machine, it must not be oiled by the user. This machine was manufactured with the necessary amount of oil applied to ensure correct operation, making periodic oiling unnecessary. If problems occur, such as difficulty turning the handwheel or an unusual noise, immediately stop using the machine, and contact your authorized Brother Service Center or the nearest authorized Brother Service Center.

### Precautions on storing the machine

Do not store the machine in any of the locations described below, otherwise damage to the machine may result, for example, rust caused by condensation.

- Exposed to extremely high temperatures
- Exposed to extremely low temperatures
- Exposed to extreme temperature changes
- Exposed to high humidity or steam
- Near a flame, heater or air conditioner
- Outdoors or exposed to direct sunlight
- Exposed to extremely dusty or oily environments

### Note

- In order to extend the life of this machine, periodically turn it on and use it. Storing this machine for an extended period of time without using it may reduce its efficiency.

### Cleaning

#### CAUTION

Make sure you unplug the machine before you clean it, otherwise you risk getting an electric shock or being injured.

1

2 Mark on the wheel points up to raise the needle.

3

4

5

6

7

8 Clean the bobbin race.

9

10

10

**CAUTION**  
Never use a bobbin case that is scratched; otherwise the upper thread may become tangled, the needle may break, or sewing performance may suffer. For a new bobbin case, contact your nearest authorized Brother Service Center.  
Make sure that you fit the bobbin case properly, otherwise the needle may break.