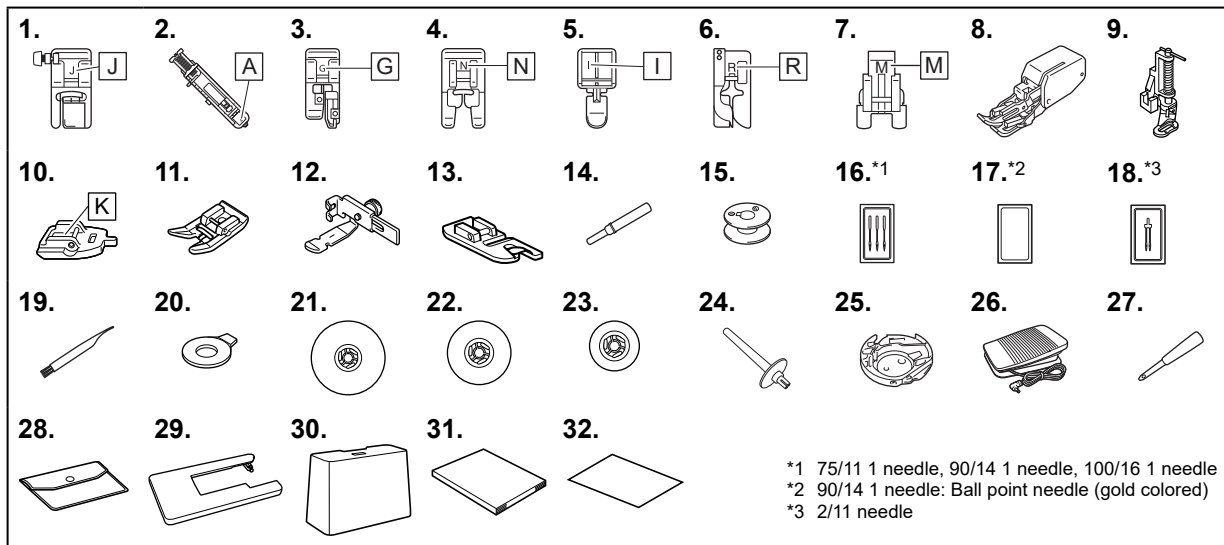


Included Accessories

Thank you for purchasing this machine.
The following accessories are included with this product.



No.	Part Name	Part Code
1	Zigzag foot "J" (on machine)	XZ5134-001
2	Buttonhole foot "A"	XC2691-133
3	Overcasting foot "G"	XC3098-031
4	Monogramming foot "N"	XD0810-131
5	Zipper foot "I"	X59370-021
6	Blind stitch foot "R"	XE2650-001
7	Button fitting foot "M"	XE2137-101
8	Walking foot	F033N
9	Quilting foot	F005N
10	Concealed zipper foot "K"	F080
11	Non stick foot	F007N
12	Adjustable zipper/piping foot	F036N
13	Narrow hemmer foot	F002N
14	Seam ripper	XZ5082-101
15	Bobbin (4) (One bobbin is on machine.)	SFB
16	Needle set	XC8834-021
17	Ball point needle	XD0360-021

No.	Part Name	Part Code
18	Twin needle	131096-121
19	Cleaning brush	X59476-051
20	Disc-shaped screwdriver	XC1074-051
21	Spool cap (large)	130012-027
22	Spool cap (medium) (on machine)	XE1372-003
23	Spool cap (small)	130013-126
24	Extra spool pin	XE2241-002
25	Bobbin case (on machine)	XF5707-101
26	Foot controller	XD0501-121 (European area) XC8816-071 (Other areas)
27	Eyelet punch	XG7791-001
28	Accessory bag	XC4487-021
29	Wide table	XG3634-101
30	Hard case	XG1251-001
31	Operation Manual	Contact your authorized Brother dealer.
32	Quick Reference Guide	

Optional Accessories

Various optional accessories are available to be purchased separately. Please visit our website for more details.
To obtain optional accessories or parts, contact your nearest authorized Brother dealer.



<https://s.brother/cokka/>

Example



1/4" piecing foot



Quilting guide



D033SX-001