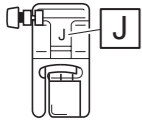
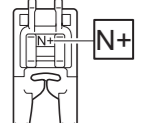
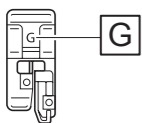
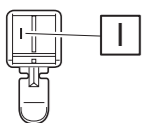
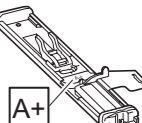
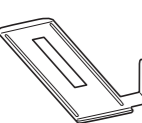
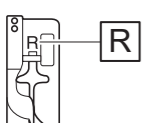
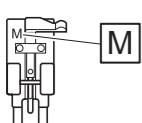
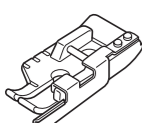

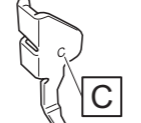
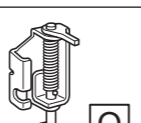

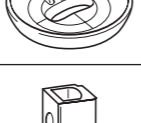
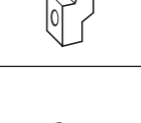
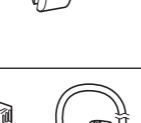


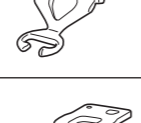



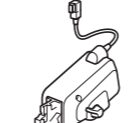
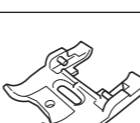
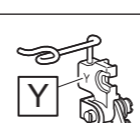
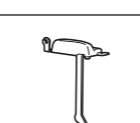
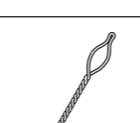
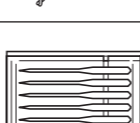
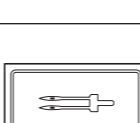
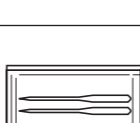

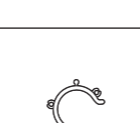
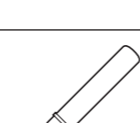
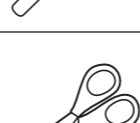
Included Accessories


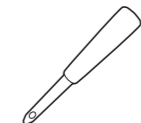

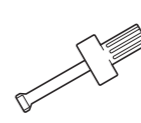


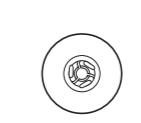



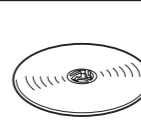
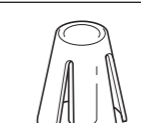
We recommend that you keep this document nearby for future reference.

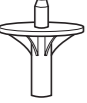



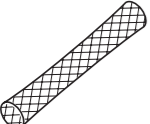

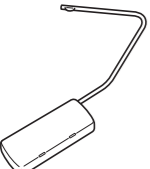


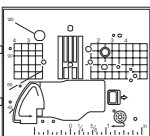


Thank you for purchasing this machine.
The following accessories are included with this product.

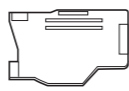
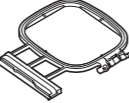
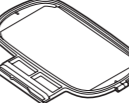

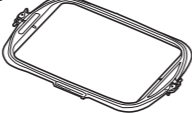
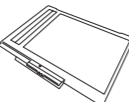


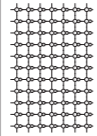
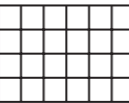


	Part Name
1. 	Zigzag foot "J" (on machine)
2. 	Advanced monogramming foot "N+"
3. 	Overcasting foot "G"
4. 	Zipper foot "I"
5. 	Buttonhole foot "A+"
6. 	Buttonhole foot stabilizer
7. 	Blind stitch foot "R"
8. 	Button fitting foot "M"
9. 	1/4" Piecing foot with guide
10. 	Straight stitch foot


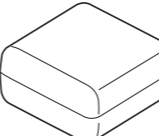
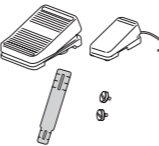
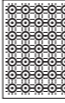
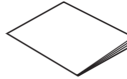
	Part Name
11. 	Free motion quilting foot "C"
12. 	Free motion open toe quilting foot "O"
13. 	Free motion echo quilting foot "E" *Attach the included adapter to use this product.
14. 	Adapter
15. 	Screw (small)
16. 	Stitch regulator
17. 	Stitch regulator quilting foot
18. 	Stitch regulator open toe quilting foot
19. 	Stitch regulator echo quilting foot
20. 	Embroidery foot "W"

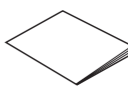
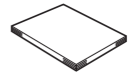
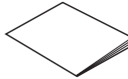
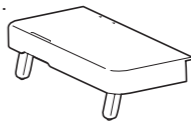

	Part Name
21. 	Compact dual feed and regular dual feed foot
22. 	Couching dual feed foot
23. 	Embroidery couching foot "Y"
24. 	Yarn guide
25. 	Yarn threader
26. 	Needle set 75/11 2 needles 90/14 2 needles 90/14 2 needles:Ball point needle (gold colored)
27. 	Twin needle 2/11 needle
28. 	Ball point needle set 75/11 2 needles: Ball point needle for embroidery HAX130EBBR
29. 	Bobbin x 10 (One bobbin is on machine.)
30. 	Bobbin clip x 10
31. 	Seam ripper
32. 	Scissors

	Part Name
33. 	Cleaning brush
34. 	Eyelet punch
35. 	Screwdriver (small)
36. 	Screwdriver (large)
37. 	Multi-purpose screwdriver
38. 	Spool cap (small)
39. 	Spool cap (medium) x 2 (One spool cap is on machine.)
40. 	Spool cap (large)
41. 	Thread spool insert (mini king thread spool)
42. 	Spool stand
43. 	Spool cap (XL) x 2
44.* 	Spool holder x 2

	Part Name
45.*	 Spool cap base × 2
46.*	 Spool felt × 2
47.*	 Ring × 4
48.	 Spool felt (on machine)
49.	 Spool net × 2
50.	 Embroidery needle plate cover
51.	 Knee lifter
52.	 Alternate bobbin case (no color on the screw)
53.	 Standard bobbin case (green marking on the screw) (on machine)
54.	 Straight stitch needle plate
55.	 Cord guide bobbin cover
56.	 Bobbin cover (with mark) (on straight stitch needle plate)

	Part Name
57.	 Bobbin cover (on machine)
58.	 Embroidery frame (medium) H 100 mm × W 100 mm (approx. H 4 inches × W 4 inches)
59.	 Embroidery frame (large) H 180 mm × W 130 mm (approx. H 7 inches × W 5 inches)
60.	 Embroidery frame H 272 mm × W 272 mm (approx. H 10-5/8 inches × W 10-5/8 inches)
61.	 Embroidery frame H 465 mm × W 297 mm (approx. H 18-1/4 inches × W 11-5/8 inches)
62.	 Scanning frame
63.	 Magnet × 6
64.	 Embroidery bobbin thread
65.	 Embroidery positioning sticker sheets × 2
66.	 White calibration stickers (solid)
67.	 Stabilizer material
68.	 Grid sheet set

	Part Name
69.	 Dual purpose stylus
70.	 Accessory case
71.	 Advanced multi-function foot controller - Main foot controller - Side pedal - Mounting plate - Mounting screw × 2
72.	 End point stickers (4 sheets, 243 stickers per sheet)
73.	 Quick reference guide

	Part Name
74.	 Product Safety Guide
75.	 Embroidery Design Guide
76.	 DISNEY DESIGN GUIDE
77.	 Support table
78.	 Dust Cover

* For the spool stand

Operation Manual can be downloaded at Brother support website:



<https://s.brother/cmdae/>

Optional Accessories

Various optional accessories are available to be purchased separately. Please visit our website for more details. To obtain optional accessories or parts, contact your nearest authorized Brother dealer.



<https://s.brother/codkb/>