

INTRODUCTION

With your PT-1880, you can create labels for any application. Select from the many frames, character sizes and styles to design beautiful custom labels. In addition, the variety of tape cartridges available allows you to print labels with different widths and exciting colours. Read this User's Guide carefully before starting and keep the User's Guide in a handy place for future reference.

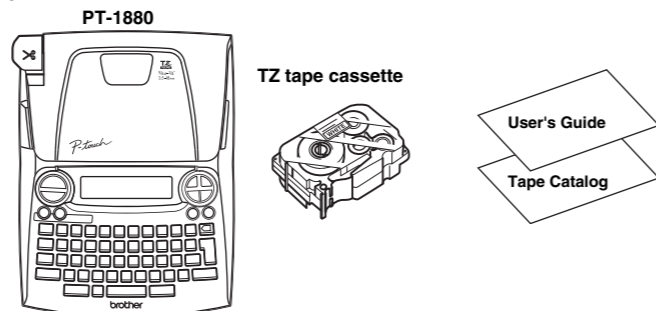
GENERAL PRECAUTIONS

- Use only Brother TZ tapes with this machine. Do not use tapes that do not have the mark.
- Do not disassemble or modify the machine/AC adapter.
- Do not clean the machine with alcohol or other organic solvents. Only use a soft, dry cloth.
- Do not touch the print head mechanism. Use a soft wipe (e.g. a cotton swab) when cleaning the print head.
- To avoid injuries, do not touch the cutter's edge.
- To prevent damage or breakage, do not press on the LCD display.
- Do not put any foreign objects into or heavy objects on the machine.
- Do not leave any rubber or vinyl on the machine for an extended period of time, otherwise the machine may be stained.
- Do not get the machine/AC adapter/power plug wet, such as by handling them with wet hands or spilling beverages on to them.
- Do not expose the machine/AC adapter to extremely high temperatures or high humidity. Never leave them on the dashboard or in the back of your car, near heaters or other hot appliances. Keep them out of both direct sunlight and rain.
- Avoid using the machine in extremely dusty places.
- Depending on the environmental conditions and the applied settings, some characters or symbols may be difficult to read.
- Do not pull on the tape being fed from the P-touch labeler, otherwise the tape cassette or P-touch labeler may be damaged.
- Do not attempt to cut the tape while printing or feeding since this will damage the tape.
- Do not try to print labels using an empty tape cassette set in the P-touch labeler. Doing so will damage the print head.
- Remove the batteries and disconnect the AC adapter if you do not intend to use the machine for an extended period of time. (Note: When power is disconnected for more than five minutes, all text, format settings and any text files stored in the memory will be cleared.)
- Do not use old and new batteries together or mix alkaline batteries with other type batteries, or set the positive and negative end in the wrong position. Otherwise, the batteries may leak or be damaged.
- Do not use metallic articles, such as tweezers or metallic pen, when exchanging the batteries.
- Always use the specified voltage and the suggested AC adapter AD-5000ES (For Australia, New Zealand only)/AD-24ES for this machine to prevent any damage or failure.
- To prevent fire or electric shock, make sure that the plug of the AC adapter is fully inserted into the power outlet. Do not use an outlet that is loose.

1 PREPARATION

Unpacking Your P-touch Labeler

Check that the package contains the following before using your P-touch labeler.



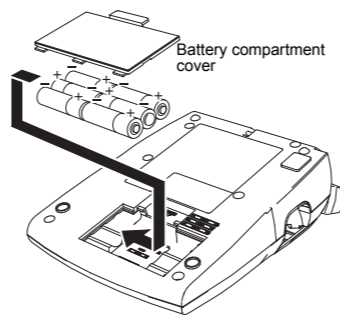
Included items may differ by distribution.

Power Supply

Make sure that the power is turned off when replacing batteries.

- 1 Turn the machine over and remove the battery compartment cover. If batteries are already installed, remove them.

- 2 Insert six new AA-size alkaline batteries (LR6), making sure that their poles point in the correct directions. Always replace all six batteries at the same time using brand new ones.



- 3 Attach the battery compartment cover by inserting the three hooks at the bottom into the slots on the machine, then pushing down firmly on the cover until it snaps into place.

When using optional AC adapter (model AD-5000ES (For Australia, New Zealand only)/AD-24ES)

- 1 Insert the plug on the adapter cord into the adapter jack on the right side of the machine.
- 2 Insert the plug into the nearest standard electrical outlet.

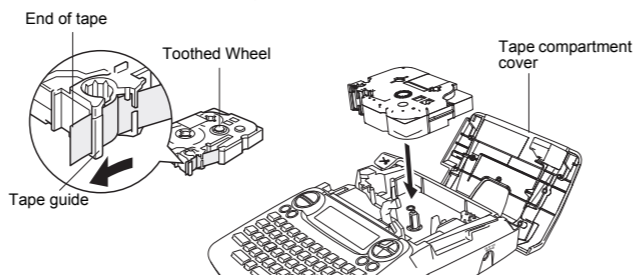
For memory back up, we recommend using AA-size alkaline batteries (LR6) together when using the AC adapter.

Tape Cassettes

Make sure that the power is turned off when replacing a tape cassette.

- 1 Open the tape compartment cover by lifting up both sides at the same time. If a tape cassette is already installed, remove it by pulling it straight up.

- 2 Insert a tape cassette, making sure that it snaps into place.

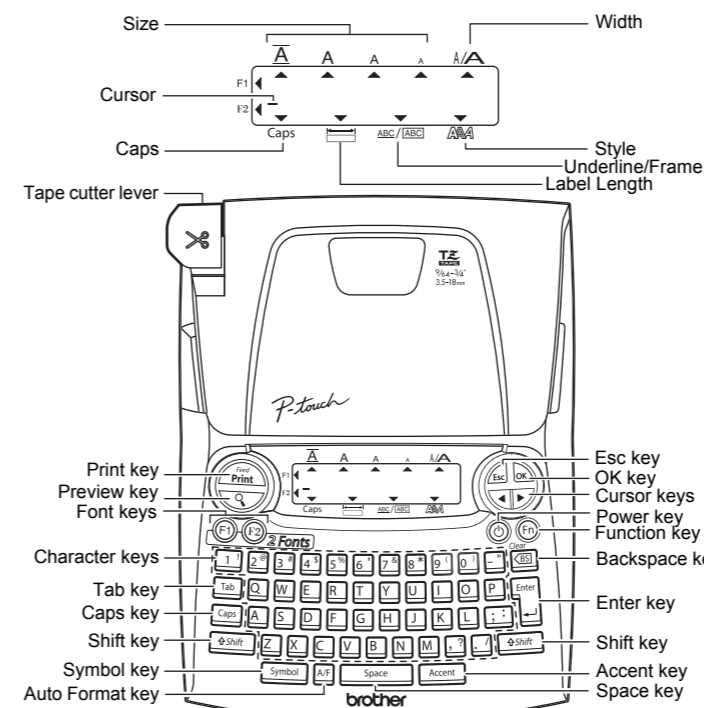


- Make sure that the end of the tape feeds under the tape guides.
 - If the ink ribbon is loose, use your finger to wind the toothed wheel in the direction of the arrow on the cassette.
- After you have installed the tape, feed the tape (+) once and then push in the tape cutter lever to cut the tape.

- 3 Securely close the front cover, making sure that it snaps into place.

2 OPERATION

Keyboard & LCD



- The LCD shows one row of 15 characters; however, the text that you enter can be up to 80 characters in length, which will scroll across the display.
- Use with Shift key to go to beginning/end of the text.

Turning the Power On



Setting Language (English/Spanish/French/Portuguese) (Fn + D)



Setting unit (mm/inch) (Fn + U)



- The machine automatically turns off if no key is pressed within 5 minutes.
- To cancel operations, press .
- To initialize the P-touch labeler back to factory settings, turn off the machine and then while holding down and , press to turn the machine back on. Finally, release and .

3 REFERENCE

Troubleshooting

Error message

Message	Cause/Remedy
Battery Weak!	The batteries are weak. Replace them with new ones.
Check Battery!	The installed batteries are about to run out.
Invalid!	<ul style="list-style-type: none"> • There is no text above the cursor when you set Numbering. • Invalid character is selected for Numbering. • Invalid number is selected for Tab Length or Label Length.
No Text!	<ul style="list-style-type: none"> • You tried to print a text file when there is no data stored in the memory. • The Print key is pressed when no text is entered. • You tried to set Copies, Numbering or Mirror when no text is entered.
Line Limit!	<ul style="list-style-type: none"> • You tried to enter a 3rd line by pressing Enter key. • You tried to print a 2 line text when 3.5 mm or 6 mm tape is installed.
No Cassette!	You tried to print a label when there is no cassette installed.
Cutter Error!	Tape cutter lever is used in the middle of printing process.
Full!	The maximum number of characters (80 characters) have already been entered.
Text Too Long!	The text length exceeds the selected label length or the selected Auto Format setting length.
No Frame OK?	Printing on 3.5 mm tape with invalid Frame setting ON. (Select to print with no Frame, to cancel.)

What to do when...

Problem	Solution
The display stays blank after you have turned on the machine.	<ul style="list-style-type: none"> • Check that the batteries are correctly inserted. • If the batteries are weak, replace them. • Check that the AC adapter is correctly connected.
When the label is printed out, there is too much margin (space) on both sides of the text.	Refer to "Setting [Margin] (Tape Margin)" on this users guide and select [Half] or [Narrow] to have smaller margins for your label.
The machine does not print, or the printed characters are not formed properly.	<ul style="list-style-type: none"> • Check that the tape cassette has been inserted correctly. • If the tape cassette is empty, replace it. • Check the tape compartment cover is properly closed.
The setting has cleared on its own.	<ul style="list-style-type: none"> • The batteries may be weak. Replace them. • When power is disconnected for more than five minutes, all text & formats in the display will be lost. Language and unit settings will also be cleared.
A blank horizontal line appears through the printed label.	<ul style="list-style-type: none"> • There maybe some dust on the print head. Remove the tape cassette and use a dry cotton swab to gently wipe the print head with and up-and-down motion. • The print head can be cleaned more easily if the optional print head cleaning cassette (TZ-CL4) is used.
The machine has "locked up" (i.e., nothing happens when a key is pressed, even though the machine is on.)	<ul style="list-style-type: none"> • Turn off the machine, and then while holding down and , press to turn the machine back on. Finally, release and . • Note: The text and formats in the display are erased. Also, the language and unit settings will be cleared.
The power turns off when you try to print.	<ul style="list-style-type: none"> • The batteries may be weak. Replace them. • Check that the batteries are correctly inserted.
The tape does not feed properly or the tape gets stuck inside the machine.	<ul style="list-style-type: none"> • Check that the end of the tape feeds under the tape guides. • The cutter lever is used while printing. Do not touch the cutter lever during printing.
All text and format settings need to be cleared to create a new label.	Press while holding down , and select [Text&Format].

Specifications

Item	Specification
Dimensions	167 mm (W) × 215 mm (D) × 57 mm (H)
Weight	570 g (without batteries and tape cassette)
Power supply	Six AA-size alkaline batteries (LR6) or optional AC adapter (model AD-5000ES (For Australia, New Zealand only)/AD-24ES)
Tape cassette	Brother TZ tape (width) : 3.5 mm, 6 mm, 9 mm, 12 mm, 18 mm

Accessories (Supplies may differ by distribution.)

Accessories	Stock No.
Tape Cassettes	See the attached "Tape Catalog".
AC Adapter	model AD-5000ES (For Australia, New Zealand only)/AD-24ES
Carrying Case	CC3500

1 MAKING TEXT

Setting Font

F1: Helsinki image HELSINKI
 F2: Bohemia image BOHEMIA

Switching Upper Case/Lower Case

Caps → [A] [B] [C] [D]
 Upper case (Caps ON) Lower case (Caps OFF)
 ABCD_ abcd_

Making Two Line Text

Move the cursor to where the second line starts and press .
 The return mark (↵) appears in the text to indicate the end of the first line and the beginning of the second.
 Use either 9 mm, 12 mm, or 18 mm wide tape for two line text.

Display Label image
 ABCDEF_ ABC DEF

Entering Symbols

Symbol → [.] [!@#] [01/2]

Group	Symbols	Group	Symbols
1	. , : ; ' ' .	7	\$ ¢ € £ ¥ °
2	@ - & - _ \ /	8	α β γ δ μ Ω
3	# % ? ! ' i *	9	² ³ ² ³ ★ ● ○
4	+ - × ÷ ± =	10	± ~ ≡ ⇄ ⊕ ⊗ ⊞
5	() [] < >	11	☹ ☺ ☻ ☼ ☽ ☿
6	→ ← ↑ ↓	12	☎ ☎ ☎ ☎ ☎ ☎

- To go to the next group, press .
- To cancel operations, press .

Entering Accented Characters

[A] ~ [Z] → [Accent] → [Accent] → [Enter] / [Esc]

	Accented Characters	Accented Characters
A	Á Â Ã Ä Å Æ Ā Ā Ā Ā	a á â ã ä å ã ä å ã ä
C	Č Ć Ć	c č ć
D	Đ Đ	d đ đ
E	É Ê Ë Ì Í Î Ï	e é ê ë ì í î ï
G	Ĝ Ĝ	g ĝ ĝ
I	Ī Ī Ī Ī Ī	i ī ī ī ī ī
K	Ķ Ķ	k ķ ķ
L	Ł Ł Ł Ł	l ł ł ł
N	Ñ Ñ Ñ Ñ	n ñ ñ ñ ñ
O	Ó Ô Õ Ø Ö Œ Ó	o ó ô õ ø ö œ ó
R	Ř Ř Ř	r ř ř ř
S	Š Š Š Š Š	s š š š š š
T	Ť Ť Ť	t ť ť ť
U	Ú Ú Ú Ú Ú	u ú ú ú ú ú
Y	Ý Ý Ý	y ý ý
Z	Ž Ž Ž	z ž ž ž

- To cancel operations, press .
- The order of accented characters differ by the selected LCD language.

To Clear

To delete a character one by one .
 To delete all text → [Clear] → [Text Only].
 To delete all text & format → [Clear] → [Text & Format].
 You can also go into [Text & Format] / [Text Only] by pressing + .

2 DESIGNING LABELS

Setting [Size]

[Size] → [Large] [Medium] [Small] [MAX]
 J.SMITH J.SMITH J.SMITH J.SMITH

Automatically adjusts the text size according to the tape width.
 Select MAX to print with maximum text size when using 18 mm tape, all texts are in upper case, the Style setting is [Normal], and the Underline/Frame setting is [Off].

Setting [Width]

[Width] → [x2] [x1/2]
 J.SMITH J.SMITH J.SMITH

Setting [Style] (Vertical)

[Style] → [Vertical]
 [Normal] [Bold] [Outline]
 J.SMITH J.SMITH J.SMITH
 [Shadow] [Italic] [Italic Bold]
 J.SMITH J.SMITH J.SMITH
 [Italic Out] [Italic Outline] [Italic Shadow] [Vertical]
 J.SMITH J.SMITH J.SMITH

Setting [Underline/Frame]

[Underline/Frame] → [Underline]
 [Off] [Underline] [Round] [Candy] [Callout]
 ABC ABC ABC ABC ABC
 [Banner] [Wooden] [Vine] [Hand] [Flower]
 ABC ABC ABC ABC ABC

Setting [Label Length] (Auto / 30 - 300mm)

[Label Length] → [30mm]
 You can also select the length by entering the length with Num keys.
 To return to [Auto], press .

Setting [Tab]

You can make aligned texts by setting tabs.
 Example: To set a tab between "ABC" and "D"
 The cursor should be positioned where you set a tab.
 Display Label image
 ABCD ABC D

Setting [Tab Length] (Auto / 0 - 100mm)

[Tab Length] → [25mm]
 You can also select the length by entering the length with Num keys.
 To return to [Auto], press .

Setting [Auto Format]

You can choose label length from six formats to create labels for various applications.

Application	Length	Application	Length
VHS Spine	140 mm	CD Case Spine	113 mm
MiniDV Spine	42 mm	File Tab	82 mm
Audio Tape	89 mm	Divider Tab	42 mm

3 PRINTING LABELS

Text Preview

You can preview the text before printing.

 • The LCD shows the whole text and the label length (mm/inch), then returns to the original text.
 • Only the text can be previewed, not the font, style, size, underline/frame or any additional features.

Feeding (Tape Feed)

+
 • The machine will feed 25 mm of tape, which may be needed when installing a new tape cassette or when using the [Chain Print] feature.

Printing

• To cut off the label, push in the tape cutter lever on the upper-left corner of the machine.
 • To prevent damage to the tape, do not try to cut while the message "Print" or "Feed" is displayed.

Setting [Margin] (Tape Margin)

[Margin] → [Full]
 [Full]/[Half]/[Narrow] is for leaving equal margins on both sides of the text.
 NOTE: Cut along the printed dots (·) with scissors so the text is centered in the label.
 Full Half Narrow
 ABC : ABC : ABC
 ← 25mm → ← 25mm → 12mm 12mm 4mm 4mm

[Chain Print] is for printing more than 1 copy of a label with minimum margin <e.g. 1>. You can also create a label containing text in various styles; print a text in one style, and before feeding, enter the second text in another style <e.g. 2>. FEED THE TAPE BEFORE USING THE CUTTER (see Feeding/Printing). Otherwise A PART OF THE TEXT MAY BE CUT OFF. Do not try to pull the tape since this may damage the tape cassette.

Chain Print
 <e.g. 1> ABC ABC ABC (feed & cut)
 <e.g. 2> ABC ABC DEF (feed & cut)

Using [Print Option]

[Copies]
 You can print up to 9 copies of each label.
 → [Copies] →
 Set 1-9? 5

You can also select the number of copies by entering with Num keys.
[Numbering]
 You can print many copies of the same text while increasing a selected number by 1 after each label is printed.

Example: To print copies of a label containing a serial number (0123, 0124 and 0125)
 [0123] → →
 [Numbering] → Set 3-9? 5

Select the highest number you wish to be printed when setting the number.

[Mirror]

→ [Mirror] → [Mirror Print?]

Use a clear tape in [Mirror], so the labels can be read correctly from the opposite side when attached on glass, windows or other transparent surfaces.

4 COMPLETED LABELS

Ken@P-touch.com
 Mary.B
 Larry Sampson
 <Marketing Dept.>
 05(8652)-6491
 DO NOT TOUCH
 My Favorite Music
 Best Hits of the 90's

USEFUL FUNCTIONS

Memory (File)

You can save your original labels on to your machine. Up to five labels can be saved and recalled for printing whenever you desire. You can also edit and overwrite the stored label.

To Save:

[Save] → *3*

To Print:

[Print] → *3* P-touch

To Open:

[Open] → *3* P-touch

If you try to store a label when there is already a label stored to that number, a message "Overwrite?" will appear. Press to save your new label. Press to cancel.

Function Shortcuts

In addition to the basic steps to search for a function, the PT-1880 provides you with function shortcuts so you can easily jump to a frequently used function just by pressing and the shortcut key shown in the table below. To confirm, press .

Key	Function	Key	Function
	[Size]		[Margin]
	[Width]		[Tab Length]
	[Style]		[Print Option]
	[Underline/Frame]		[Language]
	[File]		[Unit]
	[Label Length]		[Clear]

For Australia Only:
Support - For technical support of your Brother Product other than what you can resolve through the User's Guide, please visit our Web Site or Solutions Web Site (see below) to find an answer to FAQs/Troubleshooting, locating Drivers & Software.
 Alternatively, please contact the Product Support Centre for any customer care/technical support enquiry.

To contact Brother International (Aust) Pty Ltd for support on a Brother product please see the details listed below:

Product Support Centre: **Australia**
 Brother International (Aust) Pty Ltd
 Phone: 02 8875 6000
 Fax: 02 9870 7223
 Solutions Site: <http://solutions.brother.com>
 Web Site: www.brother.com.au
 Email: To submit an e-mail enquiry, visit www.brother.com.au go to **Service and Support** area and follow the prompts.

Our Technical Support Consultants are available 5 days a week by phone during the hours of 8.30am to 5.00pm (EST/EDST) Monday to Friday.