

Safety Precautions

⚠ WARNING Indicates a potentially hazardous situation which, if not avoided, could result in death or serious injuries.

Follow these guidelines to avoid the risk of fire, burns, injury, electric shocks, rupture, overheating, abnormal odours or smoke.

- Always use the specified voltage and the included AC adapter (AD-E001) for the P-touch to prevent any damage or failure.
- Do not touch the P-touch during a lightning storm.
- Do not use the P-touch/AC adapter in places of high humidity such as bathrooms.
- Do not overload the power cord.
- Do not place heavy objects on, or damage the P-touch, power cord or plug. Do not forcibly bend or pull the power cord. Always hold the AC adapter when disconnecting from the power socket.
- Make sure that the plug is fully inserted in the power socket. Do not use a socket that is loose.
- Do not allow the P-touch/AC adapter/power plug/batteries to get wet, for example, by handling them with wet hands or spilling beverages on to them.
- Do not disassemble or modify the P-touch/AC adapter/batteries.
- Do not allow a metal object to contact both the plus and minus ends of a battery.
- Do not use sharp objects, such as tweezers or a metallic pen, to change the batteries.
- Do not throw the batteries into fire or expose to heat.
- Disconnect the AC adapter, remove batteries immediately and stop using the P-touch if you notice abnormal odour, heat, discolouration, deformation or anything unusual while using or storing it.
- Do not use a damaged or leaking battery as the fluid may get on your hands.
- Do not use a deformed or leaking battery or one whose label is damaged. There is a possibility of damaging the P-touch.
- Since loss of eyesight may result if leaked fluid from batteries gets into your eyes, immediately rinse your eyes with a large amount of clean water, and then seek medical attention.

⚠ CAUTION Indicates a potentially hazardous situation which, if not avoided, may result in minor or moderate injuries.

Follow these guidelines to avoid personal injury, liquid leakage, burns or heat.

- When the P-touch is not being used, store it out of the reach of children. In addition, do not allow children to put any P-touch parts or labels in their mouths. If any object has been swallowed, seek medical attention.
- Do not touch metal parts around the print head immediately after printing.
- Do not touch the cutter blade. (See Unpacking the P750W and Parts Description.)
- If leaked fluid from batteries gets on your skin or clothes, immediately rinse them with clean water.
- Remove the batteries and disconnect the AC adapter if you do not intend to use the P-touch.
- Do not use any batteries other than those specified. Do not use combinations of old and new batteries or combinations of different types, different charging levels, different manufacturers or different models. Do not insert a battery with its plus and minus ends reversed.
- Do not drop or hit the P-touch/AC adapter.
- Do not put your finger inside the P-touch when you close the cassette cover.
- Before using Ni-MH rechargeable batteries, carefully read the instructions for the batteries and battery charger, and be sure to use them correctly.
- When using Ni-MH rechargeable batteries, charge the batteries with a specialised battery charger before using the batteries.
- Do not put your finger inside the tape exit slot. You could be injured by the cutter blade.

General Precautions

- Depending on the location, material, and environmental conditions, the label may unpeel or become irremovable, the colour of the label may change or be transferred to other objects. Before applying the label, check the environmental conditions and the material.
- Do not use the P-touch in any way or for any purpose not described in this guide. Doing so may result in accidents or damage to the P-touch.
- Use Brother TZe tapes with the P-touch.
- Only use a soft, dry cloth to clean the P-touch; never use alcohol or other organic solvents.
- Use a soft wipe to clean the print head; never touch the print head with your fingers.
- Do not put any foreign objects into the tape exit slot, the AC adapter connector or battery compartment, etc.
- Do not place the P-touch/batteries/AC adapter in direct sunlight or rain, near heaters or other hot appliances, in any location exposed to extremely high or low temperatures (e.g., on the dashboard or in the back of your car), high humidity, or in dusty locations.
- Do not try to print if the cassette is empty; it will damage the print head.
- Do not pull the tape while printing or feeding; it will damage the tape and the P-touch.
- Any data stored in memory will be lost due to failure or repair of the P-touch, or if the batteries expire.
- The P-touch is not equipped with a charging feature for rechargeable batteries.
- The length of the printed label may differ from the displayed label length on the computer.

- A protective clear plastic sticker is placed over the top panel during manufacturing and shipping. This sticker should be removed prior to use.
- When printing multiple copies of a label or using the numbering function printing, the P-touch will not detect the end of the tape cassette and will continue operating.
- When using Heat Shrink Tube, the printing area will be smaller than when using normal tape.
- If you connect a mobile device to the P-touch using the NFC function without installing a specialised application, the Apps section of Google Play™ may be displayed on your mobile device automatically. You may be charged a communication fee for this service.

CAUTION

RISK OF EXPLOSION IF BATTERY IS REPLACED BY AN INCORRECT TYPE.
DISPOSE OF USED BATTERIES ACCORDING TO THE INSTRUCTIONS.

Open Source Licensing Remarks

This product includes open-source software.

To see the open source licensing remarks, please go to the manual download selection on your model's home page of Brother support website at support.brother.com

Trademarks and Copyrights

Microsoft, Windows Vista, Windows Server and Windows are either registered trademarks or trademarks of Microsoft Corp. in the United States and/or other countries.

Apple, Macintosh, Mac OS, iPhone, iPad and iPod are trademarks of Apple Inc., registered in the United States and other countries.

Google Play is a trademark of Google Inc.

Wi-Fi and Wi-Fi Alliance are registered trademarks of the Wi-Fi Alliance.

The names of other software or products used in this document are trademarks or registered trademarks of the respective companies that developed them.

Each company whose software title is mentioned in this manual has a Software Licence Agreement specific to its proprietary programs.

Any trade names and product names of companies appearing on Brother products, related documents and any other materials are all trademarks or registered trademarks of those respective companies.

Accessories

Accessories	
Tape cassette	Brother TZe tape (width) 3.5 mm, 6 mm, 9 mm, 12 mm, 18 mm, 24 mm
AC Adapter	AD-E001
Rechargeable Li-ion Battery	BA-E001

Please see the Brother support website (support.brother.com) for the latest OS compatibility information.

Compliance Statement of Wireless equipment (Thailand only)

This telecommunication equipment conforms to NTC technical requirement.

Rechargeable Li-ion Battery

⚠ DANGER

Indicates an imminently hazardous situation which, if the product is handled without following the warnings and instructions, will result in death or serious injuries.

Carefully observe the following precautions for the rechargeable Li-ion battery (hereafter referred to as "rechargeable battery"). If these precautions are not followed, overheating, leaking, or cracks in the battery may result in an electrical short, explosion, smoke, fire, electric shock, injury to yourself or others, or damage to the product or other property.

- Use the rechargeable battery only for its intended purpose. The P-touch and rechargeable battery are designed to function exclusively with each other. Do not insert a different rechargeable battery into the P-touch or insert the rechargeable battery into a different P-touch, otherwise fire or damage may result.
- To charge the rechargeable battery, insert the rechargeable battery into the P-touch, and then use the AC adapter designed specifically for this P-touch.
- DO NOT charge the rechargeable battery near a fire or in direct sunlight. This could activate the protection circuitry, which is designed to prevent danger from high heat. Activation of the protection circuitry could cause charging to stop, charging to occur with excessive current or voltage if the protection circuitry fails, or an abnormal chemical reaction within the battery.
- When charging the rechargeable battery, use only a battery charger designed specifically for the rechargeable battery.
- DO NOT allow wires or other metal objects to come into contact with the terminals of the rechargeable battery. Do not carry or store the rechargeable battery with metal objects such as necklaces or hairpins. This could cause an electrical short, and cause metal objects to overheat.
- DO NOT use or leave the rechargeable battery near fire, heaters, or other high temperature (above 80°C) locations.
- DO NOT allow the rechargeable battery to come into contact with or to be immersed in water.
- DO NOT use the rechargeable battery in corrosive environments, such as areas where salty air, salt water, acids, alkalis, corrosive gases, chemicals, or any corrosive liquid are present.
- DO NOT use the rechargeable battery if it is damaged or leaking.
- DO NOT directly solder any connections to the rechargeable battery. This could cause internal insulation to melt, gas to be emitted, or safety mechanisms to fail.
- DO NOT use the rechargeable battery with the polarity (+) (-) reversed. Check the orientation of the rechargeable battery before inserting it, and do not try to force the rechargeable battery into the P-touch. Charging the rechargeable battery with the polarity reversed could cause an abnormal chemical reaction within the rechargeable battery or abnormal current flow during discharge.
- DO NOT directly connect the rechargeable battery to a household electrical supply.
- Liquid (electrolyte) leaking from the P-touch or rechargeable battery may indicate that the rechargeable battery is damaged. If the rechargeable battery leaks, immediately stop using the P-touch, unplug the AC adapter, and isolate the P-touch by putting it in a bag.
- Do not touch the electrolyte. If electrolyte gets in the eyes, do not rub the eyes. Immediately rinse liberally with tap water or other clean water and seek the advice of a medical professional. If left alone, the electrolyte could cause eye damage. If electrolyte contacts your skin or clothing, immediately rinse them with water.
- DO NOT put the rechargeable battery, or a P-touch with the rechargeable battery installed, into a microwave oven or a high pressure container.
- DO NOT leave the rechargeable battery without power in the main unit for a long period of time. This could shorten the life of the rechargeable battery or lead to an electrical short.
- If the P-touch can only be used for a short period of time, even though the rechargeable battery is fully charged, the rechargeable battery may have reached the end of its service life. Replace the rechargeable battery with a new one. When removing and replacing the rechargeable battery, cover the terminals of the old rechargeable battery with tape to avoid creating a short in the battery.
- DO NOT disassemble, modify, or attempt to repair the rechargeable battery.
- DO NOT dispose of the rechargeable battery in fire or cause it to overheat. This could cause the internal insulation to melt, gas to be emitted, or safety mechanisms to fail. Additionally, the electrolyte solution could catch fire.
- DO NOT puncture the rechargeable battery with any objects, subject it to severe shocks or throw it. Damage to the rechargeable battery's protection circuit could cause the rechargeable battery to be recharged at an abnormal current/voltage or cause an abnormal chemical reaction within the rechargeable battery.
- DO NOT incinerate the rechargeable battery or dispose of it with household waste.

■ Tips on Using the Rechargeable Li-ion Battery

- Charge the rechargeable Li-ion battery before use. Do not use it before it is charged.
- The rechargeable Li-ion battery charging can take place in 5°C-35°C environments. Charge the rechargeable Li-ion battery in an environment in this temperature range. If the surrounding temperature is out of this range, the rechargeable Li-ion battery will not be charged, and the battery indicator will remain lit.
- If the P-touch is used when both the rechargeable Li-ion battery is installed and the AC adapter is connected, the battery indicator may turn off and charging may stop even if the rechargeable Li-ion battery has not been fully charged.

■ Rechargeable Li-ion Battery Characteristics

Understanding the properties of the rechargeable Li-ion battery will allow you to optimise its usage.

- Using or storing the rechargeable Li-ion battery in a location exposed to high or low temperatures may accelerate its deterioration. In particular, using a rechargeable Li-ion battery with a high charge (charged 90% or more) in a location exposed to high temperatures will considerably accelerate battery deterioration.
- Using the P-touch while the rechargeable Li-ion battery is installed and charging may accelerate the battery's deterioration. If using the P-touch when the rechargeable Li-ion battery is installed, disconnect the AC adapter.
- If the P-touch will not be used for longer than one month, remove the rechargeable Li-ion battery from the P-touch, and then store the battery in a cool place away from direct sunlight.

- If the rechargeable Li-ion battery will not be used for a long period of time, we recommend charging it every 6 months.
- If you touch a part of the device while a Li-ion battery is charging, the device may feel warm. This is normal, and the device may be used safely. If the P-touch becomes extremely hot, discontinue use.

■ Rechargeable Li-ion Battery Specifications

- Charging time: Approximately 6 hours when charged by a AC adapter (AD-E001).
- Nominal Voltage: DC 7.2 V
- Nominal Capacity: 1850 mAh

Rechargeable Li-ion Battery

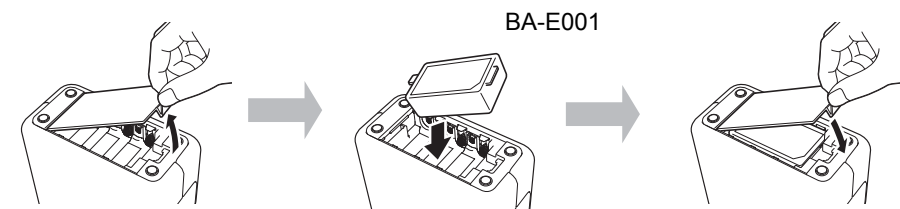
Surroundings temperature range		
Charge		40°C
Standard discharge current 1.9 A		60°C
Maximum discharge current 2.5 A		60°C
Shipped battery	Less than 1 month	-20°C - 50°C
	Less than 3 month	-20°C - 40°C
	Less than 1 year	-20°C - 20°C

Charging Parameters	
Maximum charging voltage	8.2 Vdc
Maximum charging current	1330 mA

P-touch

- Charging current: 800 mA
- Charging voltage: up to 8.2 V (Maximum)

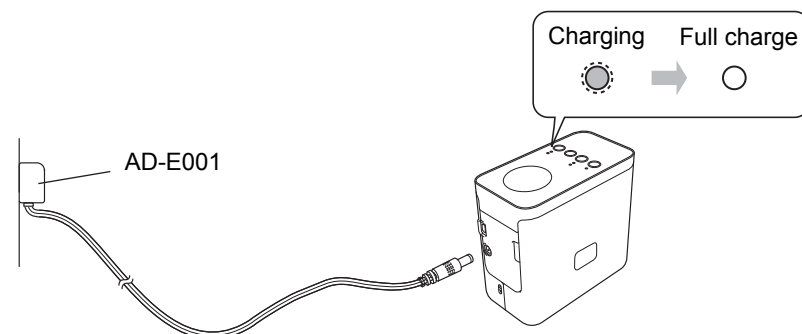
■ Installing the Rechargeable Li-ion Battery



To remove the rechargeable Li-ion battery, reverse the installation procedure.

■ Charging the Rechargeable Li-ion Battery

The rechargeable Li-ion battery can be charged while it is installed in the P-touch. Perform the following procedure to charge the rechargeable Li-ion battery.



NOTE

Up to 6 hours is needed to fully charge the rechargeable Li-ion battery.

■ Stopping the Rechargeable Li-ion Battery Charging

To stop the rechargeable Li-ion battery from charging, disconnect the AC adapter cord.



Brother support website



support.brother.com/g/d/d5p4

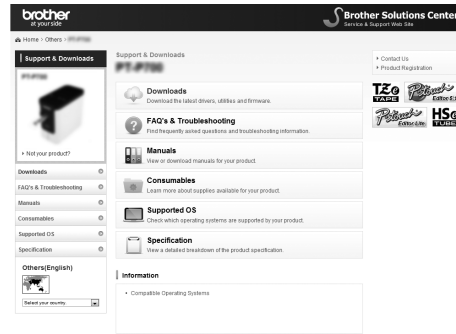
Please visit our Support website.

You can find following information:

- Software download
- Manuals/Documents
- Frequently Asked Questions (Troubleshooting, Useful tips on using printer)
- Consumable information and the latest OS compatibility information.

You can also see setup steps on the website.

Click the "Getting ready to use your printer." link in the "information" section.

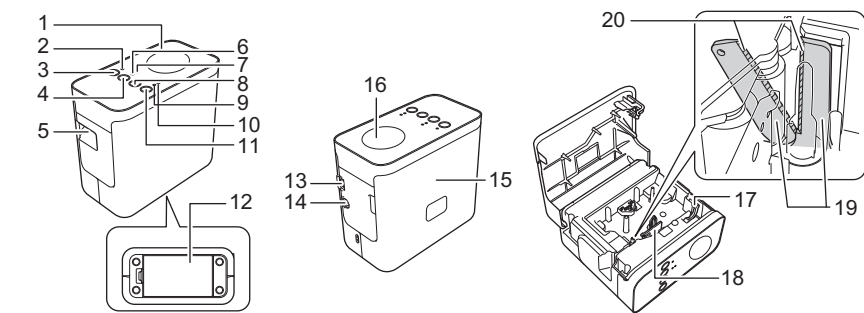


The contents of this website are subject to change without notice.

1 Unpacking the P750W and Parts Description

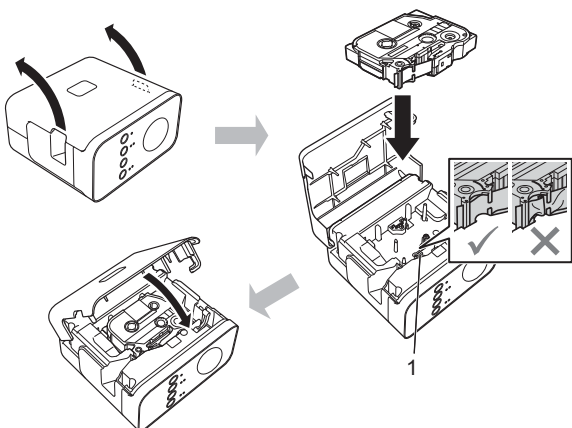
Check that the package contains the following before using the P-touch. If any item is missing or damaged, contact your Brother reseller.

- P750W
- AC adapter (AD-E001)
- USB cable
- Rechargeable Li-ion Battery (BA-E001)
- Starter tape cassette



- | | | |
|------------------------|-------------------------|-------------------|
| 1 Top panel | 8 Feed & Cut button | 15 Cassette cover |
| 2 Editor Lite lamp | 9 Status lamp | 16 NFC tag |
| 3 Editor Lite button | 10 Battery lamp | 17 Release lever |
| 4 Wireless mode button | 11 Power button | 18 Print head |
| 5 Tape exit slot | 12 Battery cover | 19 Tape cutter |
| 6 Wi-Fi lamp | 13 Mini-USB port | 20 Cutter blade |
| 7 NFC lamp | 14 AC adapter connector | |

2 Setting the Tape Cassette



CAUTION

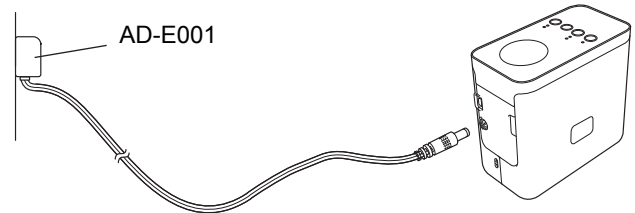
If you cannot close the cassette cover, check to ensure the white lever is in the up position. If not, lift the lever, and then attach the cover.

NOTE

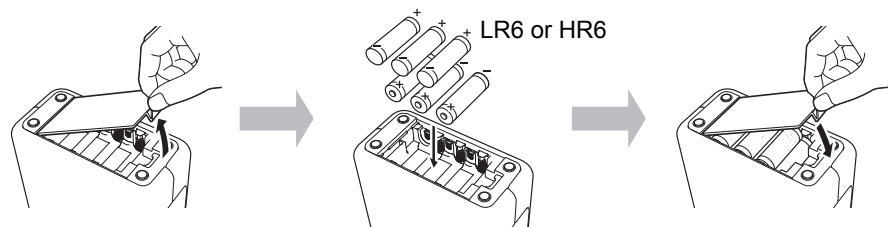
- Make sure that there is no slack in the tape.
- When setting or removing the tape cassette, make sure that the tape does not catch on the protrusion (1) or the print head.

3 Connecting the Power Supply

Using the AC adapter



Using the batteries



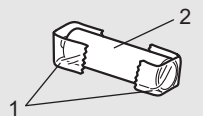
To remove the batteries, reverse the installation procedure.

CAUTION

- Remove the batteries if you do not intend to use the P-touch labelling system for an extended period of time.
- Dispose of the battery at an appropriate collection point, not in the general waste stream. In addition, be sure to observe all applicable federal, state, and local regulations.
- When storing or discarding the battery, wrap it (for example with cellophane tape), to prevent it from short-circuiting.

(Battery insulation example)

1. Cellophane tape
2. Alkaline or Ni-MH battery



4 Turning the P-touch On or Off

On: Press the Power button.

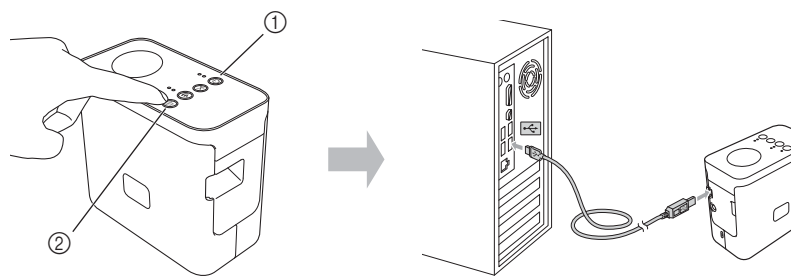
Off: Press and hold the Power button until the Status lamp is lit in orange.

NOTE

When turning the P-touch off, keep the AC adapter connected or the batteries installed until the Status lamp goes off.

5 Creating a Label using P-touch Editor Lite

1. Turn on the P-touch (①), then press and hold down the Editor Lite button until the green Editor Lite lamp lights up (②). Connect the USB cable to the computer and PT-P750W.



NOTE

If you are connecting the P-touch via a USB hub, it may not be detected correctly.

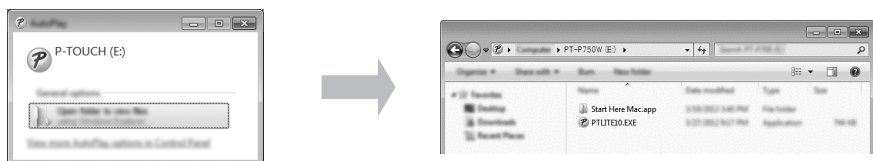
2. After the USB cable is connected, a dialog box appears on the computer display. (The following screens may differ depending on the operating system on your computer.)

For Windows Vista®

Click [P-touch Editor Lite].

For Windows® 7

Click [Open folder to view files], and then double-click [PTLITE10].



For Windows® 8/ Windows® 8.1

On the [Start] screen, click [PT-P750W], [Open folder to view files], and then double-click [PTLITE10].



For Mac OS X v10.7.5/10.8.x./10.9.x

Double-click [PT-P750W] on the desktop and the [P-touch Editor Lite] application icon.



NOTE

- If you do not see the dialog box, it may be hidden behind an open software program window. Minimize all windows to show the dialog box.
- For details on using P-touch Editor Lite, visit the Brother support website.

■ How to Disconnect the P-touch

For Windows®

1. Exit P-touch Editor Lite by clicking on the **X** in the top right corner of the window if using P-touch Editor Lite.
2. To disconnect the P-touch, click the icon in the computer's task bar (, , or).
3. Click [Safely remove USB Mass Storage Device].
4. When the message indicating that the device can be safely removed is displayed, turn off the P-touch and disconnect the USB cable.

For Macintosh

1. Exit P-touch Editor Lite by clicking on the red button in the top left corner of the window, if using the P-touch Editor Lite.
2. Select [PT-P750W] on the desktop, and then perform one of the following:
 - Select [Eject] from the Context menu.
 - Drag and drop it in the Trash.
3. When a message indicating that the device can be safely removed is displayed, turn off the P-touch and disconnect the USB cable.

■ Brother iPrint&Label

Brother iPrint&Label allows you to use features of your Brother machine directly from your mobile device, without using a computer. Simply search for "Brother iPrint&Label" in the App Store or Google Play™.

6 Downloading P-touch Editor, and Printer Driver



www.brother.com/inst

More advanced editing functions are available by downloading the printer driver and P-touch Editor from our support site, and installing them.

Features of P-touch Editor:

Makes it easy for anyone to create a wide variety of custom labels in complex layouts by using fonts, templates, and clip art.

7 LED lamps

The lamp on the P-touch indicates the current operating condition.

	Lamp	Condition
Wi-Fi	Green lamp is lit 	Connected wirelessly.
	Green lamp is flashing 	Not connected wirelessly.
NFC	Not lit 	The Wireless Direct mode is disabled (connections cannot be made).
	Green lamp is lit 	The Wireless Direct mode is enabled (connections can be made).
	Green lamp is lit → Goes off briefly 	An NFC-compatible device was placed near the P-touch (NFC tag data was sent).
	Green lamp is flashing 	The Wireless Direct settings are being configured (the user is connecting a device).
STATUS	Green lamp is lit 	Power is ON.
	Green lamp is flashing 	Receiving data from the computer. Transferring data.
	Orange lamp is lit 	The cassette cover is open. Close the cassette cover correctly. Starting the reset procedure, or the Feed & Cut button was pressed during the reset procedure. For details on resetting the P-touch, see "How to Reset the P-touch".
	Orange lamp is flashing 	Cooling (Wait for the temperature to cool down) Reset in progress. For details on resetting the P-touch, see "How to Reset the P-touch".
	Red lamp is lit 	The P-touch is booting.
	Red lamp is flashing 	Indicates one of the following errors. Red lamp flashes for 0.9 second intervals: <ul style="list-style-type: none"> • No tape cassette • Incorrect tape cassette installed • Incompatible tape cassette installed • The cassette cover was opened during printing • Transmission error • Overheating error • Cutter error Red lamp flashes for 0.3 second intervals: <ul style="list-style-type: none"> • System error
	Not lit 	Charging is complete. The battery is fully charged.
Battery	Orange lamp is lit 	Charging.
	Orange lamp is flashing 	Orange lamp flashes slowly: The remaining battery level is half or low (the lamp flashes faster as the remaining battery level decreases). Orange lamp flashes for 0.5 second intervals: Charge the battery.

■ How to Reset the P-touch

With the P-touch off, press and hold the Feed & Cut button while holding down the Power button. When the Editor Lite lamp starts flashing and the Status lamp lights orange, press the Feed & Cut button six times while continuing to hold down the Power button. The P-touch will be reset to the factory settings.