

P-touch

# H107/H108

## User's Guide

English

With your P-touch H107/H108, you can create labels for multiple applications. Select from the many frames, character sizes and styles to design beautiful custom labels. In addition, the variety of tape cassette available allows you to print labels with different widths and exciting colours.

Read this manual carefully before you begin and keep the manual in a handy place for future reference.

Ver. 02

### Safety Precautions

**WARNING** Indicates a potentially hazardous situation which, if not avoided, could result in death or serious injuries.

Follow these guidelines to avoid the risk of fire, burns, injury, electric shocks, rupture, overheating, abnormal odours or smoke.

- Do not touch the P-touch during a lightning storm.
- Do not use the P-touch in places of high humidity (such as bathrooms).
- Do not allow the P-touch batteries to get wet, for example, by handling them with wet hands or spilling beverages onto them.
- Since loss of eyesight may result when leaked fluid from batteries gets into your eyes, immediately rinse your eyes with a large amount of clean water, and then seek medical attention.
- Do not disassemble or modify the P-touch batteries.
- Do not allow a metal object to contact both the plus and minus ends of a battery.
- Do not use sharp objects, such as tweezers or a metallic pen, to change the batteries.
- Do not throw the batteries into fire or expose to heat.
- Remove batteries immediately and stop using the P-touch if you notice abnormal odour, heat, discoloration, deformation or anything unusual while using or storing it.
- Do not use a damaged or leaking battery as the fluid may get on your hands.
- Do not use a deformed or leaking battery or one with a damaged label. There is a possibility of generating heat.

### CAUTION

Indicates a potentially hazardous situation which, if not avoided, may result in minor or moderate injuries.

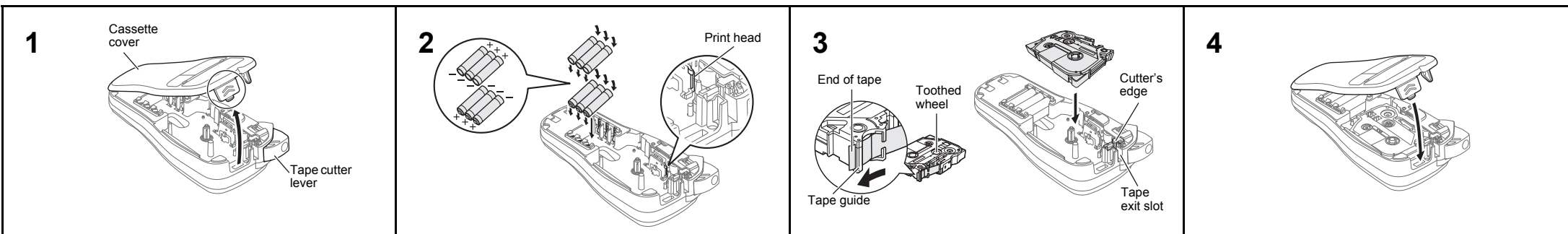
Follow these guidelines to avoid personal injury, liquid leakage, burns or heat.

- When the P-touch is not being used, store it out of the reach of children. In addition, do not allow children to put P-touch parts or labels in their mouths. If any object has been swallowed, seek medical attention.
- Do not touch metal parts near the print head immediately after printing.
- Do not touch the cutter blade.
- If leaked fluid from batteries gets onto your skin or clothes, immediately rinse them with clean water.
- Remove the batteries if you do not intend to use the P-touch.
- Do not use a battery other than that specified. Do not use combinations of old and new batteries or combinations of different types, different charging levels, different manufacturers or different models. Do not insert a battery with its plus and minus ends reversed.
- Do not drop or hit the P-touch.
- Do not press on the LCD display.
- Do not put your finger inside the P-touch when you close the cassette cover.
- Before using Ni-MH rechargeable batteries, carefully read the instructions for the batteries and battery charger, and be sure to use them correctly.
- When using Ni-MH rechargeable batteries, charge the batteries with a specialized battery charger before using the batteries.

### General Precautions

- Depending on the location, material, and environmental conditions, the label may unpeel or become irremovable, the colour of the label may change or be transferred to other objects. Before applying the label, check the environmental conditions and the material.
- Do not use the P-touch in any way or for any purpose not described in this guide. Doing so may result in accidents or damage to the P-touch.
- Use only Brother TZe tapes with the P-touch. Do not use tapes that do not have the TZe mark.
- Only use a soft, dry cloth to clean the P-touch; never use alcohol or other organic solvents.
- Use a soft wipe to clean the print head; never touch the print head directly.
- Do not put any foreign objects into any part of the P-touch.

## Power Supply and Tape Cassette



**1** Open the cassette cover by pressing the above indicated area at the top end of the P-touch.

If a tape cassette is already installed, remove it by pulling it straight up. Also, if batteries are already installed, remove them.

- Make sure that the power is turned off when replacing batteries or tape cassettes.

**2** Insert six new AAA alkaline batteries (LR03) or fully charged Ni-MH batteries (HR03), making sure that their poles point in the correct directions.

**Users of alkaline batteries:**

**Always replace all six batteries at the same time with brand new ones.**

**Users of Ni-MH batteries:**

**Always replace all six batteries at the same time with fully charged ones.**

**3** Insert a tape cassette, making sure that it snaps into place.

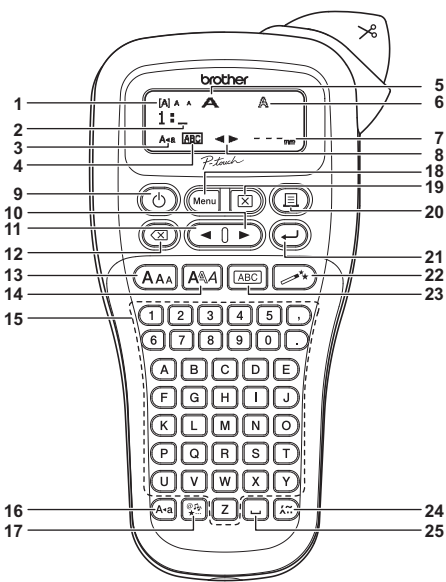
- Make sure that the end of the tape feeds under the tape guides.
- Use only Brother TZe tapes with P-touch.

**4** Securely close the cassette cover, making sure that it snaps into place.

#### NOTE

Visit us at <http://support.brother.com/> for the latest information about the recommended batteries.

## LCD Display & Keyboard



- Size
- Cursor
- Caps
- Underline/Frame
- Width
- Style
- Label Length
- Guidance (left, right)
- Power key
- Cursor key : Right
- Cursor key : Left
- Backspace key
- Size key
- Style key
- Character keys
- Caps key
- Symbol key
- Menu key
- Clear key
- Print key
- Enter key
- Auto Designs function key
- Frame key
- Accent key
- Space key

#### NOTE

- The LCD shows one row of 12 characters; however, the text that you enter can be up to 80 characters in length.
- While selecting the settings, press the Space key to go back to the default item.

- The print preview is a generated image of the label, and may differ from the actual label when printed.
- Label length shown on LCD may slightly differ from the actual label length when printed.

## Specifications

**Dimensions:** (W x D x H) Approx. 110(W) x 208(D) x 59(H)mm

**Weight:** Approx. 390 g (without batteries and tape cassette)

**Power supply:** Six AAA alkaline batteries (LR03)  
Six AAA Ni-MH batteries (HR03)\*1

**Tape cassette:** Brother TZe tape (width) 3.5mm, 6mm, 9mm, 12mm

\*1 Visit us at <http://support.brother.com/> for the latest information about the recommended batteries.

## Initial Settings

**1 Start your P-touch.**

Supply power by using six AAA batteries, and then press

**2 Set the language.**



**3 Set the unit of measurement.**

The default setting is [mm].



#### NOTE

- The P-touch automatically turns off if no keys are pressed within five minutes.
- To cancel any operation, press

## Troubleshooting

### Error message

Message	Cause/Remedy
Low Battery!	The batteries are weak. If using AAA alkaline batteries: Replace them with new ones. If using Ni-MH batteries: Charge them fully.
Battery Dead	The installed batteries have expired.
Invalid!	An invalid number was entered as the label length. (This is not displayed in Auto Designs).
No Text!	<ul style="list-style-type: none"> <li>You tried to print a text file when there is no data stored in the memory.</li> <li> is pressed when no text is entered.</li> <li>You tried to select Text Preview or Cable Label when no text is entered.</li> <li> was pressed when no text was entered while using the DECO MODE or Auto Designs.</li> </ul>
Line Limit!	<ul style="list-style-type: none"> <li>You tried to enter a 3rd line by pressing .</li> <li>You tried to print or preview two lines of text while 3.5mm or 6 mm tape is installed. Install tape of a larger size.</li> </ul>
No Cassette!	You tried to print a label when there is no cassette installed.
Cutter Error	The tape cutter lever was used during the printing process.

Message	Cause/Remedy
Text Full!	The maximum number of characters (80 characters for regular text, 50 characters for Auto Designs and DECO MODE) have already been entered.
Text Limit!	With the DECO MODE function: Since the number of entered characters exceeds the label length, reduce the text. All other functions: Since the number of entered characters exceeds the label length, reduce the text or select [Auto] as the label length.
No Frame OK?	Printing on 3.5mm tape with invalid Frame setting ON. (Select  to print with no Frame,  to cancel).
OK to Feed?	Feeding tape after printing when [Chain Print] is selected. Refer to "Setting Margin".
Insert 12mm	Only 12mm tapes are available for use with DECO MODE function.
Wrong Tape!	Use a tape cassette with the TZe mark.

### What to do when...

Problem	Solution
The display stays blank after you have turned on the P-touch.	<ul style="list-style-type: none"> <li>Check that the batteries are correctly inserted.</li> <li>If the batteries are weak, replace them.</li> </ul>
When the label is printed out, the margin(space) is too large on both sides of the text.	<ul style="list-style-type: none"> <li>See "Setting Margin" in this users guide and select [Half] or [Narrow] to have smaller margins for your label.</li> </ul>
The P-touch does not print, or the printed characters are not formed properly.	<ul style="list-style-type: none"> <li>Check that the tape cassette has been inserted correctly.</li> <li>If the tape cassette is empty, replace it.</li> <li>Check the cassette cover is properly closed.</li> </ul>
The setting has cleared on its own.	<ul style="list-style-type: none"> <li>If the batteries are weak, replace them.</li> <li>When power is disconnected for more than three minutes, all text &amp; formats in the display will be lost. Language and Unit settings will also be cleared.</li> </ul>
A blank horizontal line appears through the printed label.	<ul style="list-style-type: none"> <li>There may be some dust on the print head. Remove the tape cassette and use a dry cotton swab to gently wipe the print head with an up-and-down motion.</li> <li>The print head can be cleaned more easily if the optional print head cleaning cassette (TZe-CL3) is used.</li> </ul>

Problem	Solution
The P-touch has "locked up" (i.e., nothing happens when a key is pressed, even though the P-touch is on).	<ul style="list-style-type: none"> <li>Refer to "Resetting the P-touch".</li> </ul>
The power turns off when you try to print.	<ul style="list-style-type: none"> <li>The batteries may be weak. Replace them.</li> <li>Check that the batteries are correctly inserted.</li> <li>If the batteries are weak, replace them.</li> </ul>
The tape does not feed properly or the tape gets stuck inside the P-touch.	<ul style="list-style-type: none"> <li>Check that the end of the tape feeds under the tape guides.</li> <li>The cutter lever is used while printing. Do not touch the cutter lever during printing.</li> </ul>
All text and format settings need to be cleared to create a new label.	<ul style="list-style-type: none"> <li>Press  and select [Text&amp;Format].</li> </ul>
The LCD is set to an incorrect language.	<ul style="list-style-type: none"> <li>Refer to "Initial Settings".</li> </ul>

