



QL-1100

Quick Setup Guide (English)

Thank you for purchasing the QL-1100!

Read the *Product Safety Guide* first, then read this *Quick Setup Guide* for the correct setup procedure. After reading this guide, keep it in a safe place for quick reference.

NOTE

- The information provided in this document is subject to change without notice.
- Unauthorised duplication or reproduction of any or all content of this document is prohibited.

To download and install printer drivers and software, visit our website.

install.brother

For more information on installing the drivers and software, see the *Install Printer Drivers and Software on a Computer* section in this guide.

Available Manuals

■ Product Safety Guide

This guide provides safety information; read it before you use the printer.

■ Quick Setup Guide (this guide)

This guide provides basic information about using the printer, along with troubleshooting tips.



■ User's Guide

When downloading the installer from install.brother, the folder "Brother Manual" is created on your computer desktop and the *User's Guide* is saved there.



This guide provides additional information about printer settings and operations, troubleshooting tips, and maintenance instructions.

In addition, you can download individual manuals that you need from the Brother Solutions Center. Visit the Brother Solutions Center at support.brother.com and click **Manuals** on your model page to download the other manuals.

Available Computer Applications

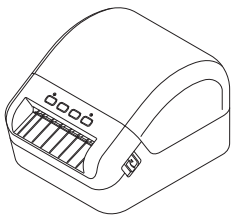
Applications	Features	Computer	Connection	Reference
P-touch Editor 	Label creation software for computers. This application comes with built-in drawing tools that allow you to print a wide variety of custom labels in complex layouts with text of different fonts and styles, frames, imported images, barcodes, etc. The P-touch Editor application and printer drivers must be installed. (<u>install.brother</u>) For more information, see the <i>Install Printer Drivers and Software on a Computer</i> section in this guide. See the <i>User's Guide</i> for guidance on using P-touch Editor.	Windows / Mac	USB	See section 7. <i>Use the Printer with a Computer (P-touch Editor)</i> in this guide.
P-touch Editor Lite 	Label creation software for computers. With P-touch Editor Lite, there is no need to install an application or printer drivers. Simply connect a USB cable to your label printer. This application allows you to create and print simple labels with text, frames and images.	Windows	USB	See section 8. <i>Use the Printer with a Computer (P-touch Editor Lite) (Windows only)</i> in this guide.

Available Mobile Device Apps

Applications	Features	Mobile Device	Connection	Reference
Brother iPrint&Label 	This application allows you to create and print labels using templates on a smartphone, tablet or other mobile device directly to your printer.	Android™ device	USB	See section 9. <i>Use the Printer with a Mobile Device</i> in this guide.
Mobile Transfer Express 	This application allows you to use a mobile device to download databases and label data (created on a computer with P-touch Editor and saved to a cloud service), and send them to your printer.			

1. Unpack the Printer

Check that the package contains the following items before using the printer. If any item is missing or damaged, contact your Brother dealer.



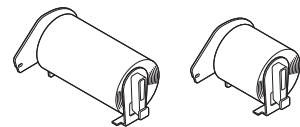
Printer



AC Power Cord
(The plug may differ by country)



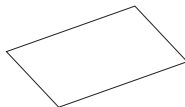
USB Cable



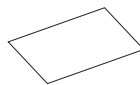
DK Roll (starter roll)



Product Safety Guide



Quick Setup Guide



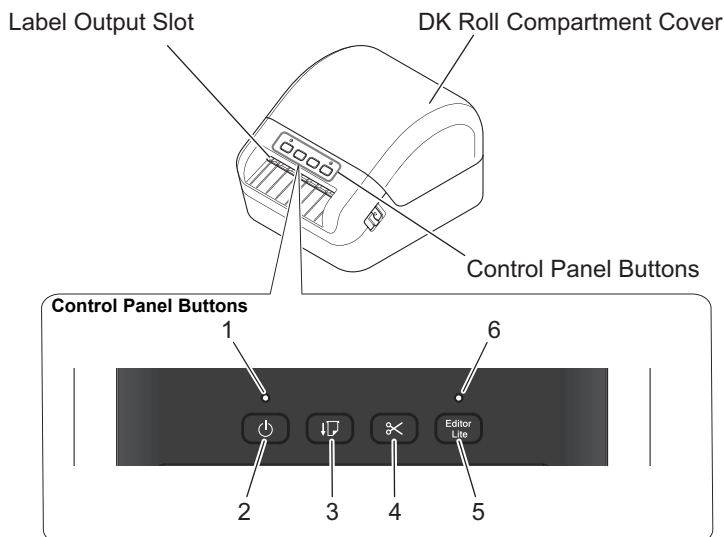
DK Label & Tape Guide

NOTE

- The Brother QL-1100 includes the following two starter rolls:
- One starter roll of DK Die-cut 103 mm x 164 mm (40 labels)
 - One starter roll of DK Continuous Length Black (62 mm)

2. Parts Description

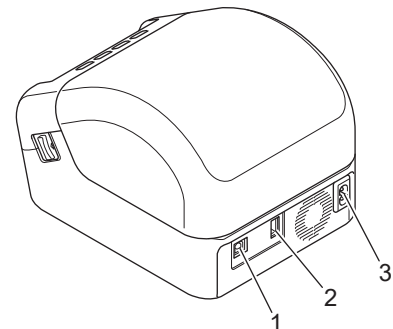
■ Front



1. Status LED
2. Power Button
3. Feed Button

4. Cutter Button
5. Editor Lite Button
6. Editor Lite LED

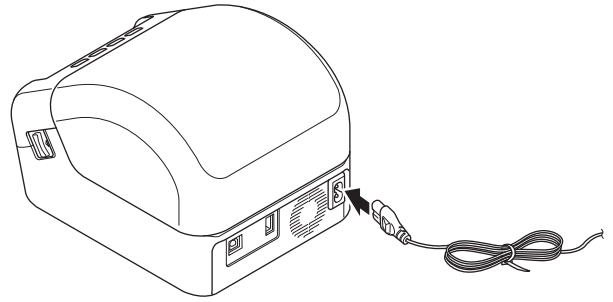
■ Rear



1. USB Port
2. USB Host Port
3. AC Power Port

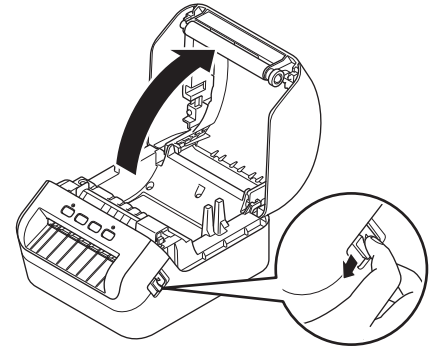
3. Connect the Power Cord

Connect the AC Power Cord to the printer. Then, plug the AC Power Cord into an earthed electrical socket.



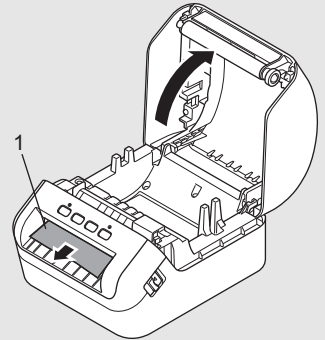
4. Load the DK Roll

1. Make sure that the printer is turned Off.
2. Pull the release levers on both sides of the printer to unlock the DK Roll Compartment Cover. Hold the printer by the front, and firmly lift the DK Roll Compartment Cover to open it.

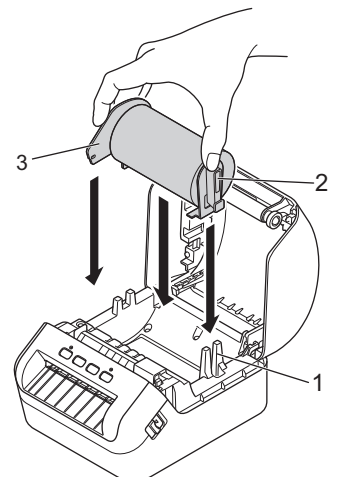


⚠ IMPORTANT

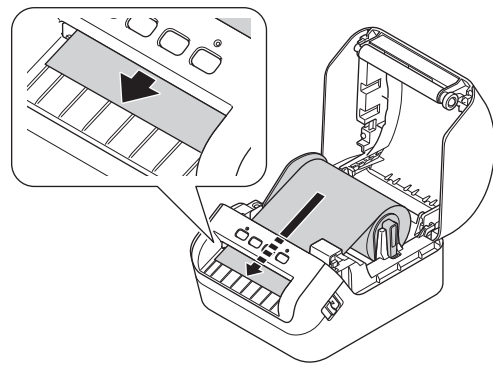
Before using the printer, remove the protective sheet (1) from the Label Output Slot.



3. Place the DK Roll into the Roll Spool Guide (1).
 - Make sure that the Roll Spool Arm (2) is inserted firmly in the Roll Spool Guide.
 - Make sure the Stabiliser (3) slides into the notch of the printer.

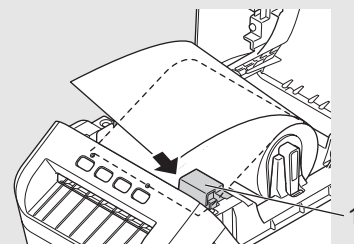


- 4.** Thread the DK Roll through the printer.
- Align the edge of the DK Roll with the upright edge of the Label Output Slot.
 - Check that the DK Roll is threaded straight so that the labels will not be skewed.
 - Push the first label through the Label Output Slot until the end comes out of the Slot as shown.

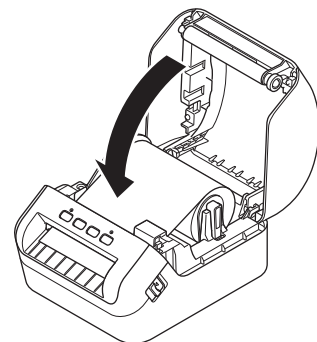


 **NOTE**

If you have difficulty inserting the front of the roll, simple insertion is possible by inserting from the side under the sensor (1).



- 5.** Close the DK Roll Compartment Cover.



 **IMPORTANT**

- Do not leave any printed labels in the printer. Doing so will cause the labels to jam.
- When not in use, remove any DK Rolls from inside the printer and close the DK Roll Compartment Cover to prevent dust and debris from accumulating in the printer.

5. Turn Power On/Off

On: Press the Power (⏻) Button to turn the printer On. The Status LED turns green.

 **IMPORTANT**

Press the Feed (⏪) Button to align the end of the DK Roll.

Off: Press and hold the Power (⏻) Button again to turn the printer Off.

 **IMPORTANT**

When turning the printer Off, do not disconnect the AC Power Cord until the orange Status LED turns Off.

6. LED Indicators

The indicators light and flash to indicate the printer status.

Status LED	Condition
Not lit	Power Off
Steady green light	The printer is in one of the following modes: <ul style="list-style-type: none">• Idle mode• Initialising mode• Feeding mode• Printing mode• Cutting mode
Flashing green light	The printer is doing one of the following: <ul style="list-style-type: none">• Receiving data• Cancelling the print job
Steady orange light	<ul style="list-style-type: none">• The DK Roll Compartment Cover is open. Close the DK Roll Compartment Cover correctly.• Reset mode is on.• The Cutter (✂) Button was pressed while resetting. For more information on resetting the printer, see the <i>User's Guide</i>.• System Off mode
Flashing orange light	If the orange light flashes at 0.5 second intervals: Cooling mode
Steady red light	Boot mode Contact Brother customer service.
Flashing red light	If the red light flashes at one second intervals, one of the following errors has occurred: <ul style="list-style-type: none">• Roll end error• No media error• Wrong media error• Feed error• Cover open error• Transferred data error• Memory full error
	If the red light flashes at a rate of one second off, rapidly* on, rapidly off, rapidly on, then one of the following errors has occurred: <ul style="list-style-type: none">• Cutter error• USB host power supply excessive voltage error• USB host unsupported device connection error
	If the red light flashes at a rate of one second off, rapidly* on, rapidly off, rapidly on, rapidly off, rapidly on, then the USB host hub connection error has occurred. To identify the cause of the error, press a button other than the Power (⏻) button. The flash pattern will change, indicating the cause of the error. Contact Brother customer service.

* "Rapidly" means at 0.3 second intervals.

NOTE

See the *Troubleshooting* section in this guide for tips on how to fix errors.

7. Use the Printer with a Computer (P-touch Editor)

Install Printer Drivers and Software on a Computer

To print from your Windows® computer or Mac, install the printer drivers, P-touch Editor, and other applications on your computer.

For Windows®:

Printer Driver, P-touch Editor, P-touch Update Software and Printer Setting Tool

For Mac:

Printer Driver, P-touch Editor, P-touch Update Software, and Printer Setting Tool

IMPORTANT

When printing with P-touch Editor, press and hold the P-touch Editor Lite Button until the green Editor Lite LED turns Off.

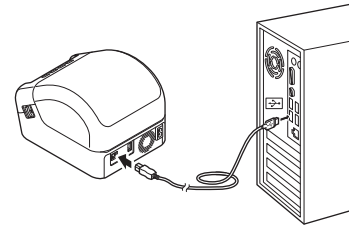
1. Visit the website (install.brother) and download the Software Installer for the latest software and manuals.
2. Double-click the downloaded EXE file (for Windows®) or DMG file (for Mac), and follow the on-screen instructions to proceed with the installation.
3. Close the dialog box when the installation is complete.

Connect the Printer to a Computer

You can connect the printer to a Windows computer or Mac using a USB cable.

Connect Using USB

1. Before connecting the USB cable, make sure that the printer is turned Off.
2. Connect the USB cable to the USB port on the back of the printer and on the computer.
3. Turn the printer On.



NOTE

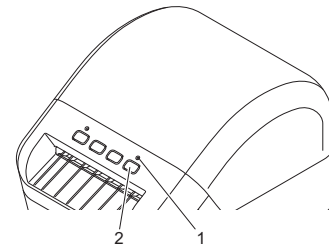
For more information, see the *User's Guide*.

8. Use the Printer with a Computer (P-touch Editor Lite) (Windows only)

1. Turn the printer On, then press and hold the P-touch Editor Lite Button until the green P-touch Editor Lite LED turns On.

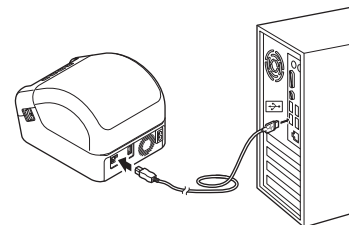
NOTE

P-touch Editor Lite is set to Off as the default mode.



1. Editor Lite LED
2. Editor Lite Button

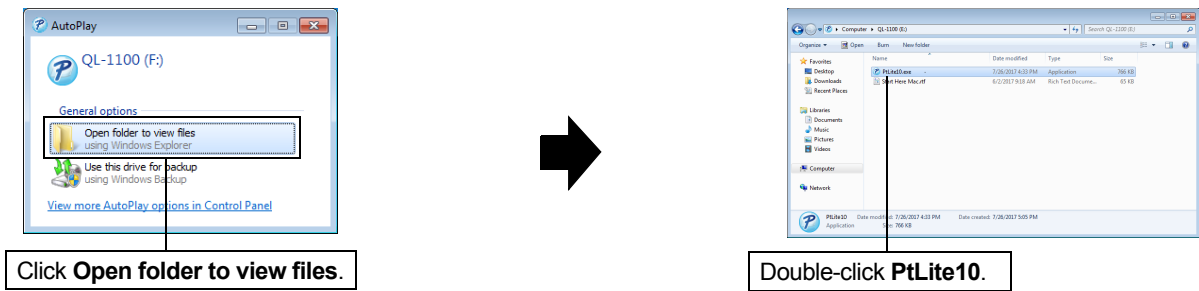
2. Connect the USB cable to your computer.



NOTE

If you are connecting the printer using a USB cable, it may not be detected correctly. If this happens, unplug the USB cable, make sure the printer is On, and then reconnect the USB cable.

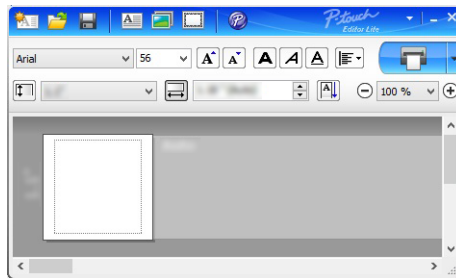
3. After the USB cable is connected, a dialog box appears on your computer monitor. (The following screens may differ depending on your operating system, but the operating procedures are the same.)



NOTE

- If you do not see the dialog box, it may be hidden behind an open software program window. Minimise all windows to view the dialog box.
- It will take longer than usual to start P-touch Editor Lite when connecting the printer to your computer for the first time. If the software does not start automatically when you connect the printer, launch it from **My Computer**. Start P-touch Editor Lite by double-clicking **PtLite10.EXE**.

4. P-touch Editor Lite launches.



IMPORTANT

Do not turn Off or disconnect the printer while using P-touch Editor Lite.

NOTE

- For more information and instructions on how to use P-touch Editor Lite, see the *User's Guide*.
- P-touch Editor Lite is not available for Mac.

9. Use the Printer with a Mobile Device

Install Label-Printing Apps on a Mobile Device

You can use your printer as a stand-alone printer or connect it to a mobile device. To create and print labels directly from your mobile device, install the Brother mobile applications, and then connect your printer to your mobile device with the USB cable for your Android mobile at hand.

Download these free Brother apps from Google Play:

- Brother iPrint&Label
- Mobile Transfer Express

Print from a Mobile Device

1. Start the mobile printing application on your mobile device.

NOTE

Make sure that the printer is connected to your mobile device. See the *Install Label-Printing Apps on a Mobile Device* section in this guide.

2. Select a label template or design.

NOTE

You can also select a previously designed label or image and print it.

3. Tap [Print] in the application menu.

Specifications

■ Product specifications

Items	Specifications
Printing method	Direct thermal printing via thermal head
Interface	USB
Size	Approx. 170 mm (W) x 151 mm (H) x 222 mm (D)
Weight	Approx. 1715 g (without DK Rolls)

■ Operating environment

Items	Specifications
Operating temperature	10°C to 35°C
Operating humidity	20% to 80% (Maximum wet-bulb temperature 27°C)

Troubleshooting

Problem	Solution
The Status LED is not lit.	<ul style="list-style-type: none">■ Check that the AC Power Cord is inserted. If it is inserted correctly, try plugging it into another electrical socket.
The printer does not print, or a printing error is received.	<ul style="list-style-type: none">■ Check that the USB cable is connected securely.■ If not, remove the DK Roll and reinstall it.■ Check that there is enough DK Roll remaining.■ Check that the DK Roll Compartment Cover is closed.■ Turn the printer Off and then turn it On again. If there is still a problem, contact Brother customer service.■ If the printer is connected via a USB hub, try connecting it directly to the computer. If not, try connecting it to another USB port.
A data transmission error appears on the computer.	<ul style="list-style-type: none">■ Check that the correct port is selected from the "Print to the following port" list in the Printer Properties dialog box.■ Wait until the Status LED stops flashing and then try printing again.
The label is not ejected correctly after printing.	<ul style="list-style-type: none">■ Check that the Label Output Slot is not blocked.■ Check that the DK Roll is set correctly by removing the DK Roll and reinstalling it.■ Ensure that the DK Roll Compartment Cover is closed correctly.
Labels are jammed in the cutter.	<ul style="list-style-type: none">■ Contact Brother customer service.
Cutter error	<ul style="list-style-type: none">■ If a cutter error occurs, keep the DK Roll Compartment Cover closed and press the Power (⏻) Button. The cutter moves back to the normal position and the printer turns off automatically. After the printer is Off, check the Label Output Slot and remove any jammed labels.
After exiting P-touch Editor Lite, how do I restart the program while the printer is still on?	<p>There are three ways to restart:</p> <ul style="list-style-type: none">■ Turn the printer Off and then turn it On again.■ Disconnect and then reconnect the USB cable while the printer is On.■ Launch P-touch Editor Lite from My Computer.
I want to reset an error	<p>To reset an error:</p> <ol style="list-style-type: none">1. Open the DK Roll Compartment Cover, and then close it.2. If the error is not reset, press the Cutter (✂) Button.3. If the error is not reset, turn off the printer, and then turn it on again.4. If the error is not reset, contact Brother customer service.

Software Development Kit

A Software Development Kit (SDK) is available. Visit the Brother Developer Center (brother.com/product/dev).

The b-PAC SDK and the SDKs for mobile devices (Android only) can also be downloaded. (The SDKs available are subject to change without notice.)