



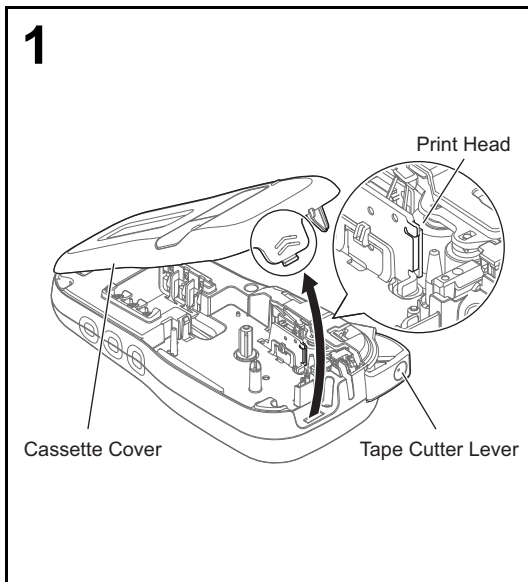
# PT-H111 Quick Setup Guide

## English

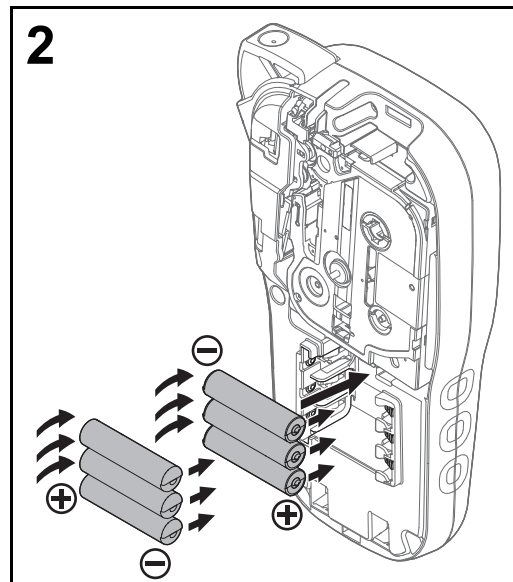
Thank you for purchasing a Brother P-touch Pro label maker!  
 Use your new Brother P-touch Pro label maker to create a wide variety of custom, self-adhesive labels.  
 This P-touch Pro label maker uses Brother TZe Tape Cassettes. TZe Tape Cassettes are available in many colors and sizes.  
 For a complete list of Tape Cassettes compatible with your P-touch Pro label maker, visit us at: [support.brother.com](http://support.brother.com).  
 Please read this guide, and the included Product Safety Guide, before using this P-touch Pro label maker. After reading this guide, keep it in a safe place.

### 1 GETTING STARTED

#### Installing Power Supply and Tape Cassette



With the LCD facing down, open the Cassette Cover by pressing the grooved tab and pushing in the direction of the arrow, as illustrated.



When replacing batteries or Tape Cassettes, make sure the power is turned off. This P-touch Pro label maker requires six (6) AAA alkaline batteries or six (6) fully-charged Ni-MH batteries, not included.

### Specifications

**Dimensions:** 4.3" x 8.0" x 2.2" (Approx. 109 (W) x 202 (D) x 55 (H) mm)  
**Weight:** Approx. 0.9 lb. (Approx. 400 g) (without batteries and Tape Cassette)  
**Power supply:** Six AAA alkaline batteries (LR03) Six AAA Ni-MH batteries (HR03)\*1 Optional AC Adapter (AD-24)  
**Tape Cassette:** Brother P-touch TZe tape widths: \*2 0.13" (3.5 mm), 0.23" (6 mm), 0.35" (9 mm), and 0.47" (12 mm)  
**Cutter Unit:** TC-4 (replacement)

\*1 Visit [support.brother.com](http://support.brother.com) for the latest information about the recommended batteries.  
 \*2 Visit [support.brother.com](http://support.brother.com) for a list of available Brother P-touch tapes.

If you have questions or need information about your Brother product, please visit us online or call.

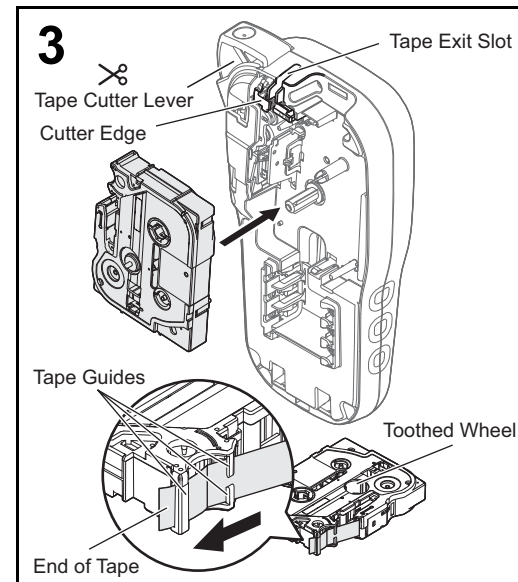
For FAQs, Troubleshooting, and Manuals, visit [support.brother.com](http://support.brother.com).

To order supplies and accessories, visit [support.brother.com](http://support.brother.com) or call 1-877-552-6255

For USA Customer Service, call 1-877-BROTHER (1-877-276-8437) Fax: 1-901-379-1210

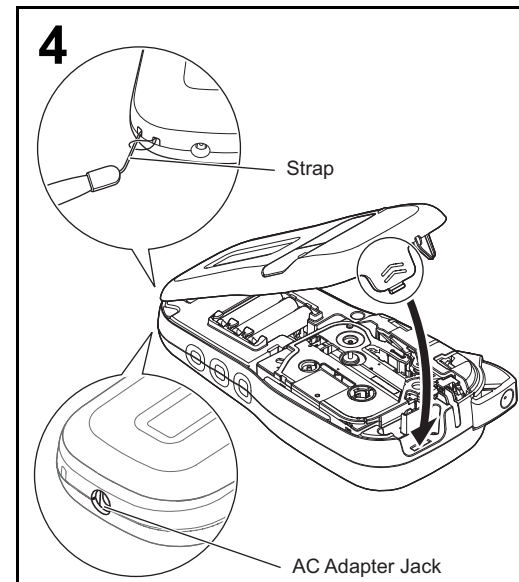
#### CAUTION

USING A COMBINATION OF DIFFERENT BATTERIES (SUCH AS ALKALINE WITH NI-MH), MAY RESULT IN AN EXPLOSION. DISPOSE OF USED BATTERIES ACCORDING TO THE INSTRUCTIONS.



Insert the Tape Cassette following the drawing marked inside the case. Gently press the Tape Cassette into the P-touch Pro label maker until it locks into place.

- Make sure your Tape Cassette is marked .
- Use Brother TZe tapes with this machine.
- Press the Tape Cutter Lever to cut the tape.
- Use only tape widths of 0.13" (3.5 mm), 0.23" (6 mm), 0.35" (9 mm), or 0.47" (12 mm).
- Remove any protective plastic from the Tape Cassette before inserting it.



Close the Cassette Cover and gently press until it locks into place.

#### NOTE

If you prefer to use the optional AC Adapter (AD-24) instead of using batteries:

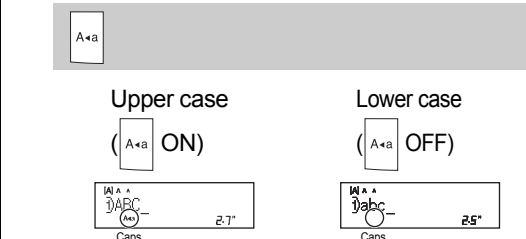
1. Insert the Power Adapter cord into the AC Adapter Jack on the side of the P-touch Pro label maker.
2. Insert the Power Adapter into an AC electrical outlet.

### 2 BASIC USAGE

#### Entering Text

You can enter a maximum of 80 characters and spaces for a text label.  
 To cancel any operation, press .

#### Switching Upper Case / Lower Case



#### Entering Accented Characters



The order of accented characters varies based on the language you selected.

#### Clearing Text and Settings

To delete individual letters and spaces, press .

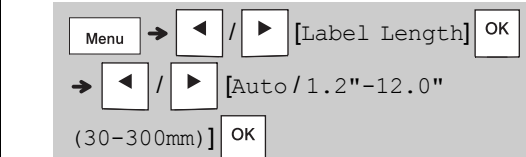
To delete all text:



To delete all text and settings:



#### Changing Label Length



#### NOTE

- The lock symbol appears when you set a specific tape length.
- To return to the default length (Automatic, based on text length), press the **Space** key.

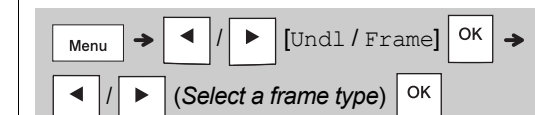
#### Text Key

##### Changing Text Settings



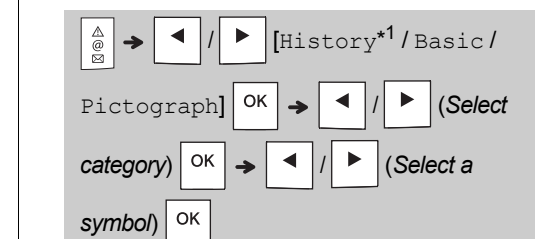
#### Underline and Frame

Emphasize text using underlines or a frame.



#### Symbols Key

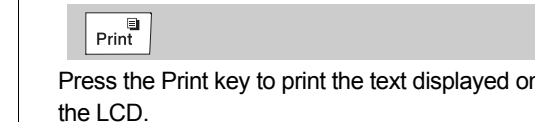
##### Entering Symbols



\*1 Select History to view up to seven recently-used symbols.

#### Printing Labels

##### Printing



##### Feeding (Tape Feed)

- This function feeds approximately 1" (25mm) of blank tape.
- Do not pull uncut tape from the Tape Cassette as this may damage the Tape Cassette.

For information on using tabs, saving label files, and printing multiple labels see the User's Guide at [support.brother.com](http://support.brother.com).

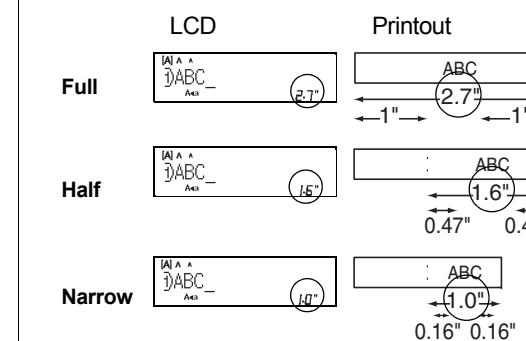
#### Printing Labels (continue)

##### Setting Margins



##### [Full] / [Half] / [Narrow]

Use one of these options to customize margin length before and after your text.  
 The printed dots (·) indicate the end of the label.  
 Cut along the printed dots (·) with scissors.



##### [Chain Print] (tape-saving option)

Use this option to print multiple different labels with narrow margins. This option saves tape.

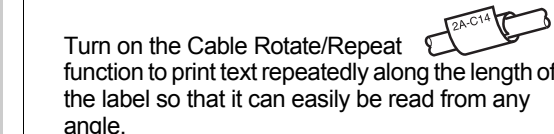
1. Enter your text.
2. Press .
3. When appears on the LCD, press to change the text.
4. Clear the text, enter the text you want on the next label, and then press .
5. After your last label prints, when appears on the LCD, press .

#### NOTE

- When you use feed the tape before pressing the Tape Cutter Lever + , otherwise part of the text may be cut off.
- Do not pull the tape, as this may damage the Tape Cassette.
- The printed dots (·) indicate the end of the label. Cut along the printed dots (·) with scissors.

#### Cable Wrap

Use this function to create a label that can be wrapped around a cable or wire.



Turn on the Cable Rotate/Repeat function to print text repeatedly along the length of the label so that it can easily be read from any angle.

To activate the Text Repeat function, press and then select .

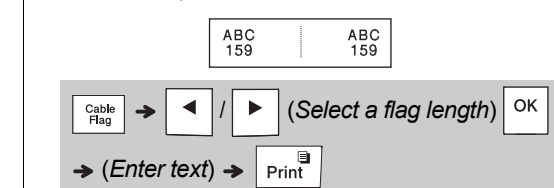


Cable diameter: 0.2" to 3.6" (3 mm to 90 mm)  
 Default: 0.3" (6 mm)

#### Cable Flag

Use this function to create a label that can be wrapped around a cable or wire with its ends pressed together to form a flag.

Specify the length you want, or select to automatically adjust the flag length according to the text length.



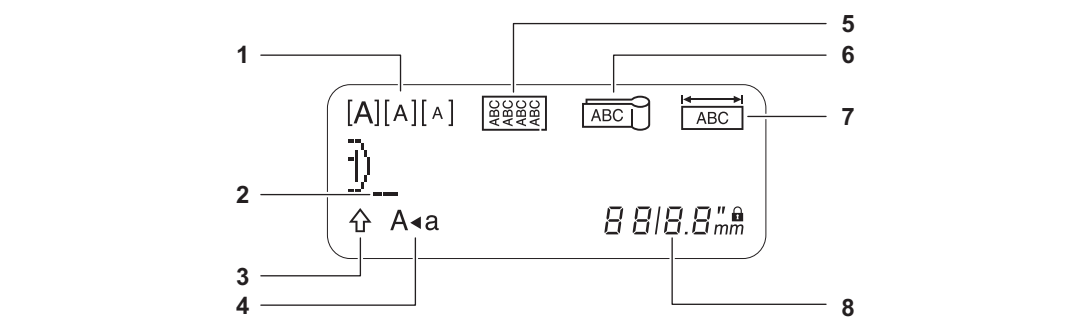
- Flag length: 0.4" to 8.0" (10 mm to 200 mm), Auto Default: Auto

- Use the Cable Flag function when the diameter of the object is more than 0.2" (3 mm).
- Text cannot be rotated when using the Cable Flag function.

#### NOTE

- We recommend using Brother Flexible ID Tape for labels attached to cables and wires.
- To cancel the Cable Wrap/Cable Flag/Faceplate functions during operation, press or or accordingly.

### LCD



1. Size
2. Cursor
3. Shift
4. Caps
5. Cable Wrap
6. Cable Flag
7. Faceplate
8. Label Length

#### NOTE

• The LCD displays one row of 15 characters; however, you can enter up to 80 characters in length.

• Label length displayed on the LCD may differ slightly from the actual label length when printed.

### Initial Settings

#### 1 Turn on your P-touch Pro label maker.

Supply power using six AAA batteries or the optional AC Adapter (AD-24), and then press to turn on the power.

#### 2 Set the language.

The default setting is .



#### 3 Set the unit of measurement.

The default setting is .



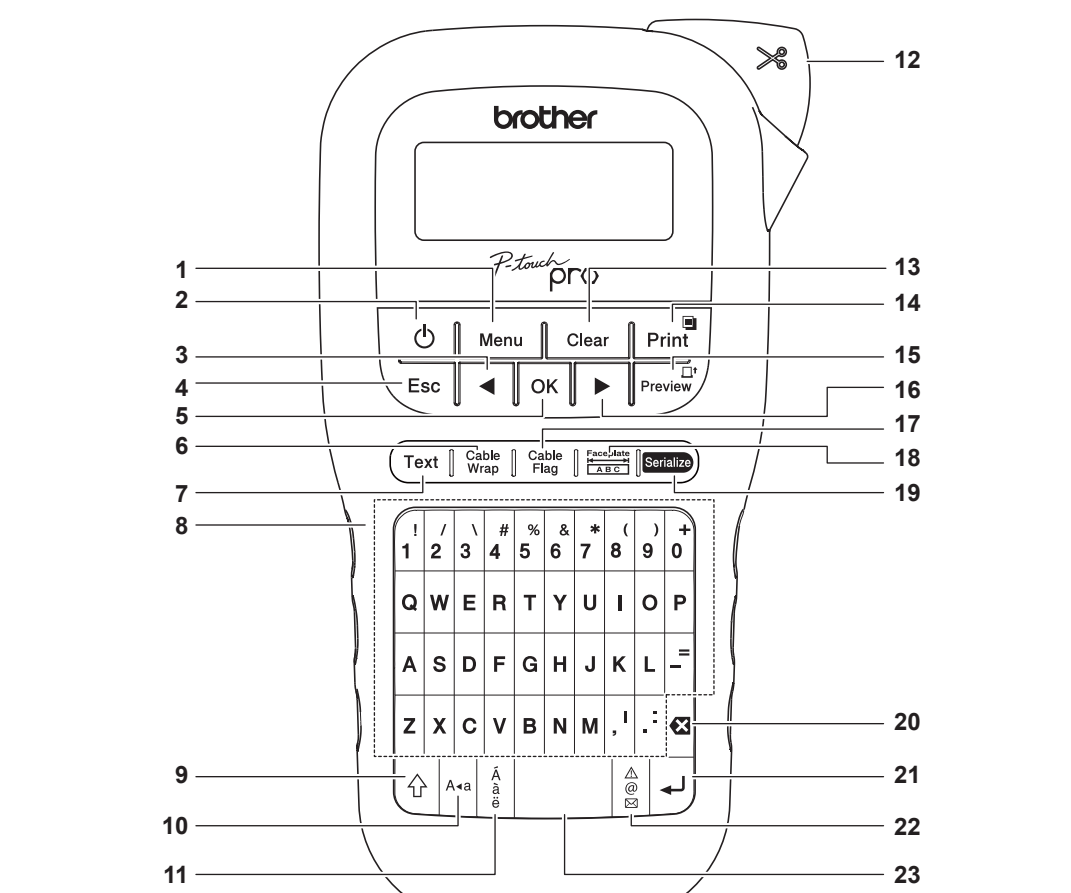
#### NOTE

• The P-touch Pro label maker automatically turns off if it is inactive for five minutes.

• To cancel any operation, press .

• To return to the default setting, press the **Space** key.

### Keyboard



1. Menu key
2. Power key
3. Cursor key: Left (Use with Shift key to go to top of the text.)
4. Escape key
5. OK key
6. Cable Wrap key
7. Text key
8. Character keys
9. Shift key
10. Caps key
11. Accent key
12. Tape Cutter lever
13. Clear key
14. Print key
15. Preview key
16. Cursor key: Right (Use with Shift key to go to end of the text.)
17. Cable Flag key
18. Faceplate key
19. Serialize key
20. Backspace key
21. Enter key
22. Symbols key
23. Space key

#### NOTE

• When selecting settings or lengths, press the **Space** key to return to the default value.

• Pressing the **Preview** key displays a generated image of the label, and may differ from the actual label when printed.

### 3 HELPFUL HINTS

#### Shortcuts

Language	→
Undl/Frame	→
Label Length	→
Margin	→
CableRot/Rpt	→
File	→
Tab	→
Tab Length	→
Unit	→
LCD contrast	→

#### Resetting the P-touch Pro Label Maker

Reset your P-touch Pro label maker when you want to initialize the settings, or in the event it is not working properly. Resetting clears all the text, settings, and stored files.

1. Turn off the P-touch Pro label maker, hold down and , and then press to turn the P-touch Pro label maker back on.

#### 2 First release the power button, and then

release and .

The P-touch Pro label maker turns on with the internal memory reset.

### Troubleshooting

#### Error messages

Message	Cause / Remedy
Battery Low! / Battery Empty!	The batteries are weak. If using AAA alkaline batteries, replace them with new ones (do not use a combination of old and new batteries). If using Ni-MH batteries, charge them fully.
Invalid!	• An invalid number was entered as the label length, tab length, cable diameter, flag length, or faceplate length. • An invalid letter or number to be incremented was selected in the Serialize function.
No Text!	• You tried to print a text file when there is no data stored in the memory. •  is pressed when no text is entered. •  +  is pressed when no text is entered. •  is pressed when no text is entered.
2 Line Limit! / 1 Line Limit!	• You tried to enter a third line by pressing .
No Cassette!	• You tried to print or preview two lines of text while 0.13" (3.5 mm) or 0.23" (6 mm) tape is installed. Install a larger tape size.
	• There is no cassette installed. Install a Tape Cassette with the .

Message	Cause / Remedy
Cutter Pressed	The Tape Cutter Lever was pressed in the middle of the printing process.
Text Full!	The maximum number of characters (80 characters for text) have already been entered.
Text Limit! Change Length	You may have exceeded the set tape length. Reduce the text or select  as the tape length.
Feed OK?	Feeding tape after printing when  is selected. Refer to the <b>Setting Margins</b> section in this guide.
Wrong Tape! Use TZe tape	Use a Tape Cassette with the  mark.

#### NOTE

- Remove the batteries if you do not intend to use the P-touch Pro label maker for an extended period of time.
- Dispose of batteries at an appropriate collection point, not in the general waste stream. Be sure to observe all applicable federal, state, and local regulations.
- When storing or discarding a battery, wrap it with cellophane tape to prevent it from short-circuiting. (see illustration)

1. Cellophane tape
2. Alkaline or Ni-MH battery

Replace all six batteries at the same time. Do not mix old and new batteries when you use the machine.

#### What to do when

Problem	Solution
The display remains blank after turning on. / The power turns off when you try to print.	• Check that the batteries are correctly installed. Refer to the <b>Installing Power Supply and Tape Cassette</b> section. • The batteries may be weak. Replace them. • Check that the Adapter is correctly connected.
When the label is printed, there is too much margin (space) on both sides of the text.	Refer to the <b>Setting Margins</b> section in this guide and select , , or  to have smaller margins for your tape.
The setting has cleared on its own.	• The batteries may be weak. Replace them. • When power is disconnected for more than three minutes, all text and formats in the display settings are cleared.

For more information, see the User's Guide or troubleshooting at [support.brother.com](http://support.brother.com).

#### DON'T FORGET TO REGISTER!

Registering your product will provide purchase confirmation, proof of ownership and, if you choose, allow us to notify you of product enhancements and special offers!  
 You can register online at: [www.registermybrother.com](http://www.registermybrother.com)

#### LIMITED WARRANTY

Product warranty information can be found online at: [www.brother-usa.com/brother-support](http://www.brother-usa.com/brother-support)



